

US00D404596S

United States Patent [19]

Luong et al.

[11] **Patent Number: Des. 404,596**

[45] **Date of Patent: **Jan. 26, 1999**

[54] **OBLONG COCKTAIL TABLE**

D. 384,529 10/1997 Muller D6/480
D. 384,839 10/1997 Muller D6/480

[75] Inventors: **Phuoc H. Luong**, Fountain Valley;
Robinson Ho, Lakewood, both of Calif.

OTHER PUBLICATIONS

[73] Assignee: **Elite Manufacturing Corporation**,
Gardena, Calif.

Ethan Allen, c1992, p. 287, #1 at top left corner.

[**] Term: **14 Years**

Primary Examiner—Janice E. Seeger
Attorney, Agent, or Firm—Stetina Brunda Garred &
Brucker

[21] Appl. No.: **89,479**

[22] Filed: **Jun. 16, 1998**

[57] CLAIM

Related U.S. Application Data

The ornamental design for an oblong cocktail table, as shown and described.

[62] Division of Ser. No. 78,493, Jul. 22, 1997.

DESCRIPTION

[51] **LOC (6) Cl.** **06-03**

[52] **U.S. Cl.** **D6/484; D6/480**

[58] **Field of Search** D6/480-489, 511,
D6/495, 429, 451; 108/153, 155, 156, 157,
161, 184; 248/188, 188.1, 188.7

FIG. 1 is a perspective view of an oblong cocktail table, showing our new design;

FIG. 2 is a top plan view; and,

FIG. 3 is a front elevational view, the rear being identical thereto.

[56] References Cited

U.S. PATENT DOCUMENTS

D. 214,672 7/1969 Ricca D6/480

1 Claim, 1 Drawing Sheet

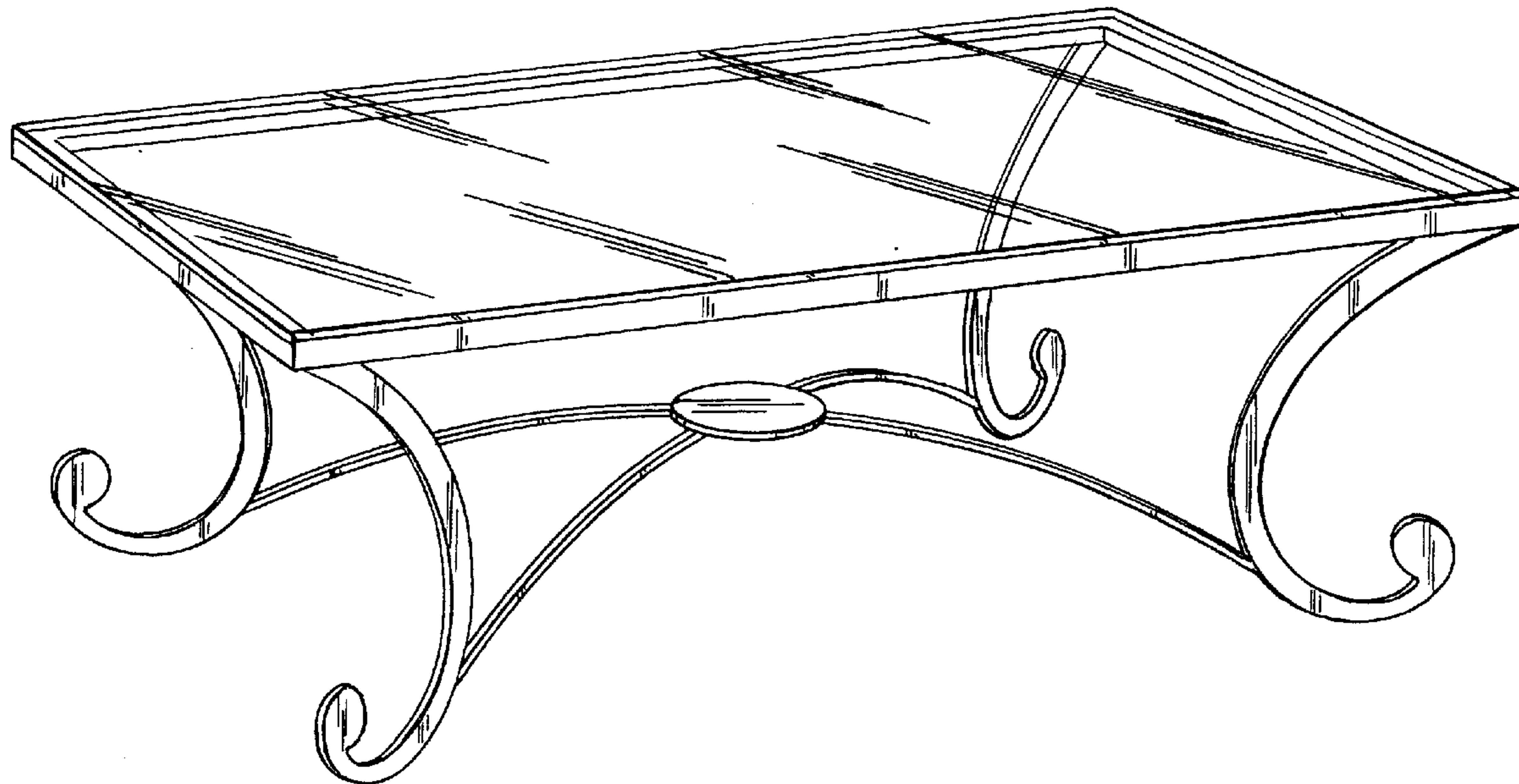


Fig. 1

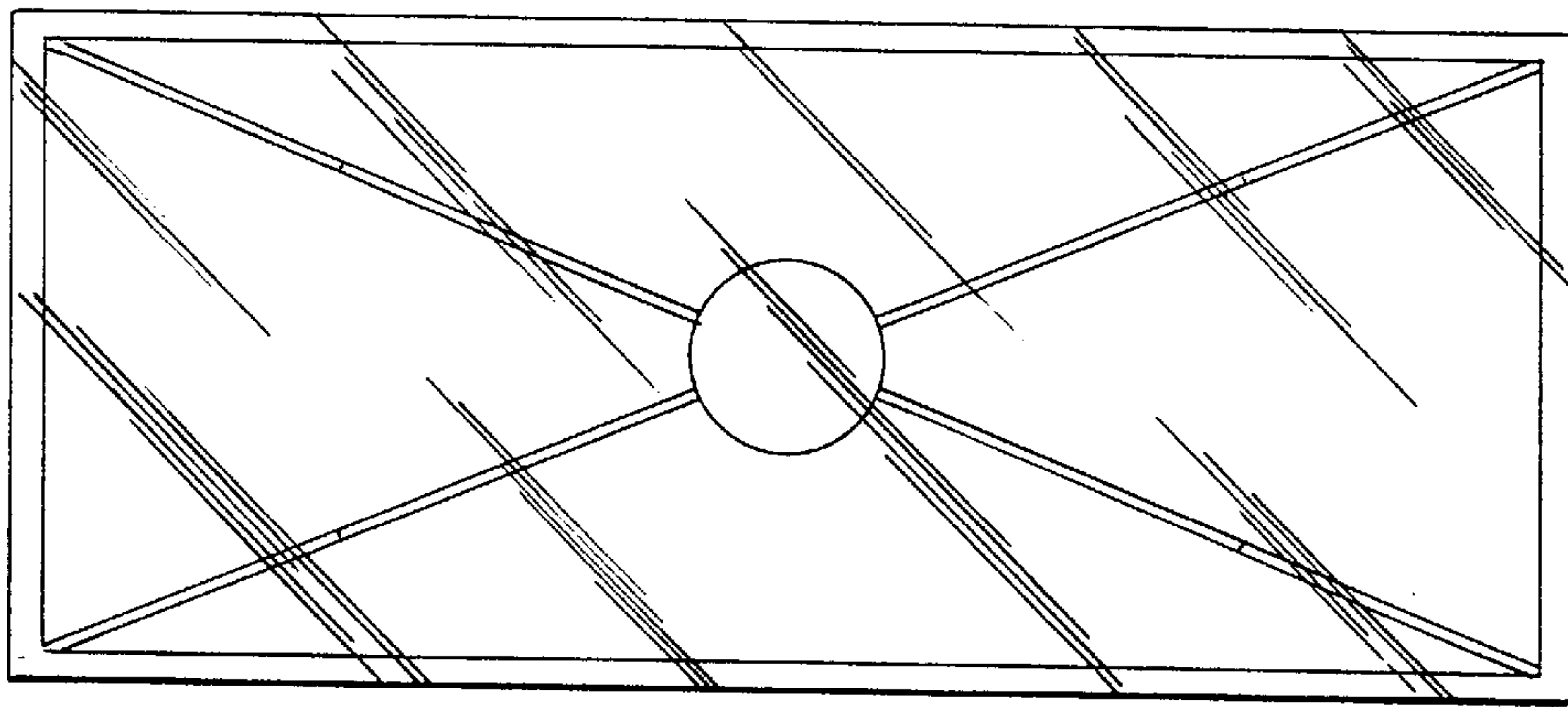
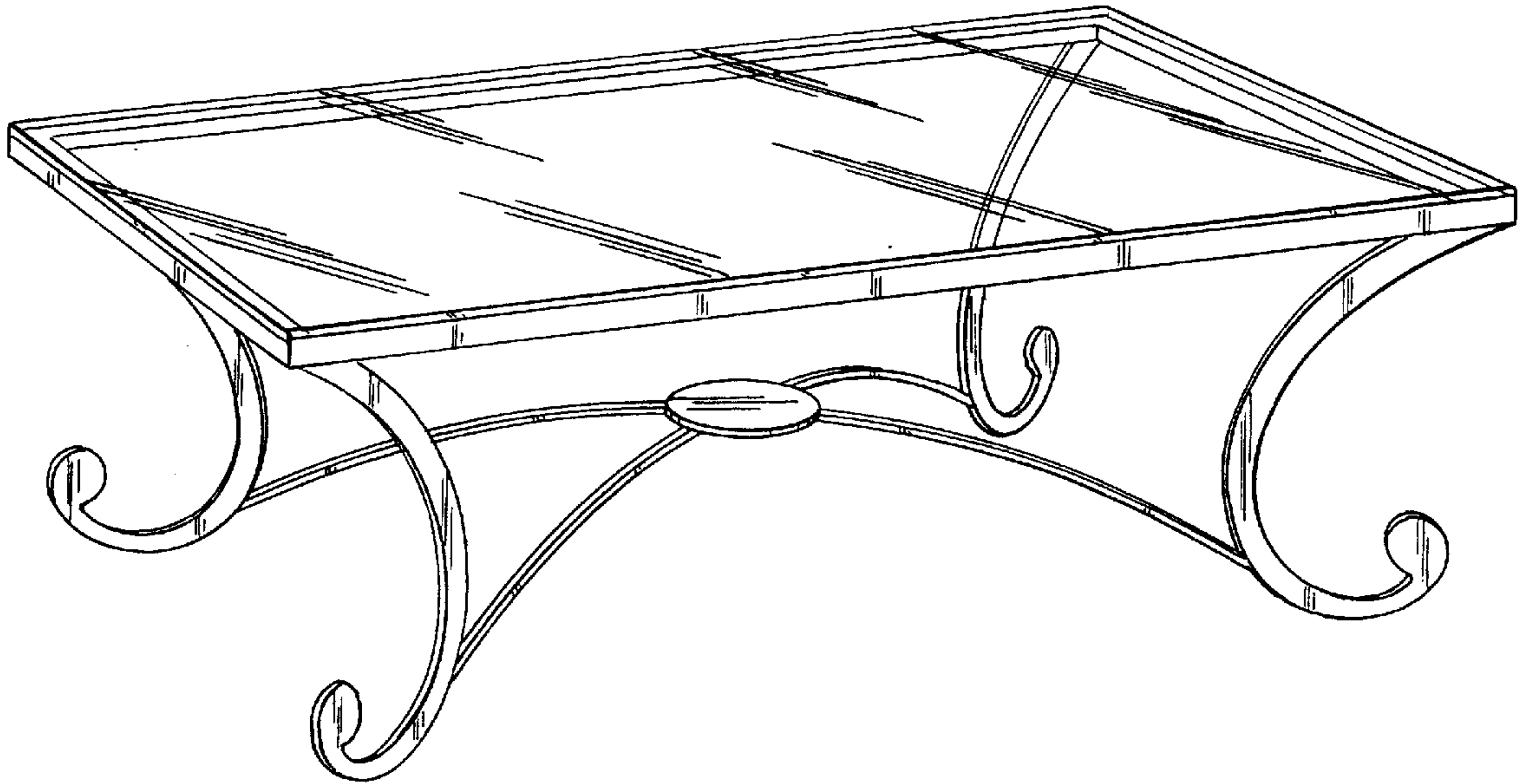


Fig. 2

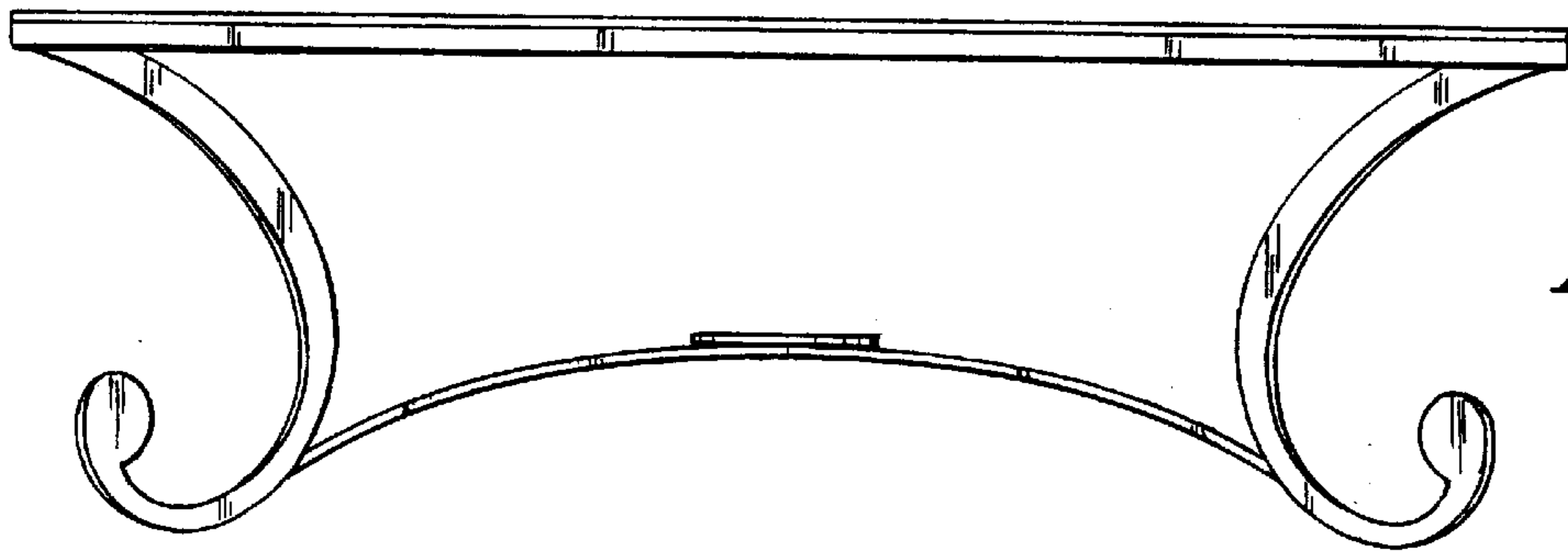


Fig. 3