



US00D404593S

United States Patent [19]
Oltmans

[11] **Patent Number: Des. 404,593**

[45] **Date of Patent: **Jan. 26, 1999**

[54] **TABLE**

[76] Inventor: **Todd W. Oltmans**, 12423 Binney St.,
Omaha, Nebr. 68164

[**] Term: **14 Years**

[21] Appl. No.: **84,687**

[22] Filed: **Mar. 6, 1998**

[51] **LOC (6) Cl.** **06-03**

[52] **U.S. Cl.** **D6/480**

[58] **Field of Search** D6/480-489, 495,
D6/498, 499, 511; 108/153.1, 156, 157.1,
157.16, 161; 248/188.1, 188.8

[56] **References Cited**

U.S. PATENT DOCUMENTS

D. 296,854	7/1988	Kelley et al.	D6/480
D. 349,619	8/1994	Li	D6/499
D. 362,140	9/1995	Pedersen	D6/480
D. 380,915	7/1997	Dadabay	D6/480
D. 386,328	11/1997	Good	D6/480

OTHER PUBLICATIONS

Cappellini, 1994, p. 51, "big wood table".

Primary Examiner—Janice E. Seeger
Attorney, Agent, or Firm—Zarley, McKee, Thomte,
Voorhees & Sease; Dennis L. Thomte

[57] **CLAIM**

The ornamental design for a table, as shown and described.

DESCRIPTION

FIG. 1 is a perspective view of the table showing my new design;

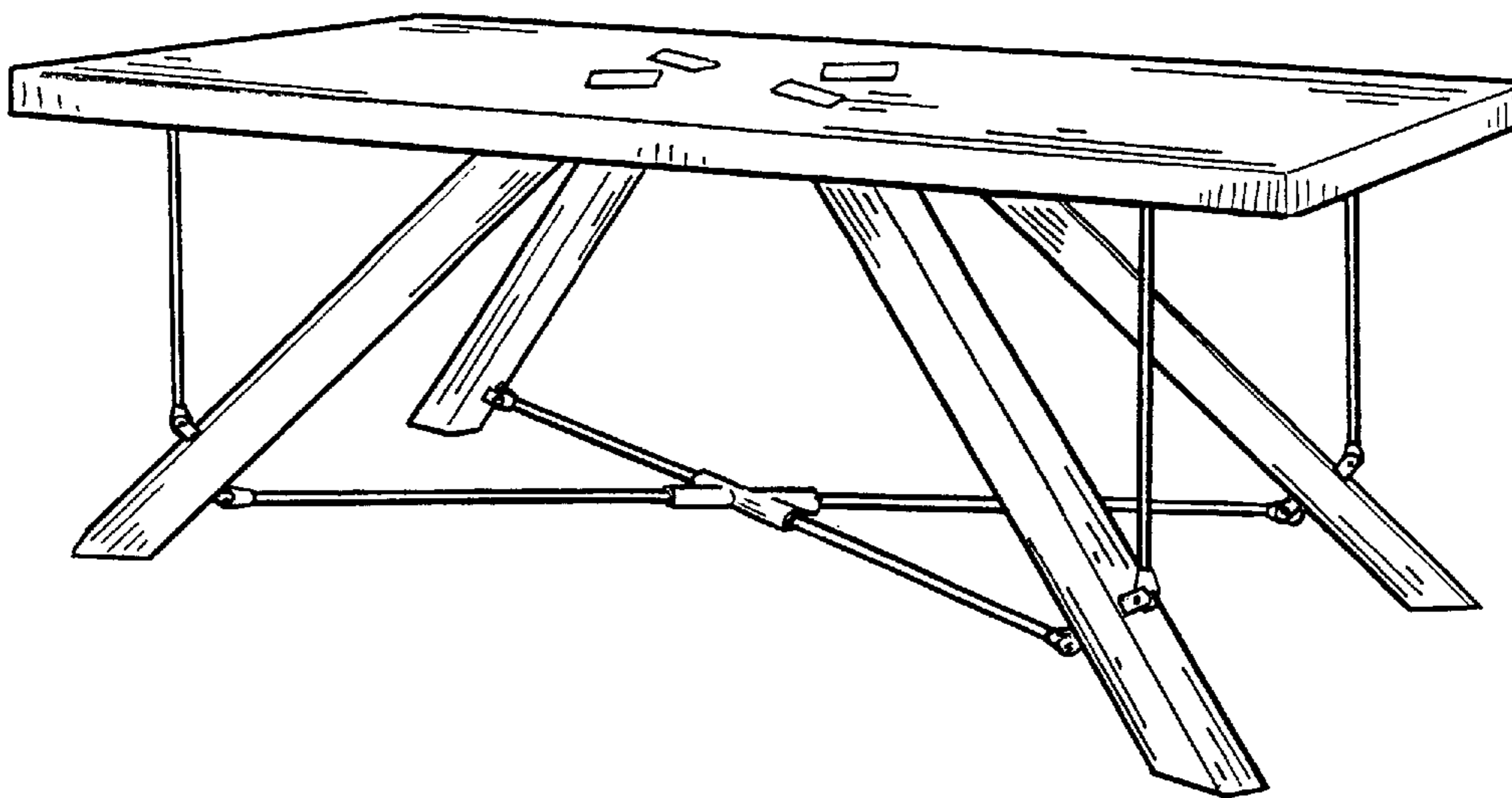
FIG. 2 is a top plan view thereof;

FIG. 3 is a front elevational view thereof, the rear elevational view being a mirror image thereof;

FIG. 4 is an elevational view taken from the right side of FIG. 3, the left elevational view being a mirror image thereof; and,

FIG. 5 is a bottom plan view thereof.

1 Claim, 1 Drawing Sheet



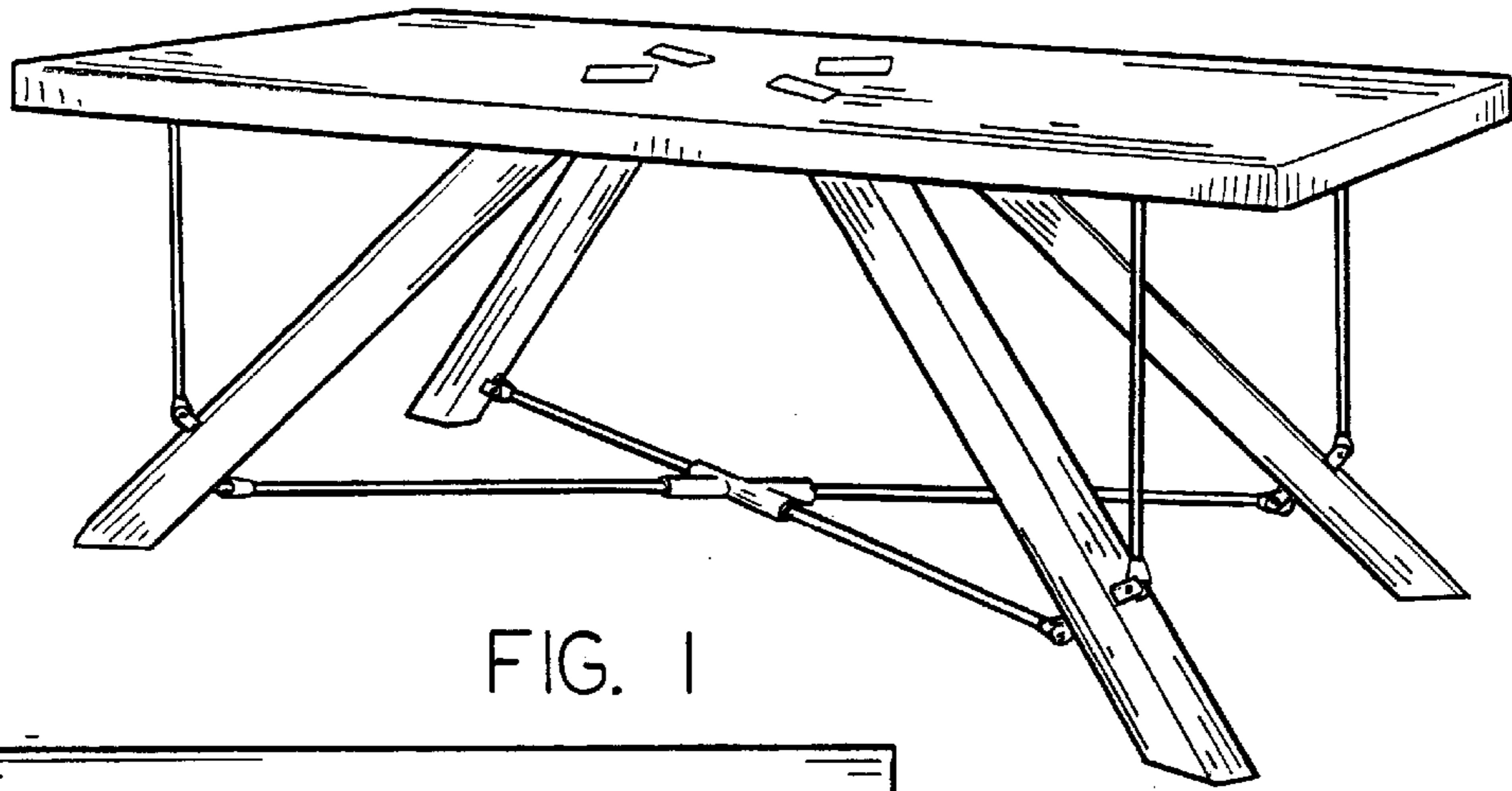


FIG. 1

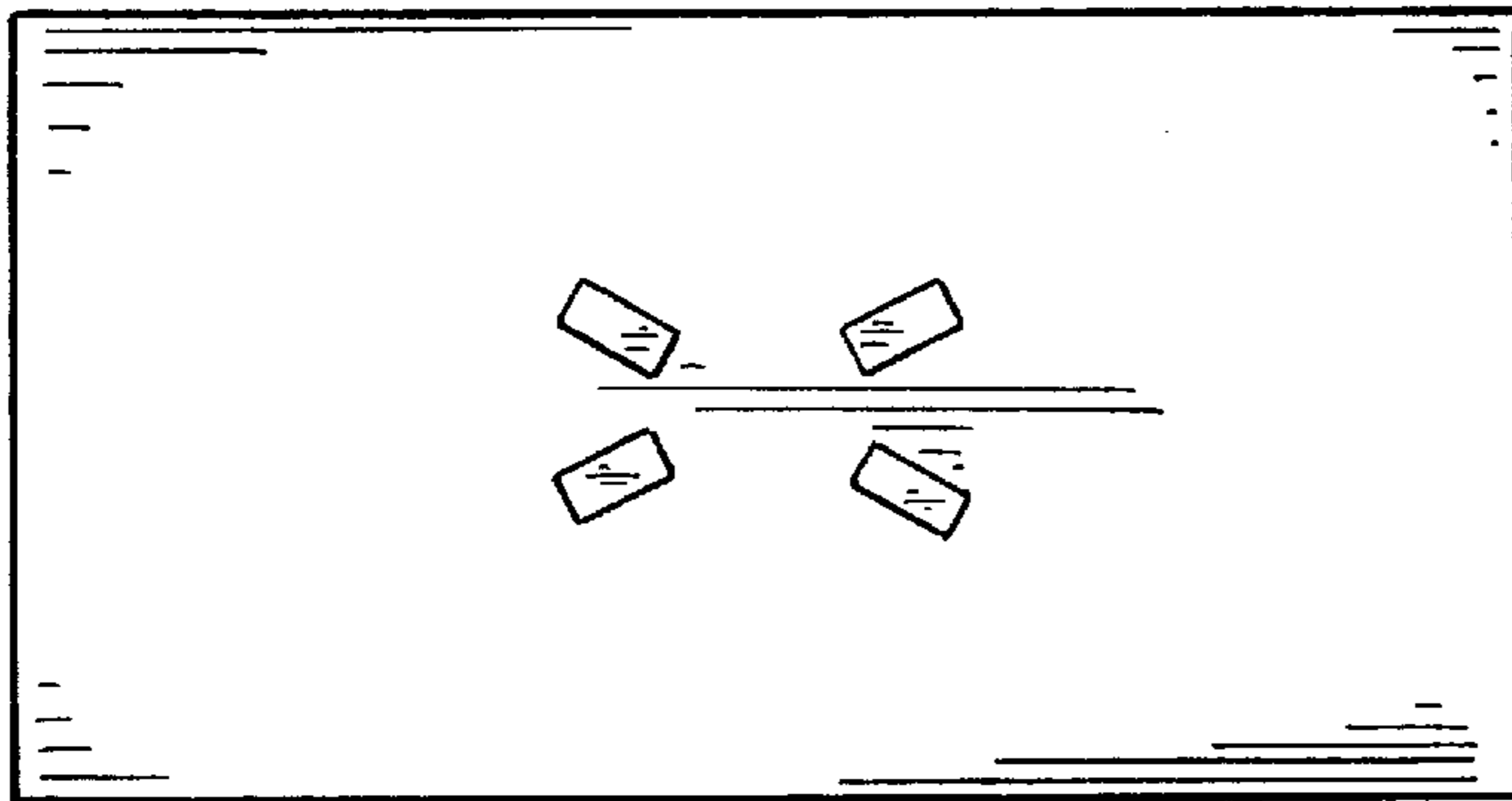


FIG. 2

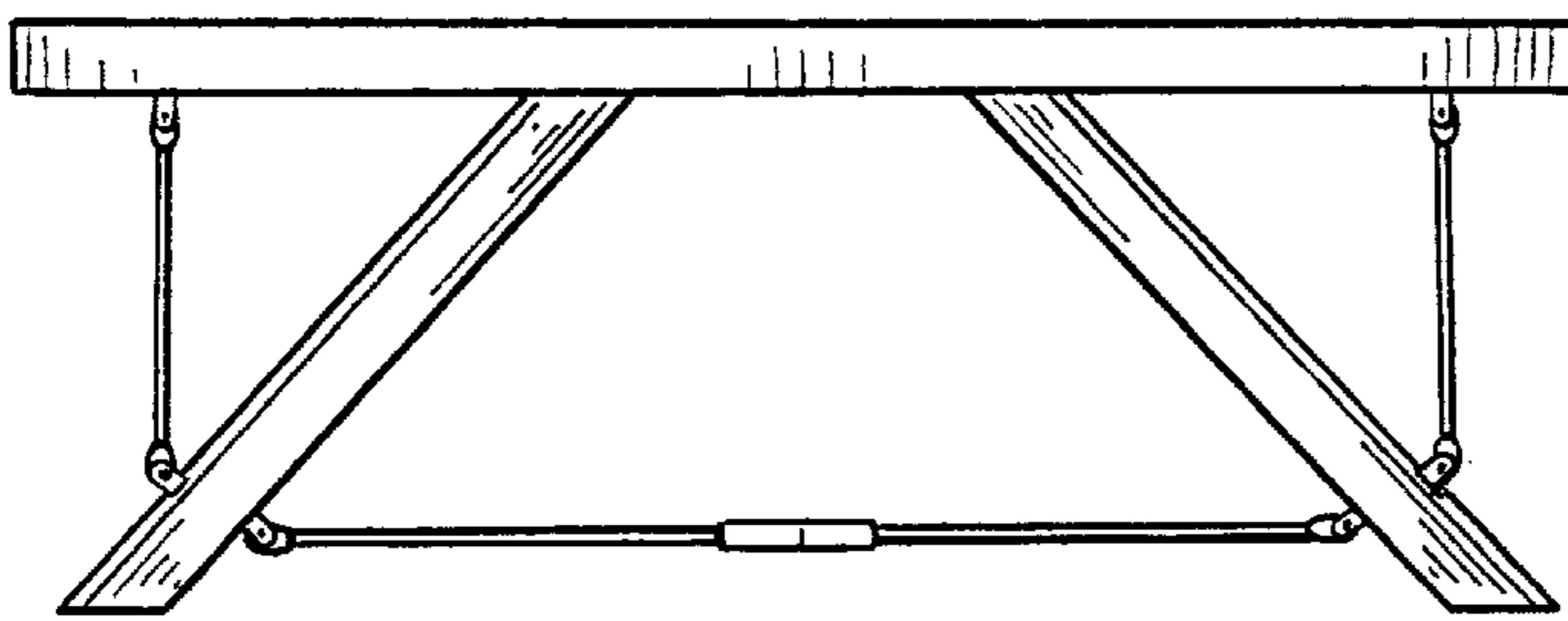


FIG. 3

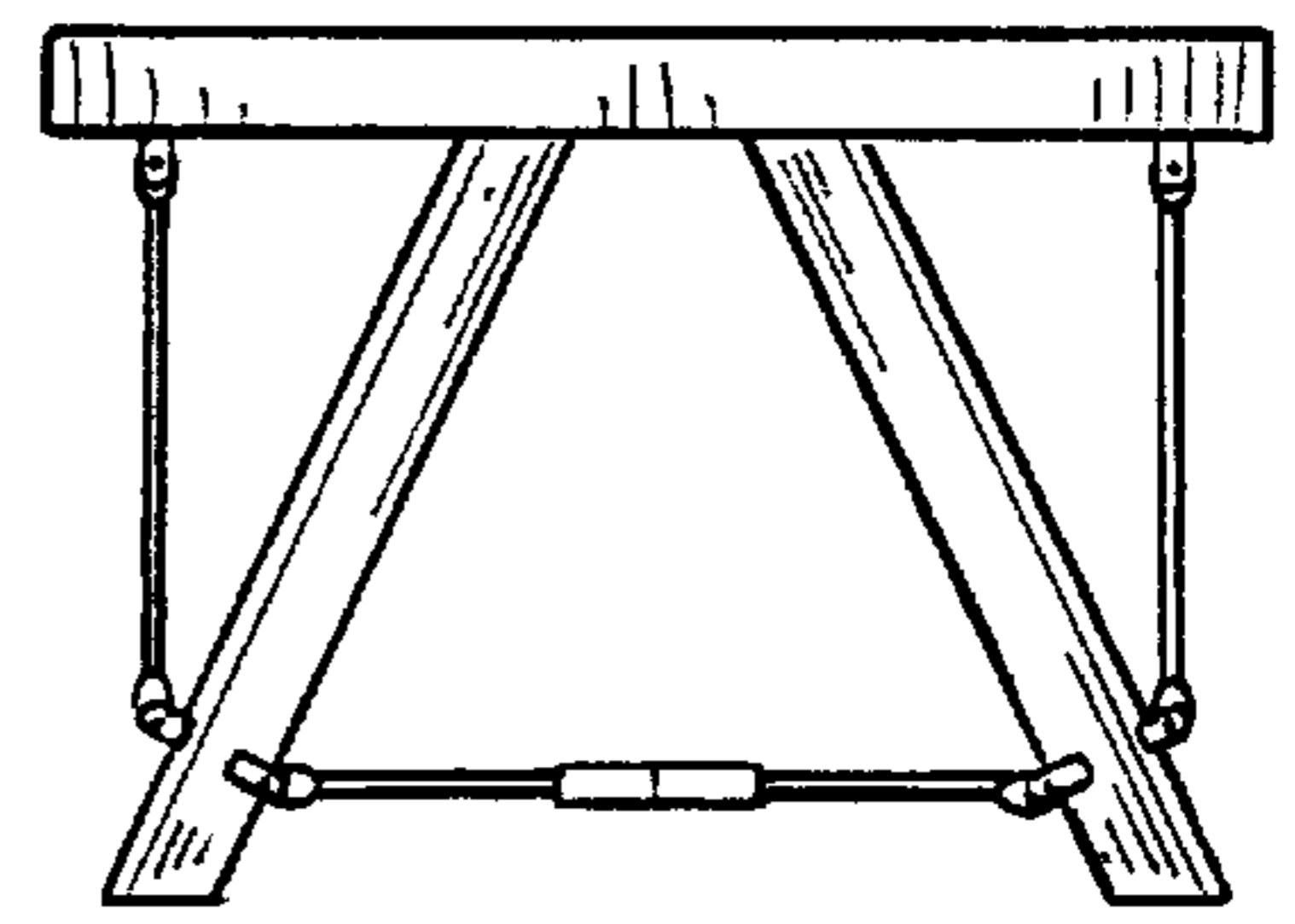


FIG. 4

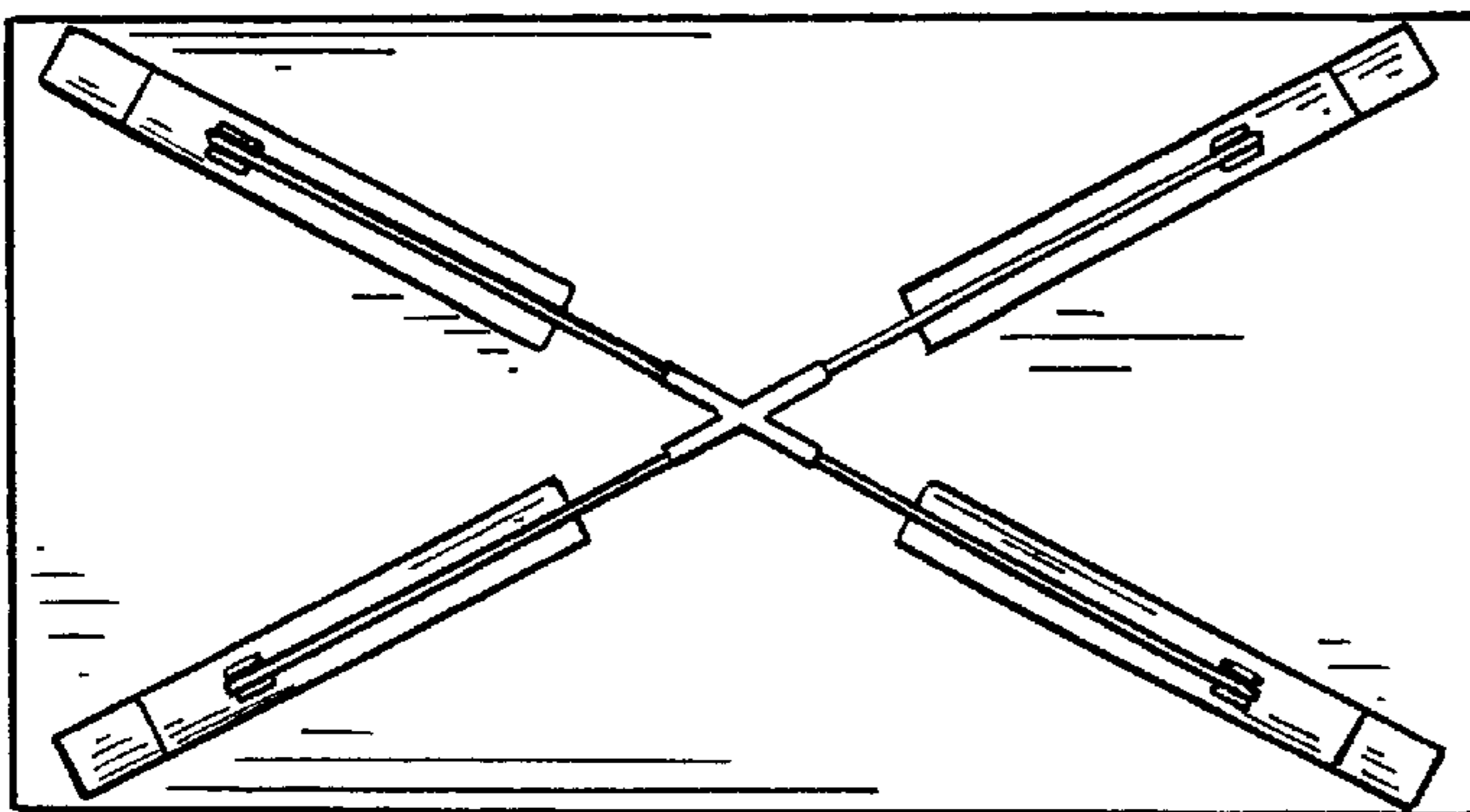


FIG. 5