



US00D404592S

United States Patent [19]
Cheng et al.

[11] **Patent Number: Des. 404,592**
[45] **Date of Patent: **Jan. 26, 1999**

[54] **TABLE LEG**

[75] Inventors: **Fu-Chia Cheng**, Taipei, Taiwan; **Peter Tsui**, Pomona, Calif.

[73] Assignee: **Olten Limited**, West Covina, Calif.

[**] Term: **14 Years**

[21] Appl. No.: **80,802**

[22] Filed: **Dec. 16, 1997**

[51] **LOC (6) Cl.** **06-06**

[52] **U.S. Cl.** **D6/495**

[58] **Field of Search** D6/480-489, 495,
D6/498, 499, 422, 423; 108/153.1, 156,
157.1, 161; 248/188.1, 188.7, 188.8

[56] **References Cited**

U.S. PATENT DOCUMENTS

D. 319,935	9/1991	Heidmann	D6/422
D. 330,302	10/1992	Heidmann	D6/495
D. 335,977	6/1993	Fleischer	D6/480
D. 352,845	11/1994	Hellwig et al.	D6/422
D. 371,687	7/1996	Sims	D6/423
5,289,784	3/1994	Waibel	108/157

Primary Examiner—Janice E. Seeger

Attorney, Agent, or Firm—Raymond Sun

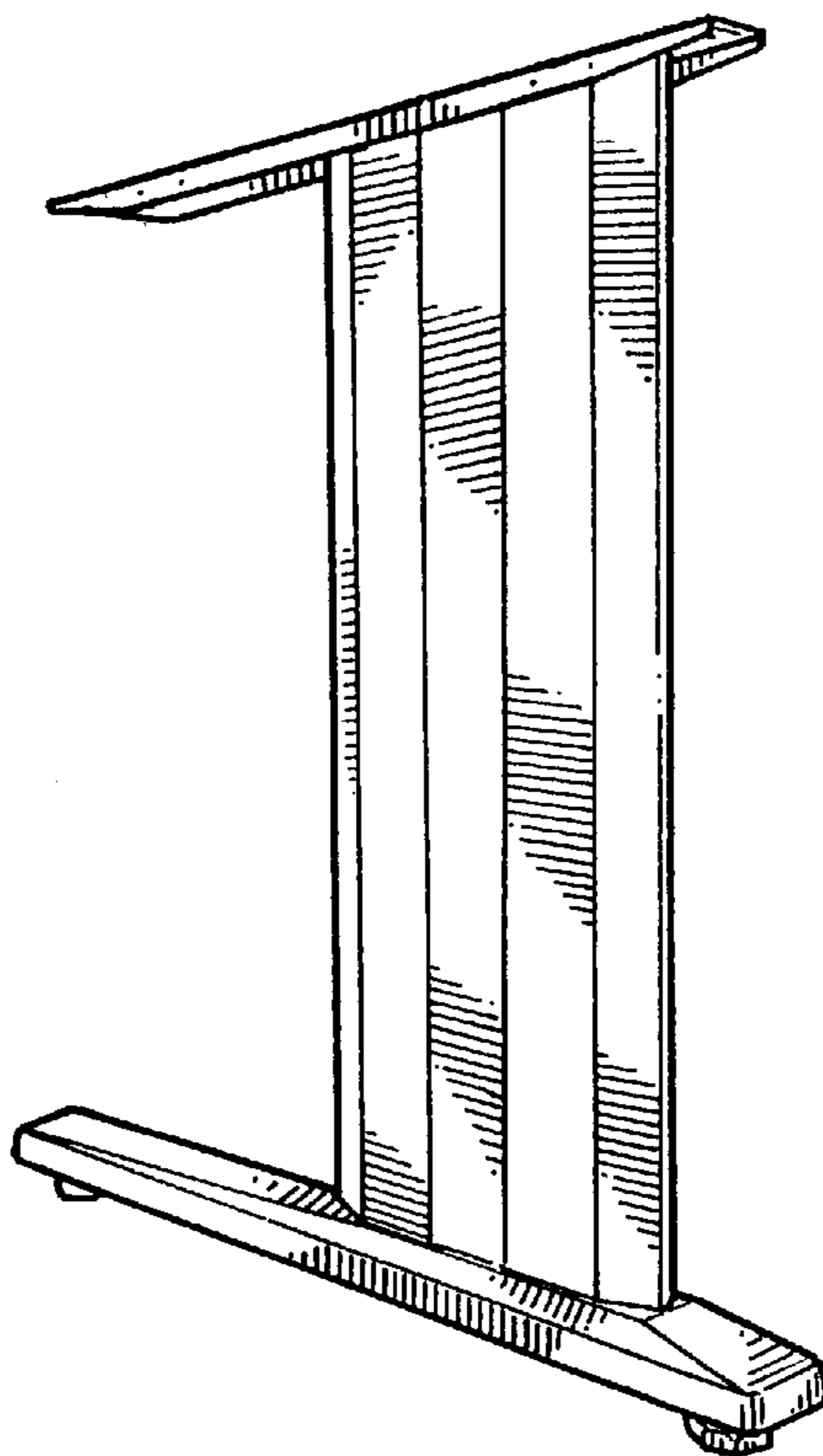
[57] **CLAIM**

The ornamental design for a table leg, as shown and described.

DESCRIPTION

FIG. 1 is a right rear perspective view of a first embodiment of our table leg;
FIG. 2 is a right side perspective view of the table leg of FIG. 1;
FIG. 3 is a right front perspective view of the table leg of FIG. 1;
FIG. 4 is a left front perspective view of the table leg of FIG. 1;
FIG. 5 is a left side perspective view of the table leg of FIG. 1;
FIG. 6 is a left rear perspective view of the table leg of FIG. 1;
FIG. 7 is a top perspective view of the table leg of FIG. 1;
FIG. 8 is a bottom perspective view of the table leg of FIG. 1; and,
FIG. 9 is a left side perspective view of a second embodiment of our table leg, with the views of FIGS. 1-3 being identical for the second embodiment.

1 Claim, 5 Drawing Sheets



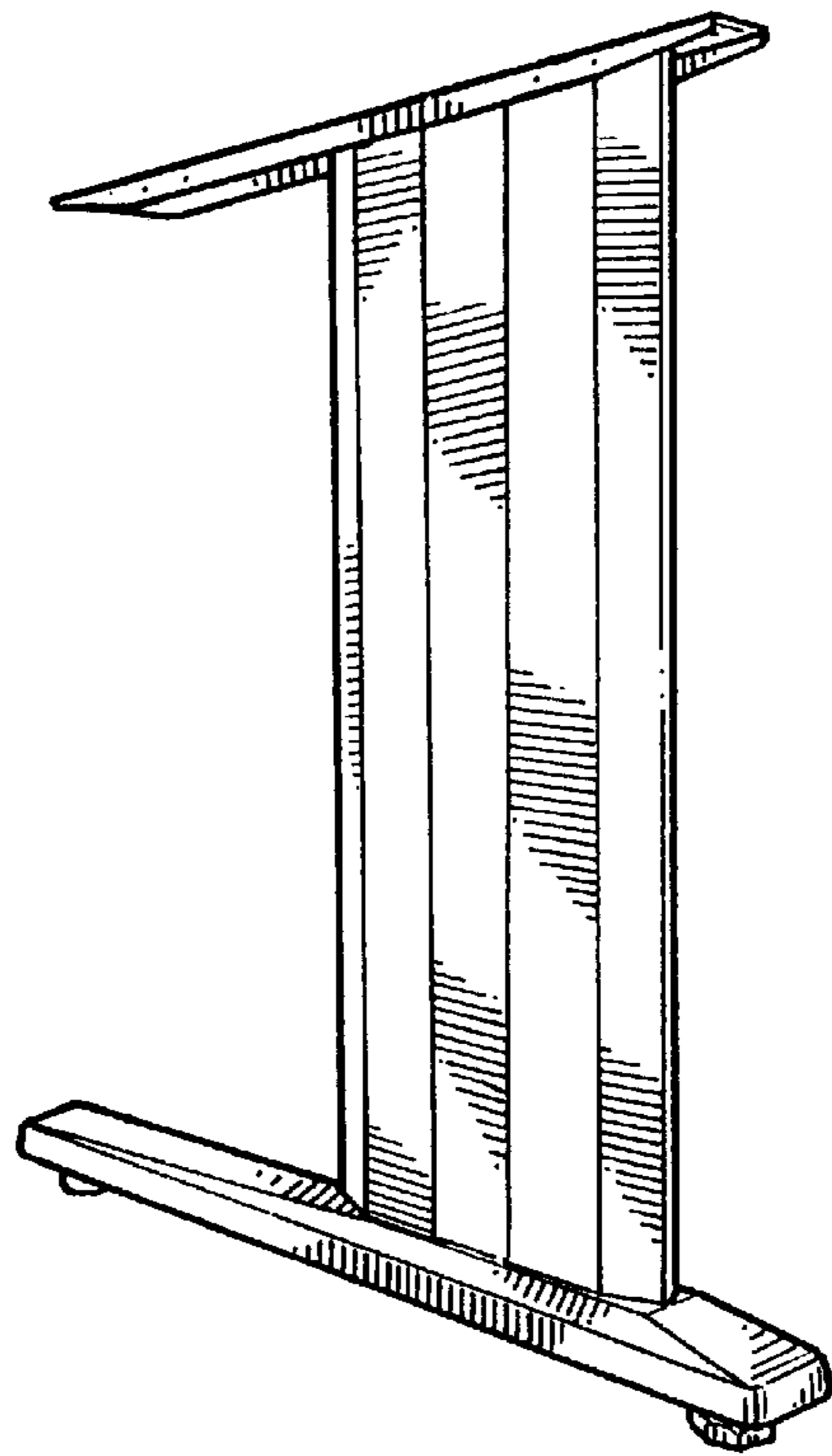


FIG. 1

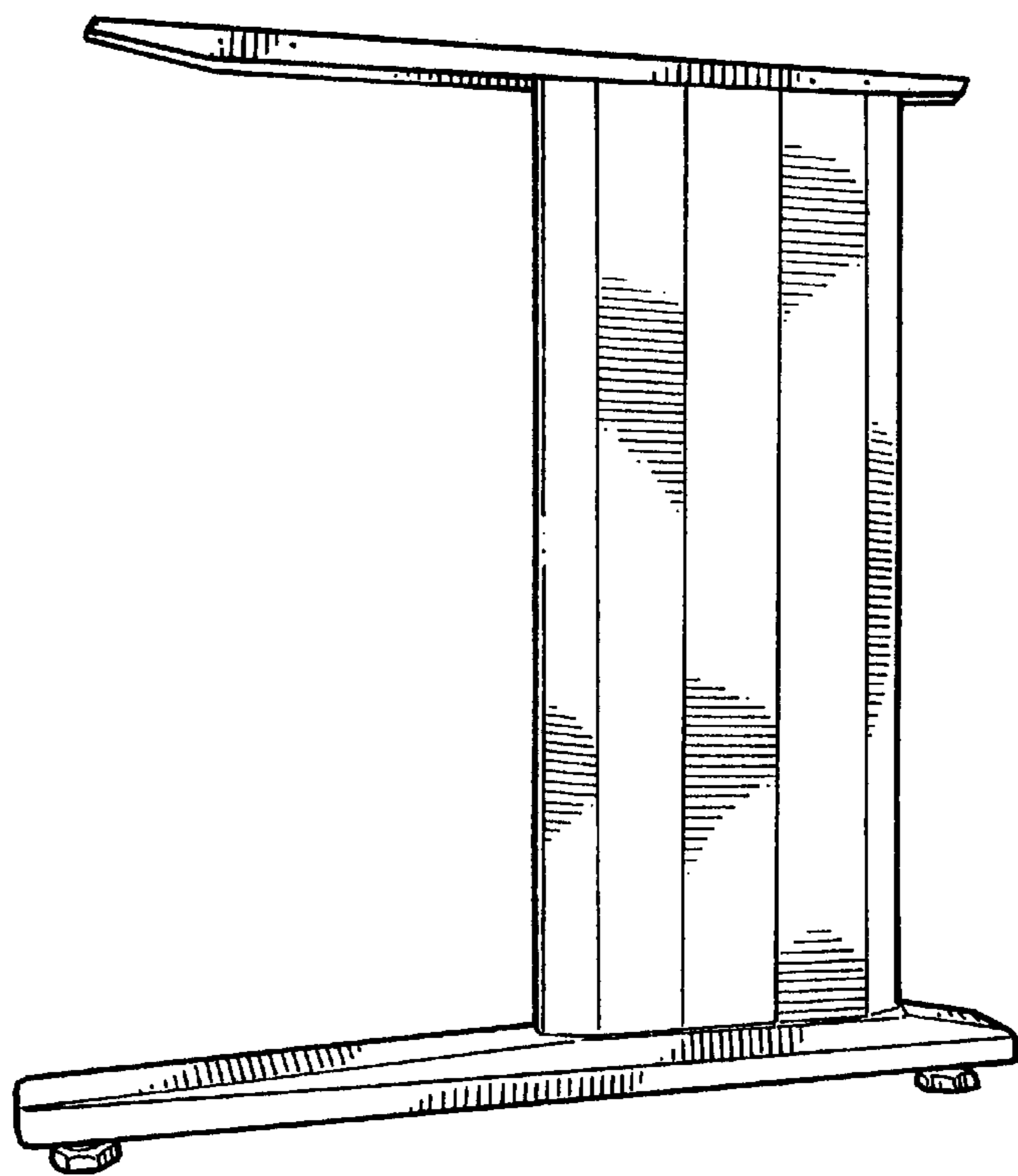
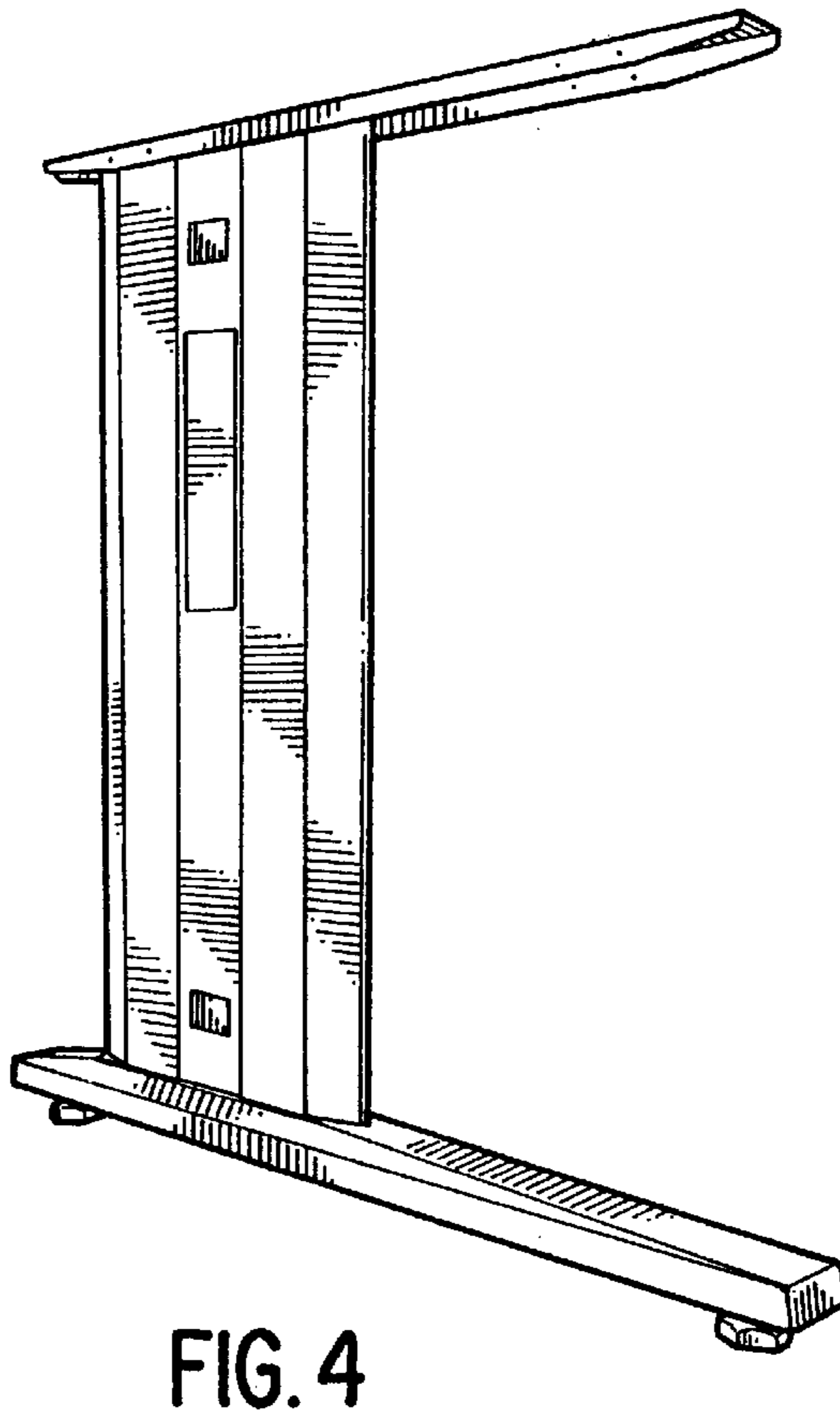
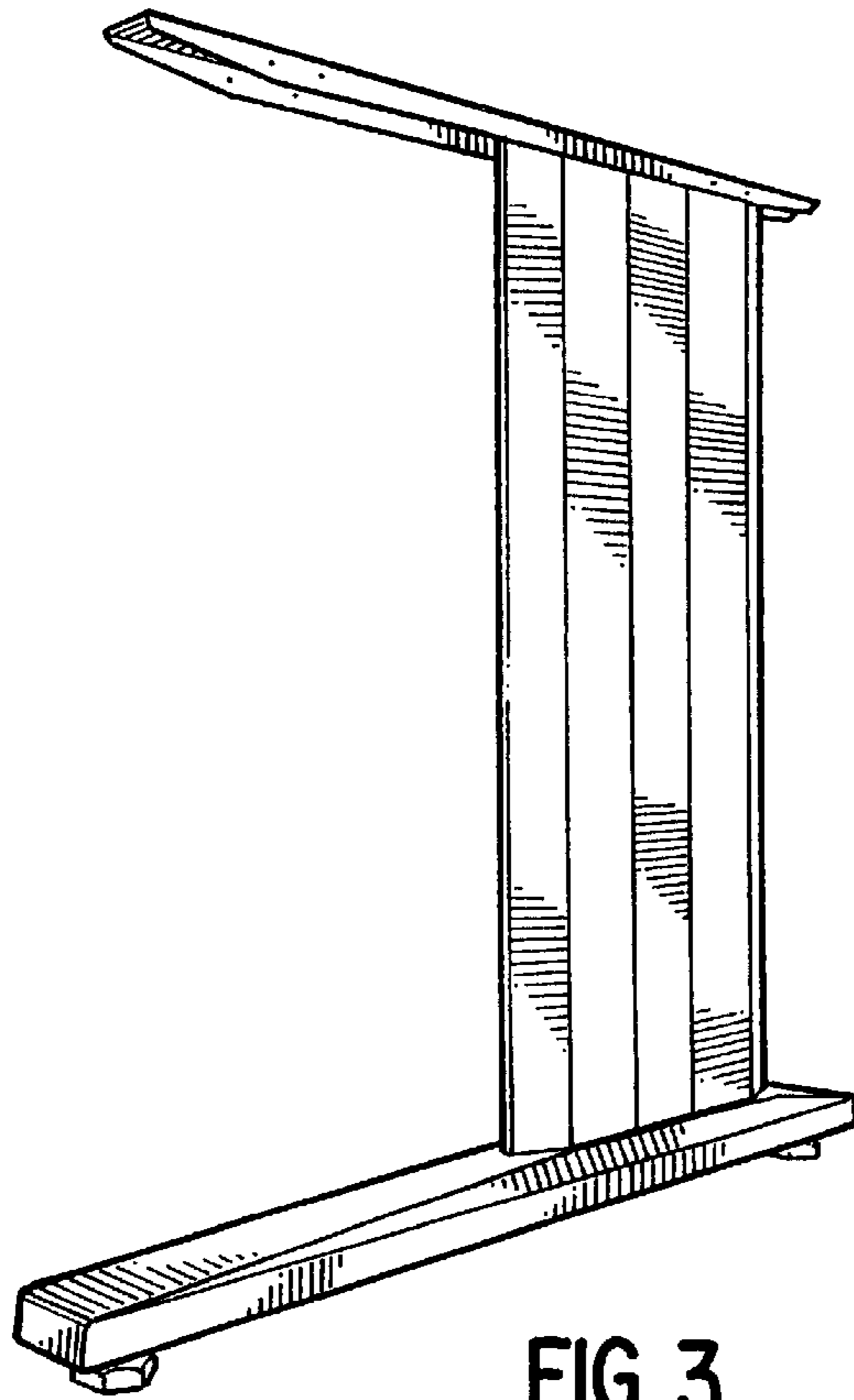


FIG. 2



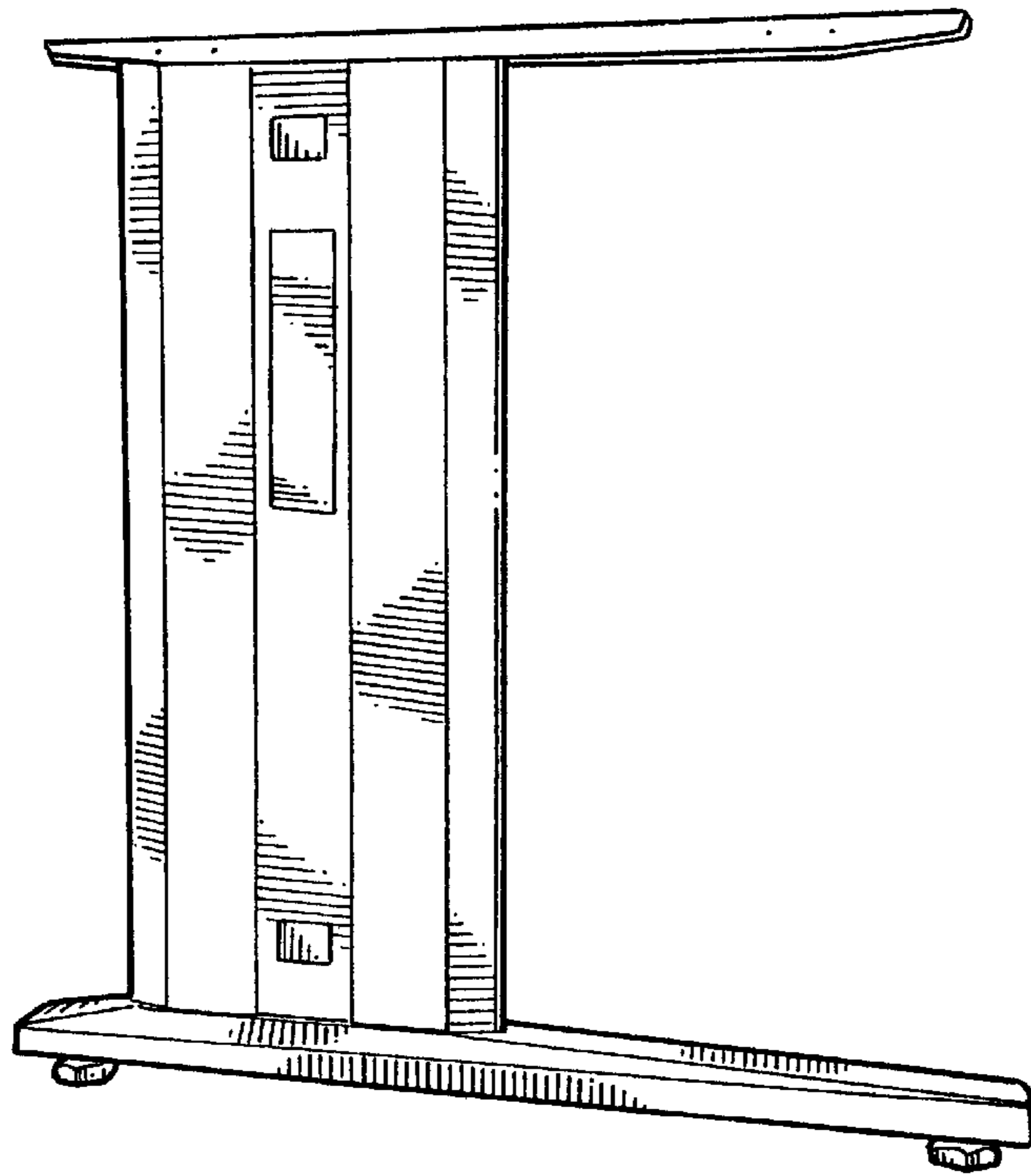


FIG. 5

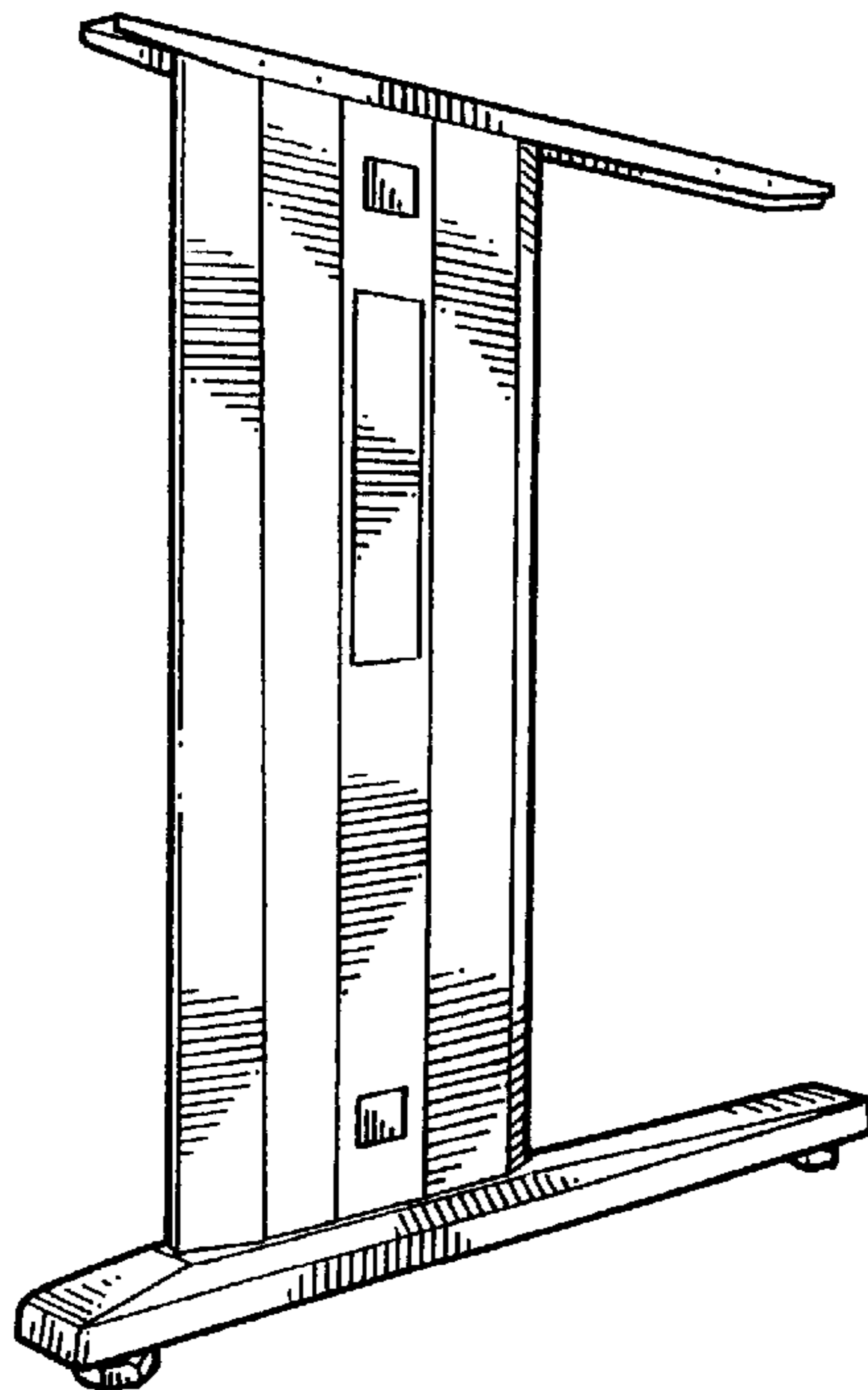


FIG. 6

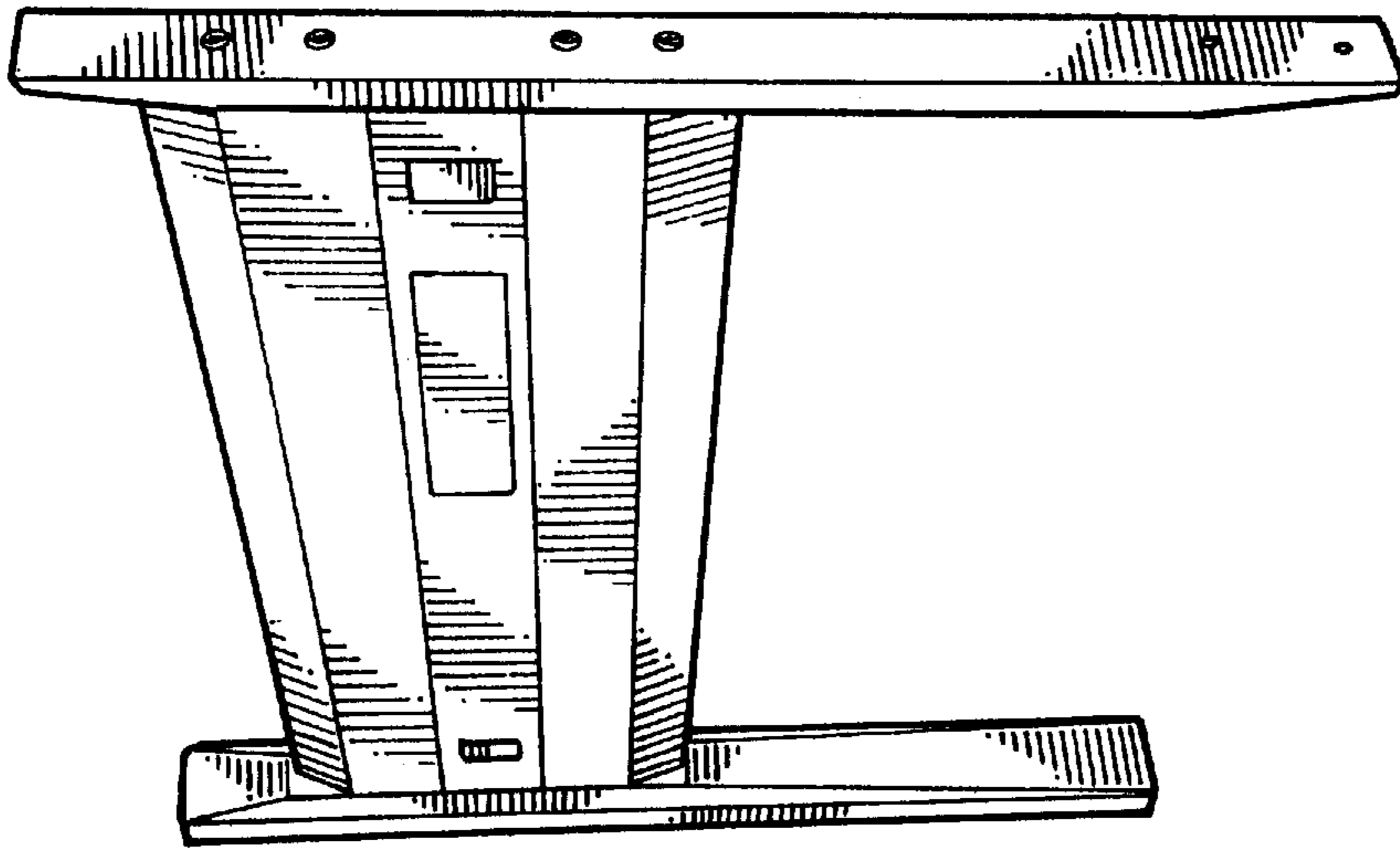


FIG. 7

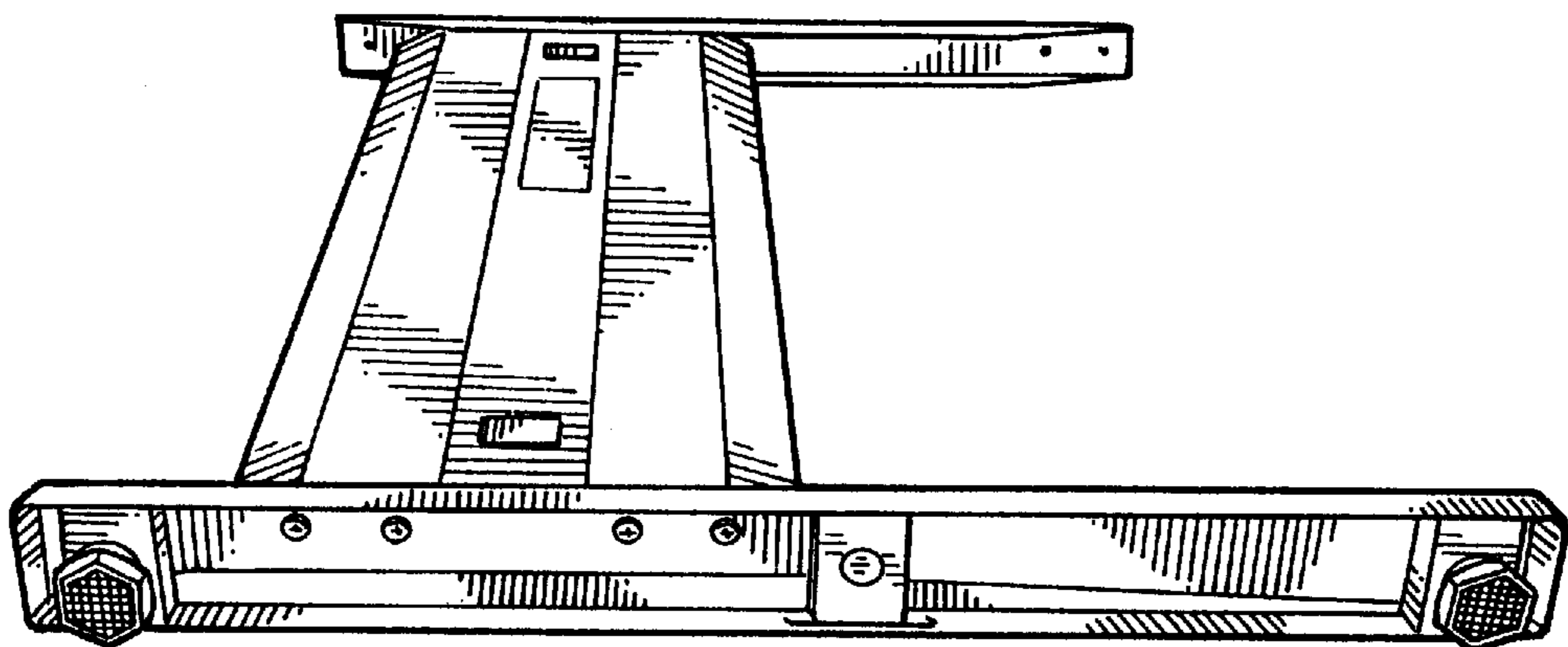


FIG. 8

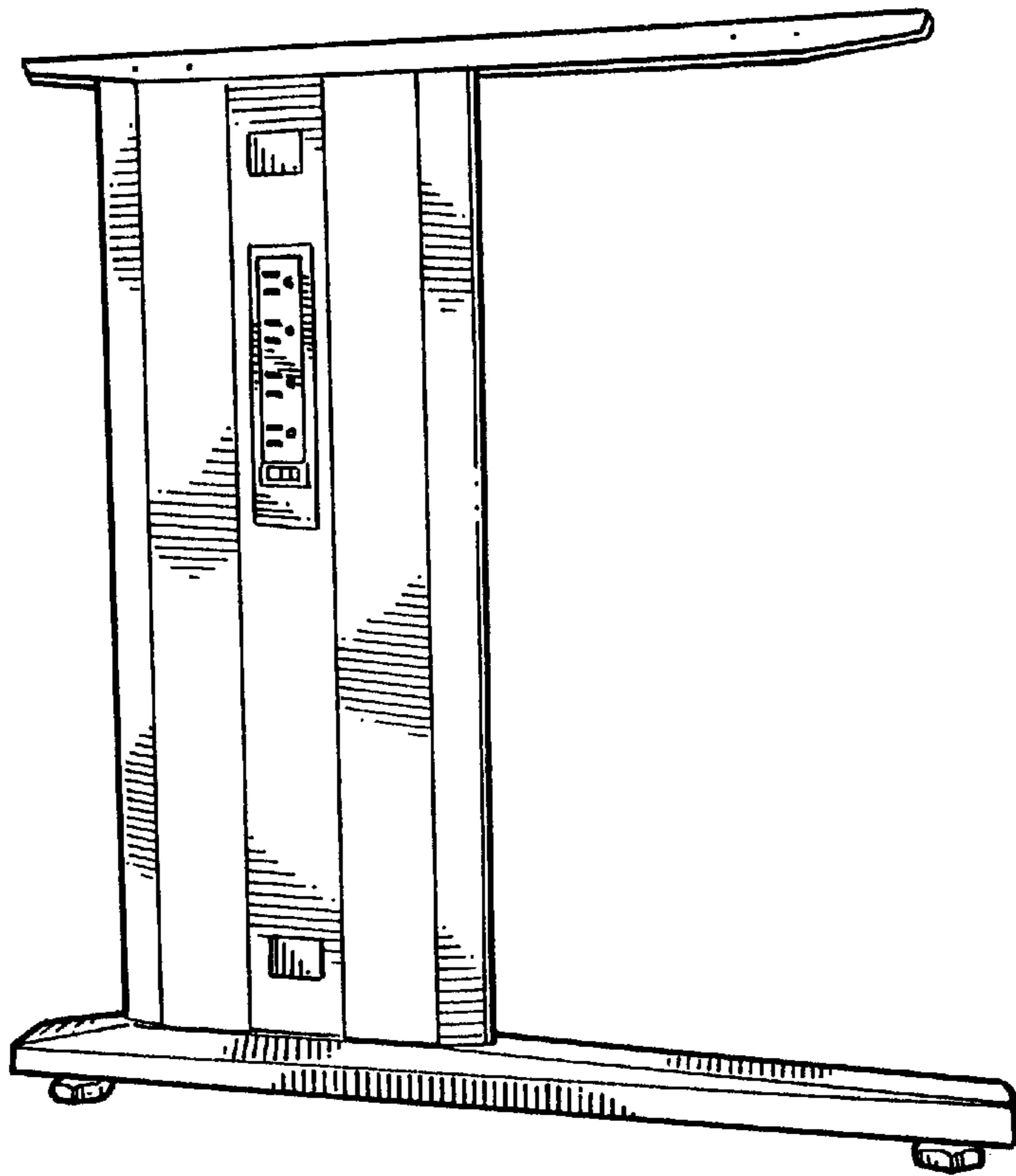


FIG. 9