



US00D404589S

United States Patent [19] Taylor

[11] **Patent Number: Des. 404,589**

[45] **Date of Patent: **Jan. 26, 1999**

[54] **MEDICAL-SELF HELP TABLE**

D. 380,324 7/1997 Kramer et al. D6/511
D. 382,734 8/1997 Hartman et al. D6/451 X

[76] Inventor: **Jack Taylor**, 1225 Roanoke Ave.,
Charlotte, N.C. 28205

Primary Examiner—M. N. Pandozzi
Attorney, Agent, or Firm—Adams Law Firm, P.A.

[**] Term: **14 Years**

[57] CLAIM

[21] Appl. No.: **79,441**

I claim the ornamental design for a medical self-help table,
as shown and described.

[22] Filed: **Nov. 17, 1997**

DESCRIPTION

[51] **LOC (6) Cl.** **06-06**

[52] **U.S. Cl.** **D6/406.4; D6/406.5; D6/406.6**

[58] **Field of Search** D6/406.1, 406.2,
D6/406.3, 406.4, 406.5, 406.6, 419, 451,
420, 604, 422, 511; D7/552.1, 552.2, 553.3,
553.2, 553.4; 108/43, 44; 206/561

FIG. 1 is an environmental perspective view of the medical self-help table as used by a reclined patient shown in phantom;

FIG. 2 is a rear elevational view thereof;

FIG. 3 is a front elevational view thereof;

FIG. 4 is a side elevational view, the opposite side being a mirror image thereof;

FIG. 5 is a top plan view thereof; and,

FIG. 6 is a bottom plan view thereof.

The broken lines in FIG. 1 are for illustrative purposes only and forms no part of the claimed design.

[56] References Cited

U.S. PATENT DOCUMENTS

- D. 80,024 12/1929 Ekvall D6/511
- D. 170,006 7/1953 Chapman et al. D6/422
- D. 183,848 11/1958 Lubberts et al. D6/511
- D. 203,198 12/1965 Schultz D6/511
- D. 282,420 2/1986 Melland D6/511 X

1 Claim, 4 Drawing Sheets

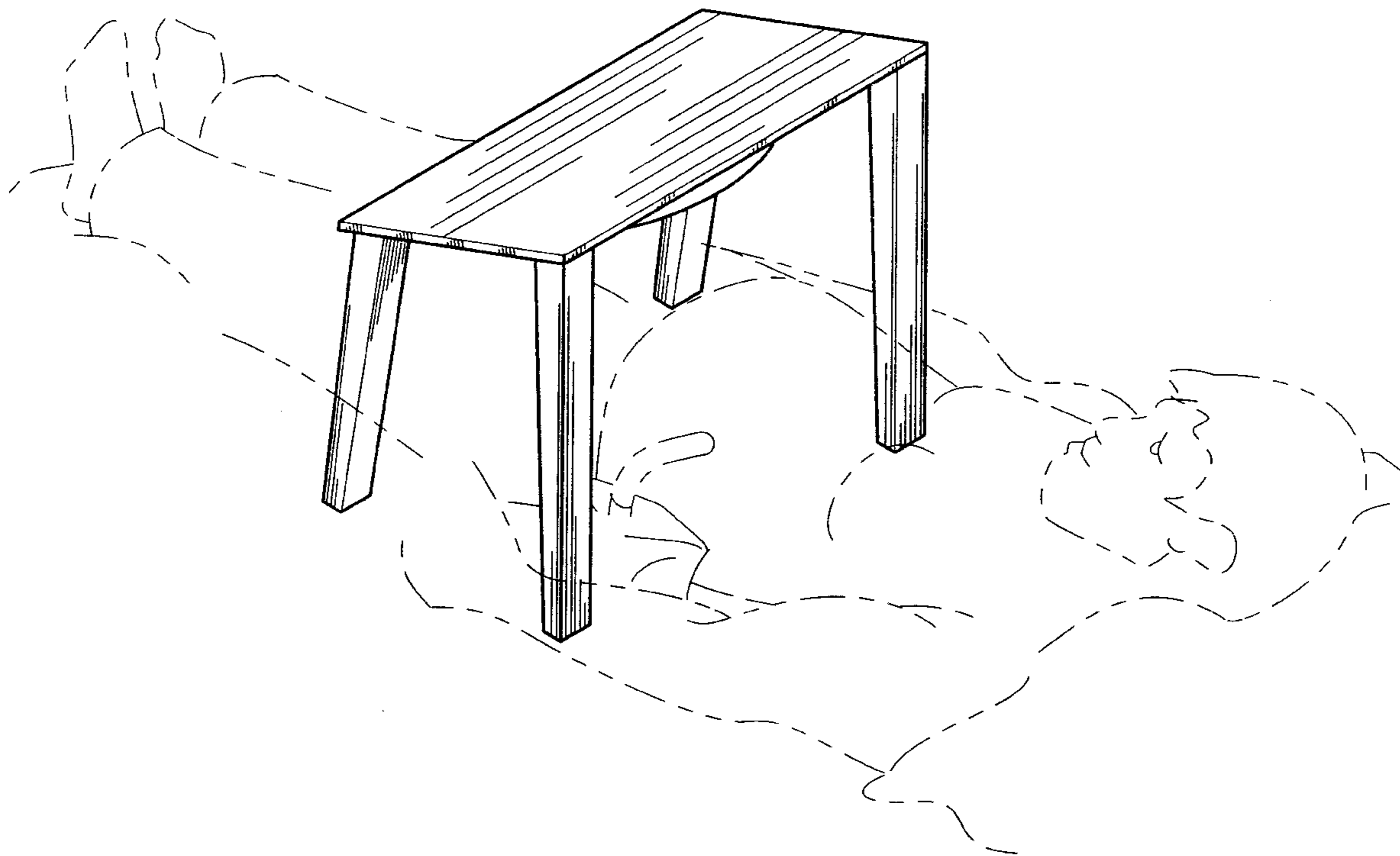
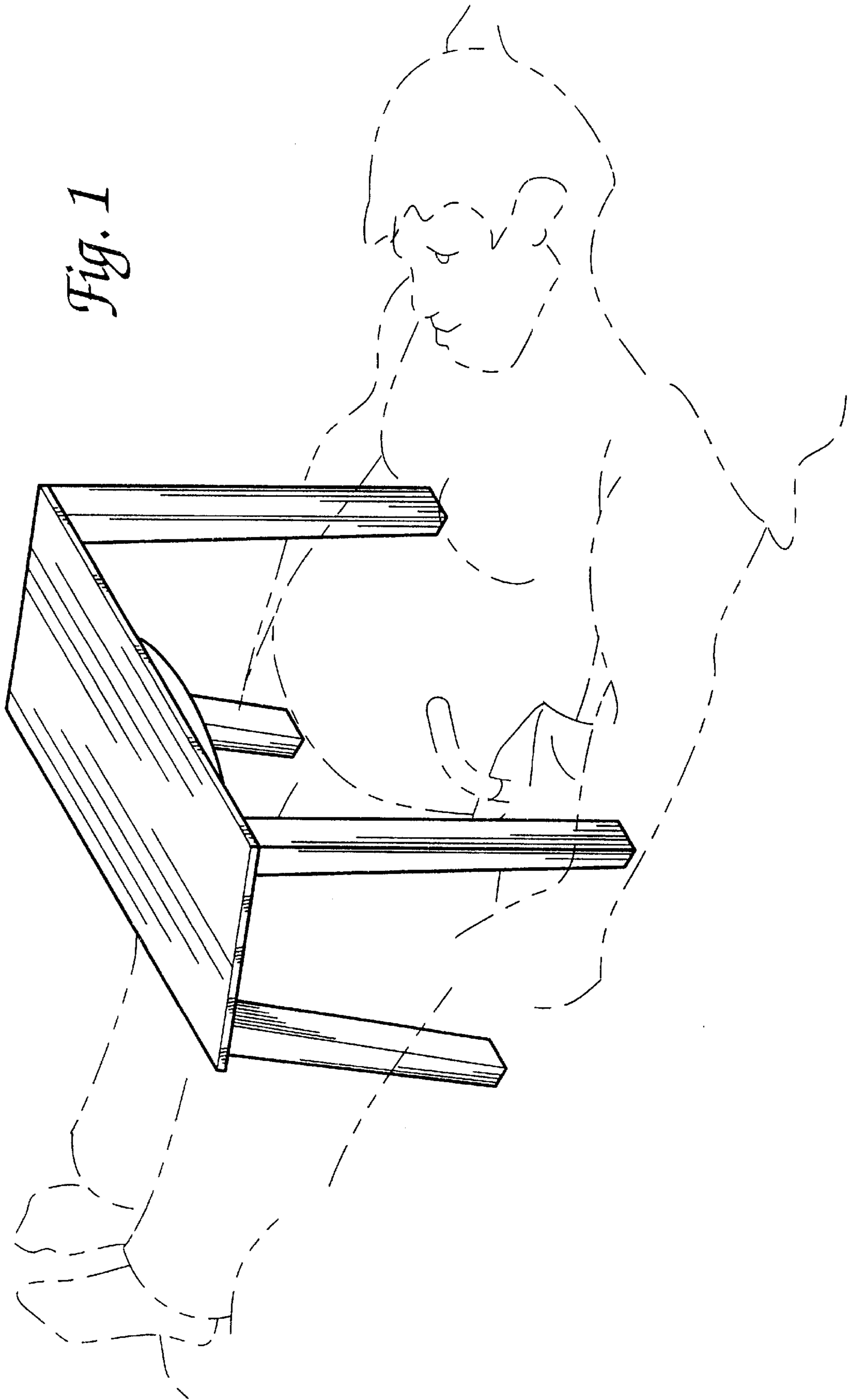


Fig. 1



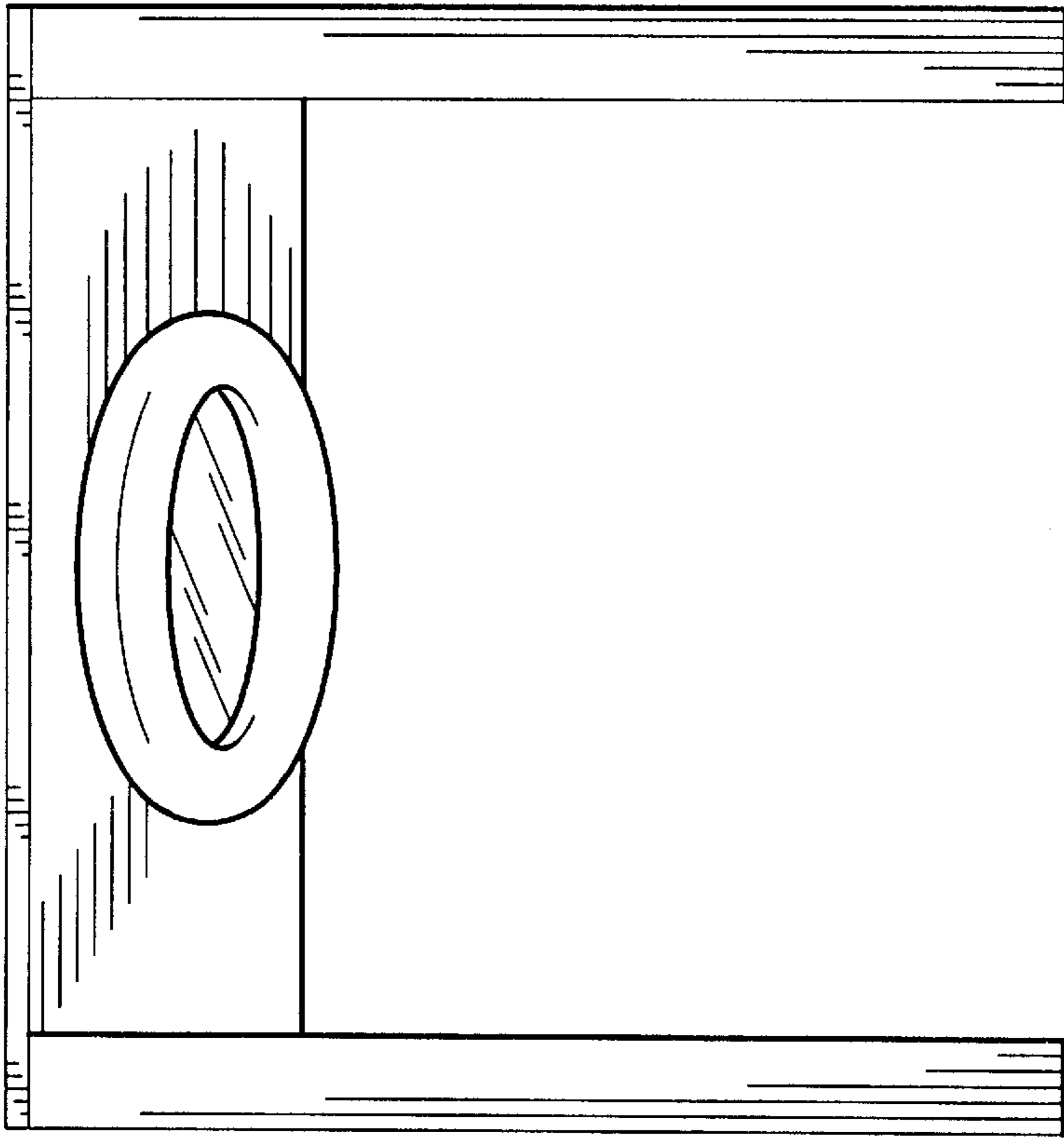


Fig. 2

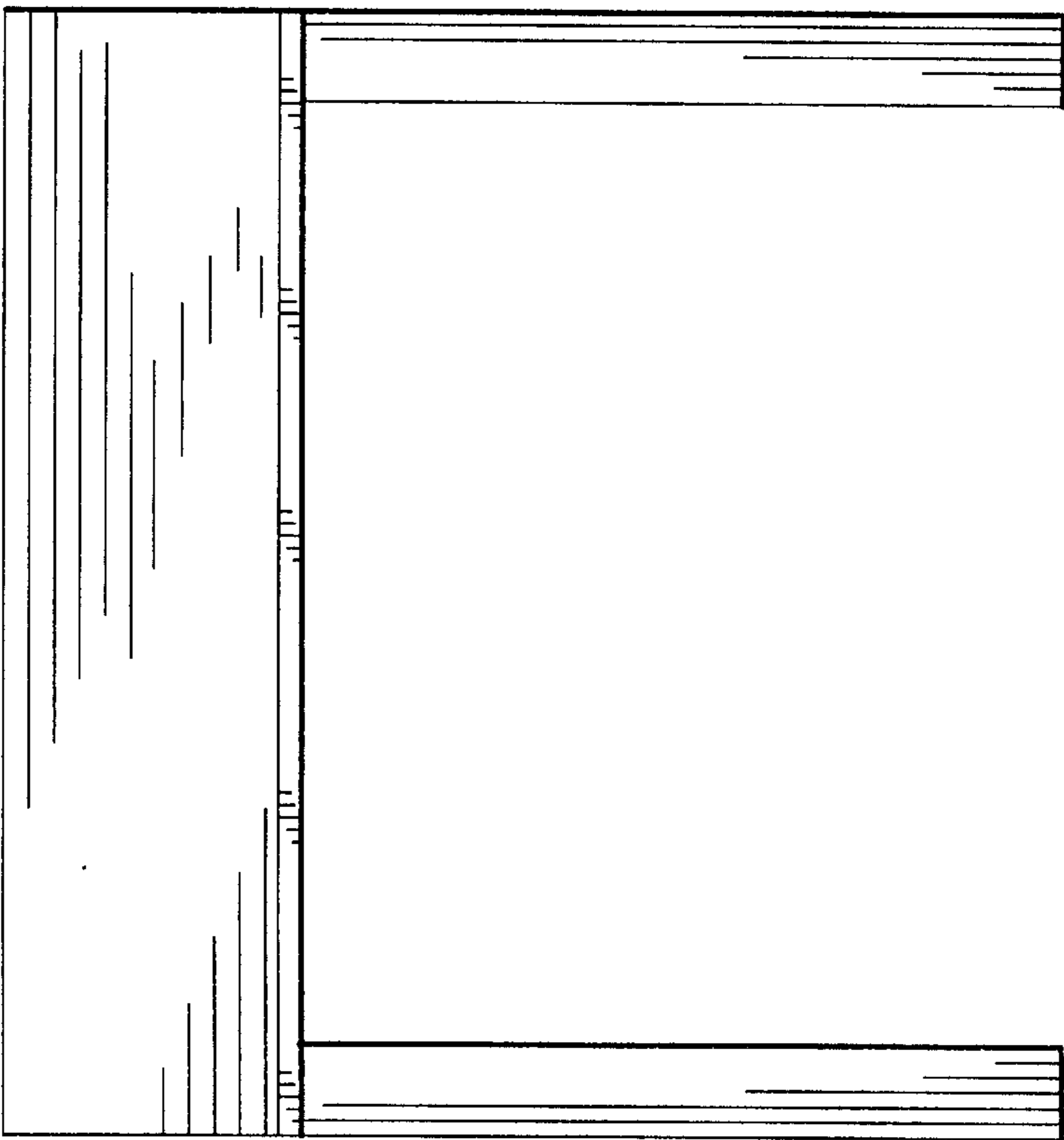


Fig. 3

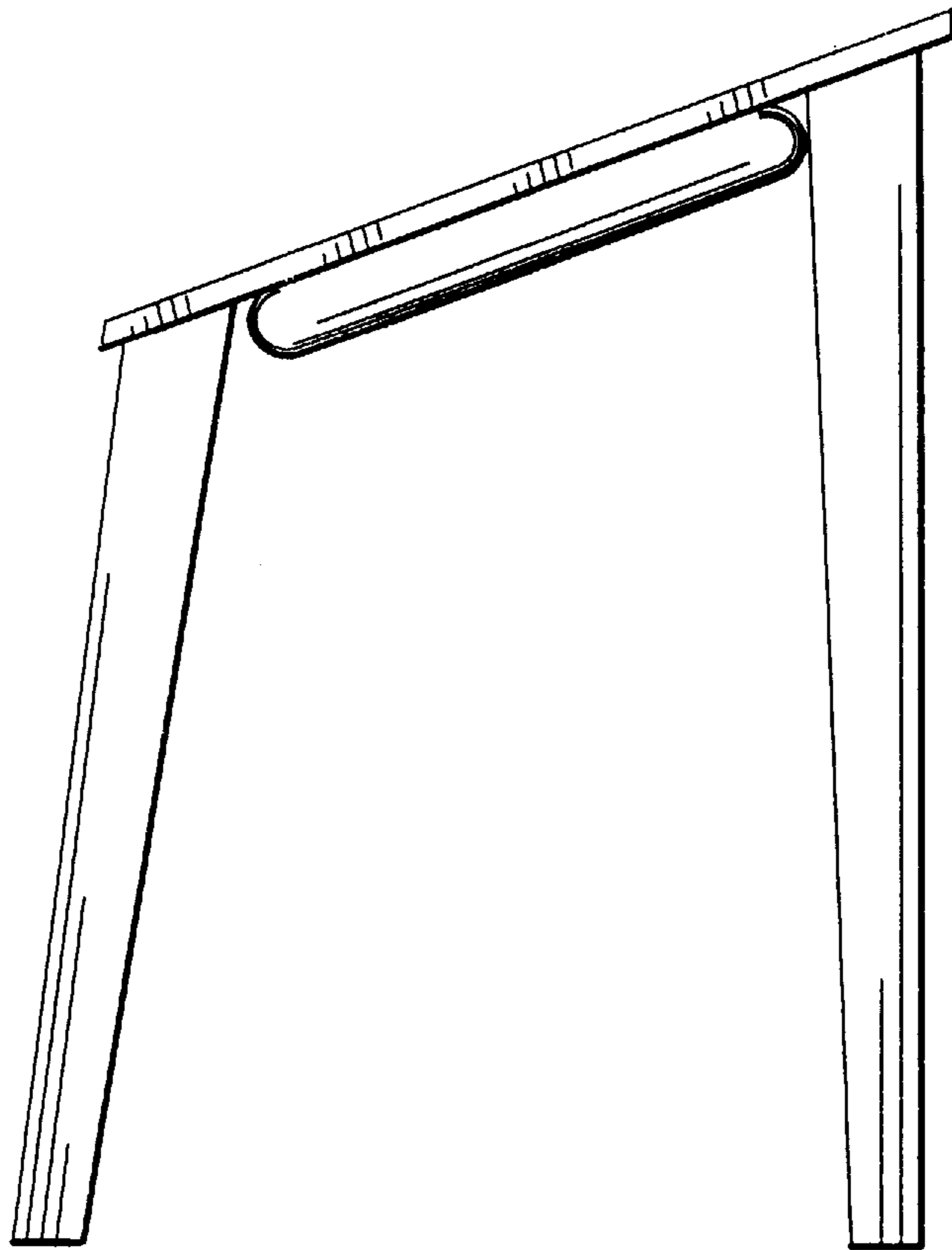


Fig. 4

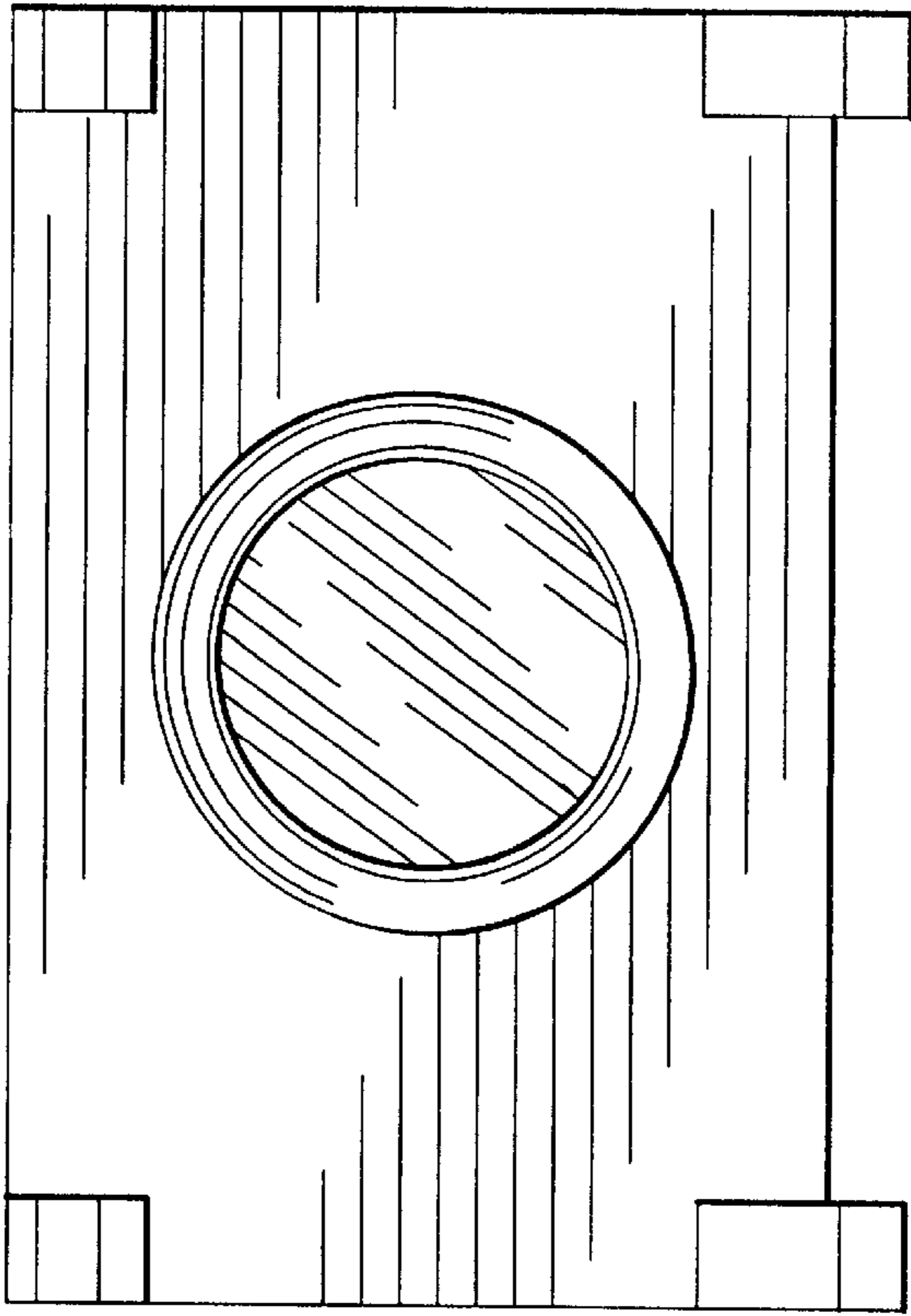


Fig. 6

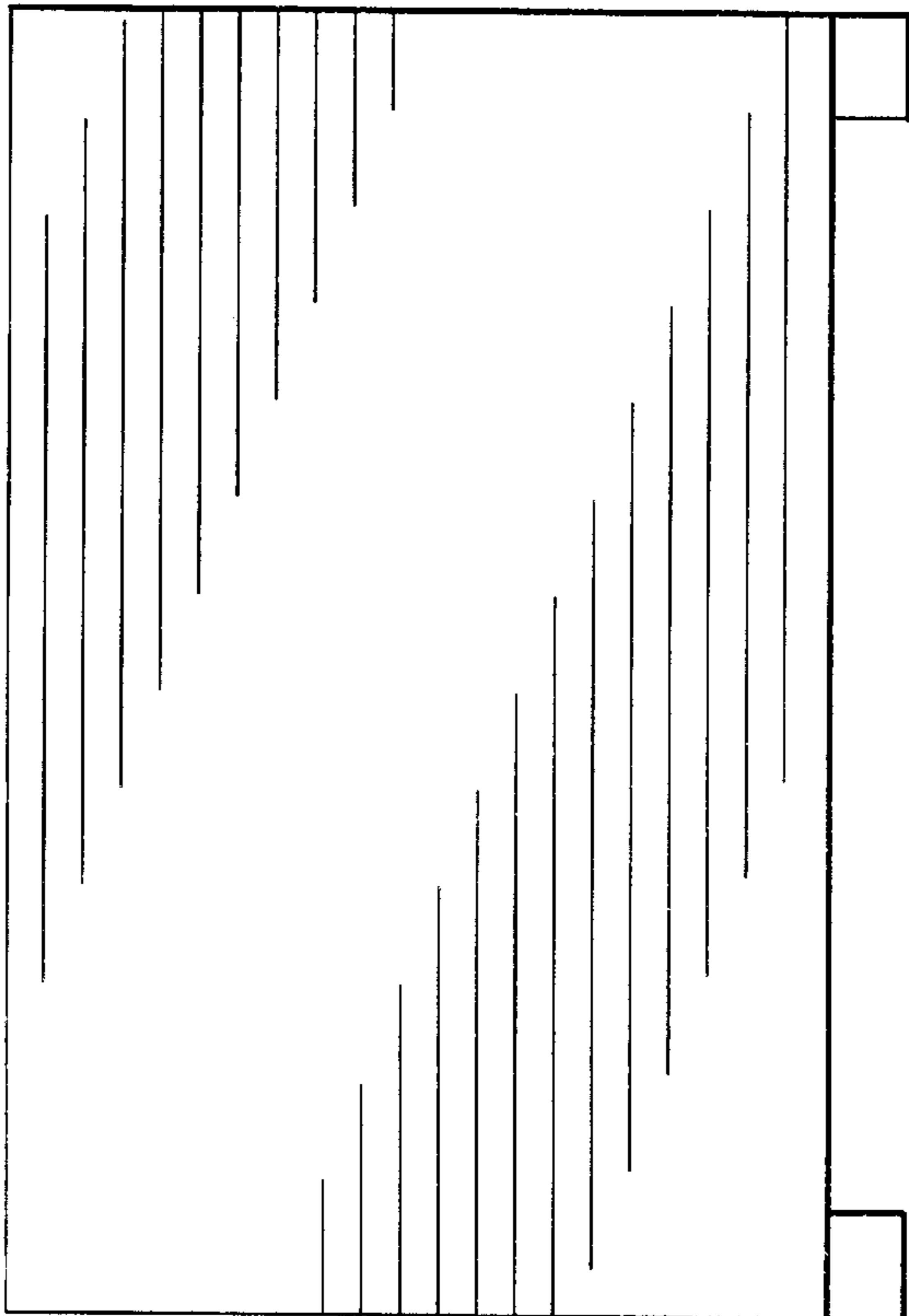


Fig. 5