



US00D404581S

# United States Patent [19] Saban

[11] Patent Number: **Des. 404,581**

[45] Date of Patent: **\*\*Jan. 26, 1999**

[54] **BENCH**

[76] Inventor: **Rick Saban**, 11108 W. 84th Pl., Willow Springs, Ill. 60480

[\*\*] Term: **14 Years**

[21] Appl. No.: **60,432**

[22] Filed: **Sep. 27, 1996**

[51] **LOC (6) Cl.** ..... **06-01**

[52] **U.S. Cl.** ..... **D6/358; D6/374; D6/381**

[58] **Field of Search** ..... D6/334, 335, 345, D6/351, 358, 370, 374, 380, 381, 500, 501, 502; D21/227-229; 297/181, 232, 452.63

[56] **References Cited**

**U.S. PATENT DOCUMENTS**

D. 51,553	12/1917	Haase	.....	D6/370
D. 120,222	4/1940	Harman	.	
D. 148,289	1/1948	Discher	.....	D6/374
D. 217,243	4/1970	Gawrys	.	
D. 237,434	11/1975	LeMay, Jr.	.....	D6/370
D. 261,543	10/1981	Morris, Sr.	.....	D21/227
D. 287,672	1/1987	Holl	.....	D6/370
D. 308,996	7/1990	Katz	.....	D21/229
D. 345,656	4/1994	Theobald	.	
D. 349,411	8/1994	Marriott et al.	.	
D. 352,839	11/1994	Gibson	.....	D6/358 X
D. 373,400	9/1996	Ogata et al.	.....	D21/227
4,762,339	8/1988	Hoek	.	
4,786,082	11/1988	Swietlik	.	
5,118,136	6/1992	Johnson	.	
5,441,184	8/1995	Durso	.	
5,511,815	4/1996	Karlsen	.....	D21/229 X

**OTHER PUBLICATIONS**

“Reeski”, Aspen Colorado, catalogue, undated.

*Primary Examiner*—Gary D. Watson

*Attorney, Agent, or Firm*—Brinks Hofer Gilson & Lione

[57] **CLAIM**

The ornamental design for a bench, as shown and described.

**DESCRIPTION**

FIG. 1 is a perspective view of a first embodiment of a bench;

FIG. 2 is a left side view of the first embodiment of the bench, the right side thereof being substantially identical to the left side;

FIG. 3 is a front view of the first embodiment of the bench;

FIG. 4 is a top view of the first embodiment of the bench;

FIG. 5 is a rear view of the first embodiment of the bench;

FIG. 6 is a bottom view of the first embodiment of the bench;

FIG. 7 is a perspective view of a second embodiment of a bench;

FIG. 8 is a left side view of the second embodiment of the bench, the right side thereof being substantially identical to the left side;

FIG. 9 is a front view of the second embodiment of the bench;

FIG. 10 is a top view of the second embodiment of the bench;

FIG. 11 is a rear view of the second embodiment of the bench; and,

FIG. 12 is a bottom view of the second embodiment of the bench.

**1 Claim, 6 Drawing Sheets**

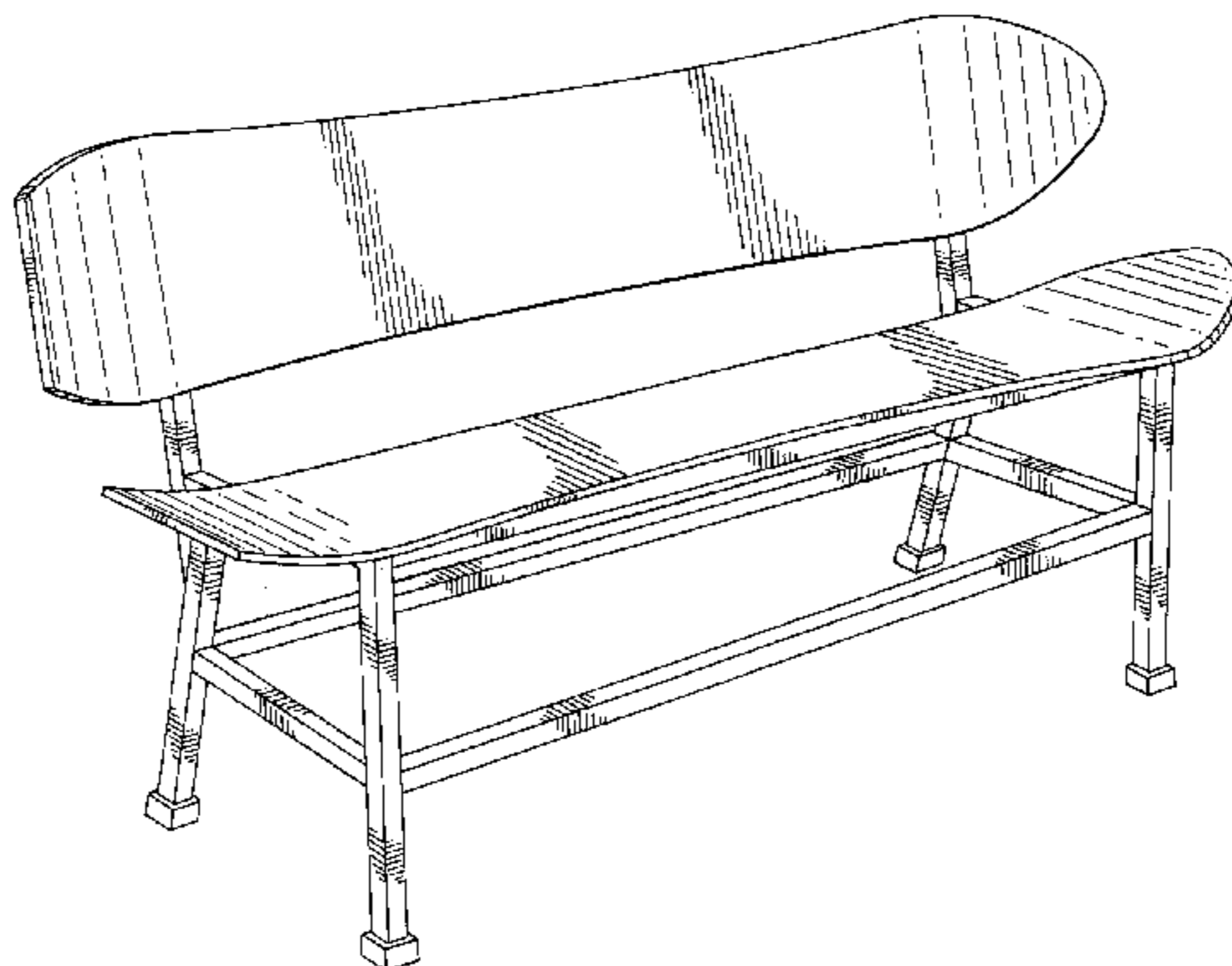
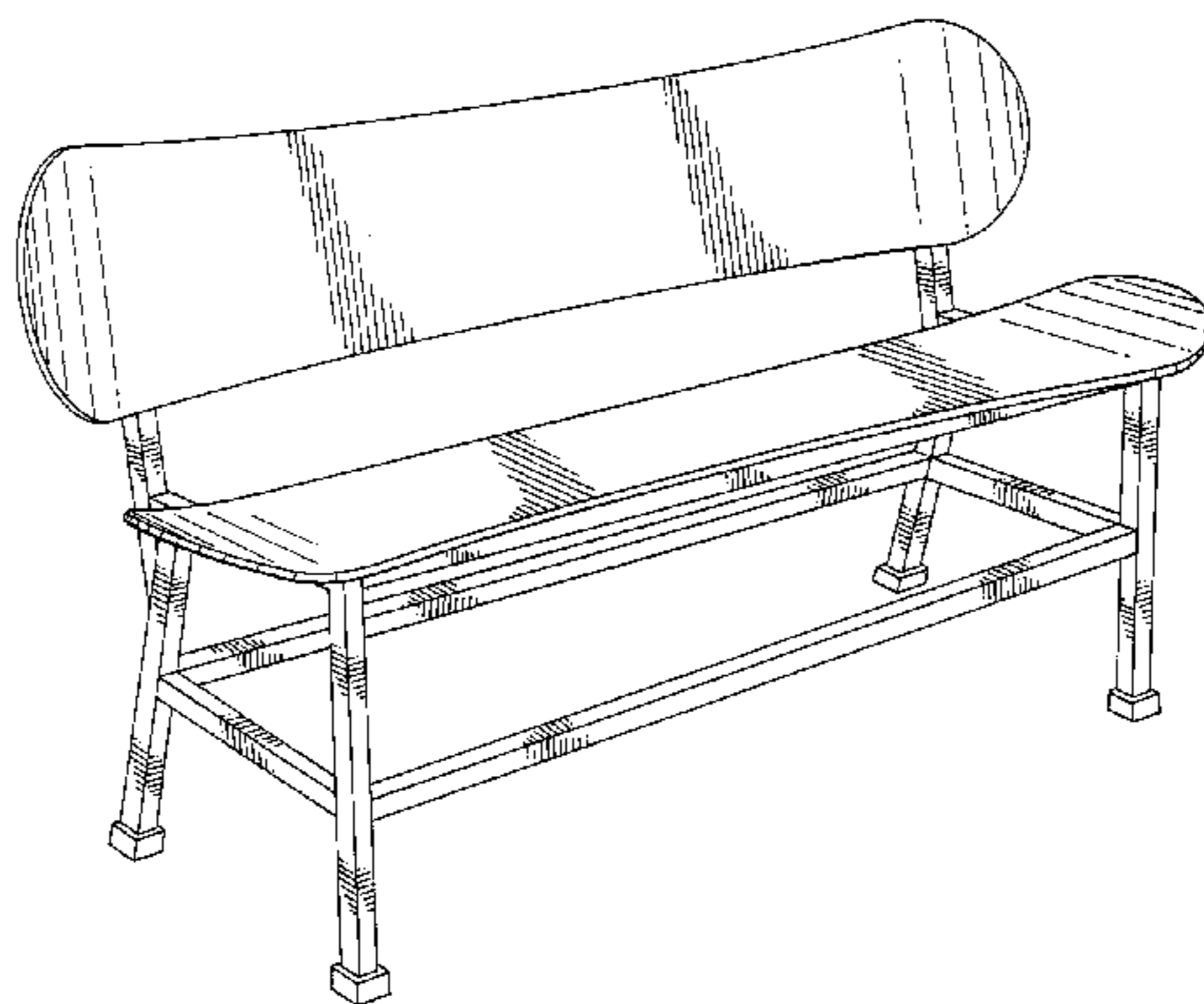


FIG. 1

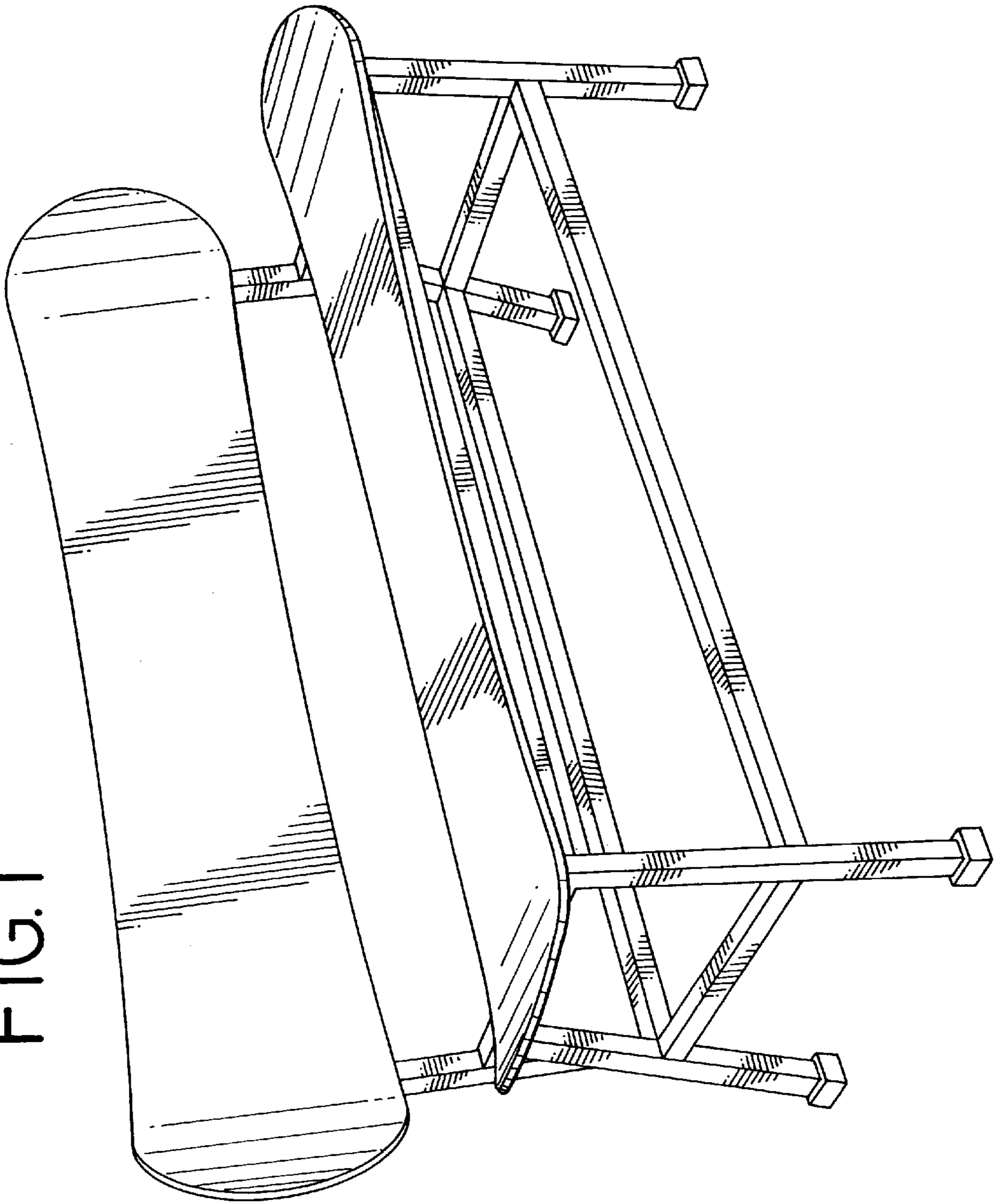
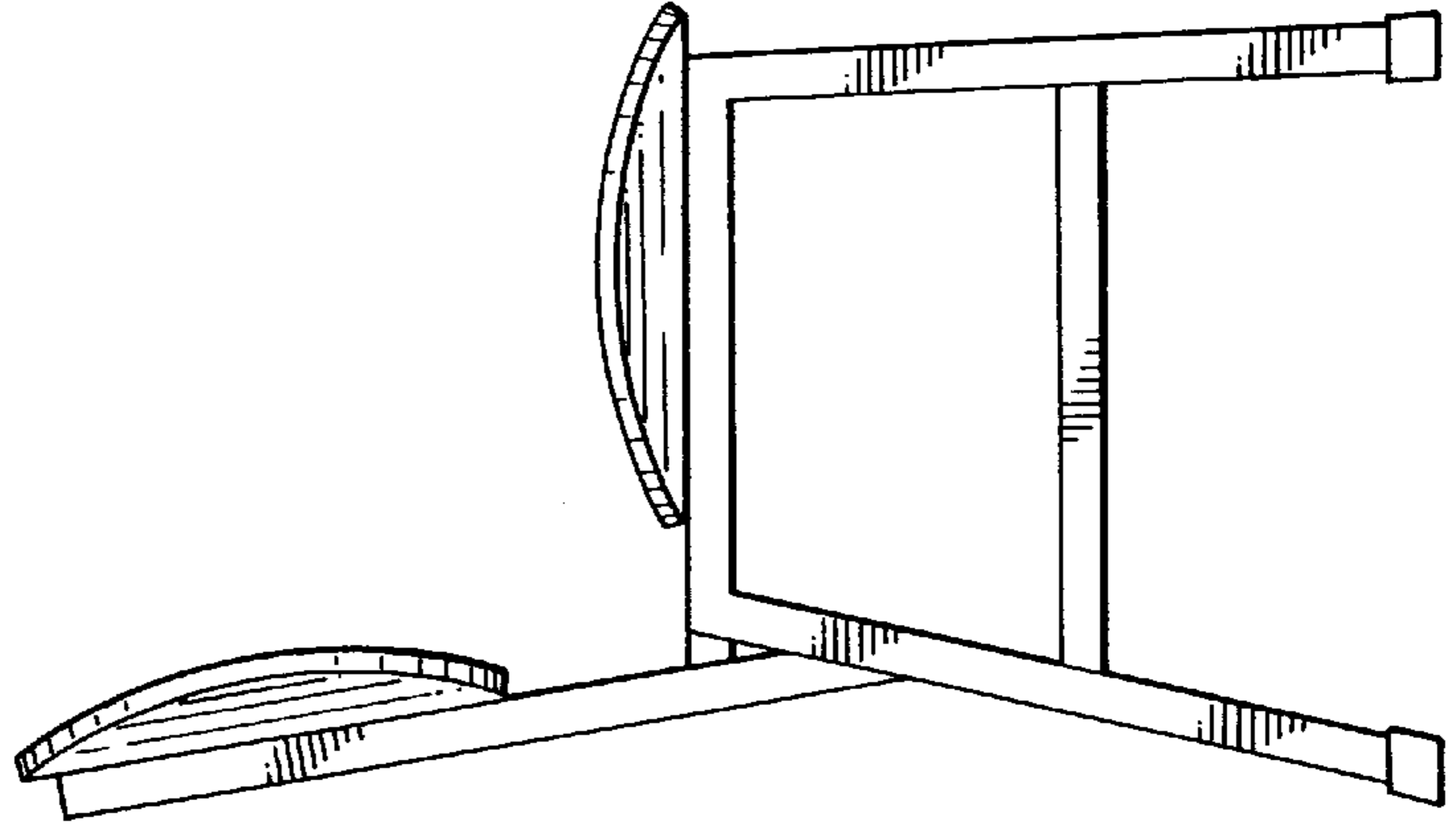


FIG. 2



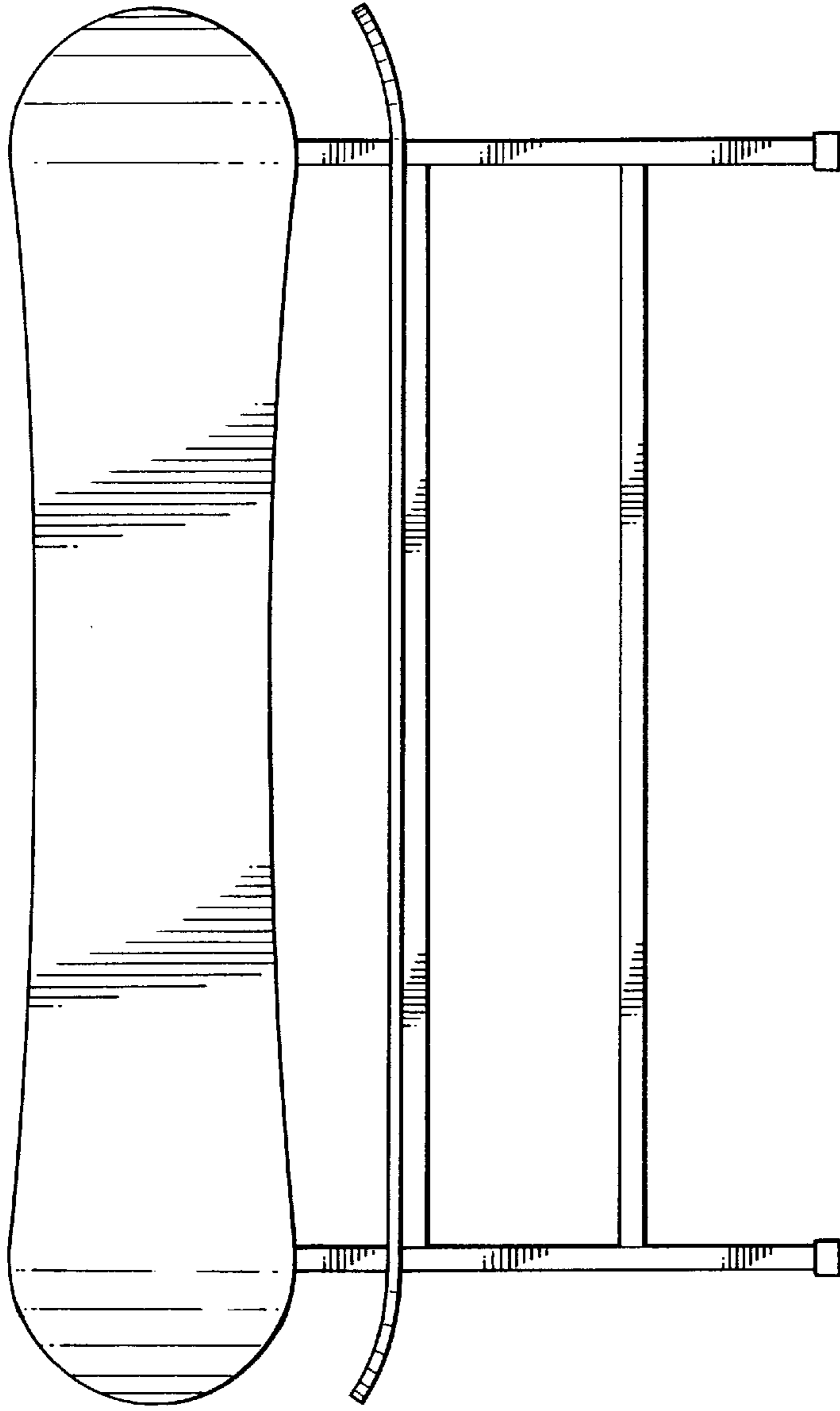


FIG. 3

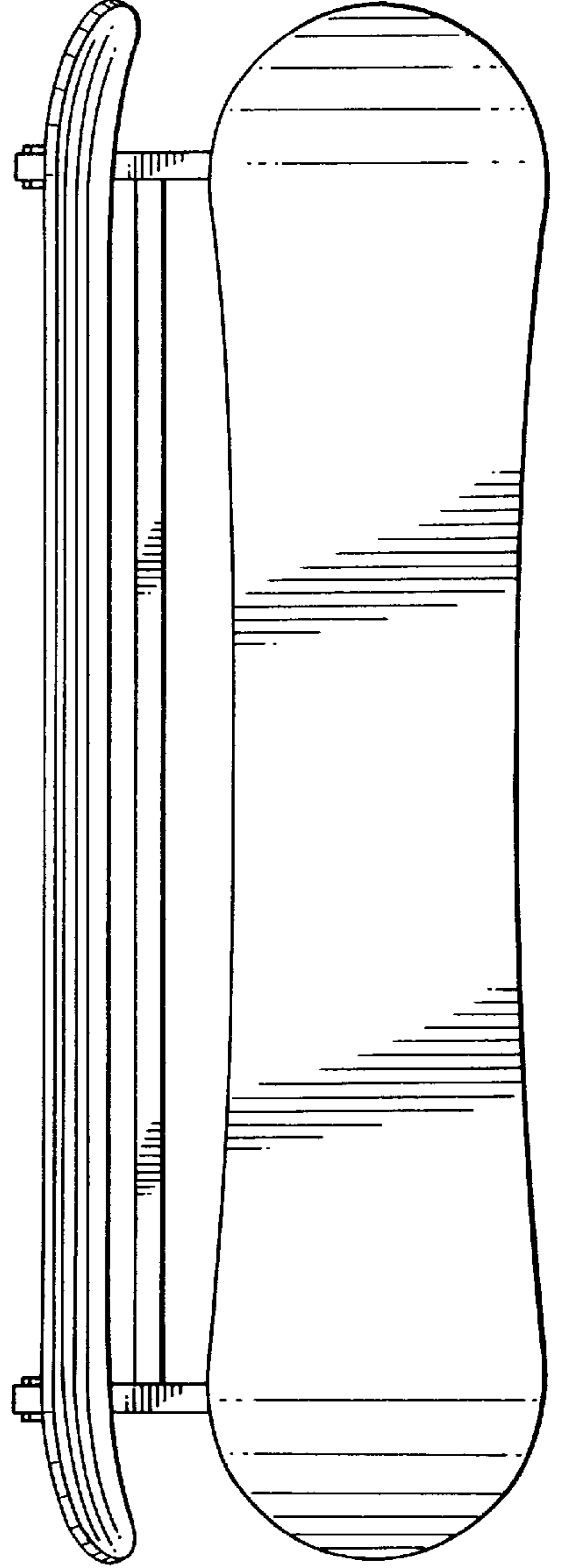


FIG. 4

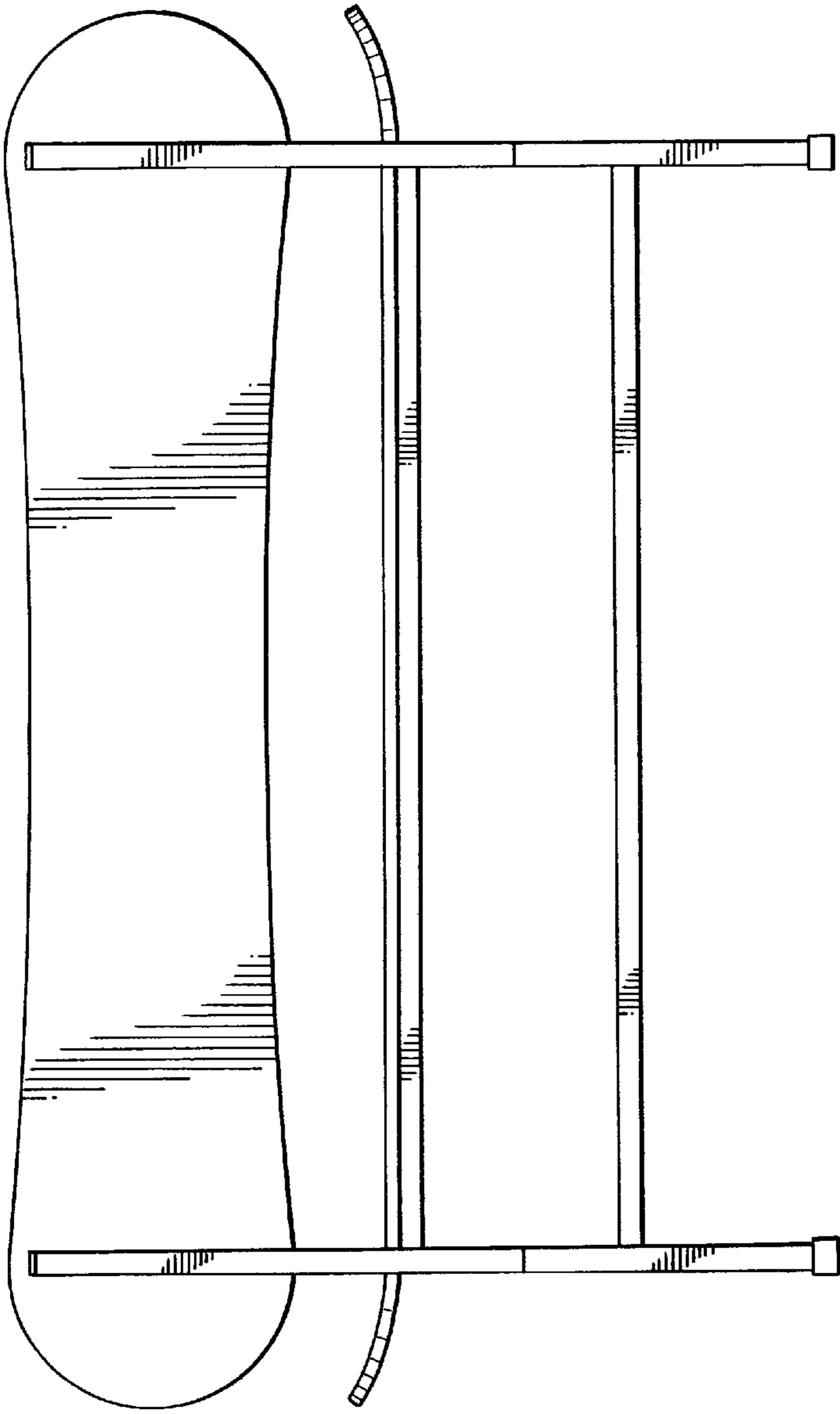


FIG. 5

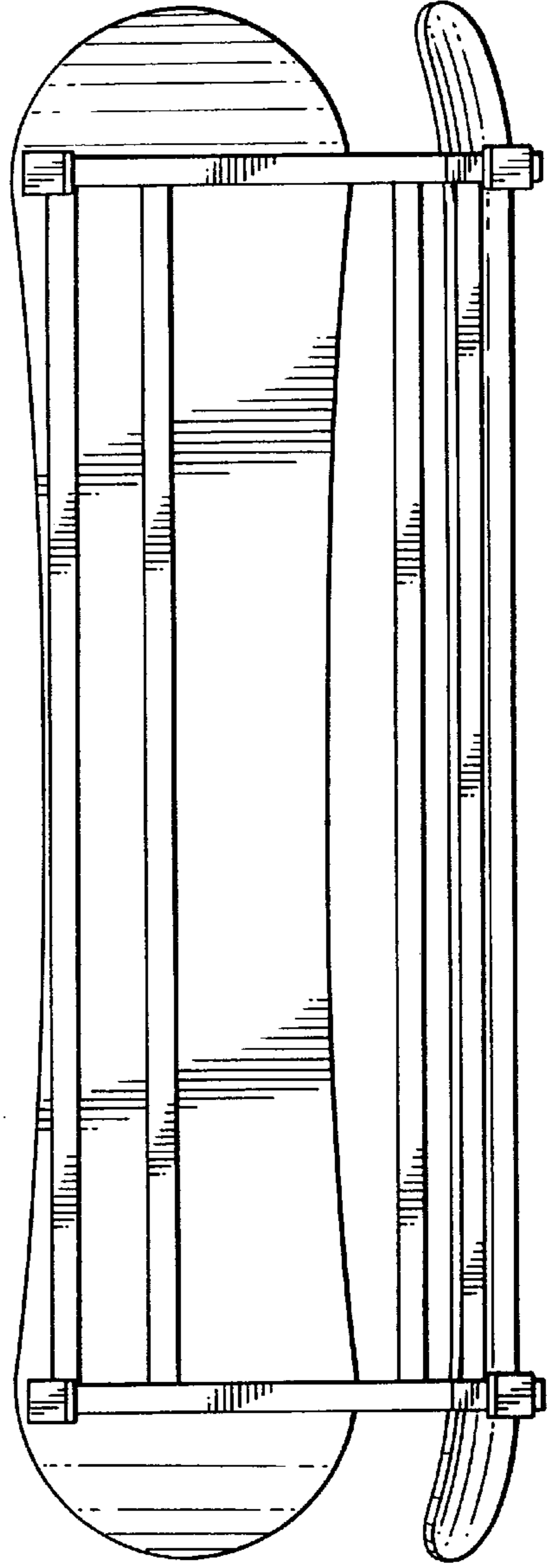


FIG. 6

FIG. 7

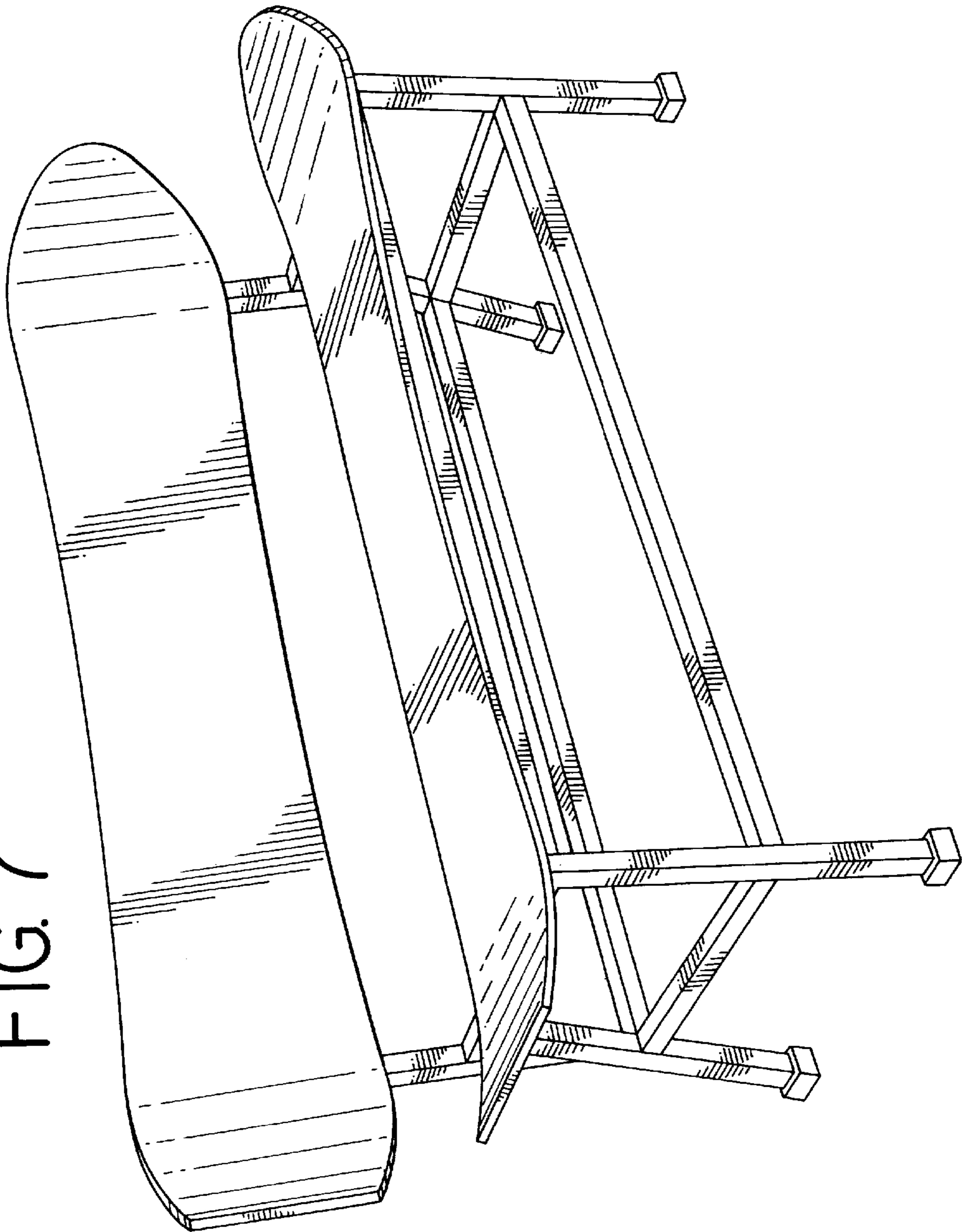
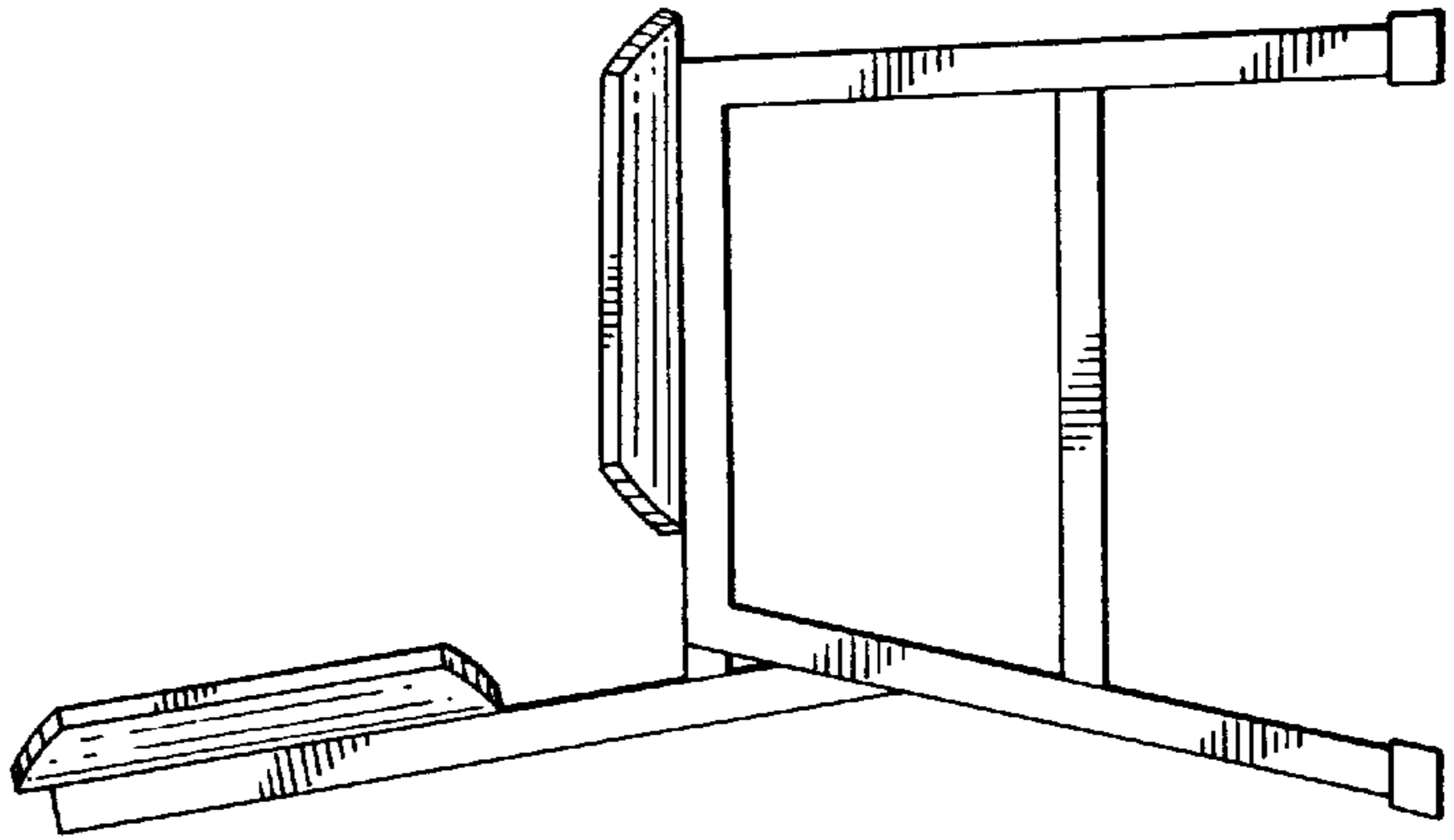


FIG. 8





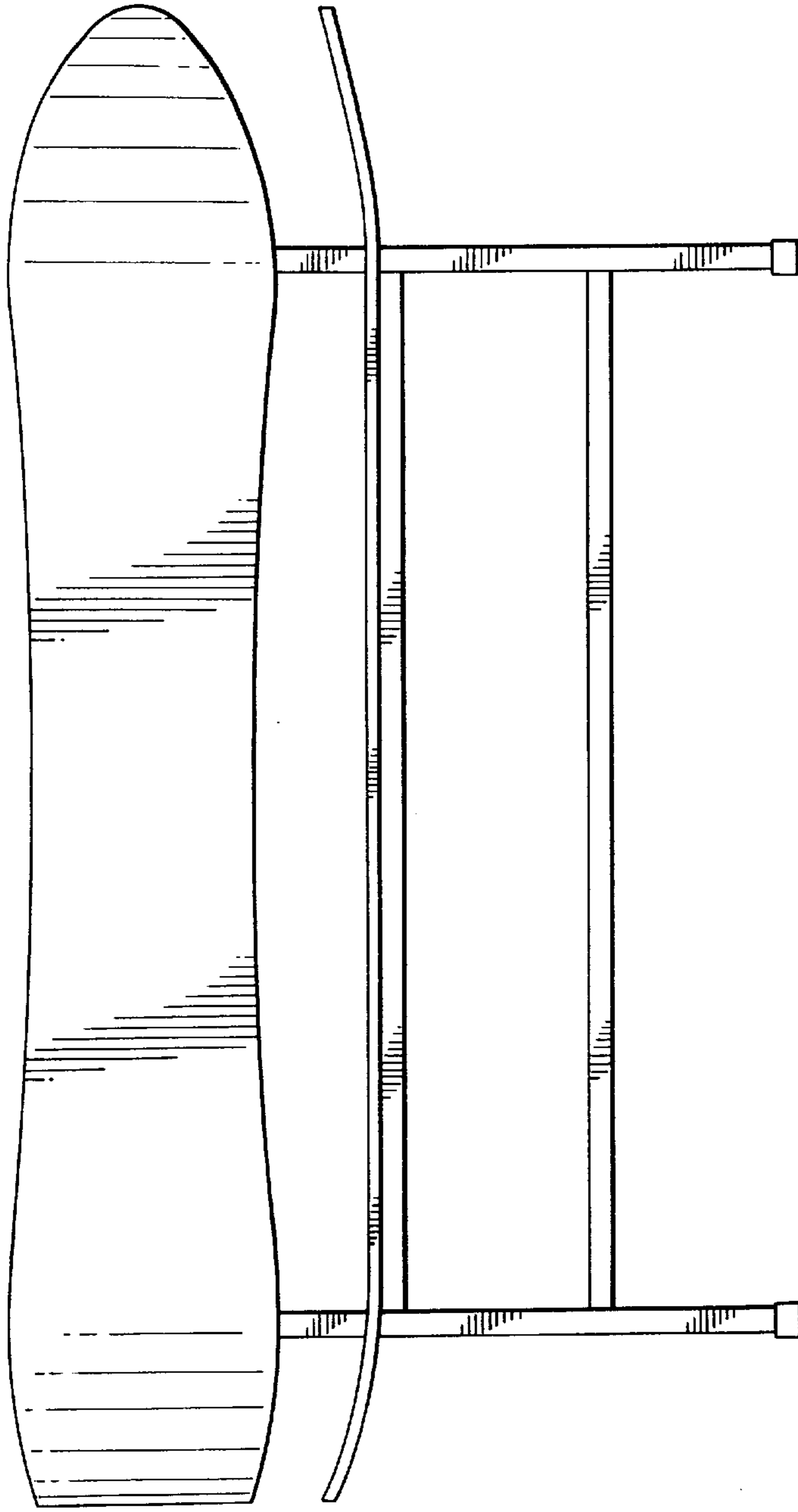


FIG. 9

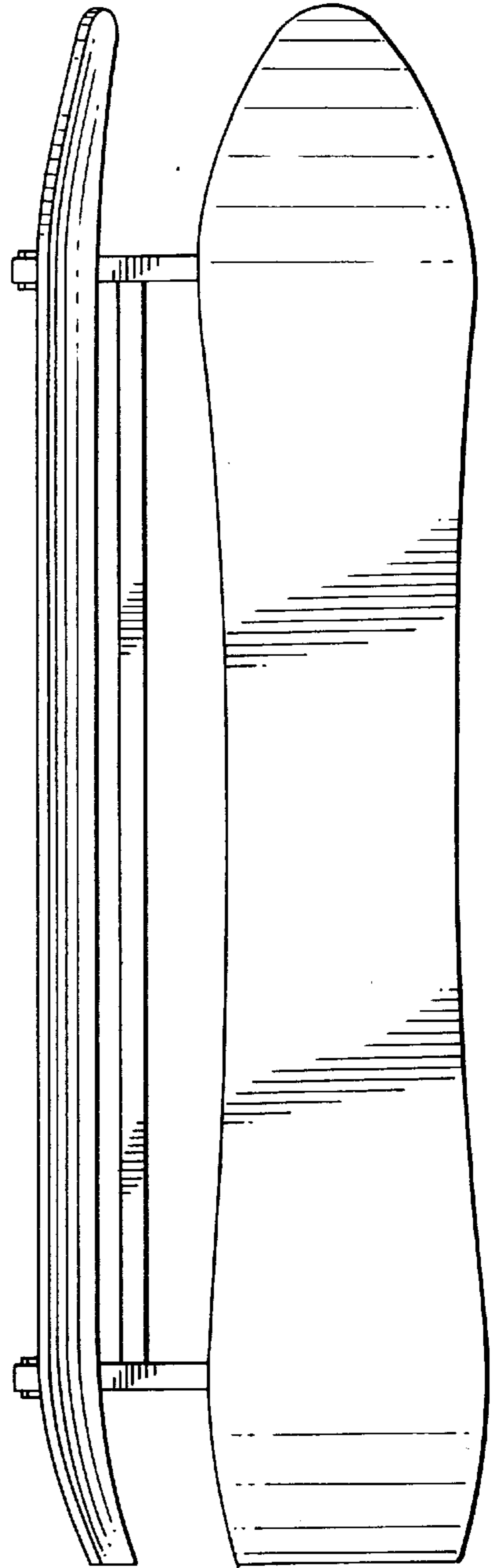


FIG. 10

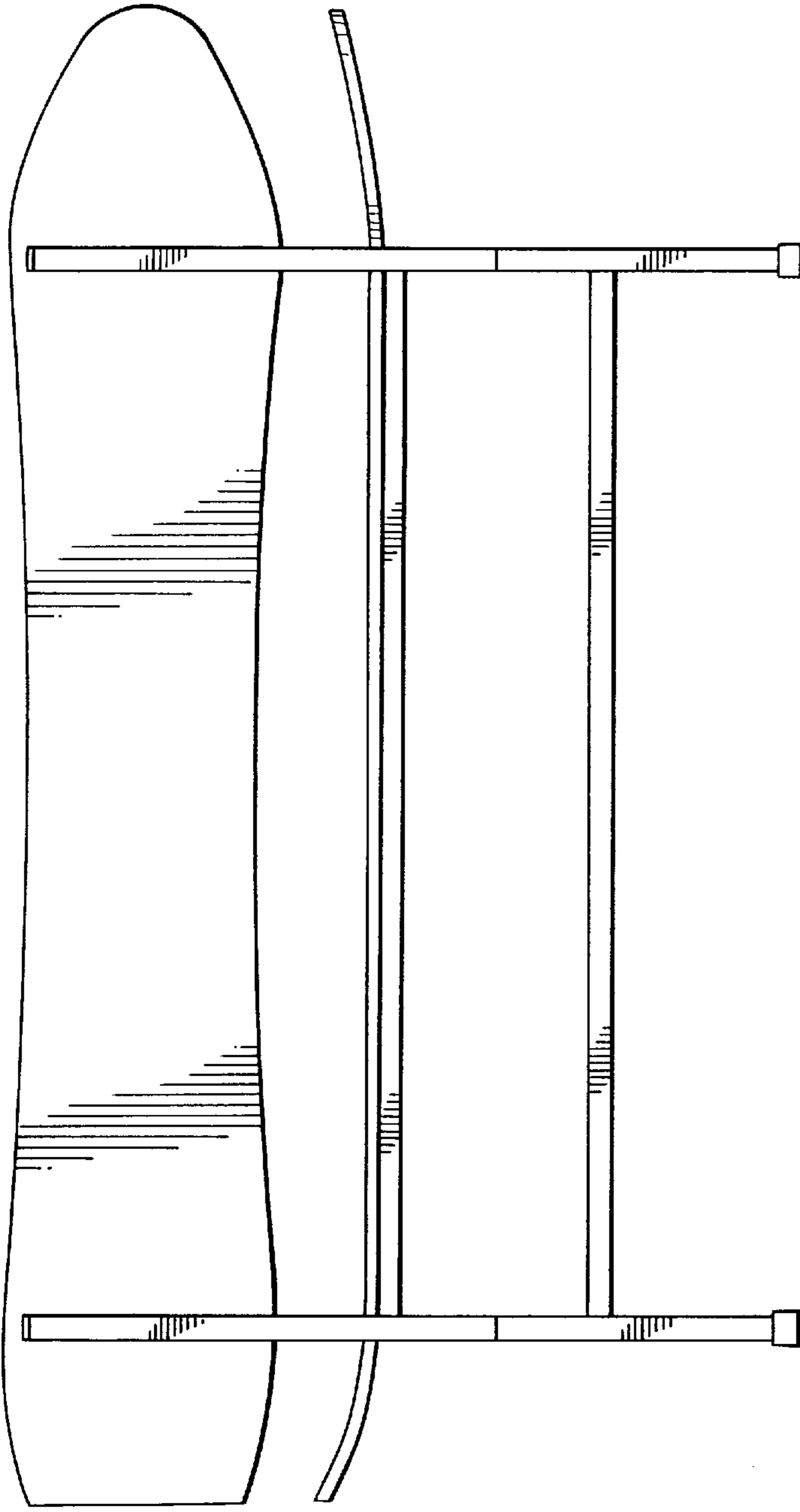


FIG. 11

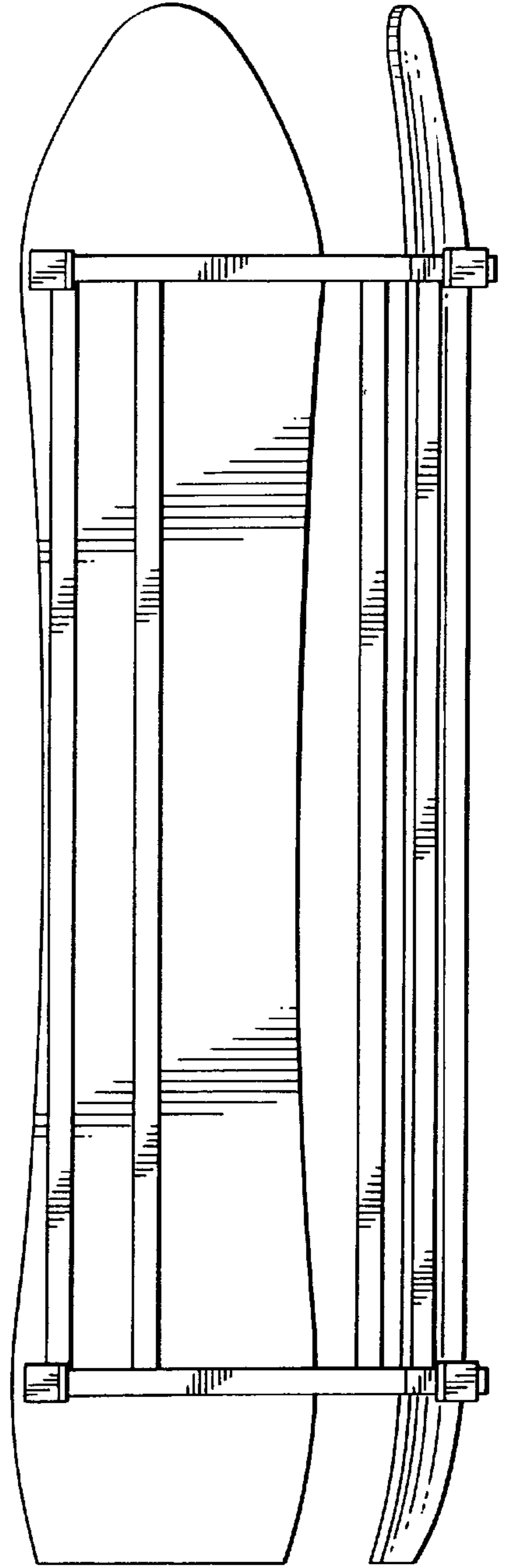


FIG. 12