



US00D404580S

**United States Patent** [19]  
**Hasler**

[11] **Patent Number: Des. 404,580**

[45] **Date of Patent: \*\*Jan. 26, 1999**

[54] **CAP STORAGE RACK**

5,762,206 6/1998 Leichter .

[76] Inventor: **Marvin H. Hasler**, 742 Western Ave.,  
Sheboygan Falls, Wis. 53085

*Primary Examiner*—B. J. Bullock  
*Attorney, Agent, or Firm*—Robert T. Johnson

[\*\*] Term: **14 Years**

[57] **CLAIM**

[21] Appl. No.: **83,765**

I claim the ornamental design for a cap storage rack, as shown and described.

[22] Filed: **Feb. 18, 1998**

**DESCRIPTION**

[51] **LOC (6) Cl.** ..... **06-08**

[52] **U.S. Cl.** ..... **D6/320; D6/570**

[58] **Field of Search** ..... D6/320, 552, 569,  
D6/570; 211/87.01, 89.01, 85.3, 32

FIG. 1 is a front elevational view of the new and ornamental design for cap storage rack, showing my new design; FIG. 2 is a right side elevational view thereof and; FIG. 3 is a top plan view thereof and; FIG. 4 is a left side elevational view thereof and; FIG. 5 is a bottom plan view thereof and; FIG. 6 is a rear elevational view thereof, and; FIG. 7 is a reduced perspective view of the new and ornamental design for a cap storage rack.

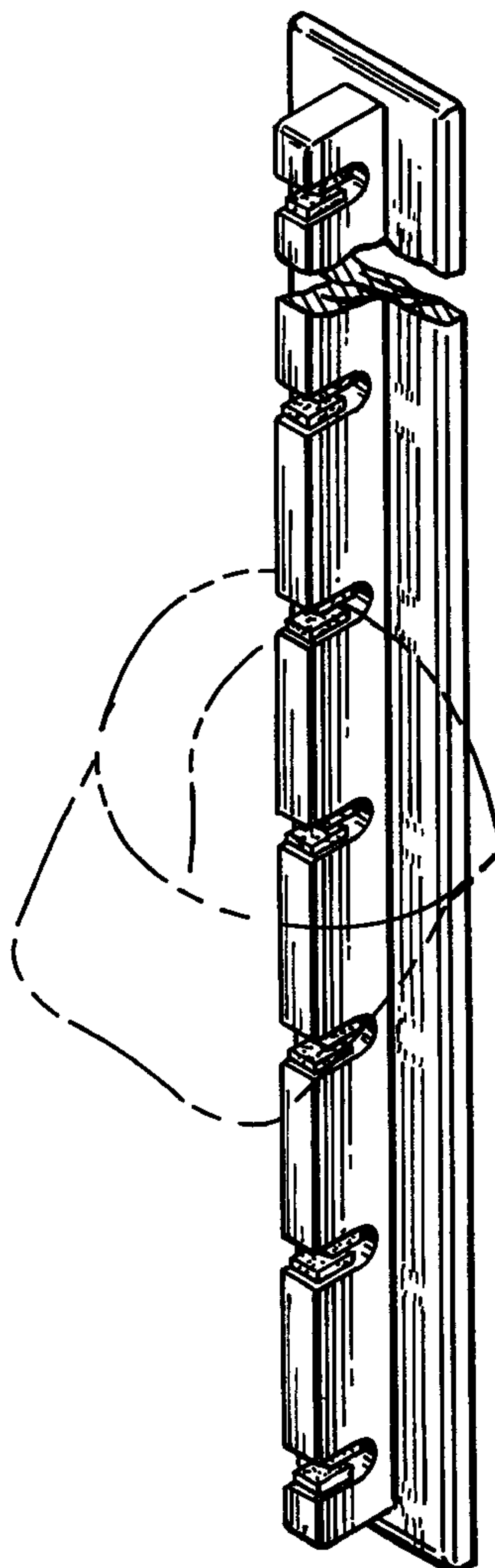
[56] **References Cited**

**U.S. PATENT DOCUMENTS**

D. 324,960	3/1992	Rodack .	
D. 326,366	5/1992	Fung .	
D. 369,910	5/1996	McCarty .....	D6/320
D. 377,123	1/1997	Hutchens .....	D6/323
3,202,293	8/1965	Franklin .....	211/96
5,038,941	8/1991	Bastiaansen .....	211/32
5,396,994	3/1995	Fitzgerald .....	211/32
5,411,144	5/1995	Deupree .....	211/30

The broken-line disclosures in the views are for illustrative purposes only, and form no part of the claimed design. The cap storage rack is shown broken away to indicate indeterminate length.

**1 Claim, 2 Drawing Sheets**



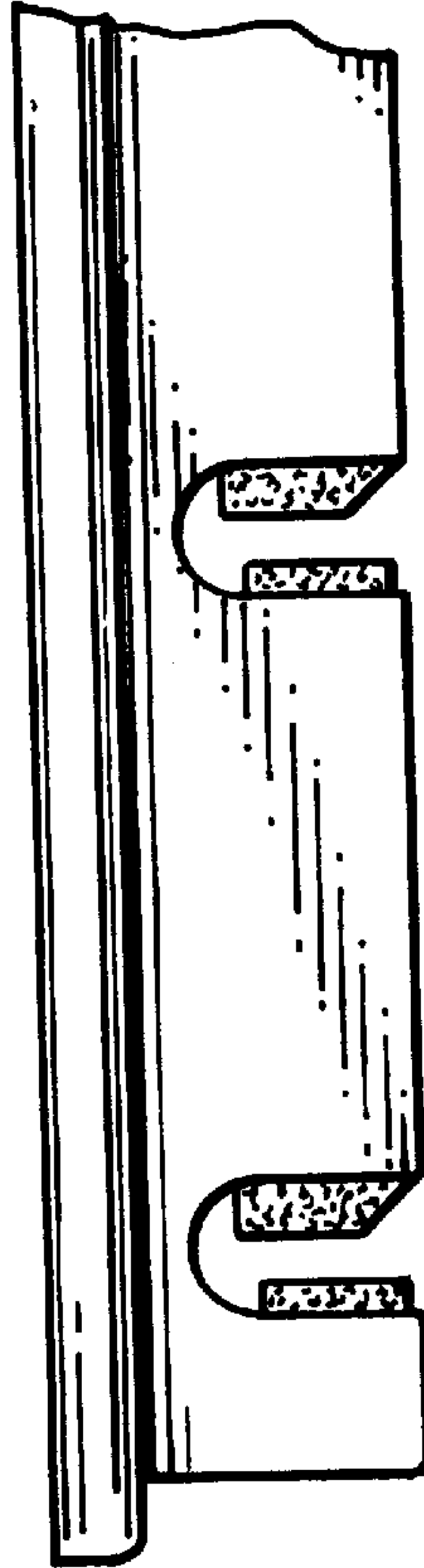
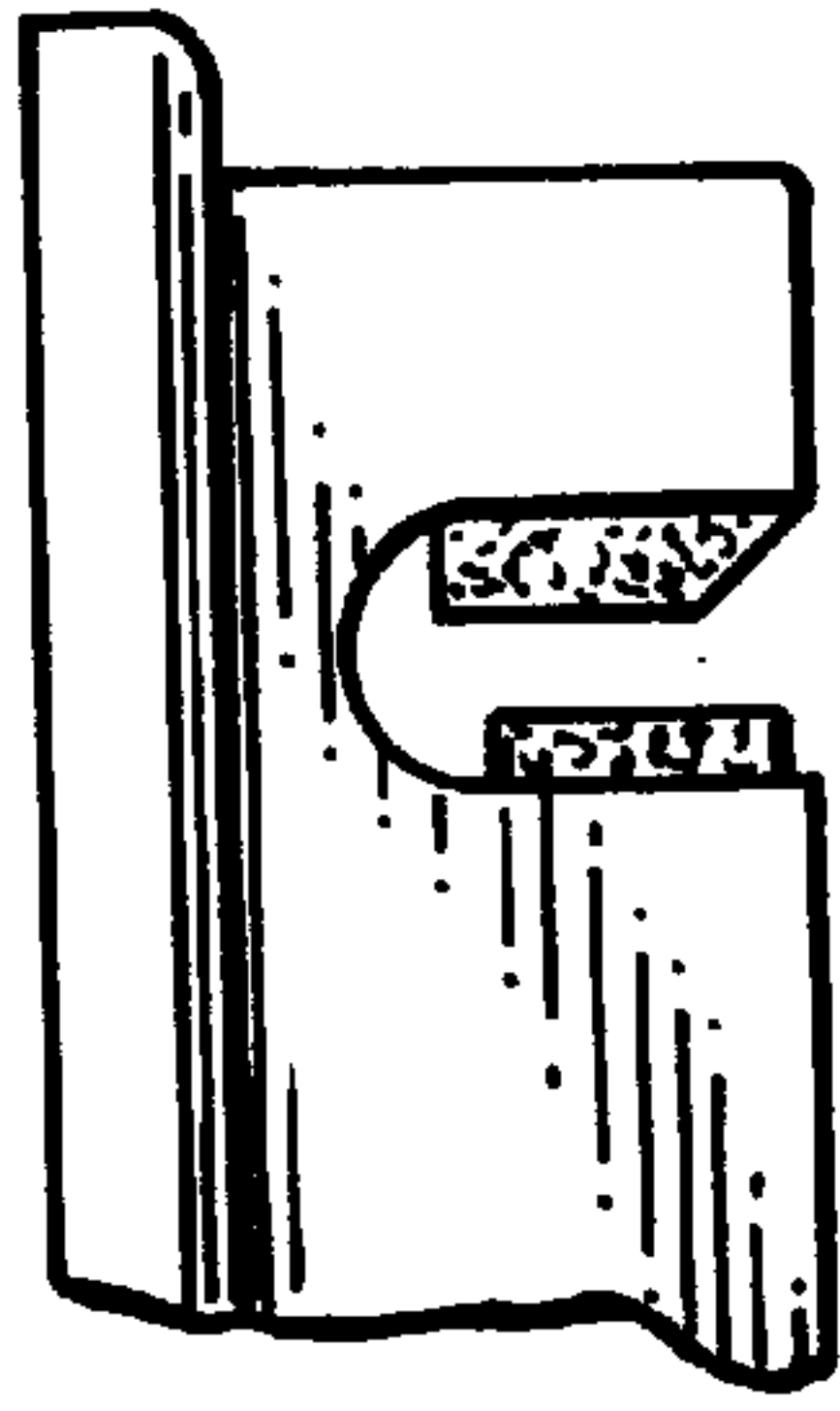
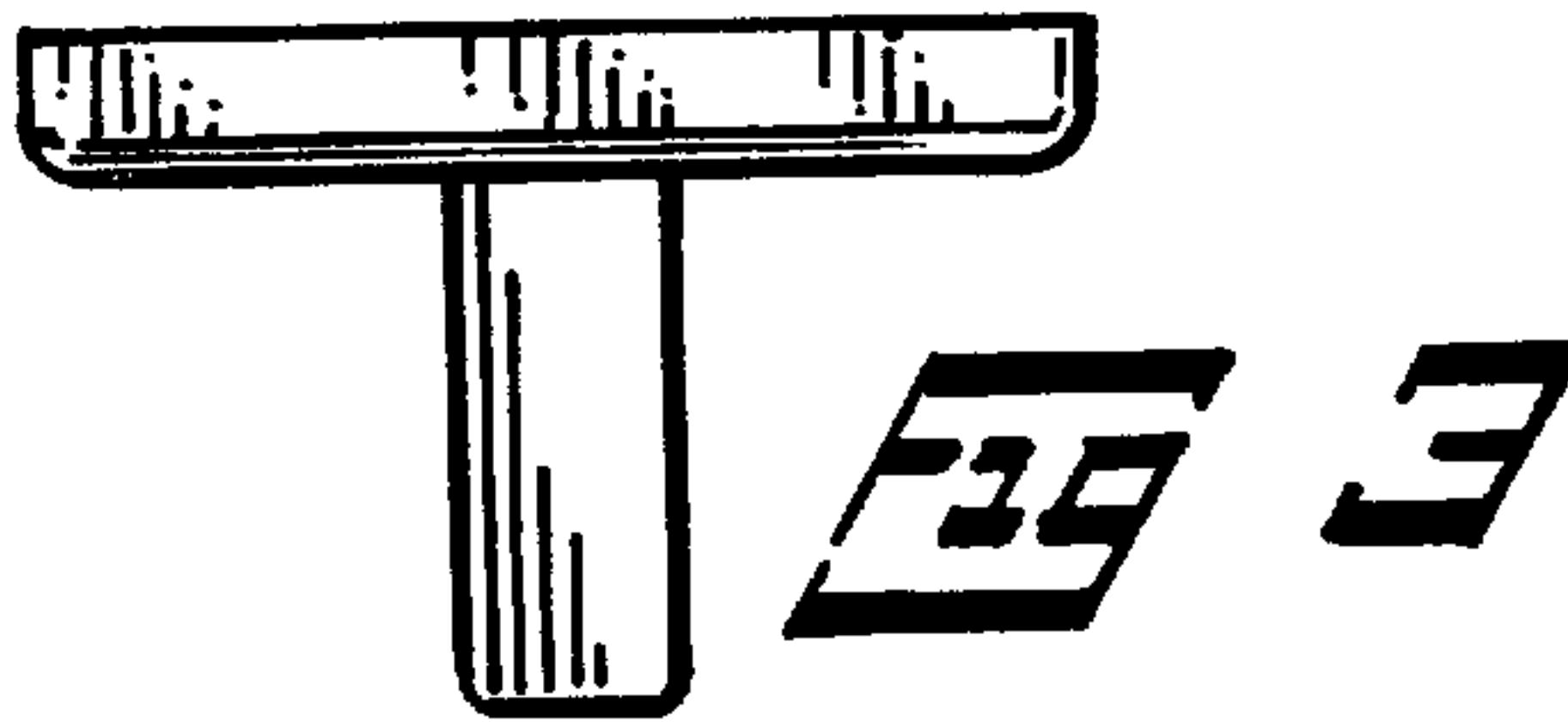


FIG. 2

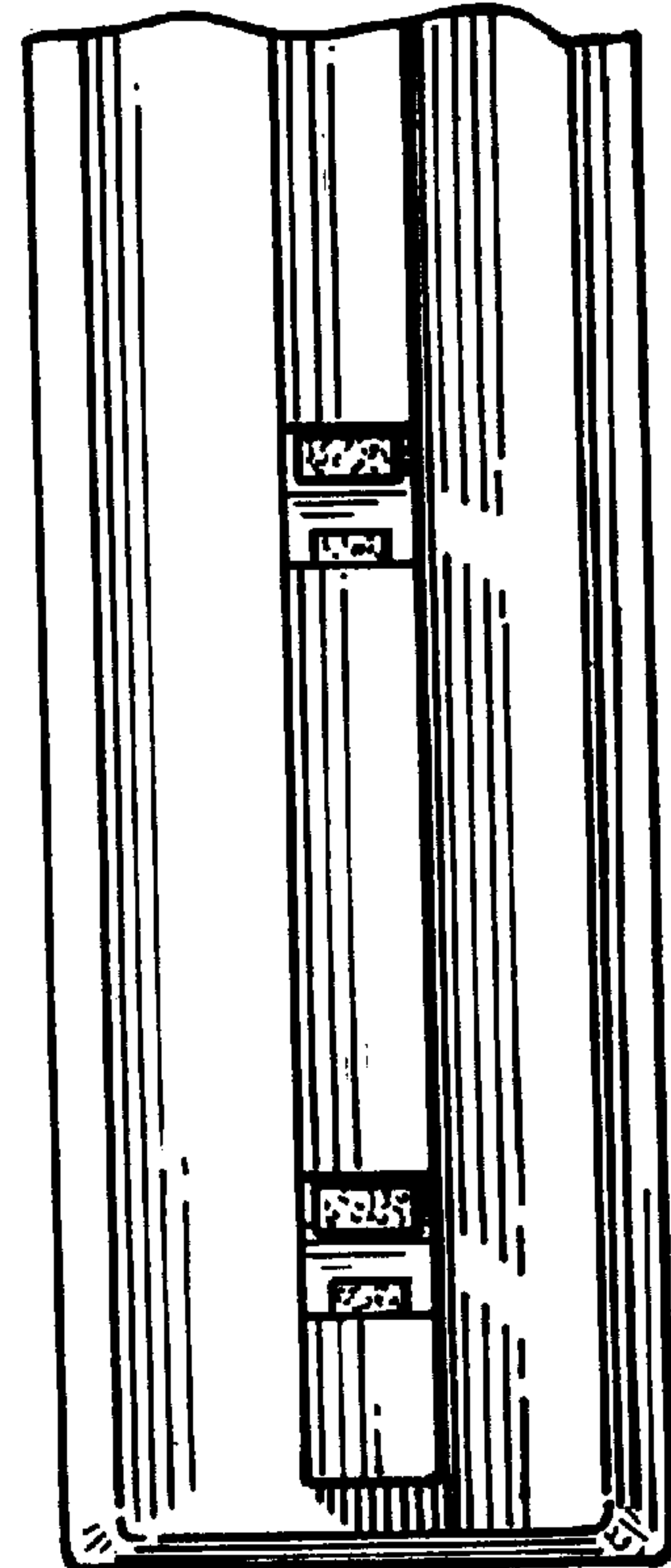
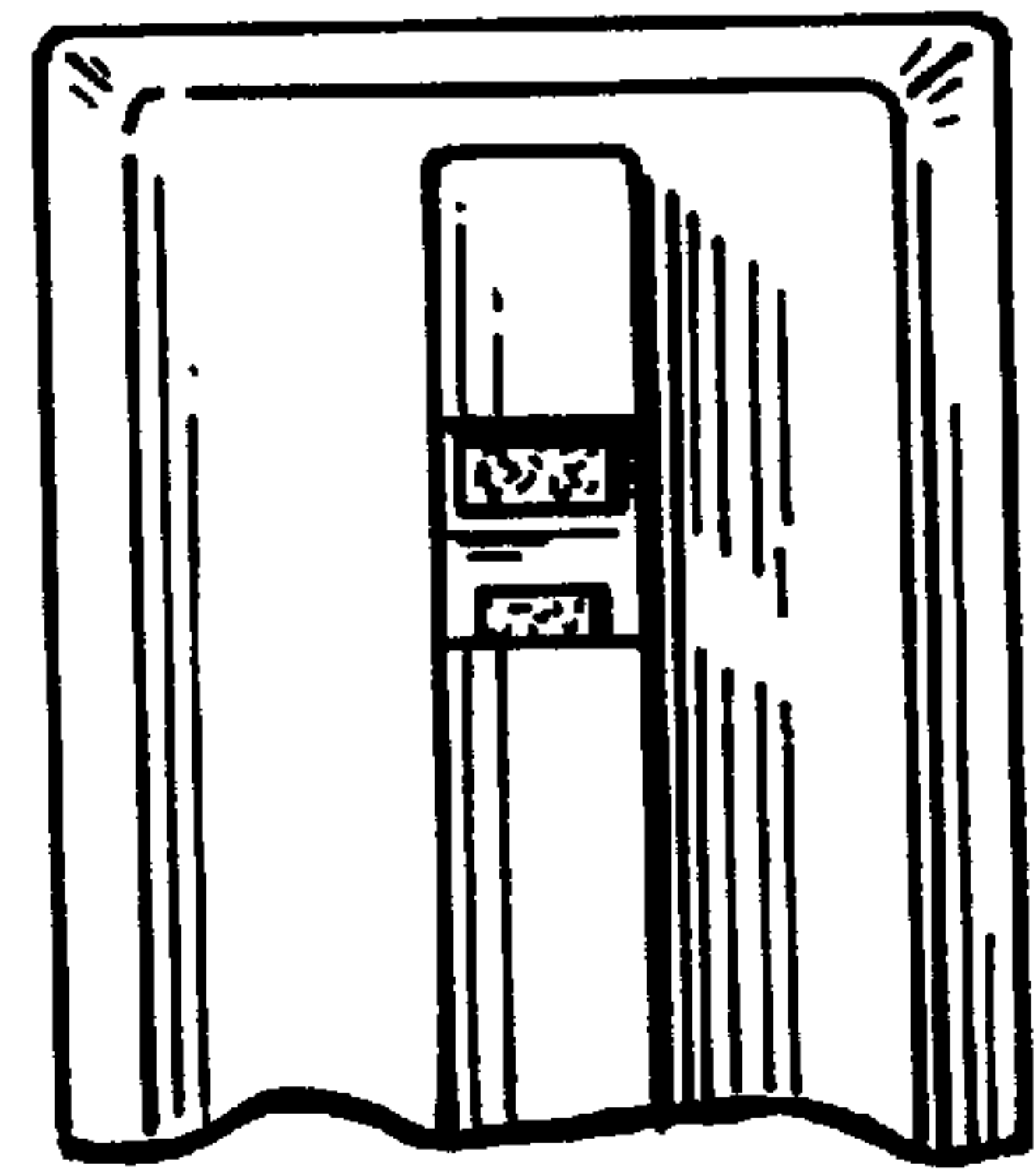


FIG. 1

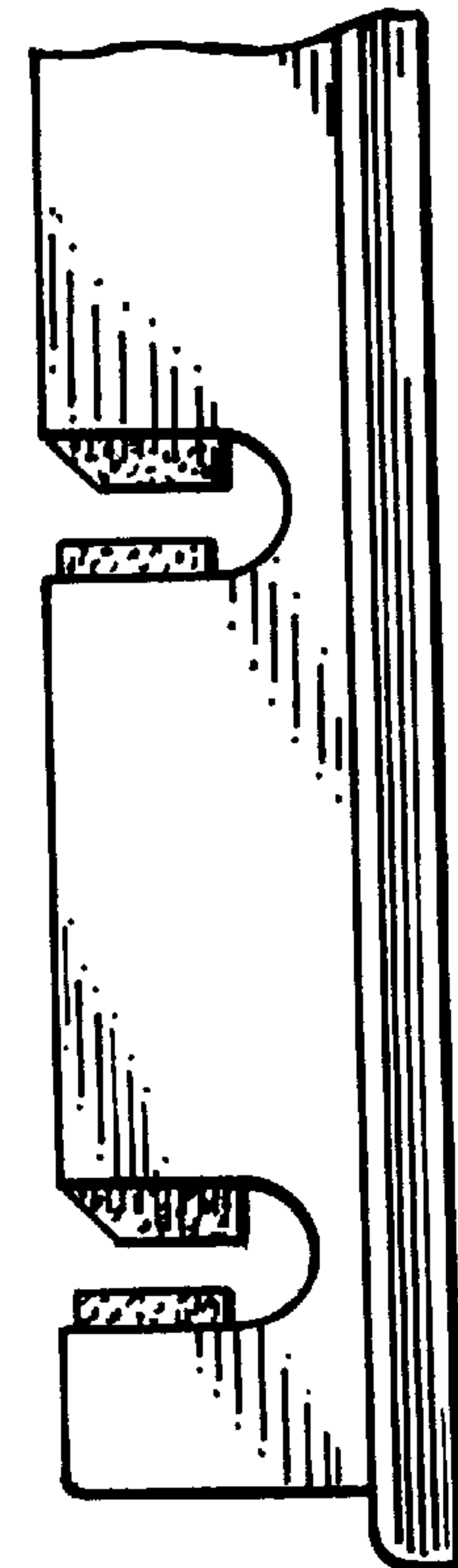
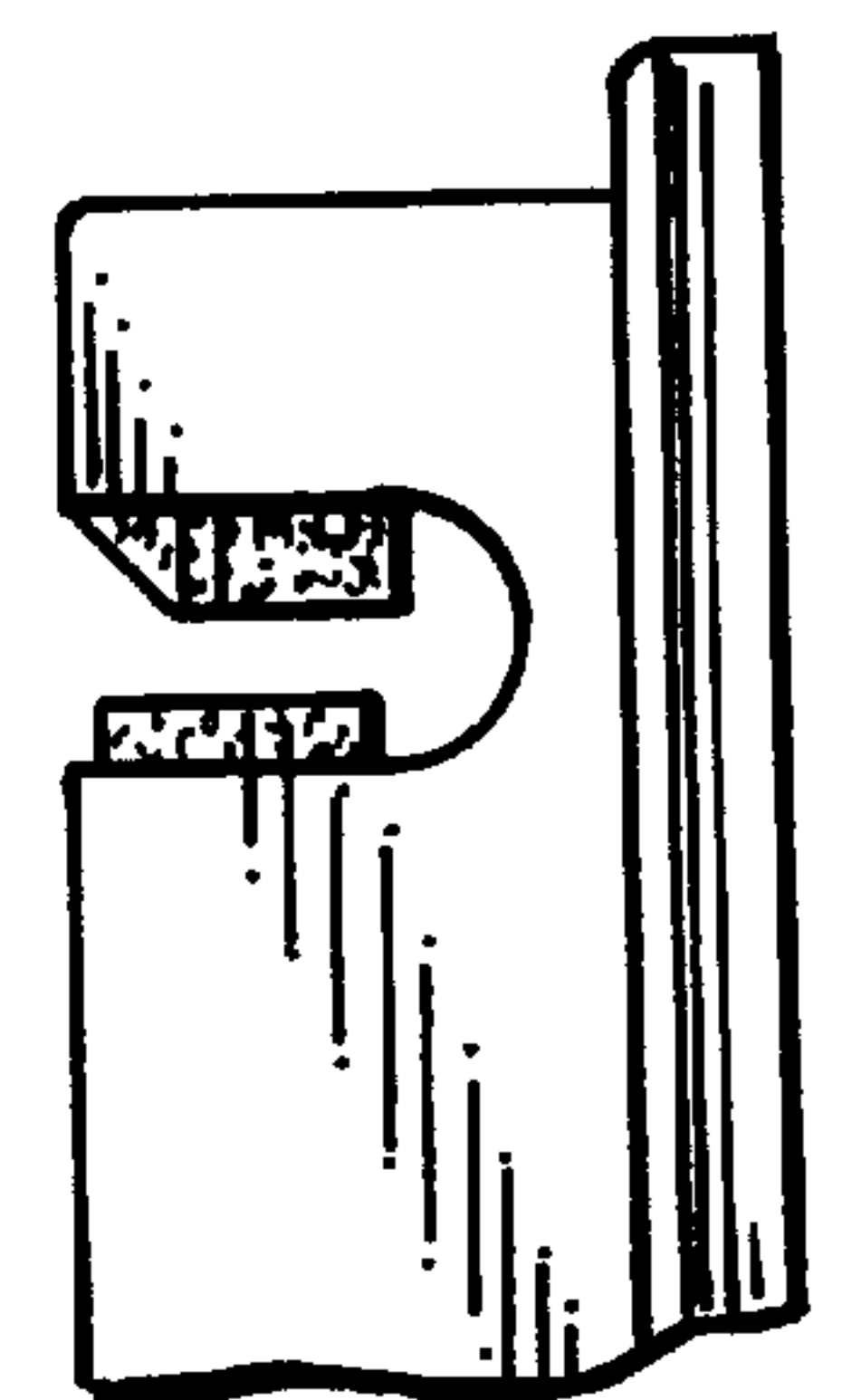


FIG. 4

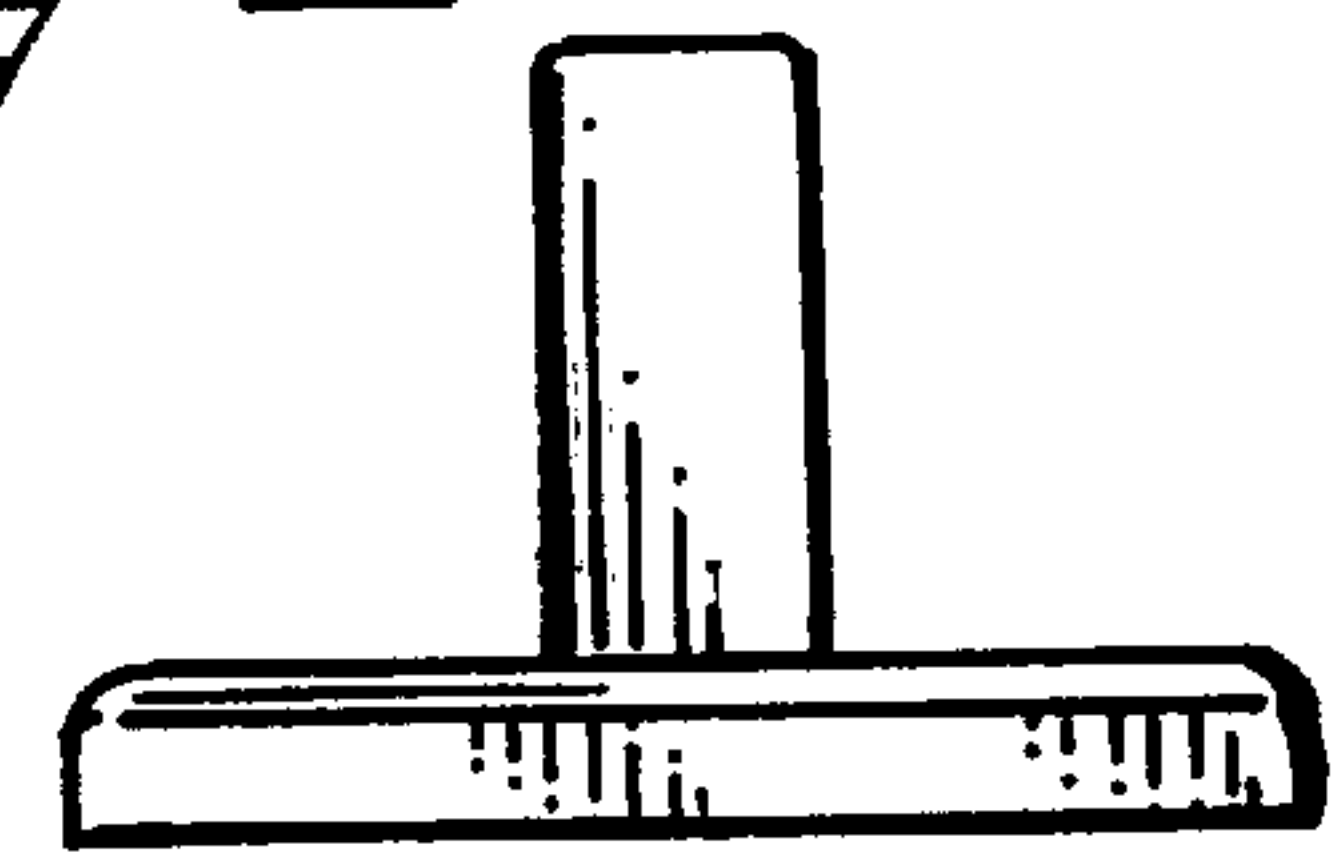


FIG. 5

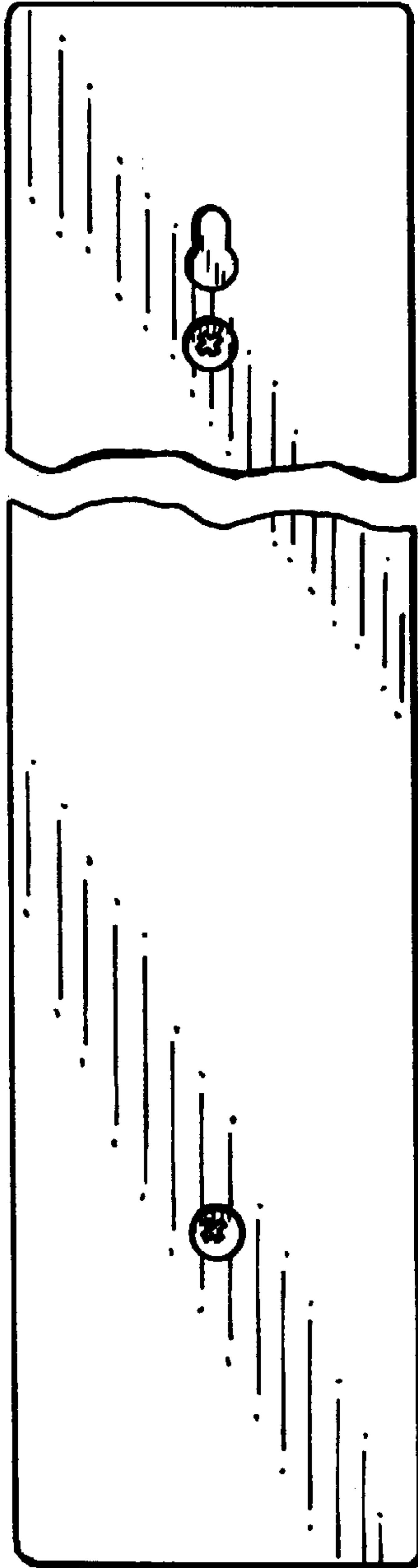


FIG 6

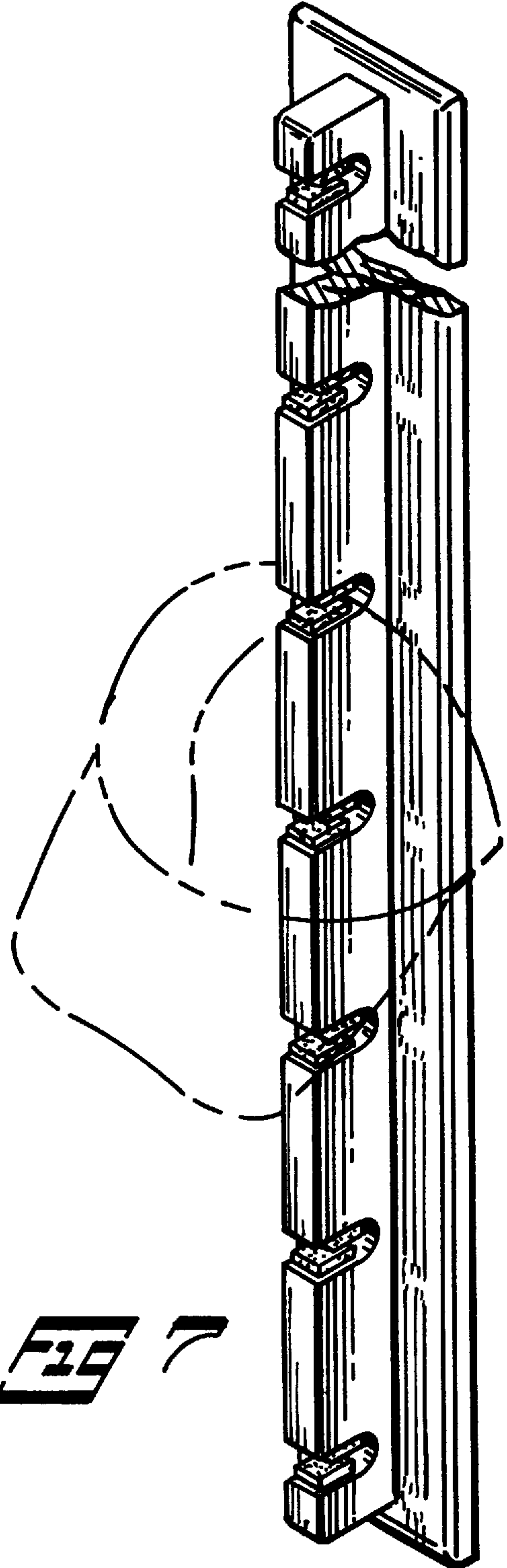


FIG 7