



US00D404577S

United States Patent [19]
Schildkraut

[11] **Patent Number: Des. 404,577**
[45] **Date of Patent: **Jan. 26, 1999**

[54] **ROTATING BELT HOLDER**

5,664,708 9/1997 Sacks .

[75] Inventor: **Micki Schildkraut**, Kings Point, N.Y.

OTHER PUBLICATIONS

[73] Assignee: **E & B Giftware, Inc.**, Mount Vernon, N.Y.

Hold Everything Cat., P. 43, 9-Rotating Accessory Hangers, Mar. 1996.

[**] Term: **14 Years**

Primary Examiner—B. J. Bullock
Attorney, Agent, or Firm—Amster, Rothstein & Ebenstein

[21] Appl. No.: **67,898**

[57] **CLAIM**

[22] Filed: **Feb. 28, 1997**

The ornamental design for a rotating belt holder, as shown and described.

[51] **LOC (6) Cl.** **06-08**

[52] **U.S. Cl.** **D6/315**

[58] **Field of Search** D6/315, 317, 513,
D6/322; 311/113, 119, 70; 223/85, DIG. 1

DESCRIPTION

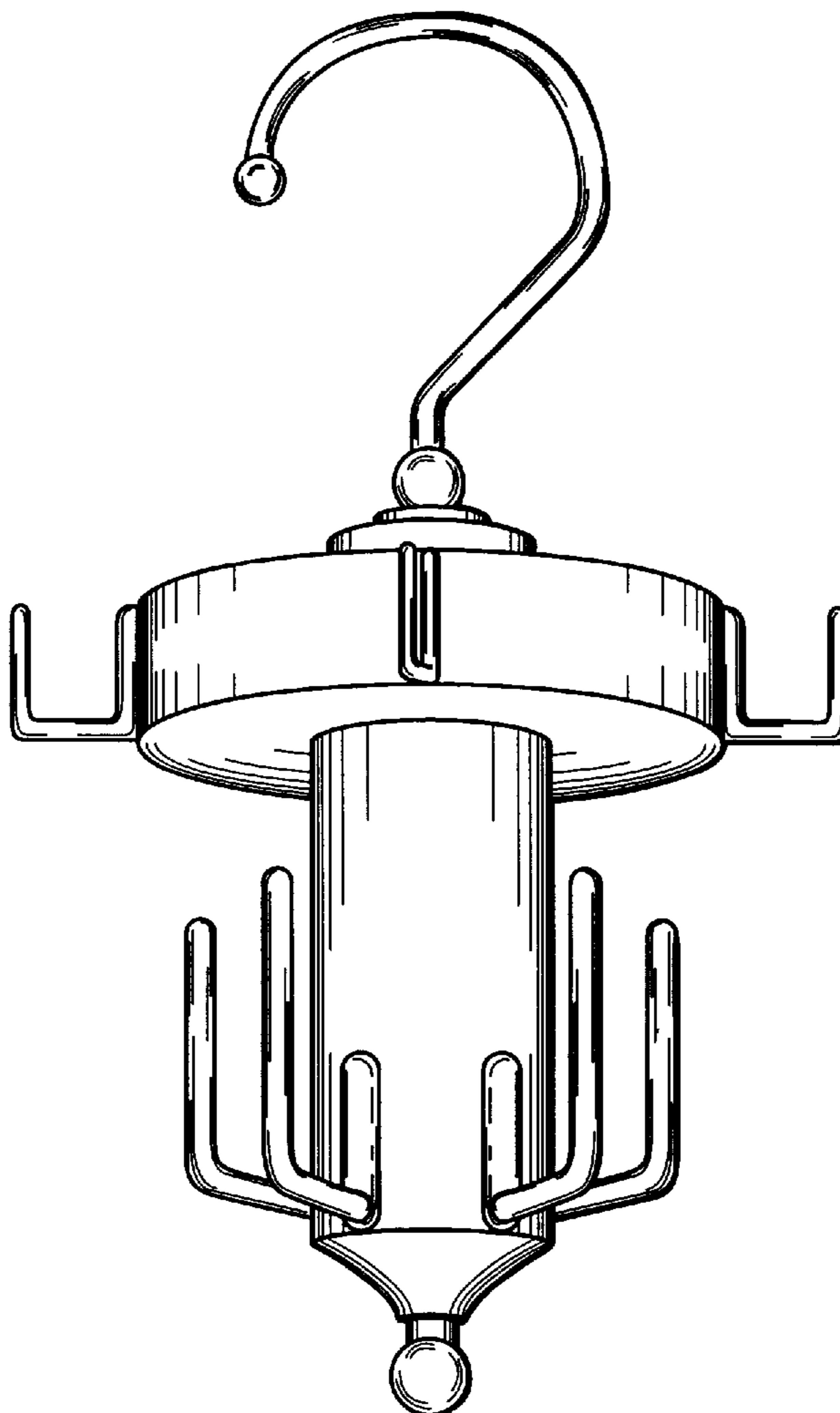
FIG. 1 is a perspective view from the bottom and front for a rotating belt holder showing my new design;
FIG. 2 is a front view thereof;
FIG. 3 is a back view thereof;
FIG. 4 is a left side view thereof;
FIG. 5 is a right side view thereof;
FIG. 6 is a top view thereof; and,
FIG. 7 is a bottom view thereof.

[56] **References Cited**

U.S. PATENT DOCUMENTS

- D. 196,469 10/1963 Kennedy .
- D. 365,214 12/1995 Wilcox .
- D. 369,909 5/1996 Sacks .
- 5,437,378 8/1995 Ta .

1 Claim, 4 Drawing Sheets



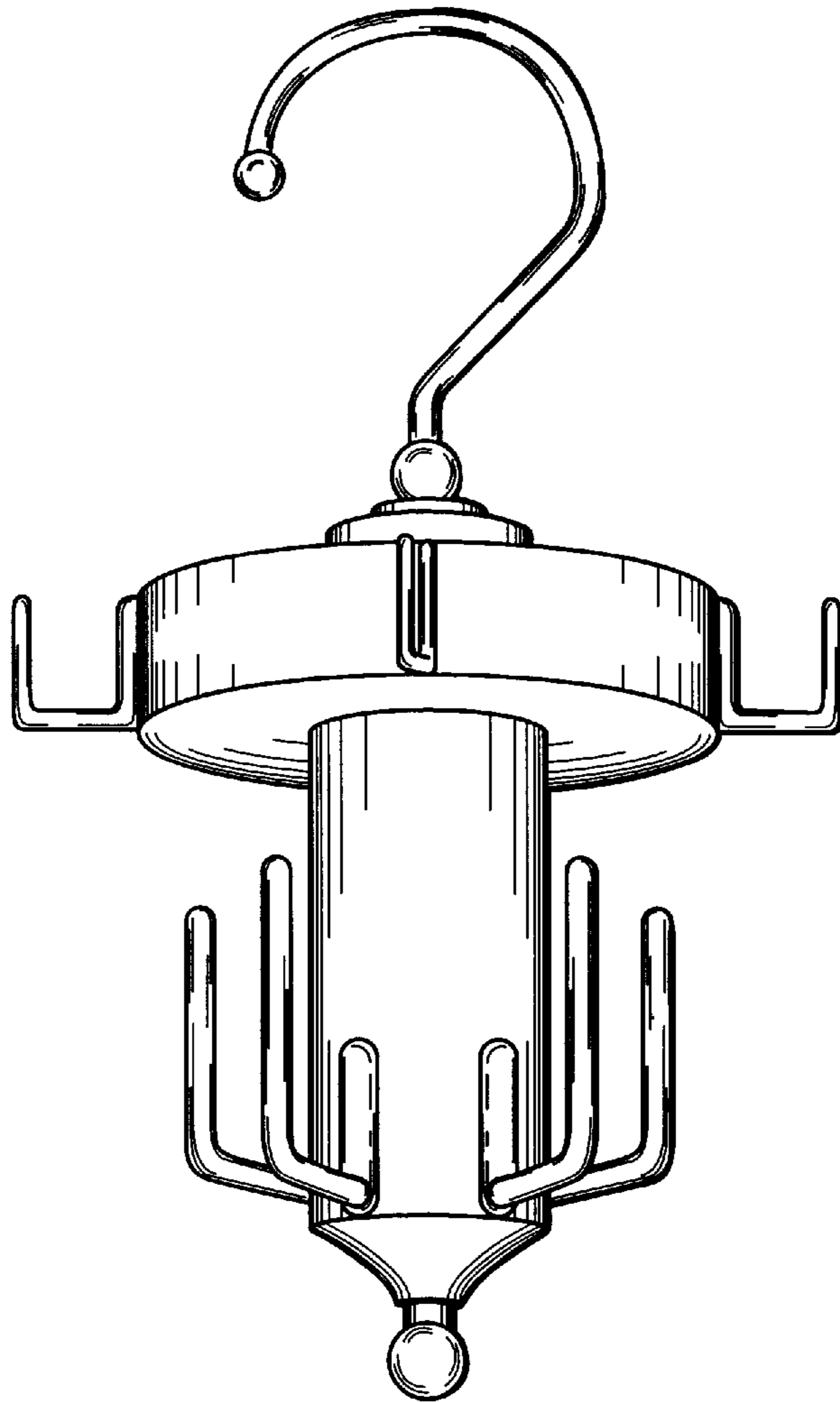


FIG. 1

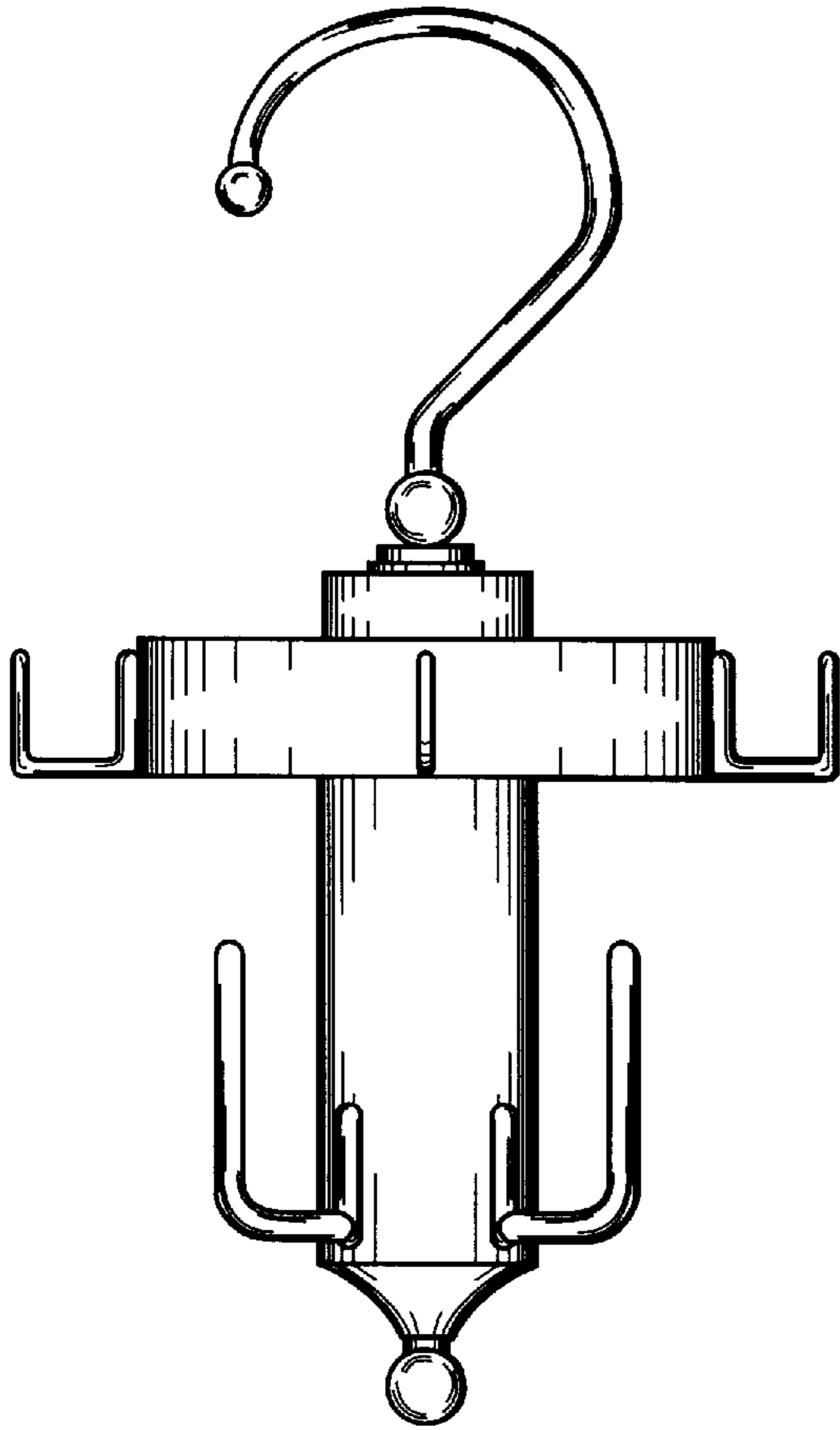


FIG. 2

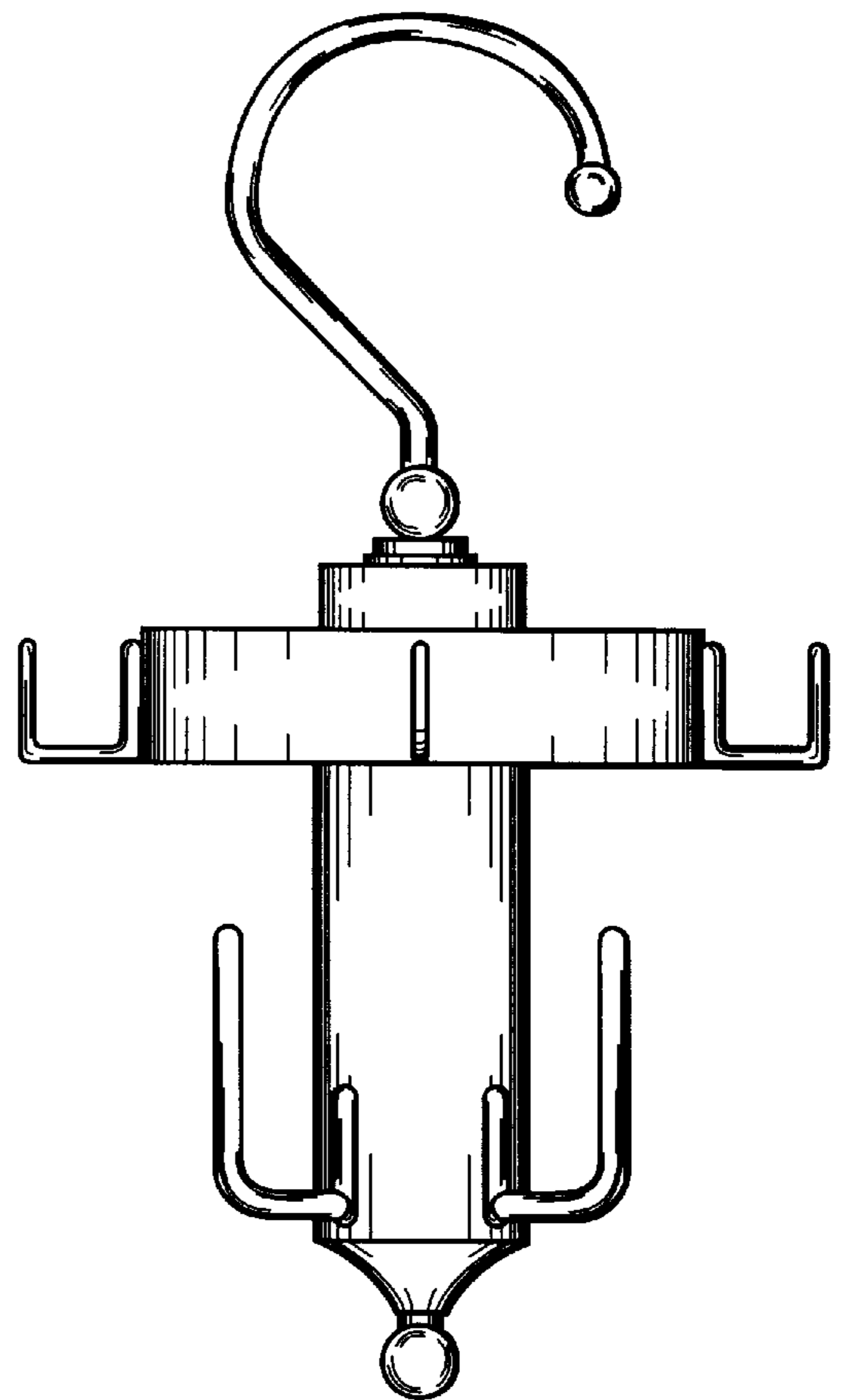


FIG. 3

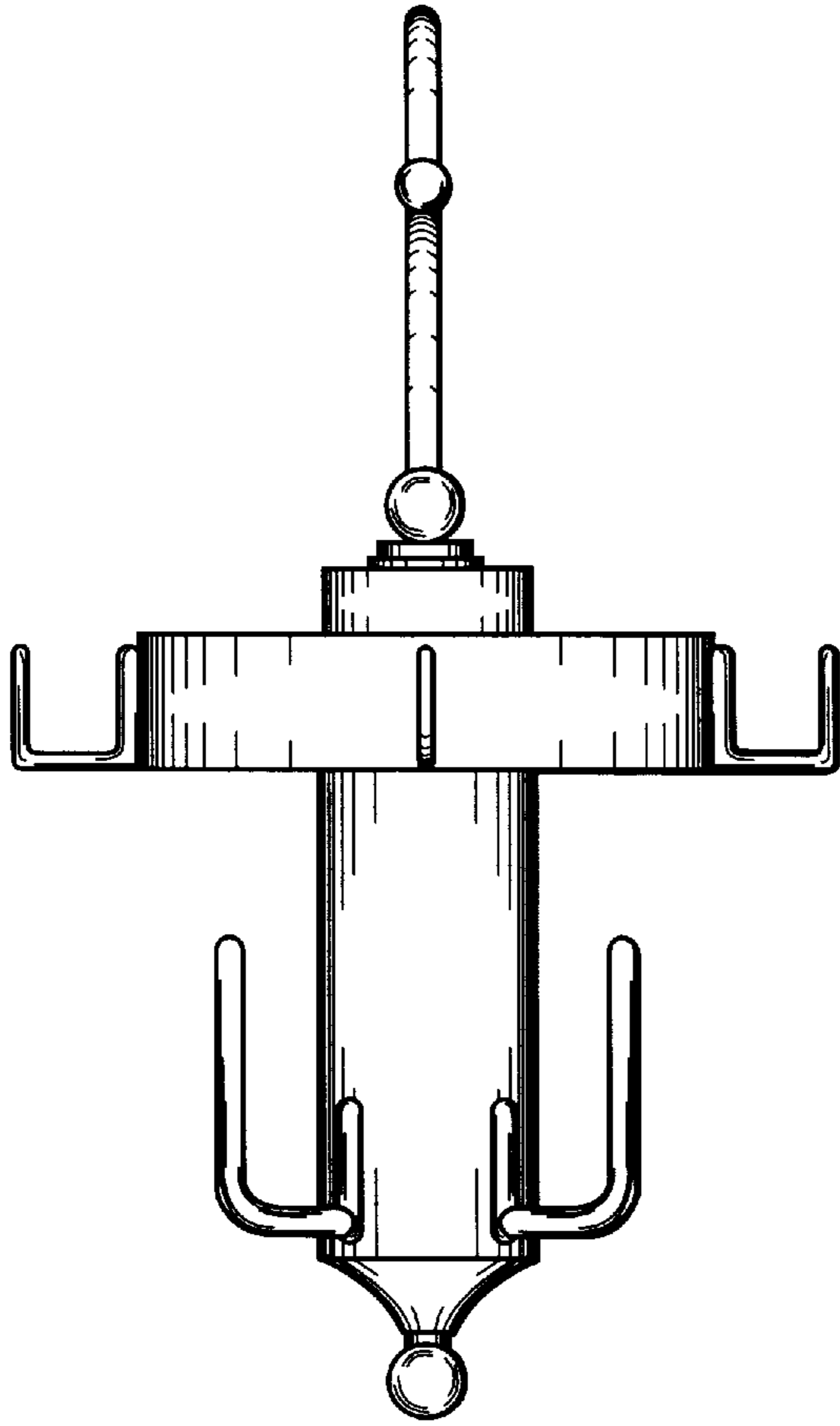


FIG. 4

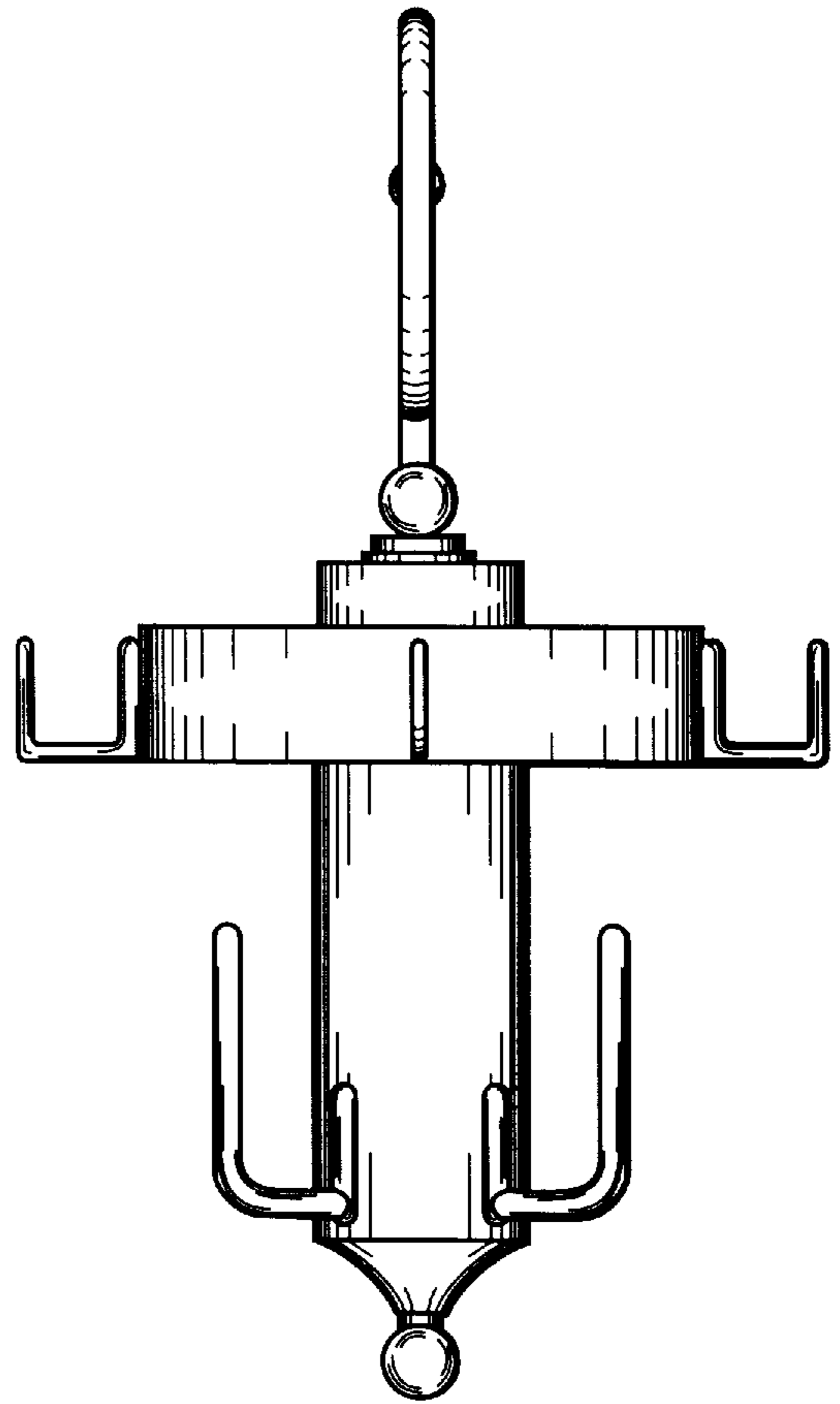


FIG. 5

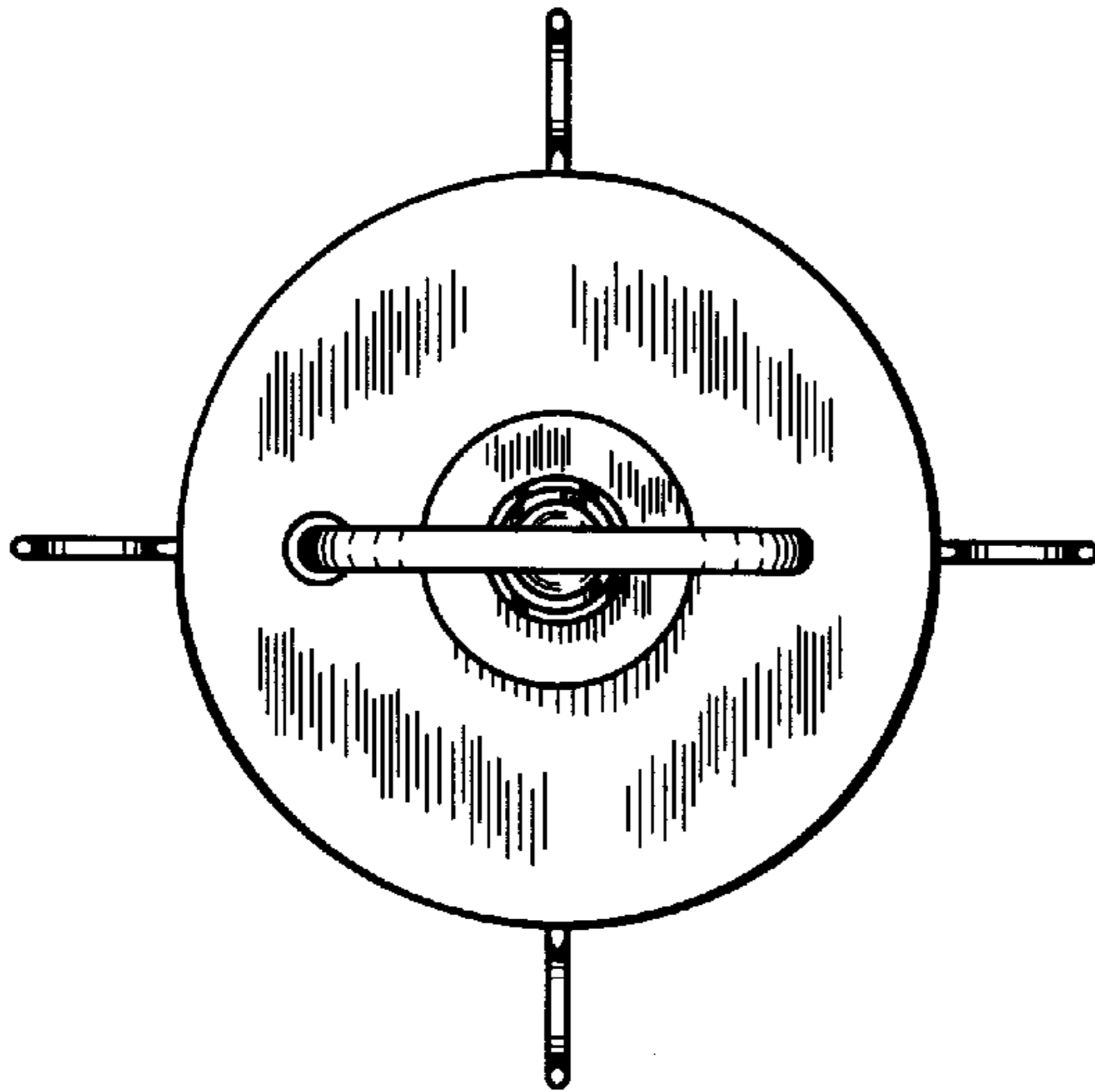


FIG. 6

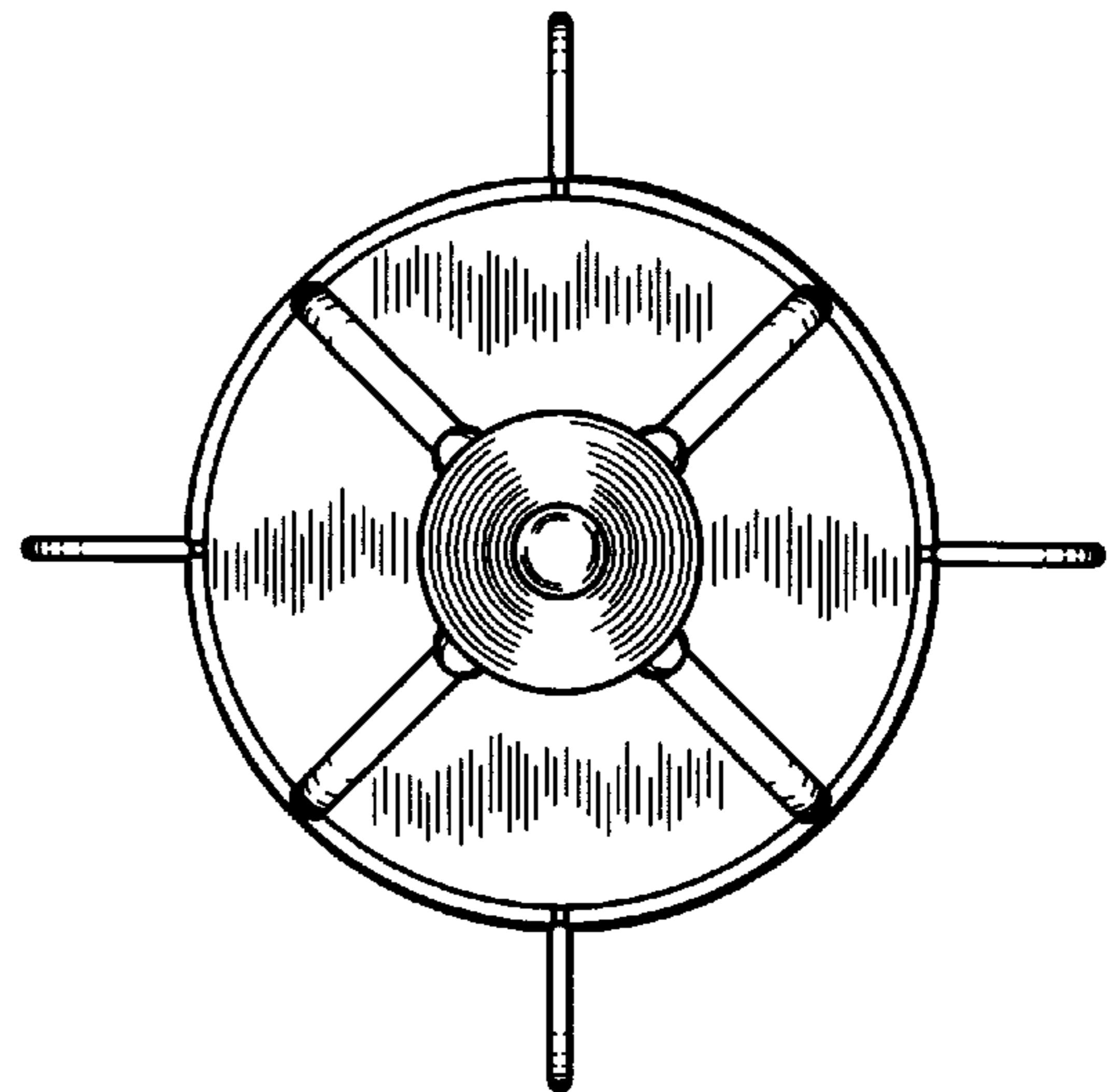


FIG. 7