



US00D404576S

United States Patent [19] McEachen

[11] **Patent Number: Des. 404,576**

[45] **Date of Patent: **Jan. 26, 1999**

[54] **TOY EASEL**

[75] Inventor: **Peter C. McEachen**, Cleveland Heights, Ohio

[73] Assignee: **The Little Tikes Company**, Hudson, Ohio

[**] Term: **14 Years**

[21] Appl. No.: **79,189**

[22] Filed: **Oct. 29, 1997**

[51] **LOC (6) Cl. 06-07**

[52] **U.S. Cl. D6/312; D6/300; D6/420; D19/52; D19/88**

[58] **Field of Search D6/300-303, 308-312, D6/314, 420; D19/52, 88; 248/441.1, 445, 450, 451, 454, 455, 460; 40/700, 711, 714-716, 745, 749, 765-767, 790, 798**

[56] **References Cited**

U.S. PATENT DOCUMENTS

D. 236,774	9/1975	Cowley	D6/420
D. 236,775	9/1975	Cowley	D6/420
D. 346,287	4/1994	Rosen	D6/429
D. 354,400	1/1995	Cacciola	D6/300
1,888,773	11/1932	Ruelland .	
2,000,558	5/1935	Dawson et al.	120/33
2,636,702	4/1953	Brody .	
3,604,727	9/1971	Wilkin	281/42
4,824,064	4/1989	Oncale	248/441.1
5,083,663	1/1992	Conway et al.	206/45.26
5,083,737	1/1992	Rifkin	248/454

OTHER PUBLICATIONS

Modern Plastics Encyclopedia, 1948, p. 29.
P. 16, Toy easel; Early Learning Centre, 45 Regent Street, Swindon SN1 1LB. Publication date 1983-84.

Catalog page, Toy easel; Step 2 Corporation, 2200 Highland Road, P. O. Box 444, Twinsburg, Ohio 44087. Publication date 1993.

Pp. 74 and 75, Toy easels; The Little Tikes Company, 2180 Barlow Road, Hudson, Ohio 44236. Publication date 1996.

Primary Examiner—Janice E. Seeger
Attorney, Agent, or Firm—Richard B. O’Planick

[57] **CLAIM**

The ornamental design for a toy easel, as shown and described.

DESCRIPTION

FIG. 1 is a top right front perspective view of a toy easel showing my new design;

FIG. 2 is a left side elevational view thereof; the right side elevational view being a mirror image;

FIG. 3 is a front elevational view thereof;

FIG. 4 is a top plan view thereof;

FIG. 5 is a rear elevational view thereof;

FIG. 6 is a bottom plan view thereof;

FIG. 7 is a top right front perspective view of the toy easel, shown with the environmental unclaimed features removed;

FIG. 8 is a front elevational view thereof, shown with the environmental unclaimed features removed;

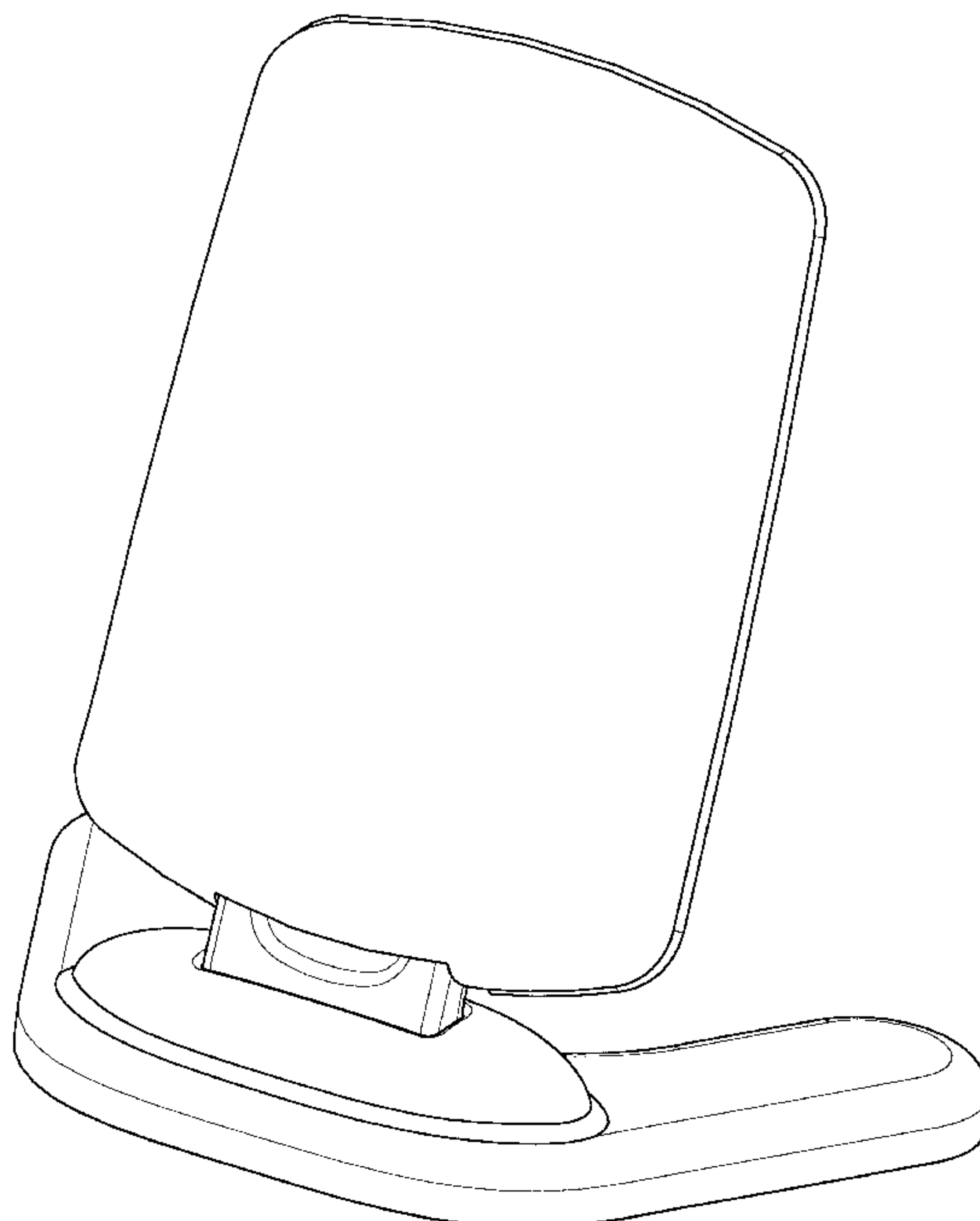
FIG. 9 is a top plan view thereof, shown with the environmental unclaimed features removed;

FIG. 10 is a rear elevational view thereof, shown with the environmental unclaimed features removed; and,

FIG. 11 is a bottom plan view thereof, shown with the environmental unclaimed features removed.

The broken line portions of FIGS. 1 through 6 are for illustrative purposes only and forms no part of the claimed design.

1 Claim, 11 Drawing Sheets



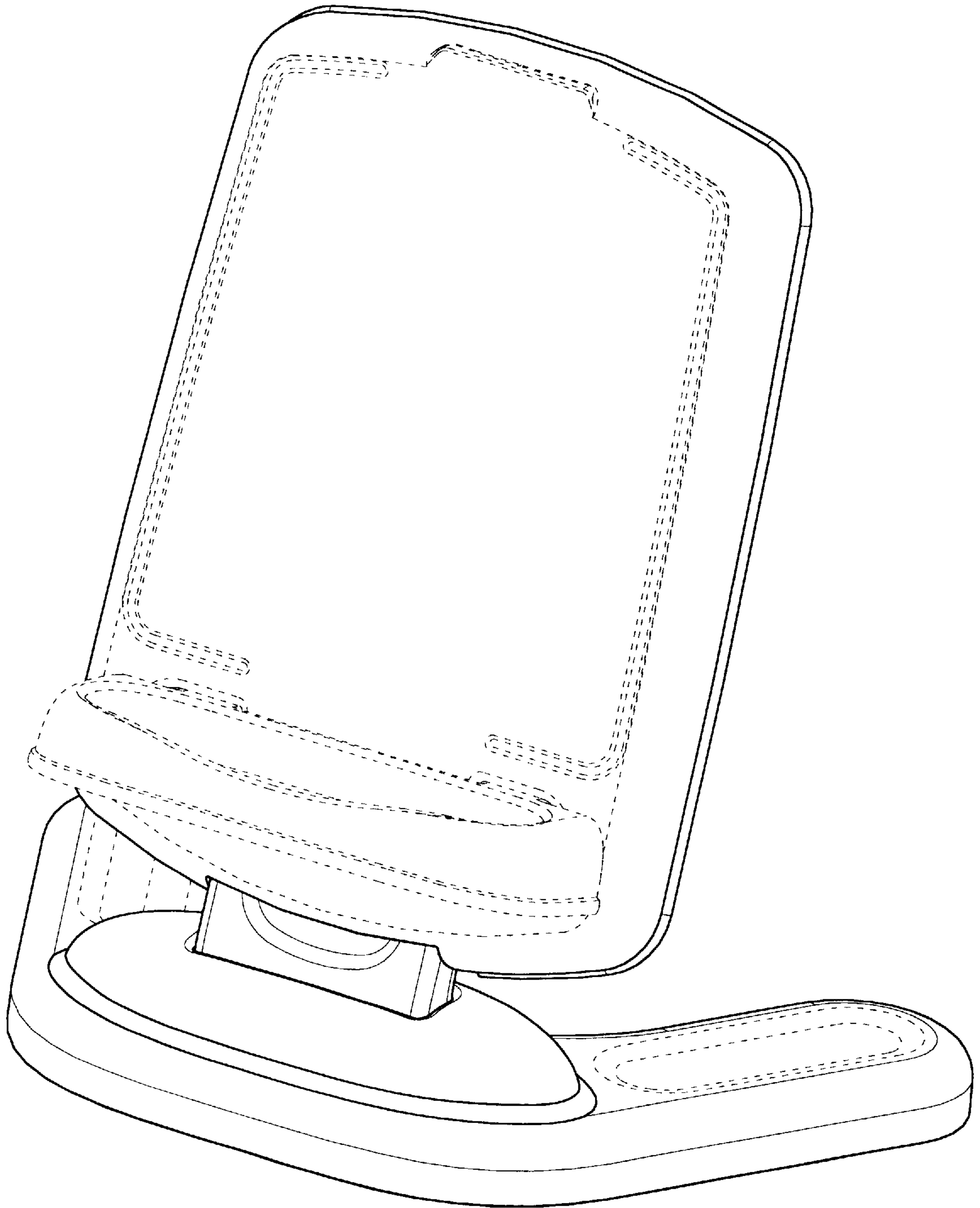


FIG. 1

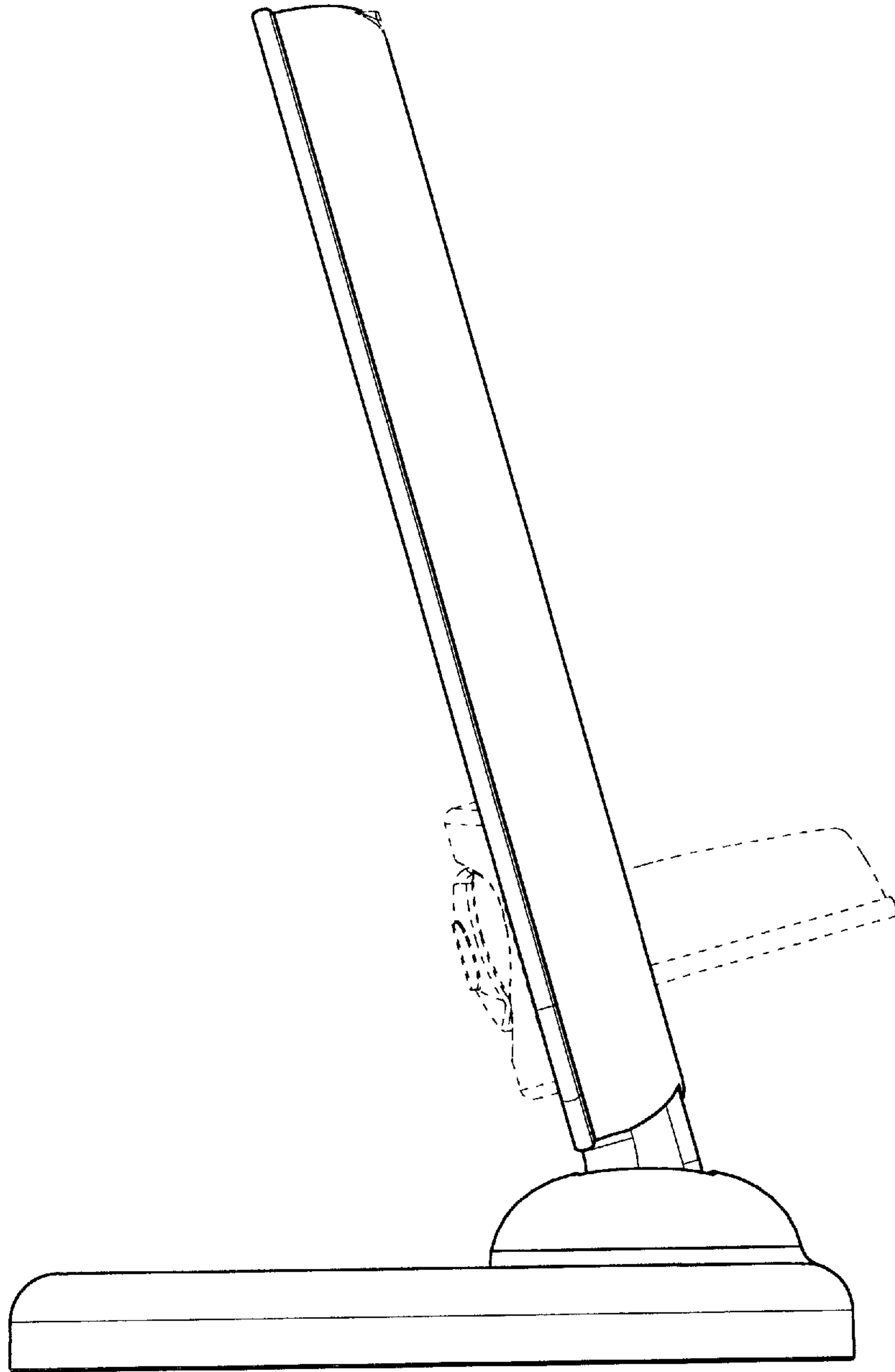


FIG. 2

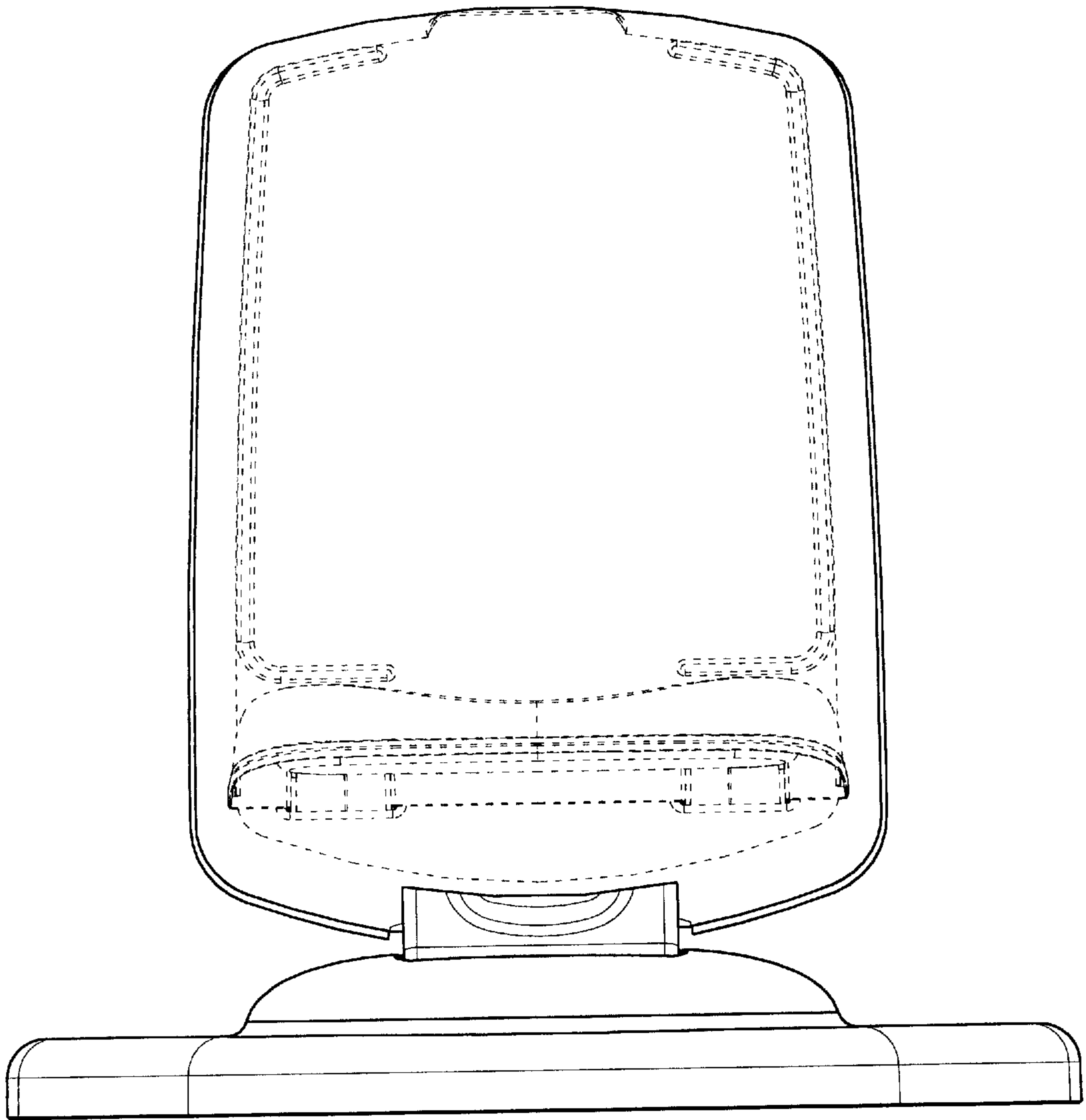


FIG. 3

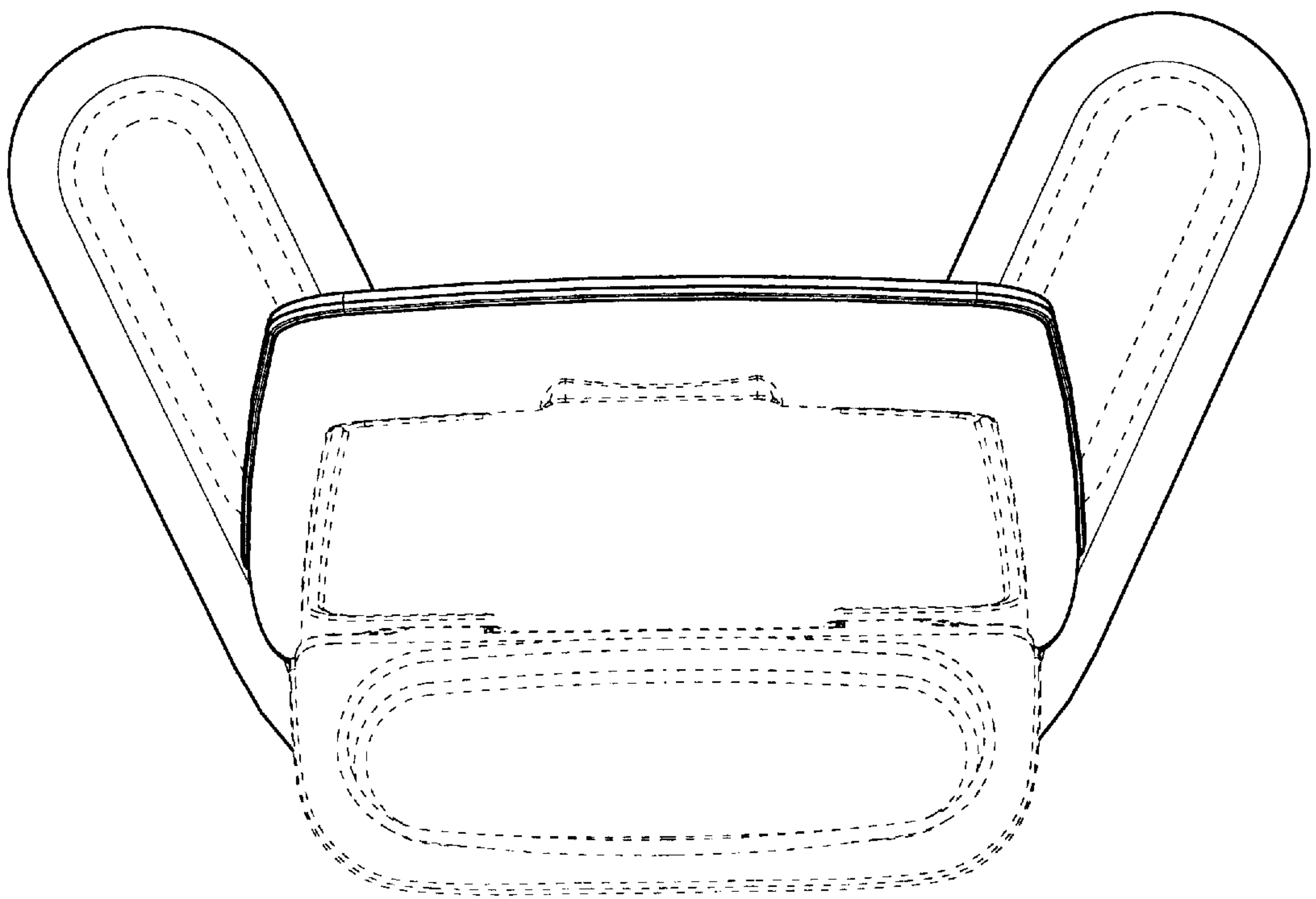


FIG. 4

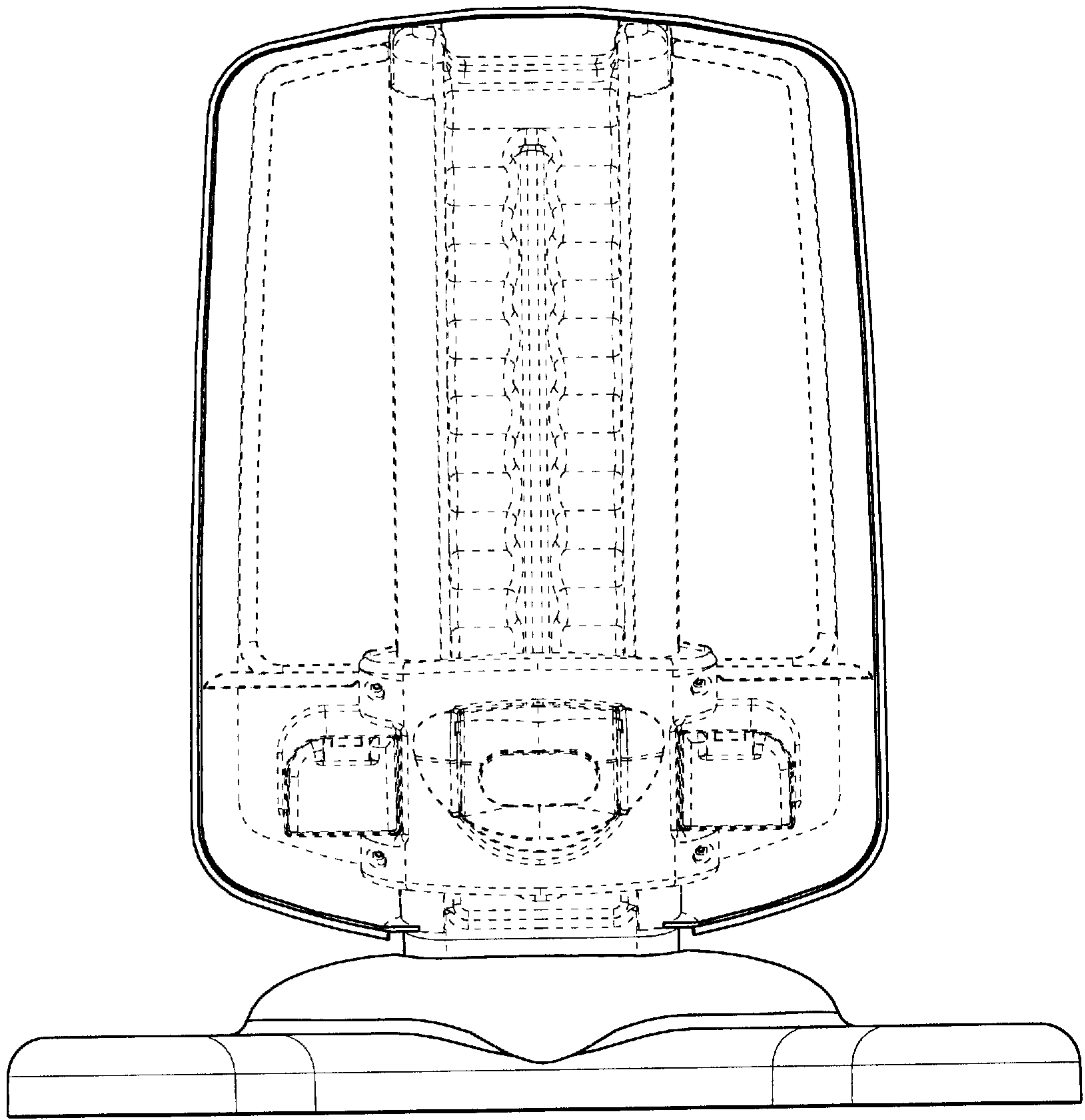


FIG. 5

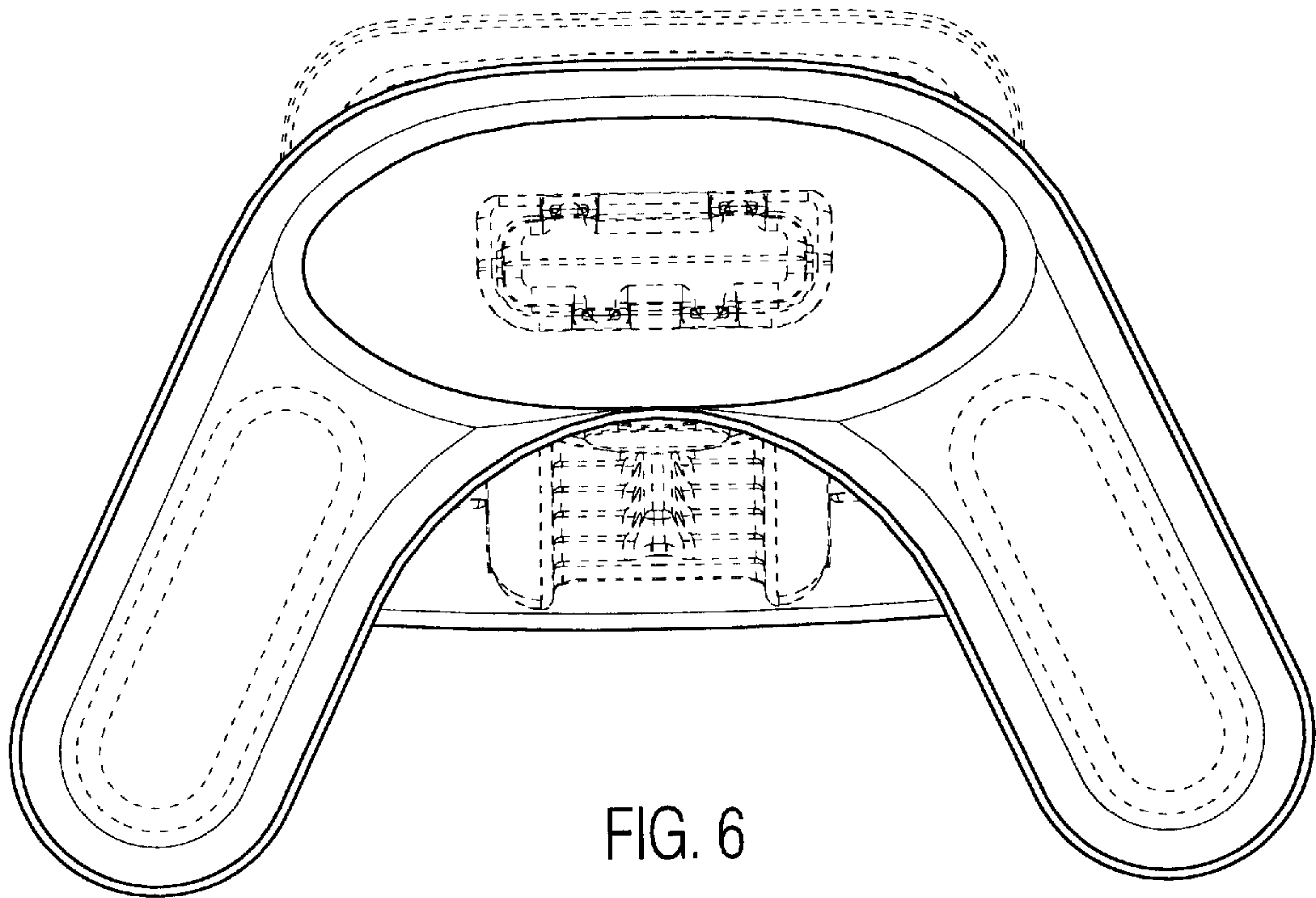


FIG. 6

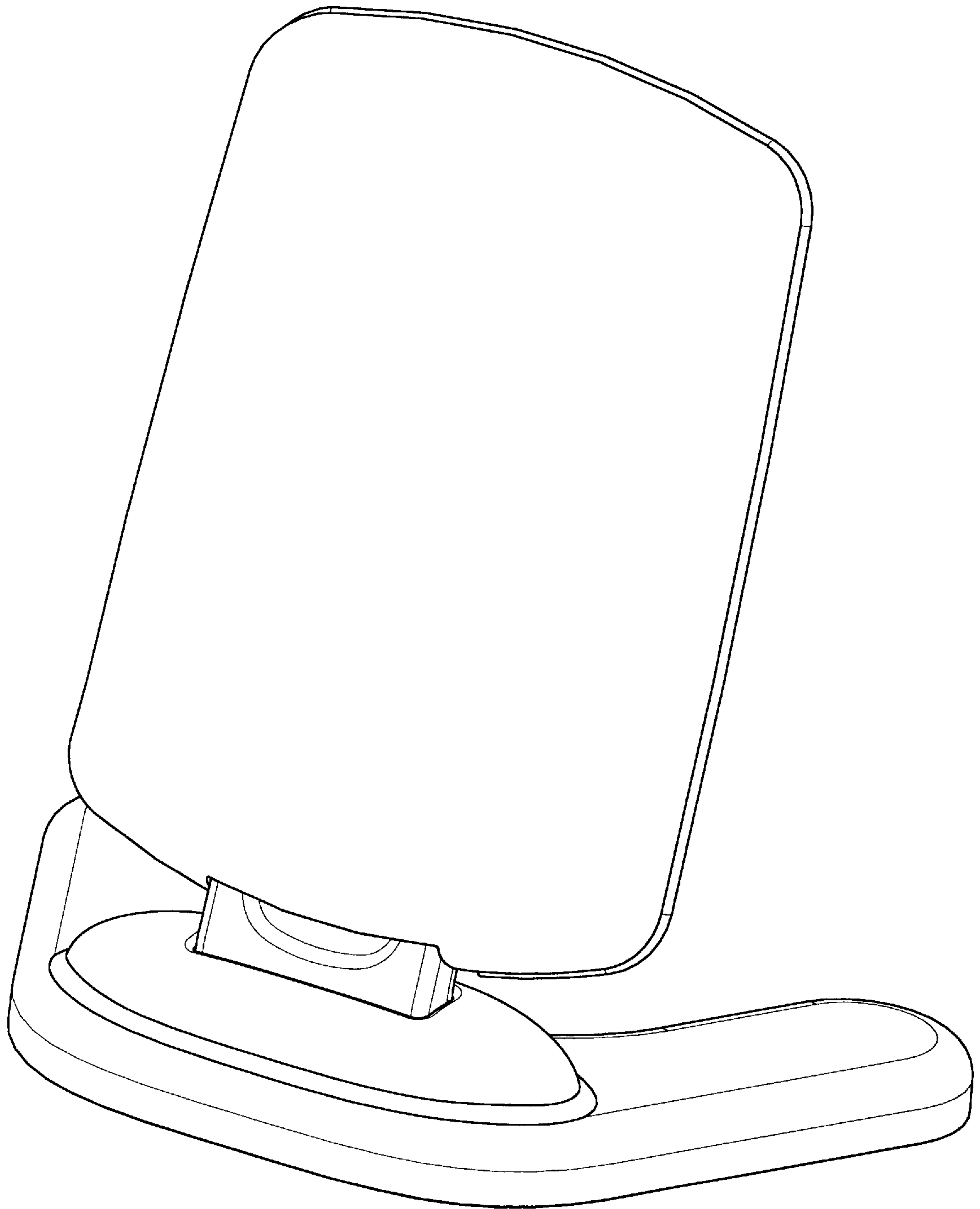


FIG. 7

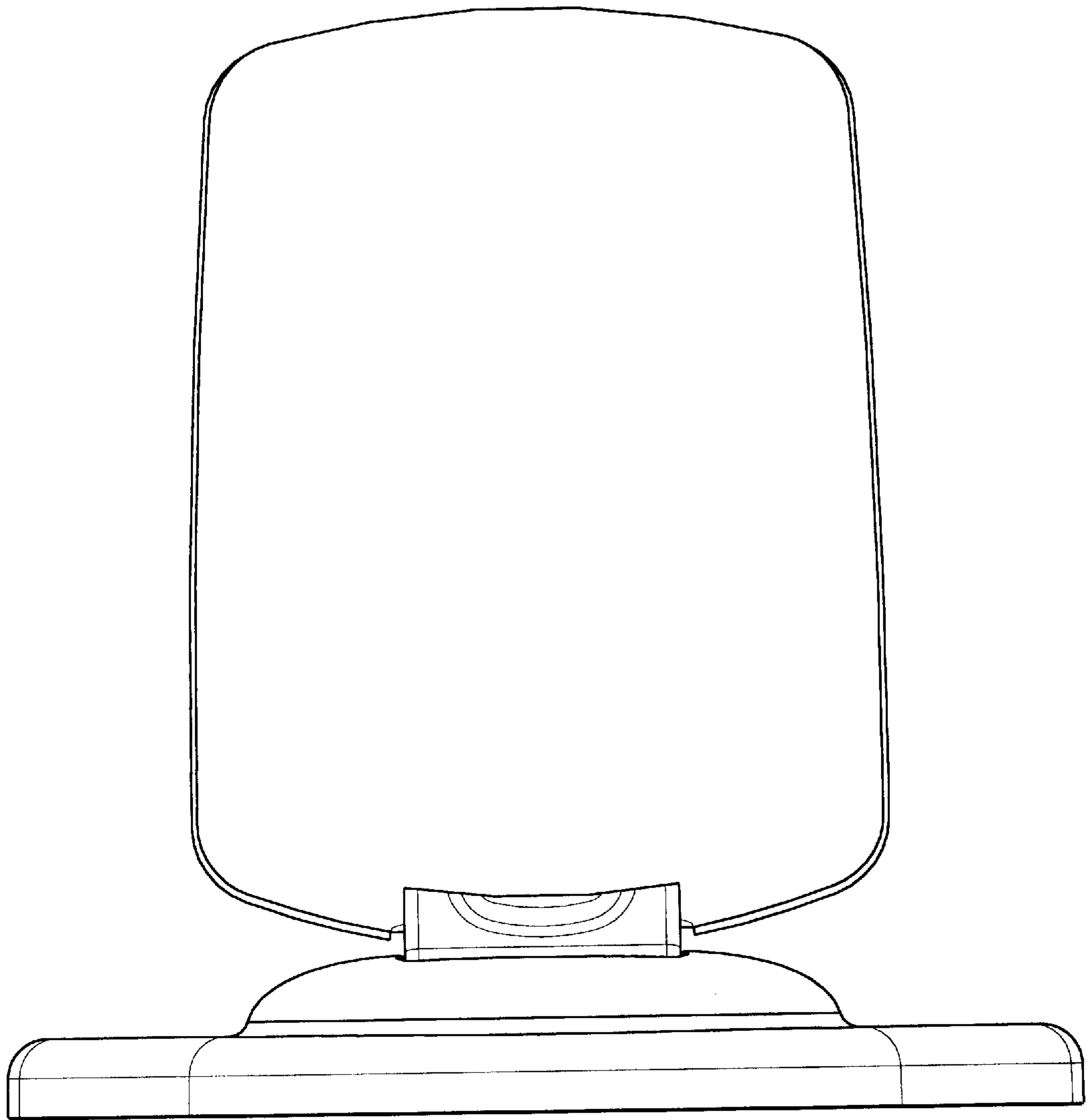


FIG. 8

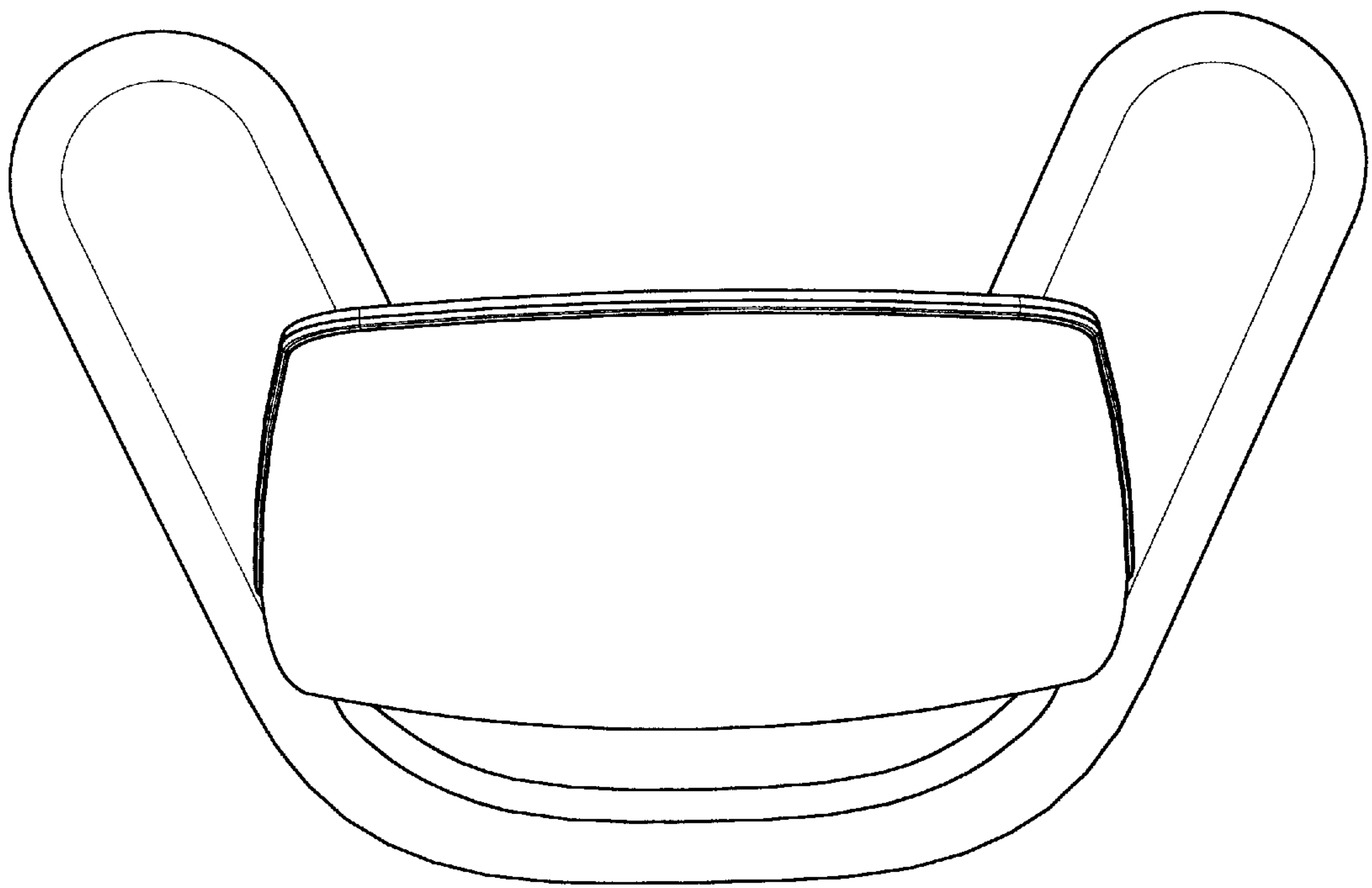


FIG. 9

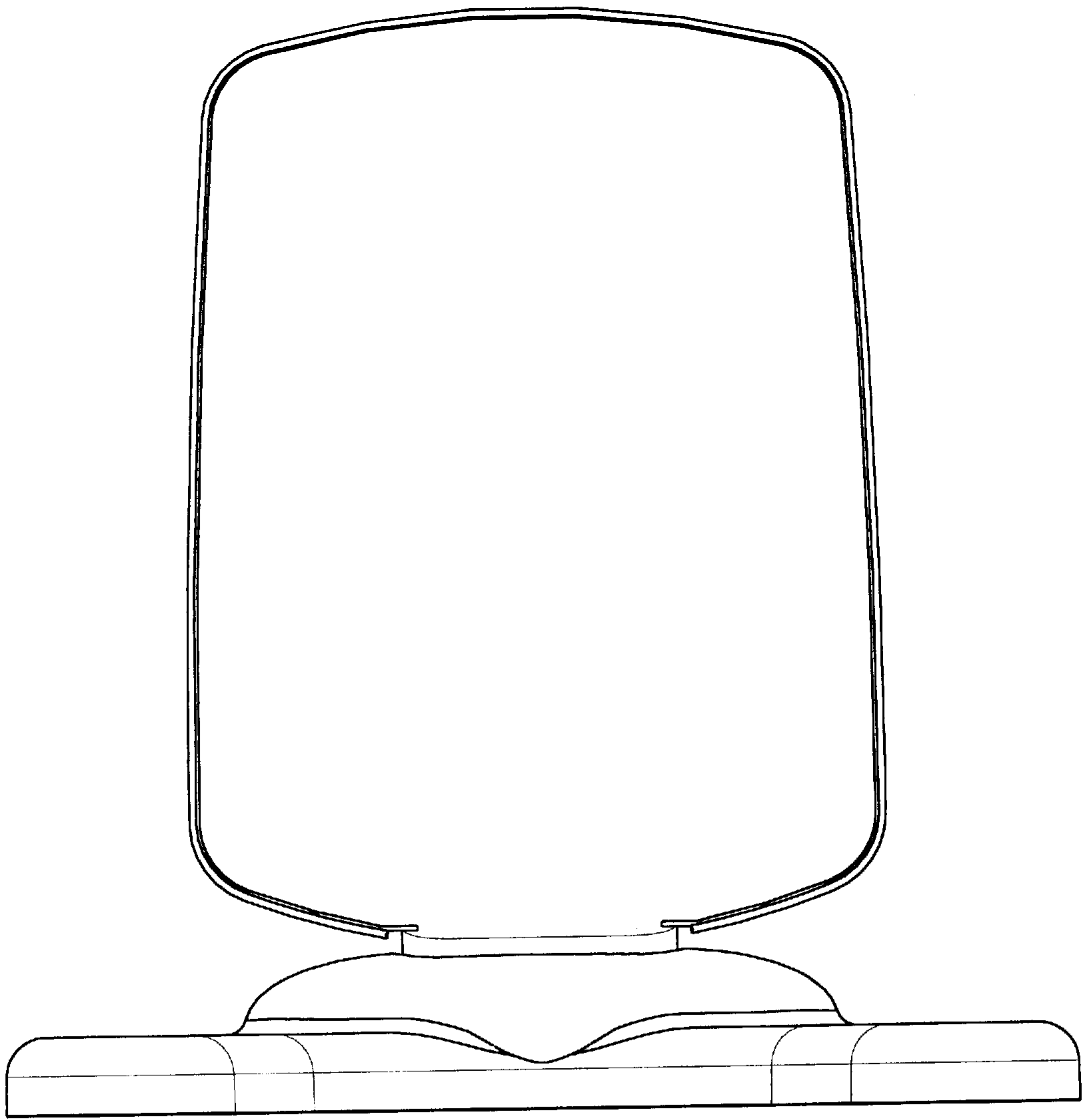


FIG. 10

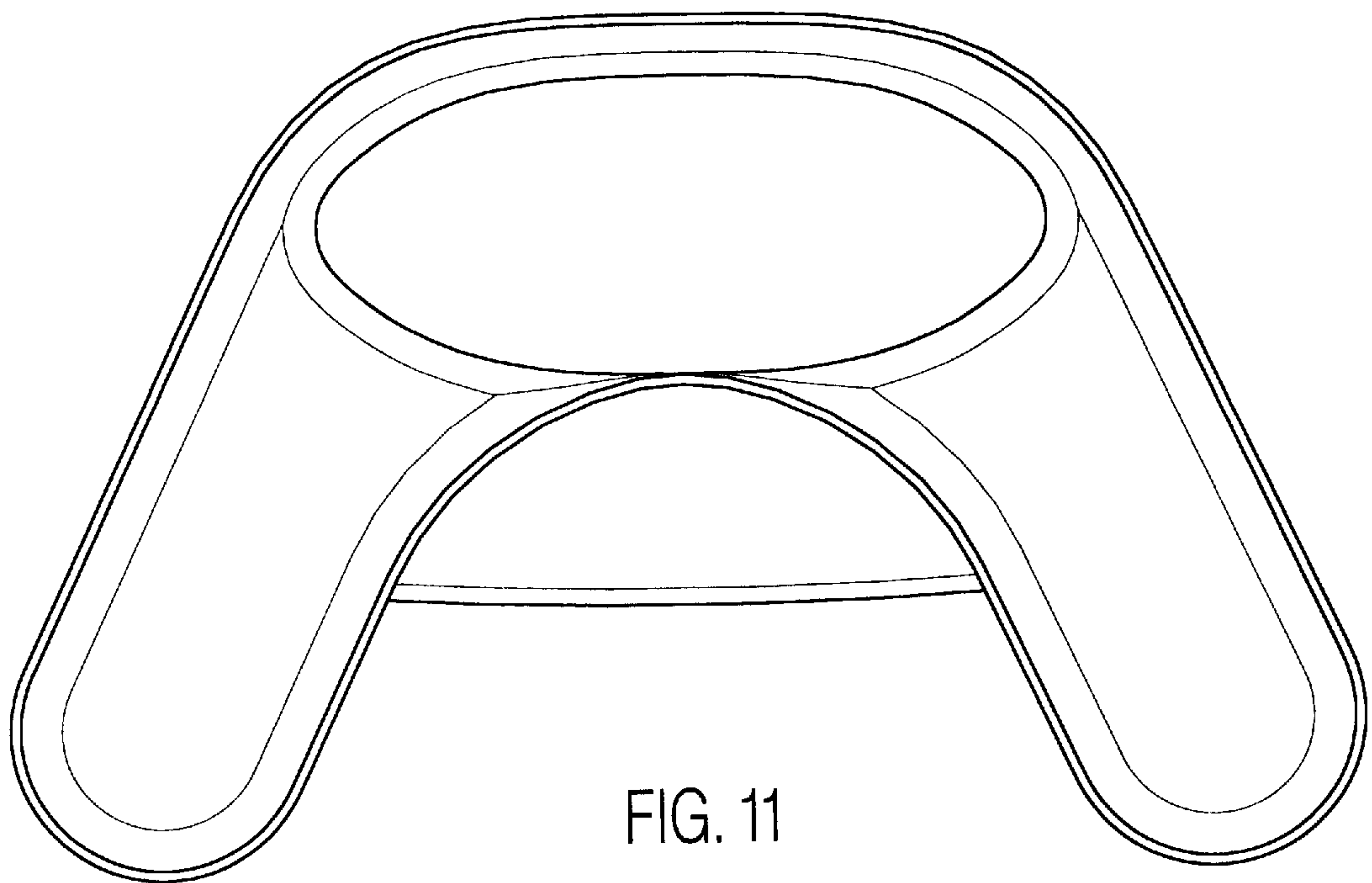


FIG. 11