



US00D404571S

# United States Patent [19] Evans

[11] **Patent Number: Des. 404,571**

[45] **Date of Patent: \*\*Jan. 26, 1999**

[54] **TOTE BOX**

5,046,636 9/1991 Coskery ..... 220/771 X

[76] Inventor: **Donald Evans**, 1405 Huntington Cir.,  
Reno, Nev. 89509

*Primary Examiner*—Ted Shooman  
*Assistant Examiner*—Richelle Shelton  
*Attorney, Agent, or Firm*—Ian F. Burns

[\*\*] Term: **14 Years**

[57] **CLAIM**

[21] Appl. No.: **71,113**

I claim the ornamental design for a tote box, as shown and described.

[22] Filed: **May 21, 1997**

**DESCRIPTION**

[51] **LOC (6) Cl.** ..... **03-01**

[52] **U.S. Cl.** ..... **D3/312**

[58] **Field of Search** ..... D3/304, 307-314;  
D9/425; D32/37; D34/1; 220/769, 771,  
DIG. 12, DIG. 14; 206/515

FIG. 1 is a right side perspective view of the tote box of the present invention;

FIG. 2 is a top plan view of the tote box of the present invention;

FIG. 3 is a right side elevational view of the tote box of the present invention, the left side elevational view is identical;

FIG. 4 is a front elevational view of the tote box of the present invention, the rear elevational view is identical; and,

FIG. 5 is a bottom plan view of the tote box of the present invention.

[56] **References Cited**

**U.S. PATENT DOCUMENTS**

D. 339,436	9/1993	Craft et al. ....	D34/1 X
D. 360,898	8/1995	Huerto et al. ....	D3/304
2,634,020	4/1953	Bartholomew .....	220/771 X
3,583,623	6/1971	Golner .....	D9/425 X

**1 Claim, 2 Drawing Sheets**

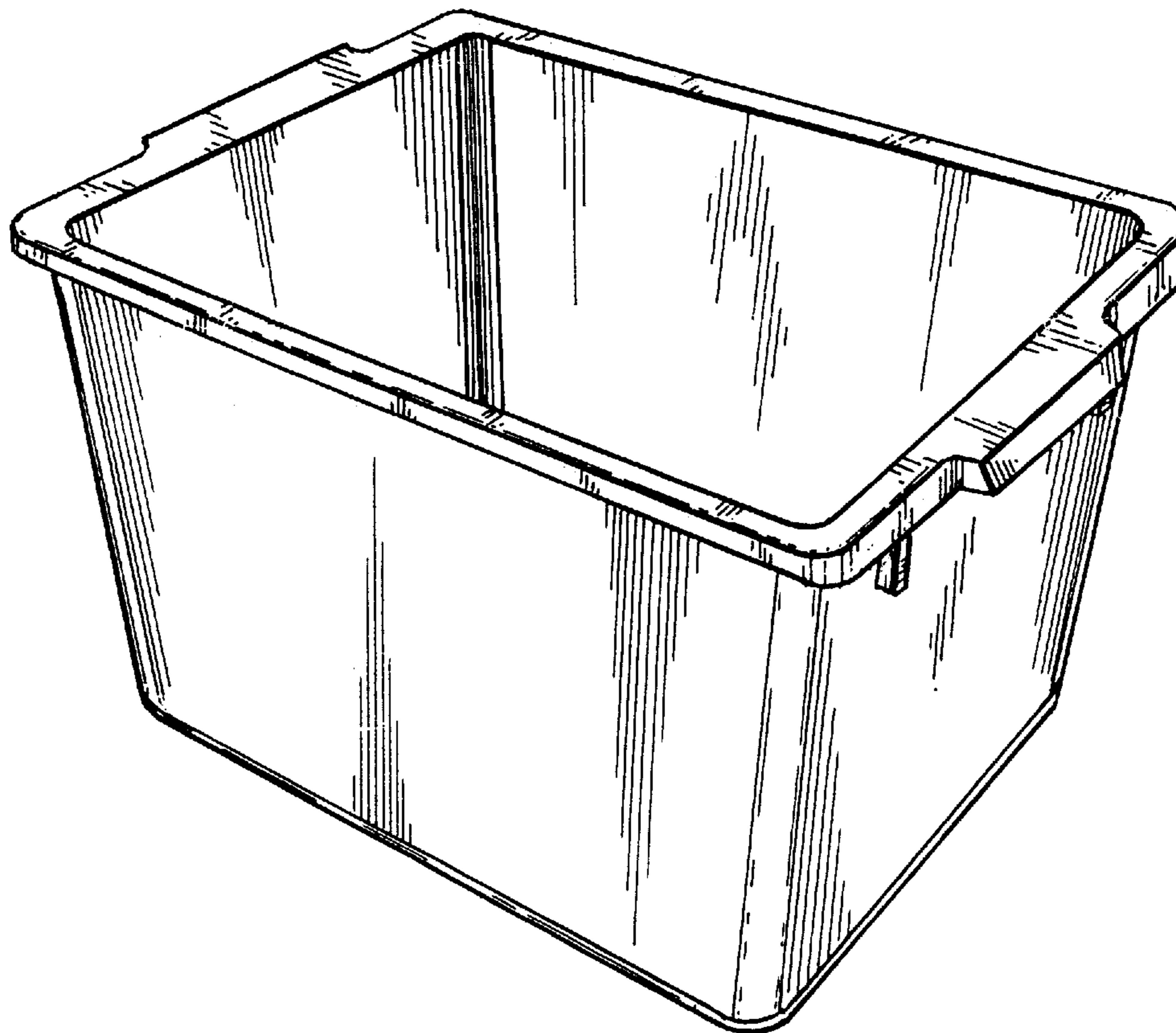


FIG. 1

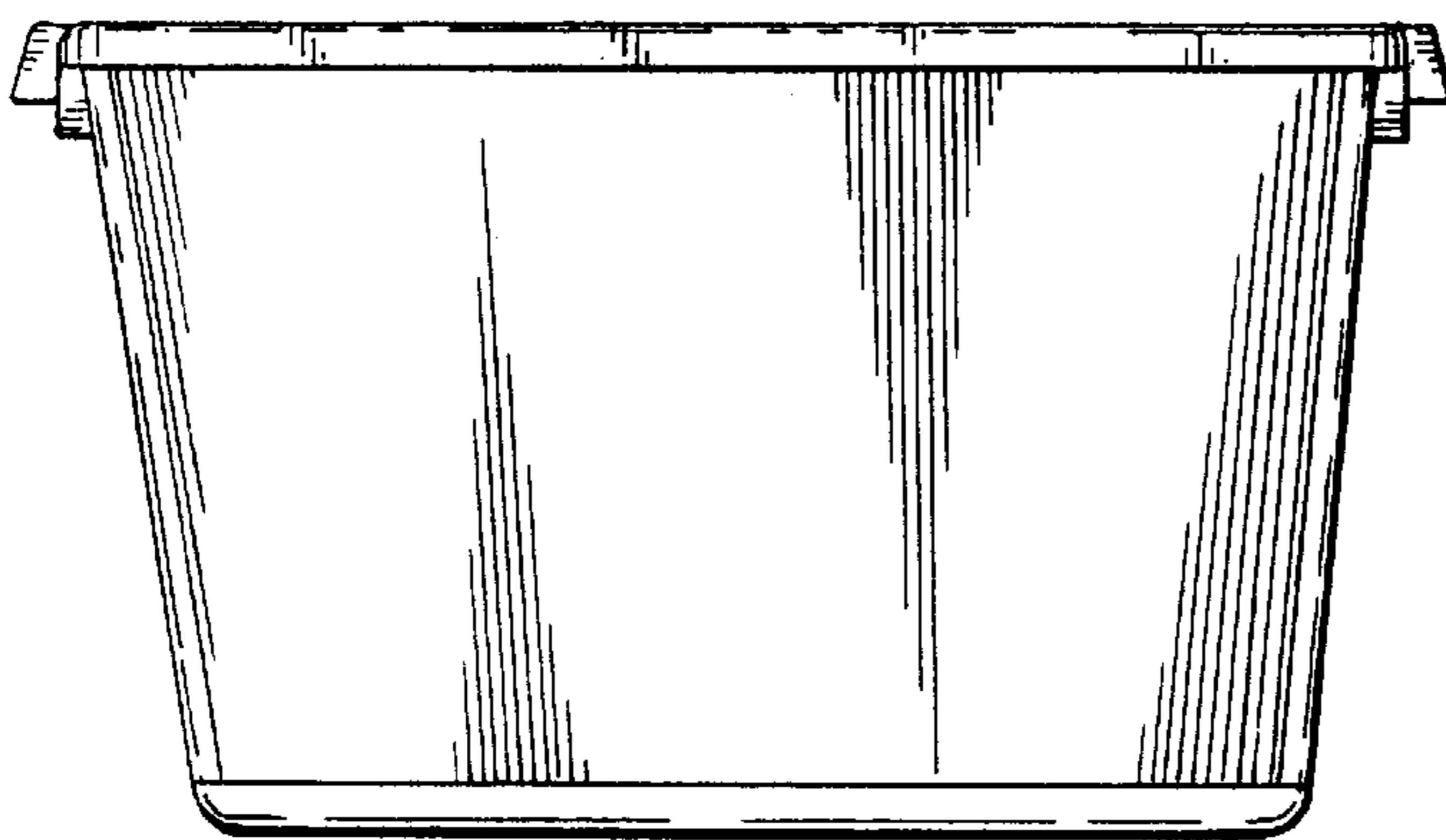
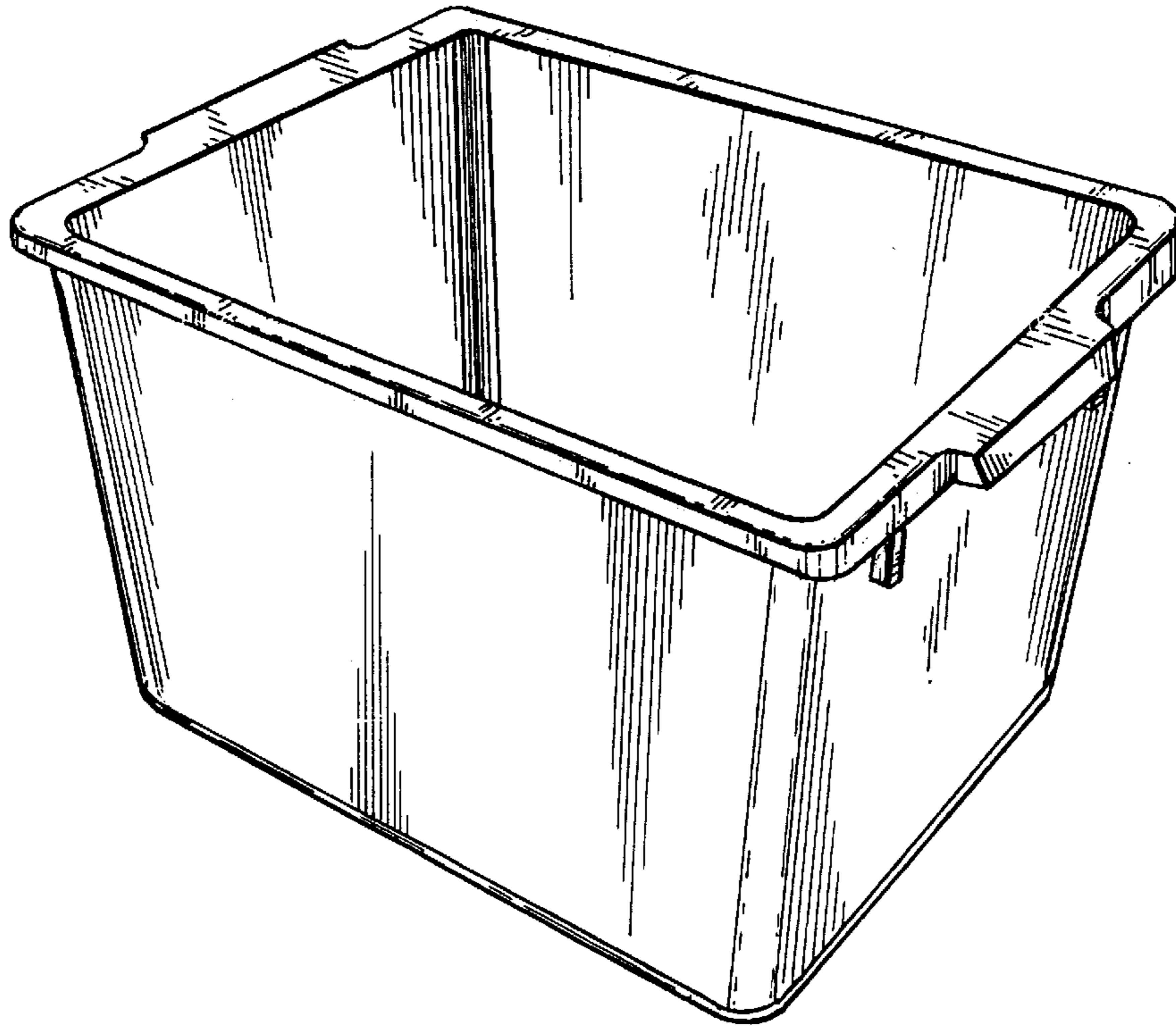


FIG. 3

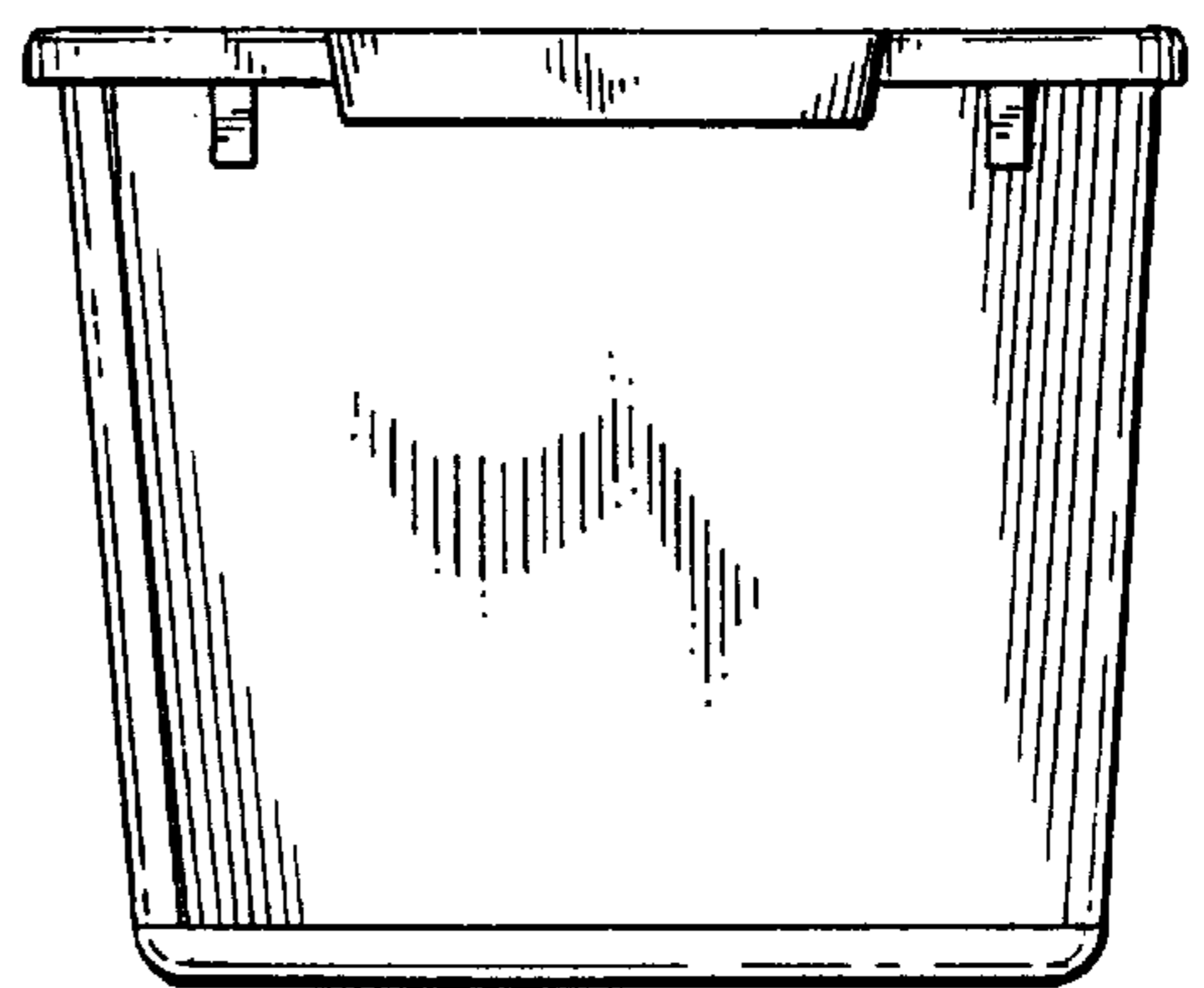


FIG. 4

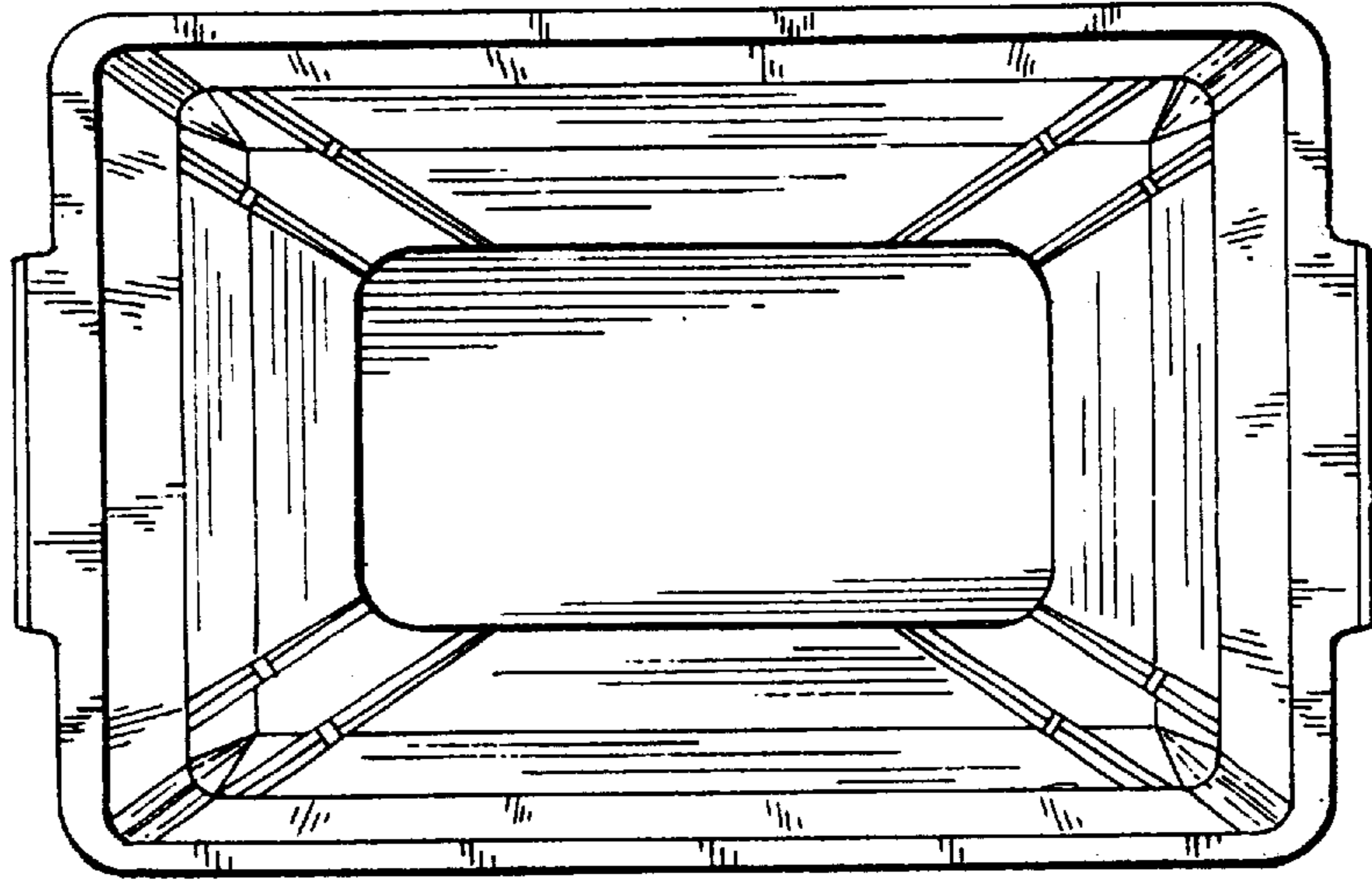


FIG. 2

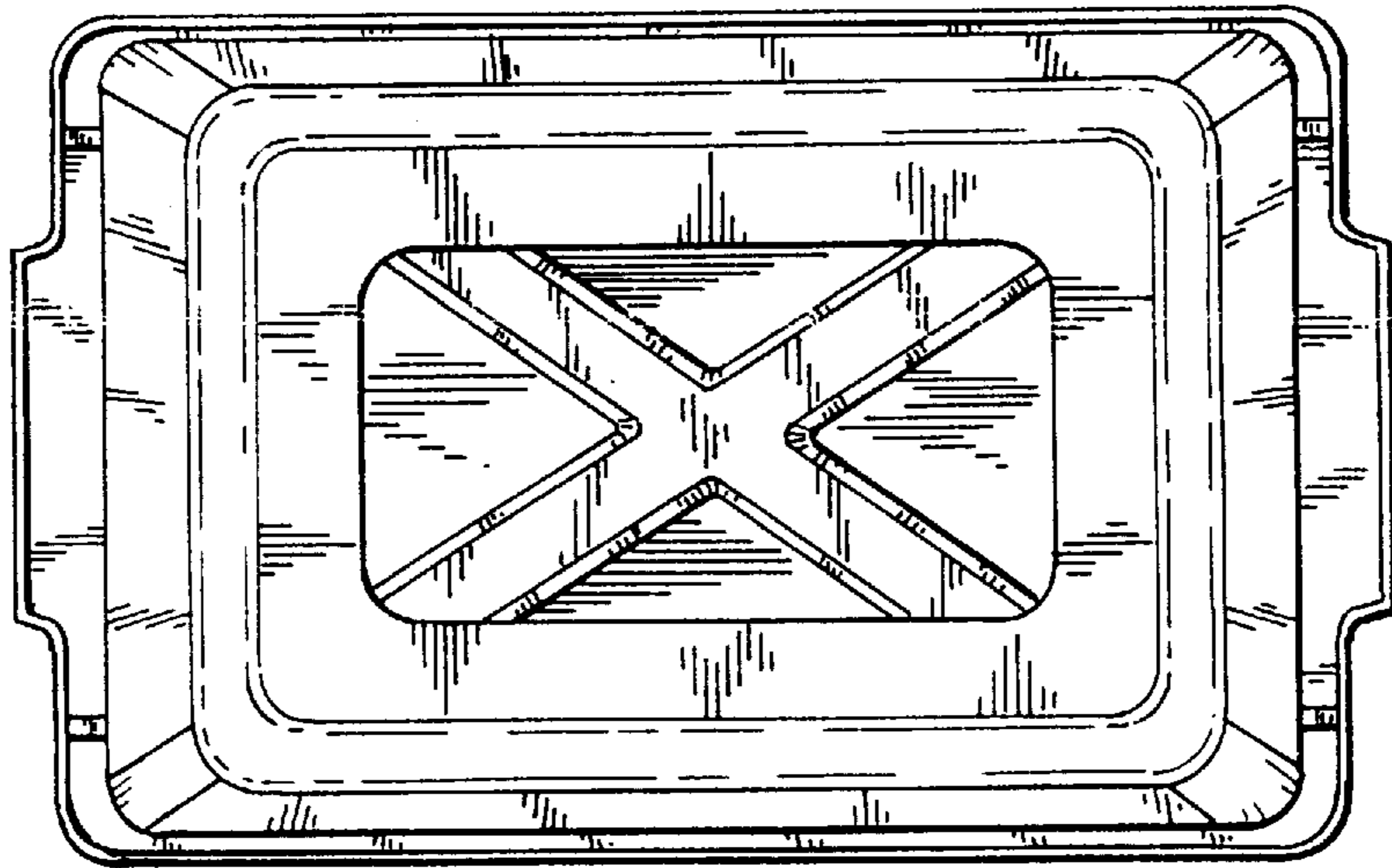


FIG. 5