



US00D404569S

United States Patent [19]
Chen

[11] **Patent Number: Des. 404,569**

[45] **Date of Patent: **Jan. 26, 1999**

[54] **TOOLBOX**

[76] Inventor: **Guo Shu Chen**, 11F-2 No. 43, Chi-I Street, Taichung, Taiwan

[**] Term: **14 Years**

[21] Appl. No.: **83,402**

[22] Filed: **Jan. 30, 1998**

[51] **LOC (6) Cl. 03-01**

[52] **U.S. Cl. D3/905; D3/282**

[58] **Field of Search D3/273, 276, 281, D3/282, 294, 905; 206/349, 372, 373, 376; 190/110, 111, 112**

[56] **References Cited**

U.S. PATENT DOCUMENTS

D. 227,613	7/1973	Montanari	D3/282
D. 300,036	2/1989	Mariol	D3/282
D. 324,948	3/1992	Powers et al.	D3/282
D. 328,189	7/1992	Hillinger	D3/282

D. 347,731	6/1994	Hayakawa et al.	D3/282
D. 352,169	11/1994	Chang	D3/276
D. 358,709	5/1995	Chang	D3/282
D. 364,958	12/1995	Chang	D3/276

Primary Examiner—Philip S. Hyder
Attorney, Agent, or Firm—Charles E. Baxley

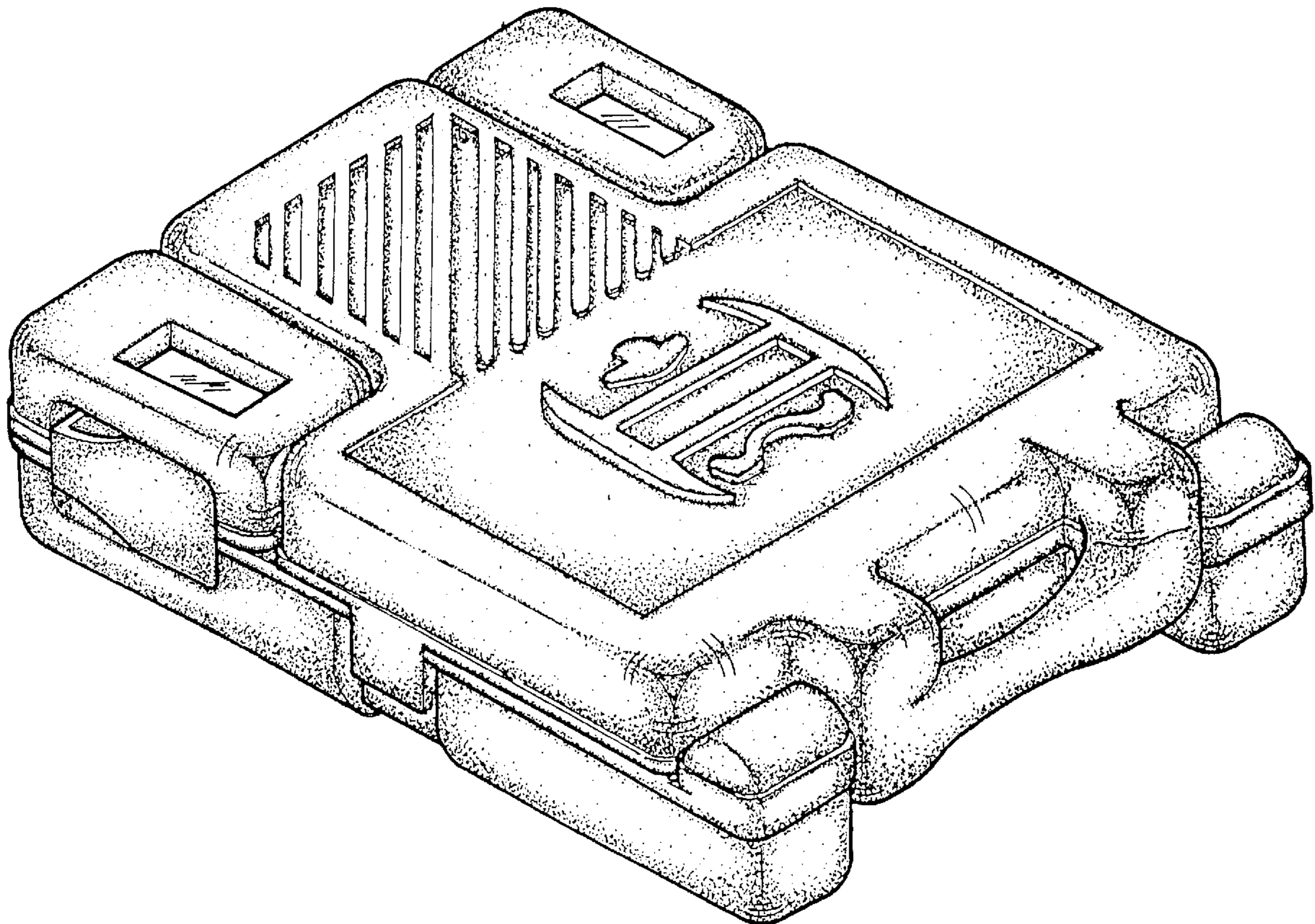
[57] **CLAIM**

The ornamental design for a toolbox, as shown and described.

DESCRIPTION

FIG. 1 is a front right-top perspective view of a toolbox, showing my new design;
FIG. 2 is a front elevational view thereof;
FIG. 3 is a rear elevational view thereof;
FIG. 4 is a right elevational view thereof, the left side being a mirror image thereof;
FIG. 5 is a top plan view thereof; and,
FIG. 6 is a bottom plan view thereof.

1 Claim, 3 Drawing Sheets



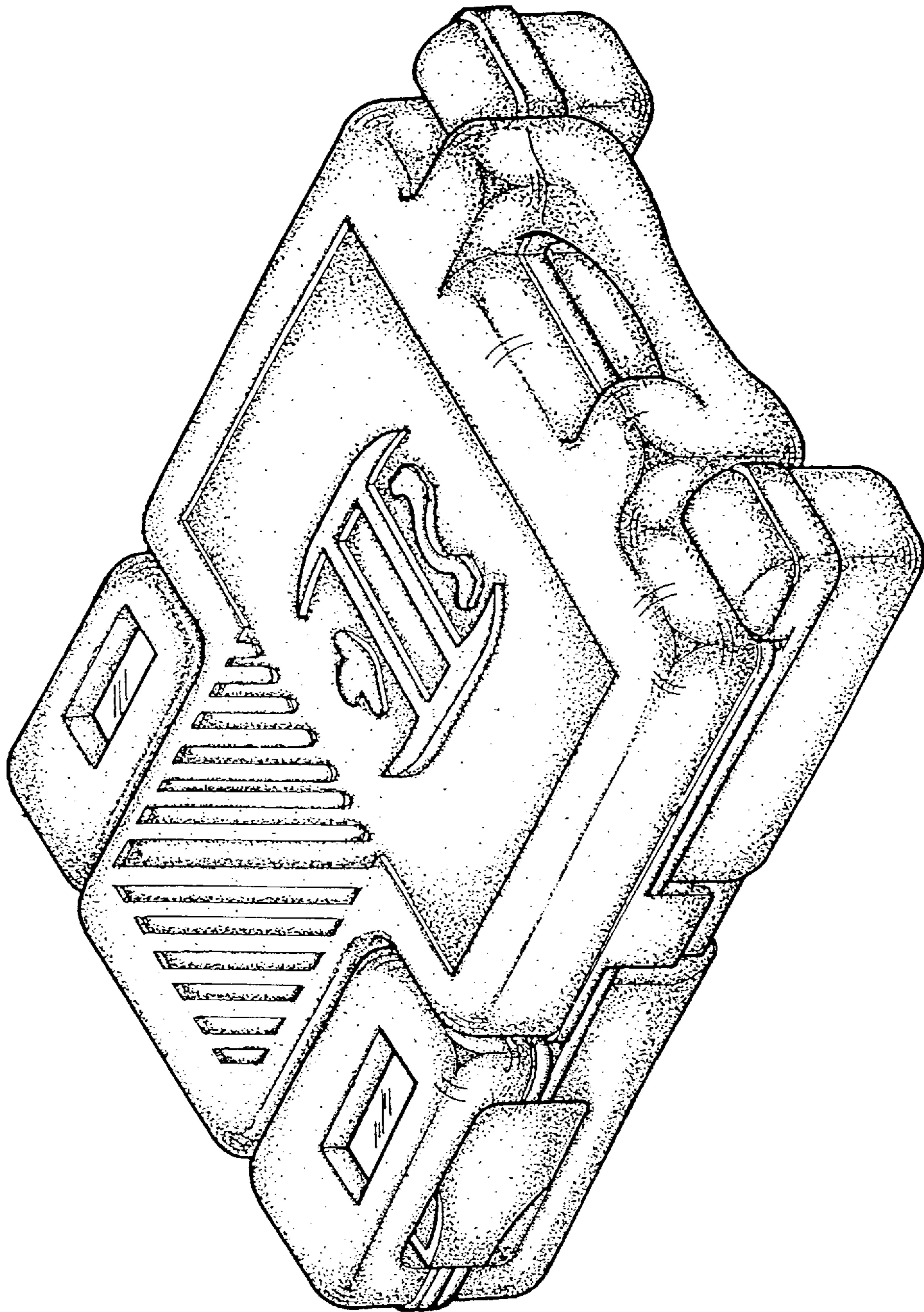


FIG. 1

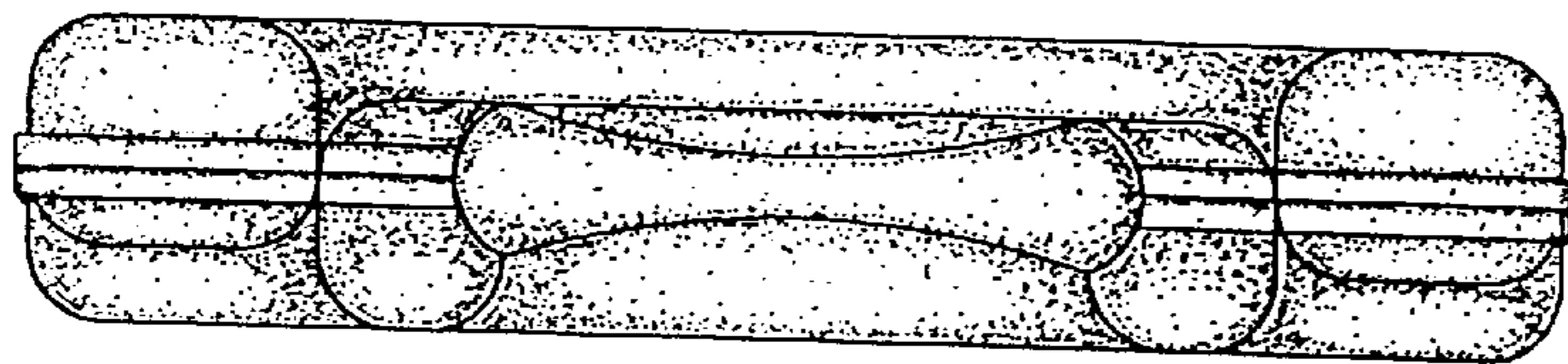


FIG. 2

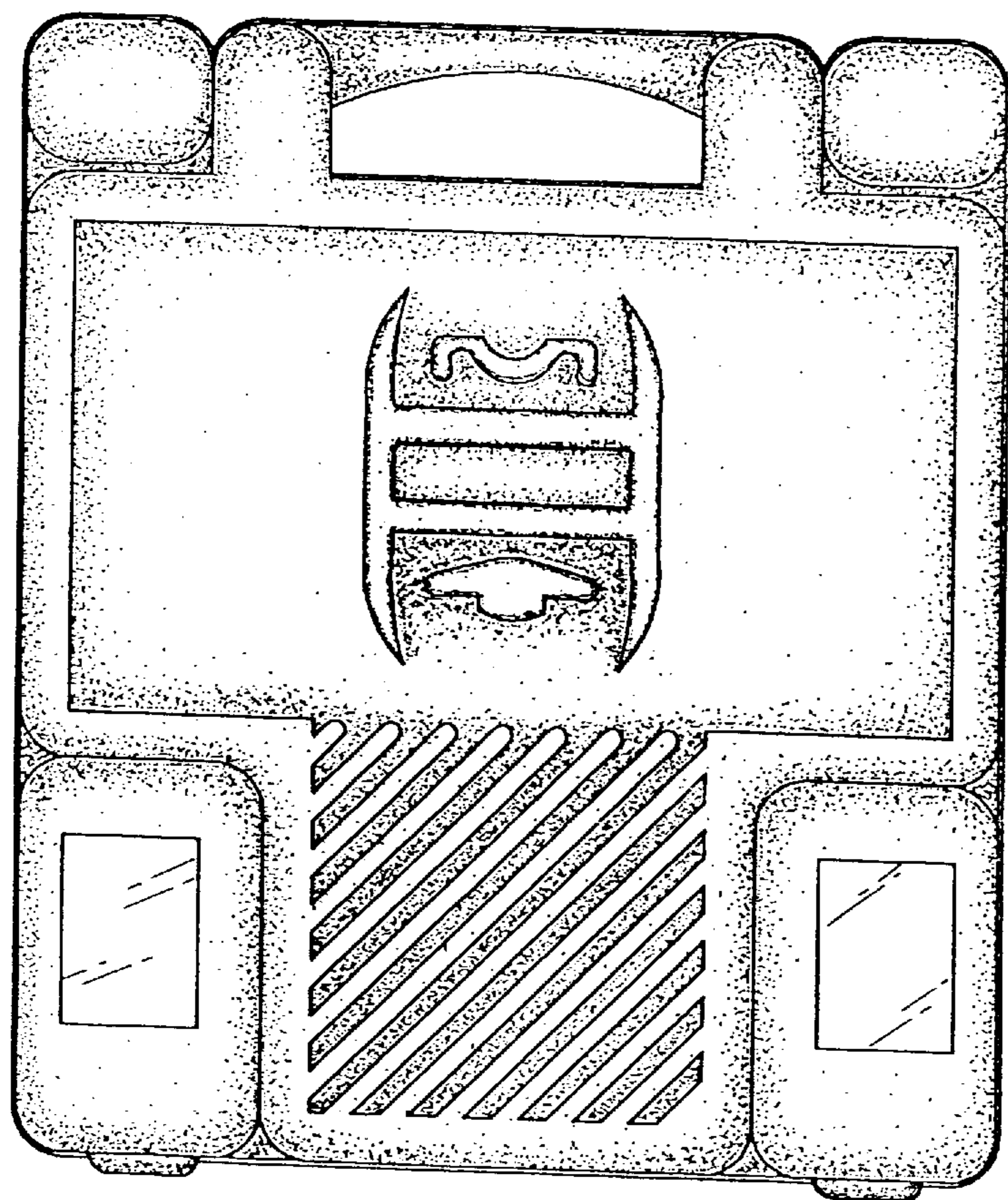


FIG. 5

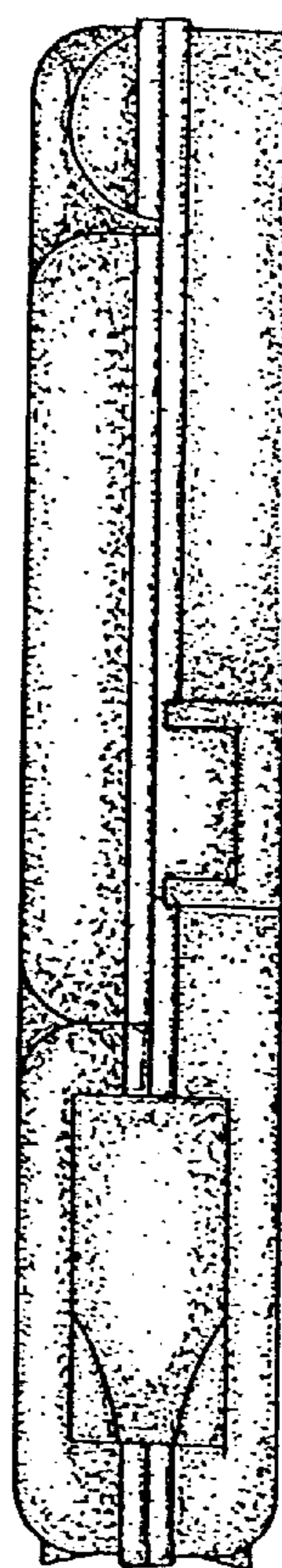


FIG. 4

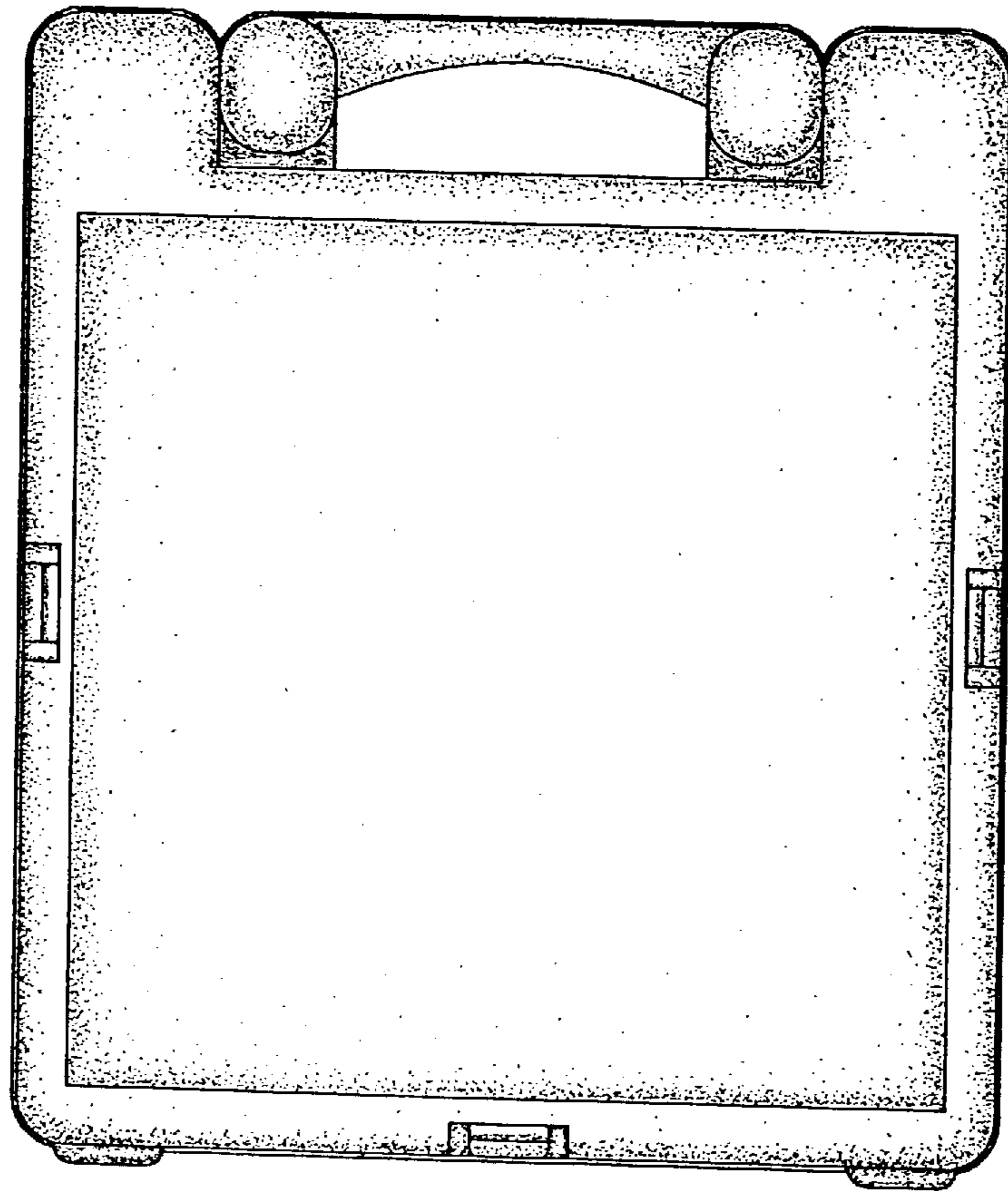


FIG · 6

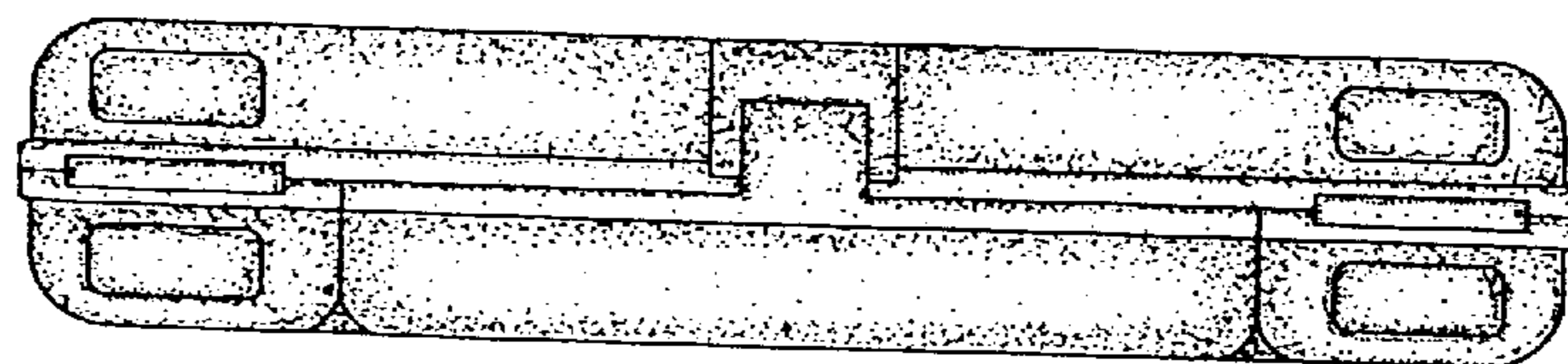


FIG · 3