



US00D404567S

United States Patent [19]

Akutsu

[11] Patent Number: Des. 404,567

[45] Date of Patent: **Jan. 26, 1999

[54] WALLET

5,445,199 8/1995 Jia 150/143

[76] Inventor: Akira Akutsu, Itabashi 1-36-4,
Itabashi-ku, Tokyo 173, Japan

Primary Examiner—Louis S. Zarfes
Assistant Examiner—Monica A. Weingart
Attorney, Agent, or Firm—Howson & Howson

[**] Term: 14 Years

[57] CLAIM

[21] Appl. No.: 77,507

The ornamental design for a wallet, as shown and described.

[22] Filed: Oct. 3, 1997

DESCRIPTION

[30] Foreign Application Priority Data

Aug. 21, 1997 [JP] Japan 9-65047

[51] LOC (6) Cl. 03-01

[52] U.S. Cl. D3/250; D3/247

[58] Field of Search D3/247, 249, 250;
150/112, 115, 117, 118, 119, 120, 127,
131, 132, 133, 137, 143, 147, 149

FIG. 1 is a front elevational view of a wallet, showing my new design;
FIG. 2 is a top plan view thereof;
FIG. 3 is a right side elevational view thereof;
FIG. 4 is a rear elevational view thereof;
FIG. 5 is a bottom plan view thereof;
FIG. 6 is a left elevational view thereof;
FIG. 7 is a front elevational view thereof, showing the wallet in an opened condition;
FIG. 8 is a rear elevational view thereof, showing the wallet in an opened condition;
FIG. 9 is a perspective view thereof, showing the wallet in an opened condition; and,
FIG. 10 is an exploded perspective view thereof.
The broken lines in FIGS. 1, 2, 4, 5, 7, 8, 9 and 10 represent stitching for holding the parts of the case together.

[56] References Cited

U.S. PATENT DOCUMENTS

D. 118,491	1/1940	Bach	D3/249
D. 269,626	7/1983	Draddy	D3/247
1,994,746	3/1935	Banner	150/127
2,683,478	7/1954	Seelig	150/117
3,548,907	12/1970	Boldt	150/149
4,247,350	1/1981	McIntyre et al.	150/132

1 Claim, 6 Drawing Sheets

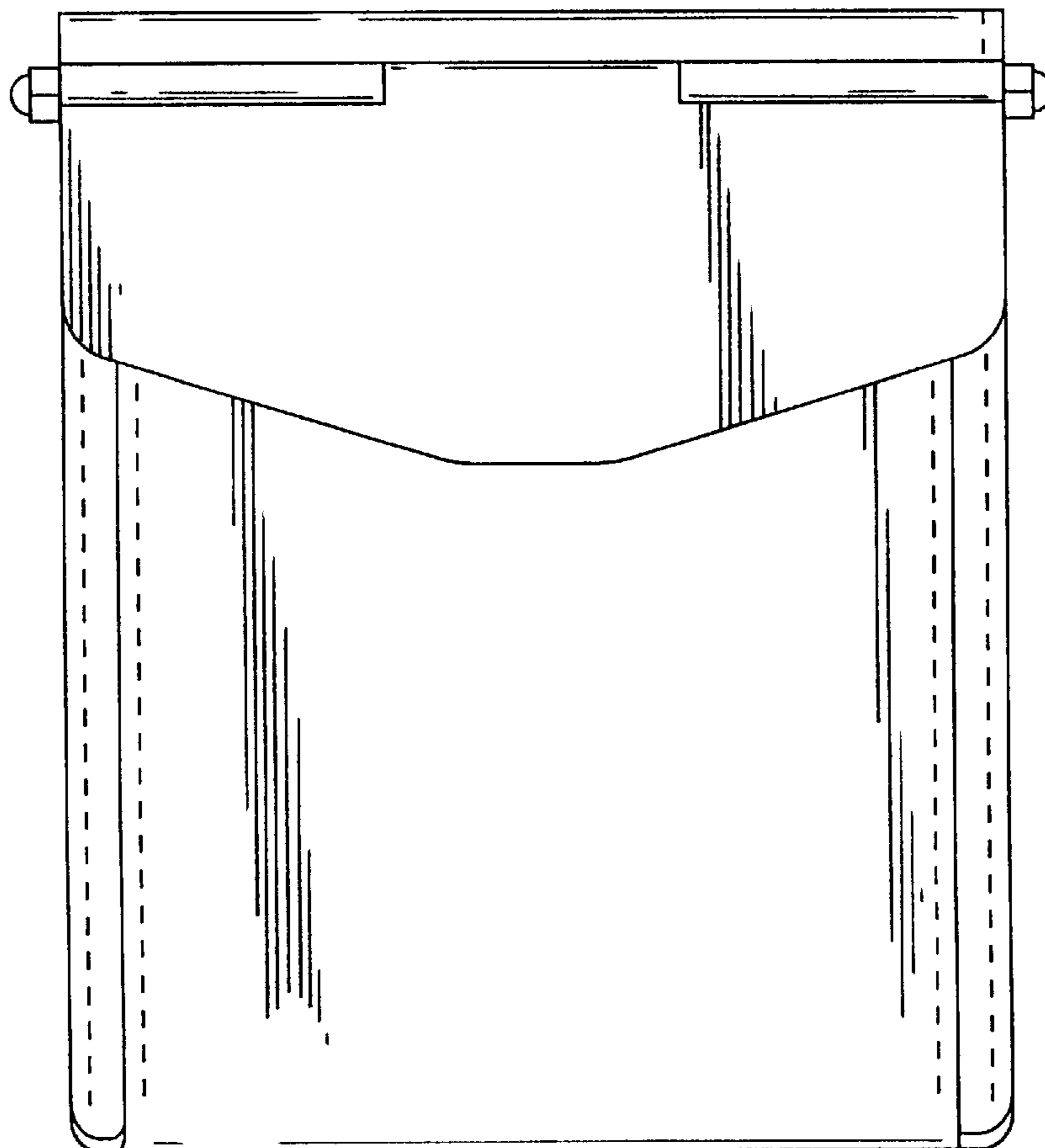


FIG. 2

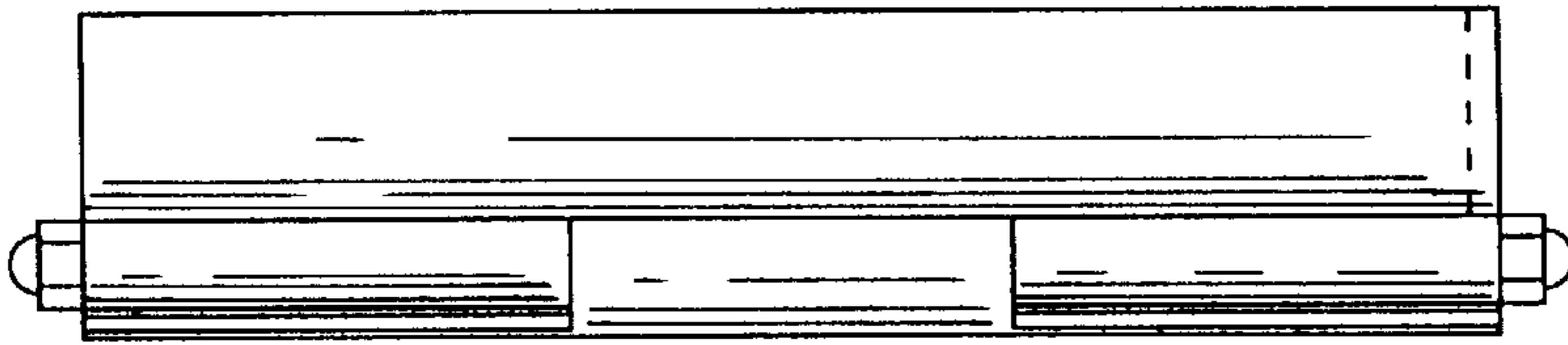


FIG. 1

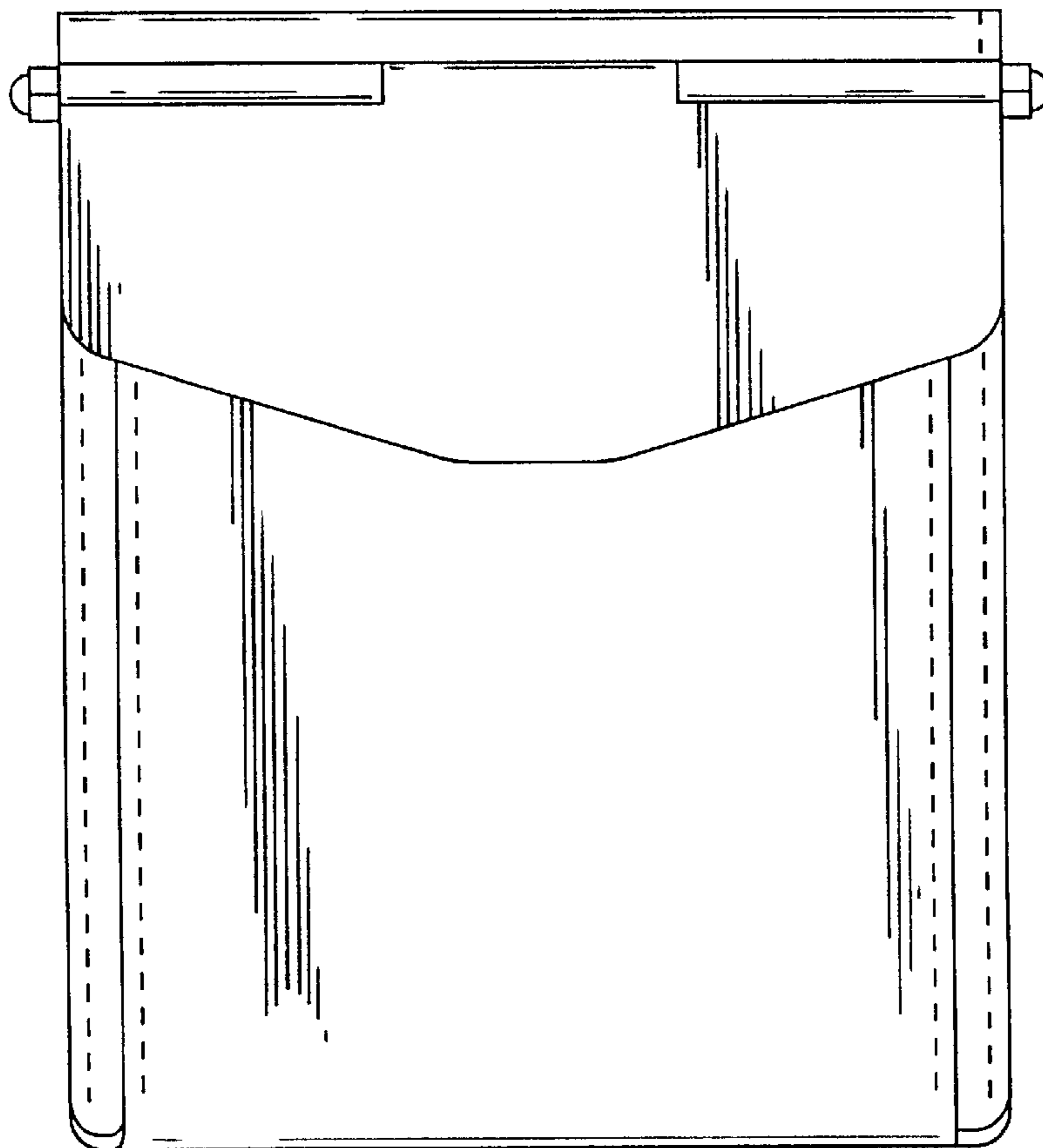


FIG. 3

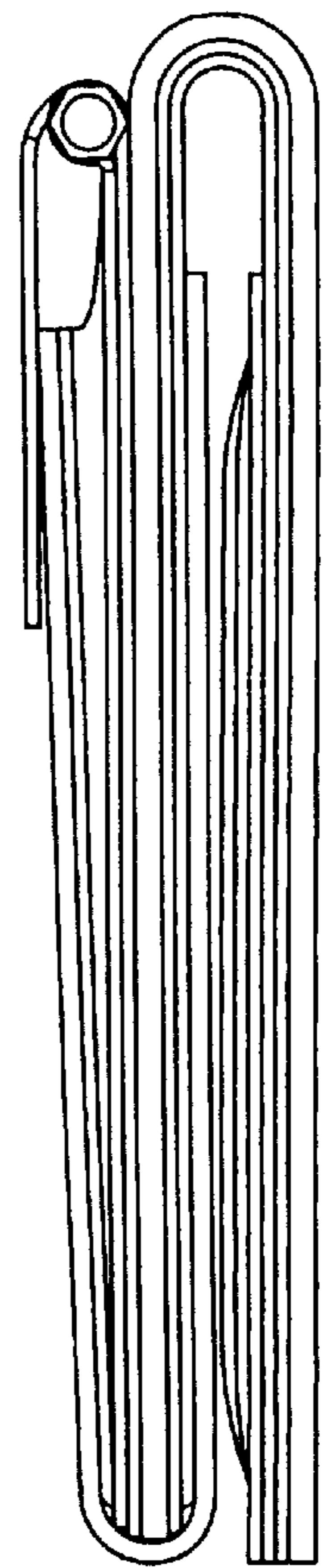


FIG. 4

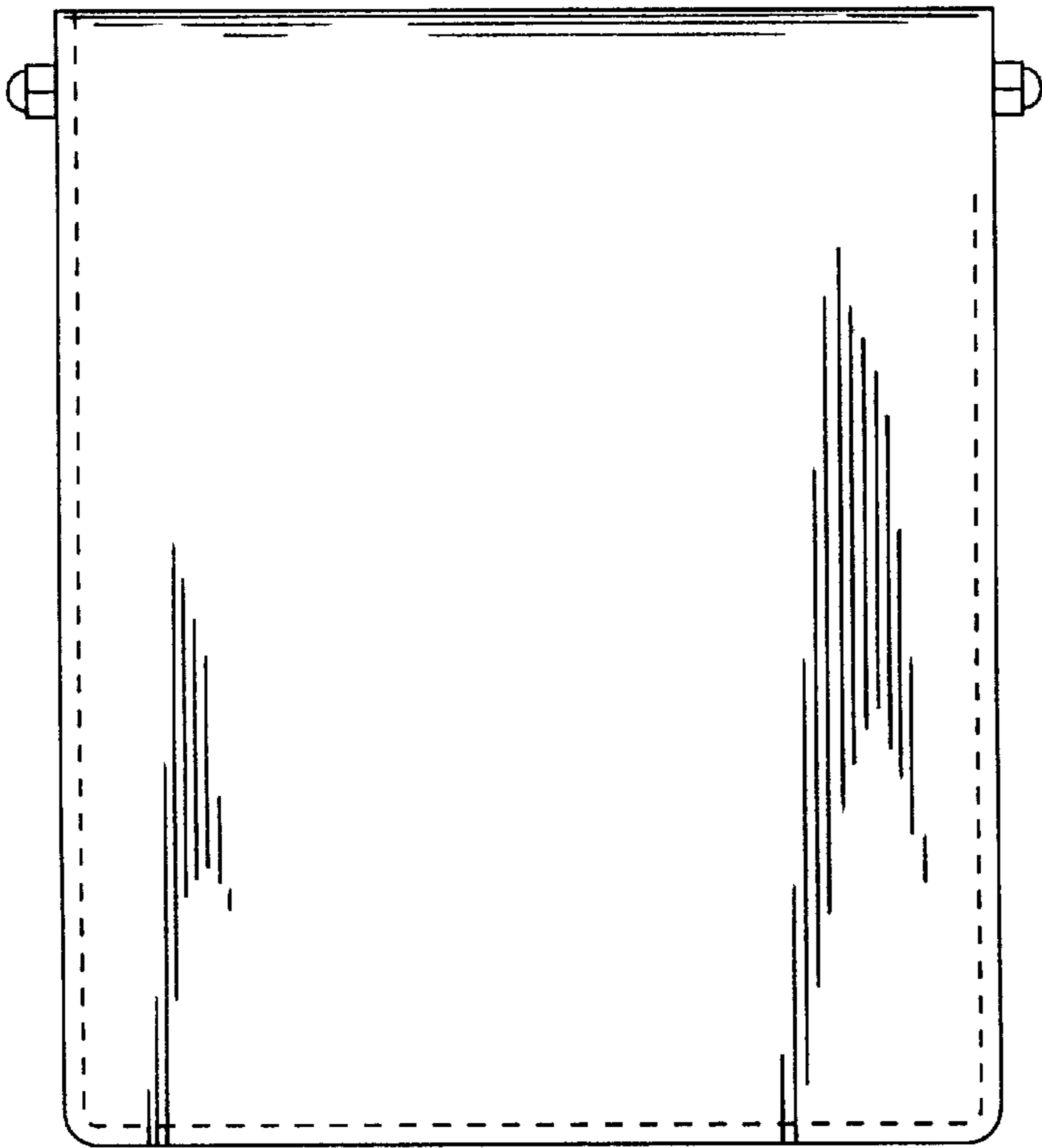


FIG. 6

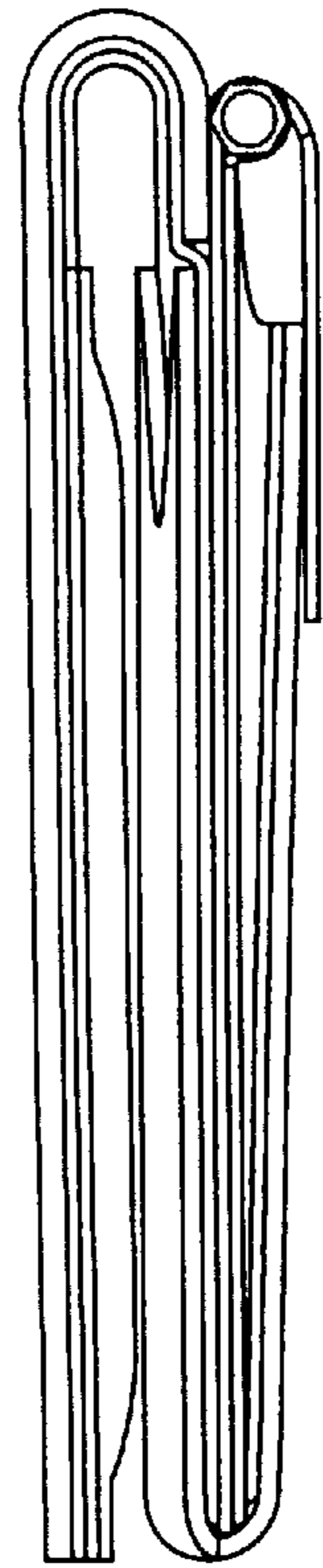


FIG. 5

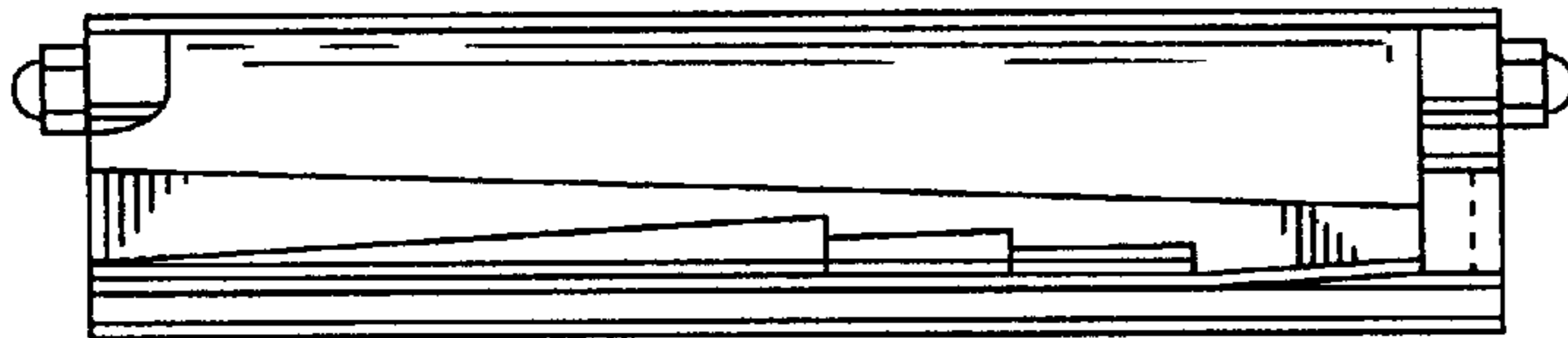


FIG. 7

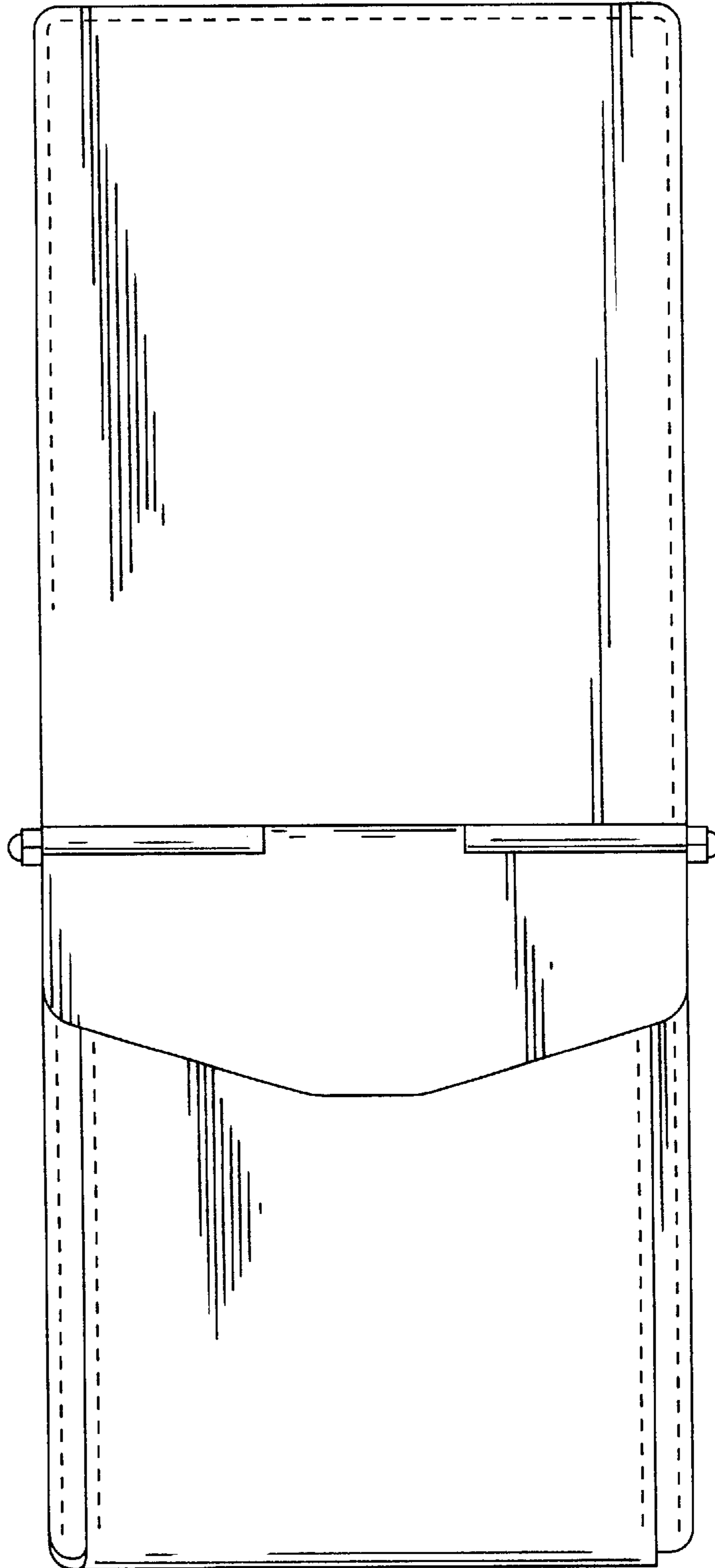


FIG. 8

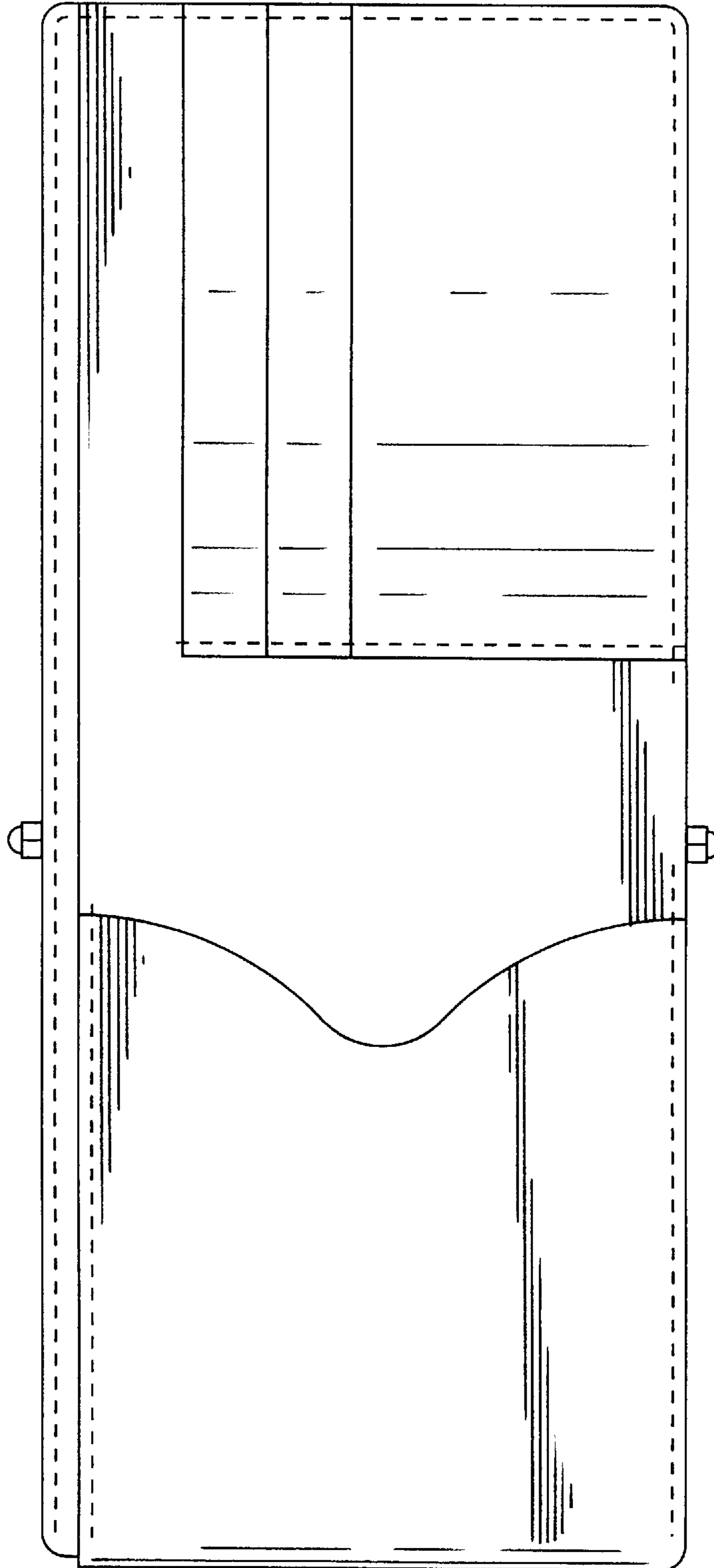


FIG. 9

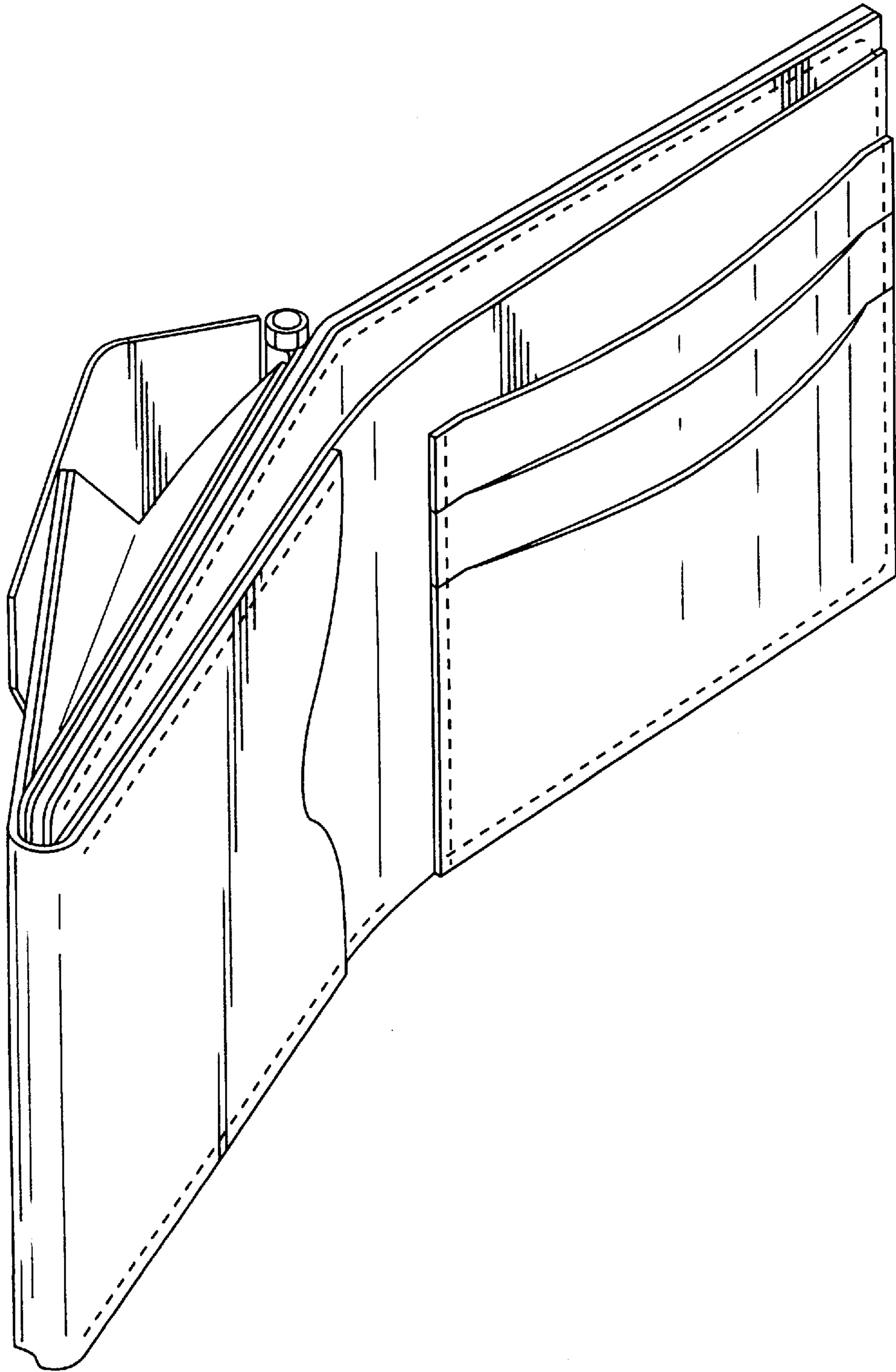


FIG. 10

