



US00D404560S

United States Patent [19]
Ullmann

[11] **Patent Number: Des. 404,560**
[45] **Date of Patent: **Jan. 26, 1999**

[54] **CARRYING ETUI FOR A SHAVER**
[75] Inventor: **Roland Ullmann**, Offenbach, Germany
[73] Assignee: **Braun Aktiengesellschaft**, Frankfurt, Germany
[**] Term: **14 Years**

3,254,787 6/1966 Braun 206/351
3,333,681 8/1967 Spohr et al. 206/351
3,562,905 2/1971 Rakocy et al. 206/351

Primary Examiner—Louis S. Zarfes
Assistant Examiner—Monica A. Weingart
Attorney, Agent, or Firm—Fish & Richardson P.C.

[21] Appl. No.: **80,502**
[22] Filed: **Dec. 10, 1997**

[57] **CLAIM**
The ornamental design for a carrying etui for a shaver, as shown and described.

[30] **Foreign Application Priority Data**
Jun. 12, 1997 [XH] Hague Agreement DM 040 465
[51] **LOC (6) Cl.** **03-01**
[52] **U.S. Cl.** **D3/205; D3/201**
[58] **Field of Search** D3/201, 205, 242;
190/109, 901; 206/6, 301, 351

DESCRIPTION

FIG. 1 is a perspective right-side front elevational view of a carrying etui for a shaver, showing my design;
FIG. 2 is a front view of the appliance of FIG. 1;
FIG. 3 is a right side view of the appliance of FIG. 2;
FIG. 4 is a left side view of the appliance of FIG. 2;
FIG. 5 is a rear view of the appliance of FIG. 2;
FIG. 6 is a top plan view of the appliance of FIG. 2;
FIG. 7 is a bottom plan view of the appliance of FIG. 2;
FIG. 8 is a view of the appliance of FIG. 1, wherein the carrying etui for a shaver is opened from the right side; and,
FIG. 9 is a view of the appliance of FIG. 1, wherein the carrying etui for a shaver is complete opened.

[56] **References Cited**
U.S. PATENT DOCUMENTS
D. 192,960 6/1962 Buderman D3/205
1,722,507 7/1929 Stanley D3/205 X
2,458,721 1/1949 Nenno 206/351
3,240,324 3/1966 Braun 206/351

1 Claim, 6 Drawing Sheets

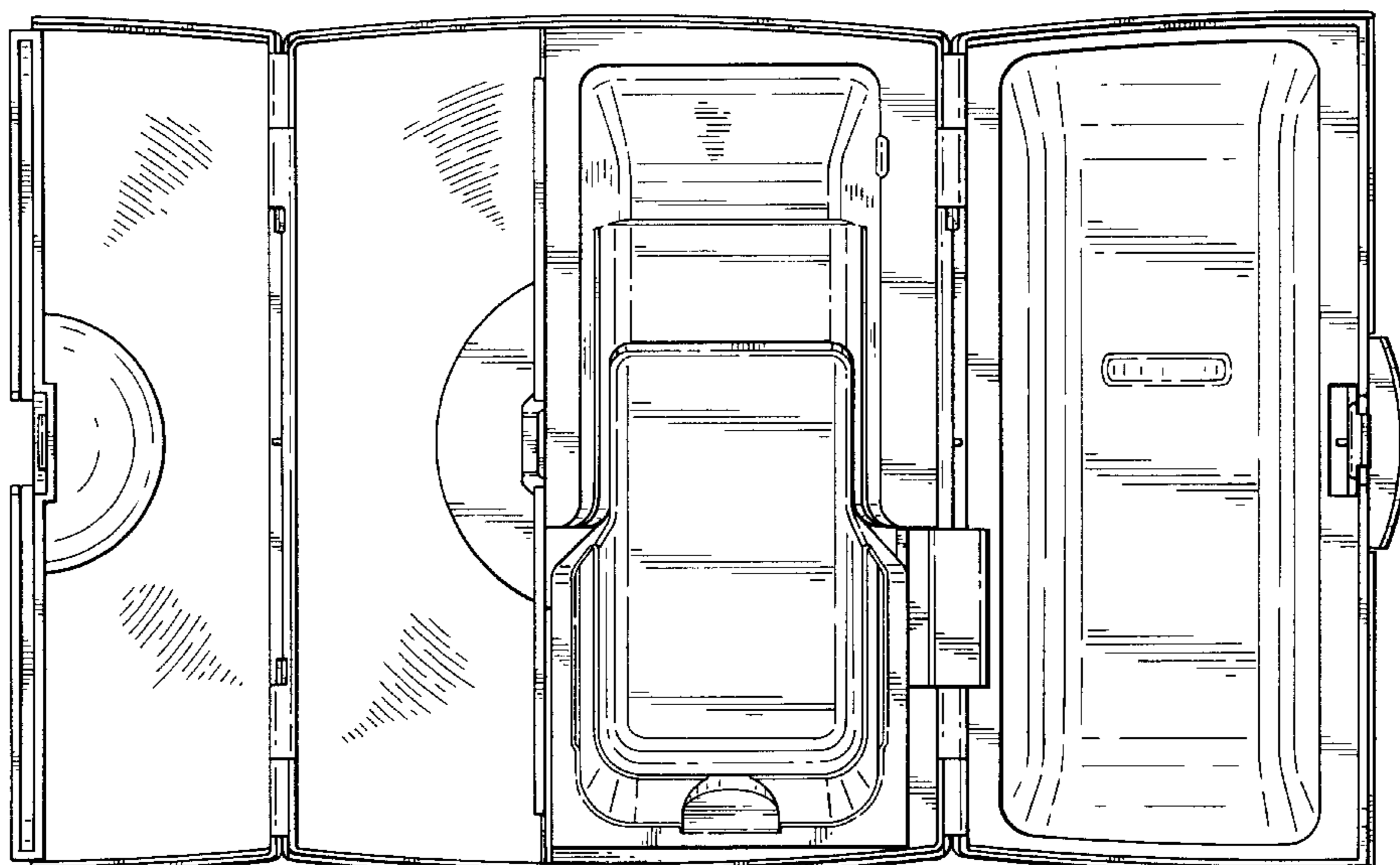
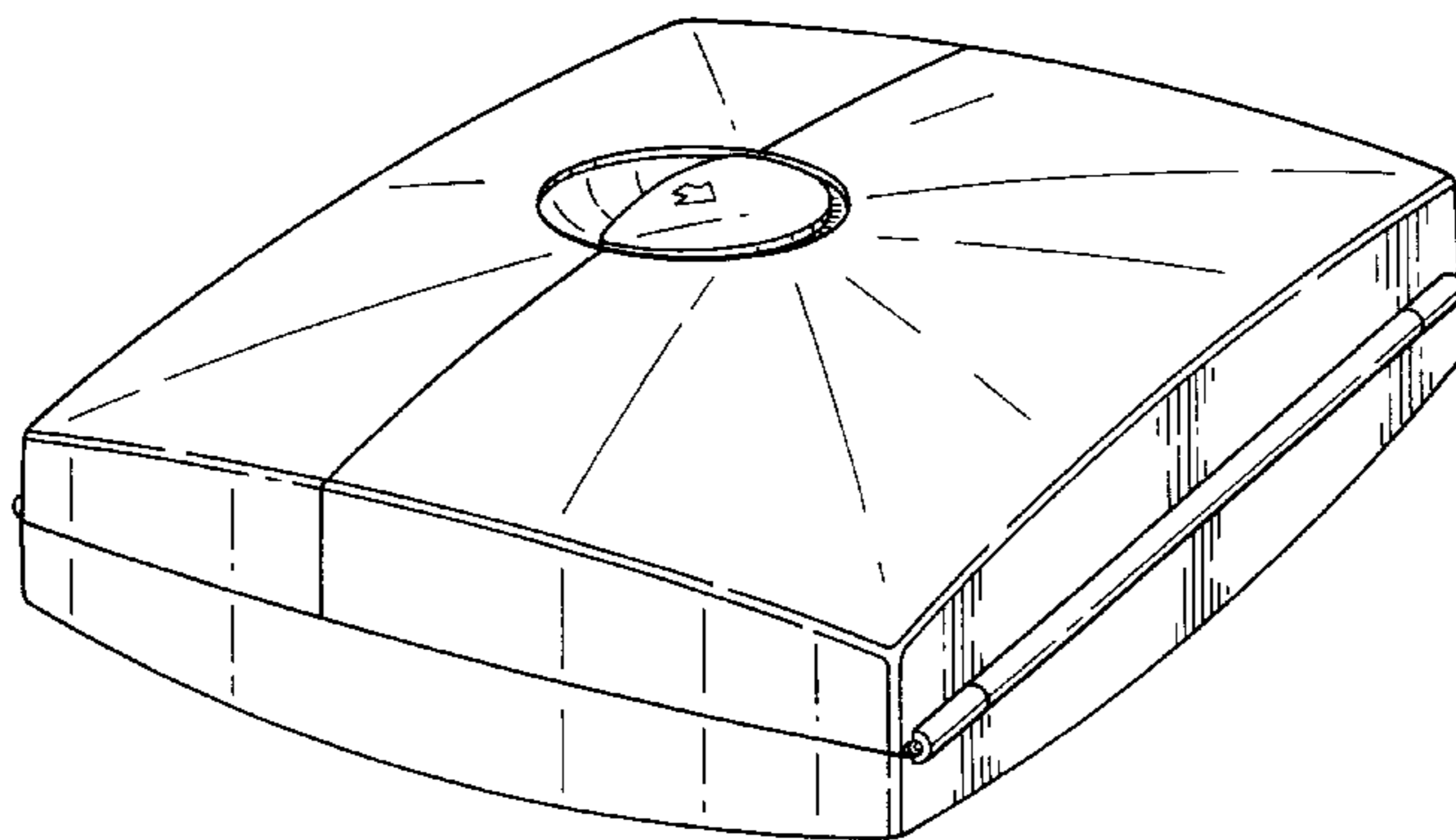


Fig. 1

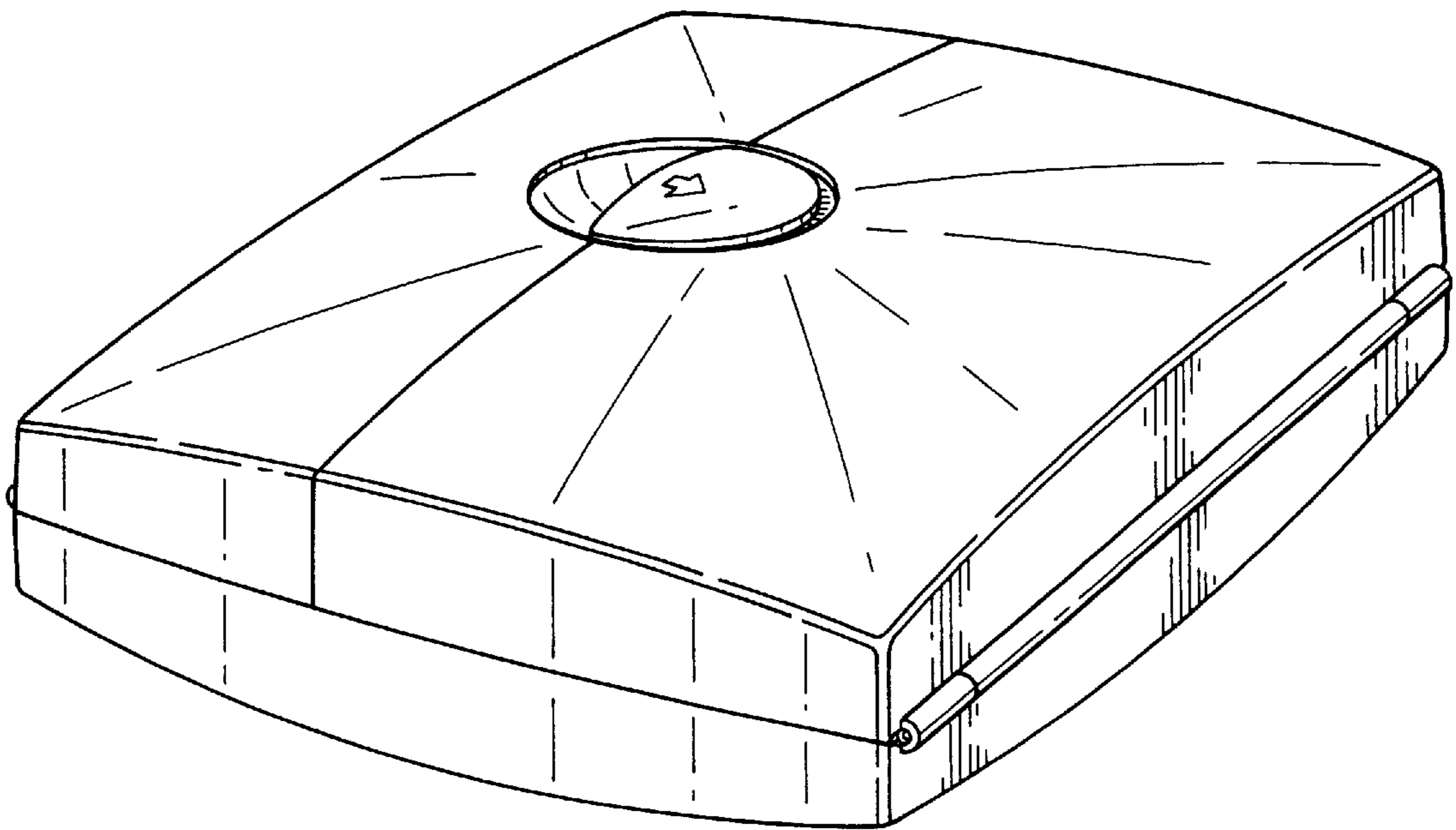


Fig. 2

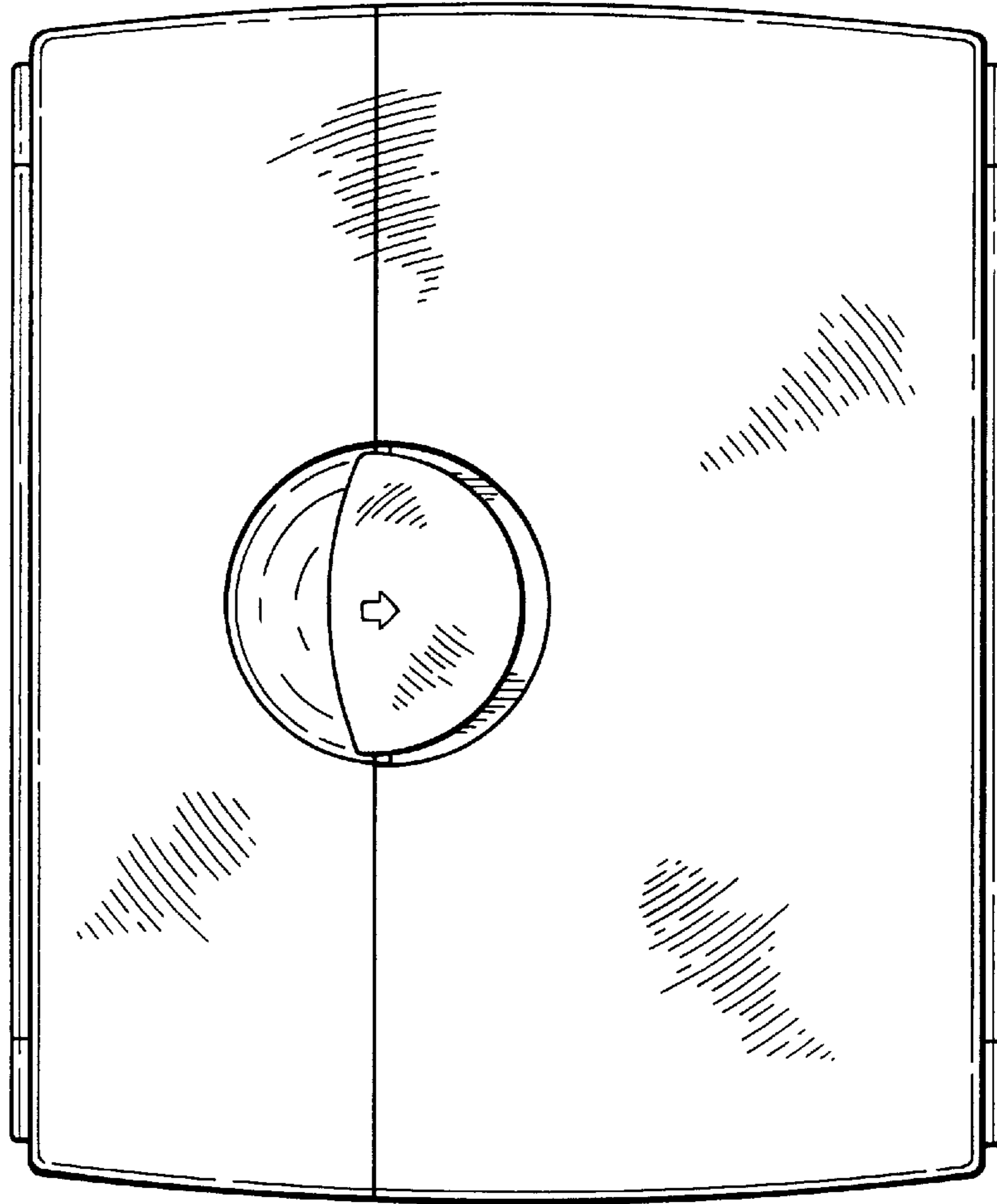


Fig. 7

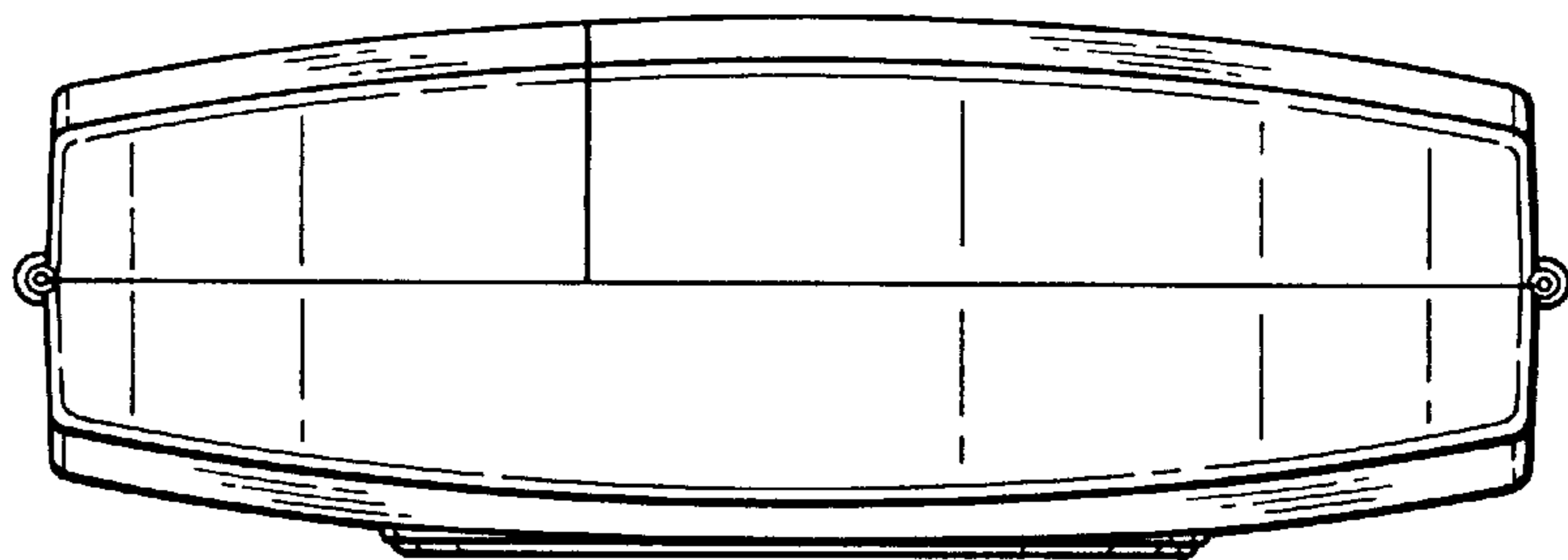


Fig. 3

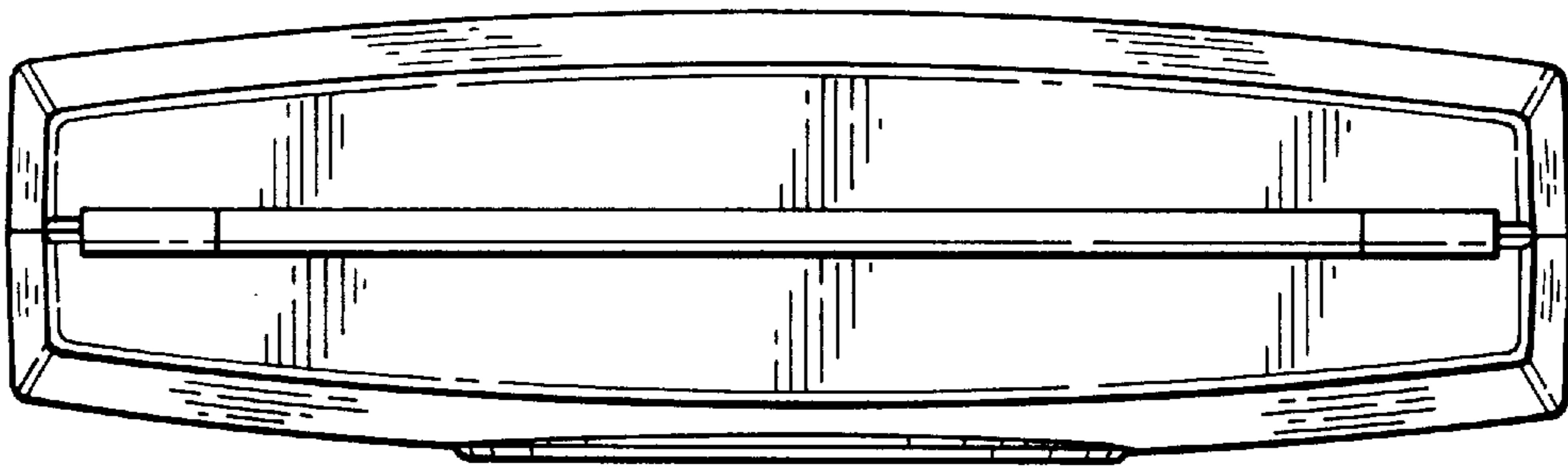


Fig. 4

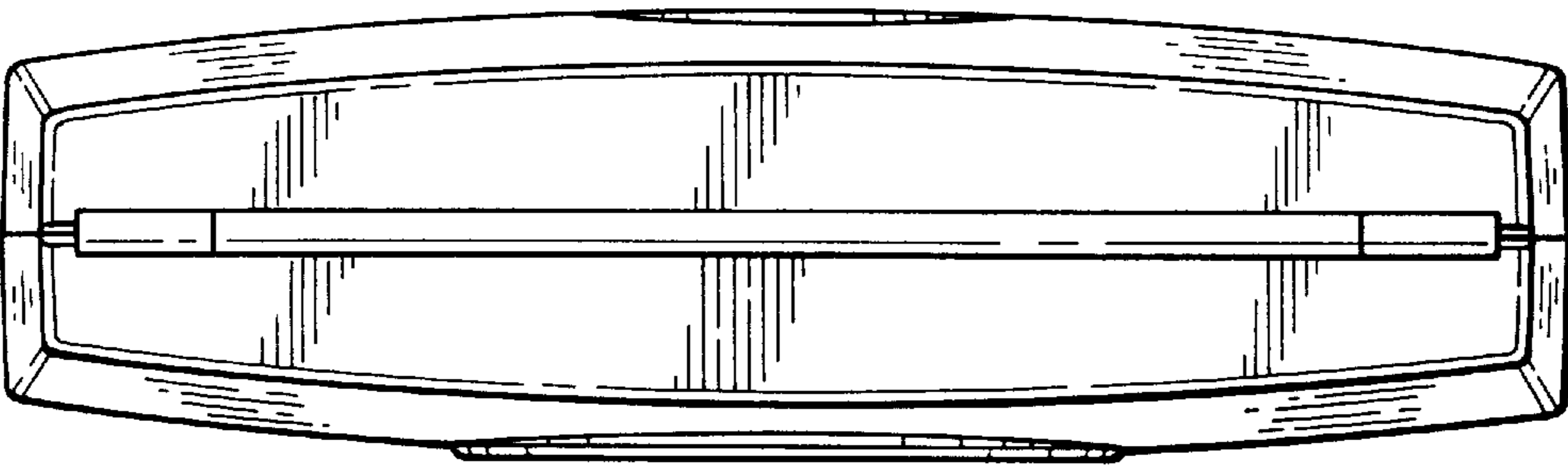


Fig. 6

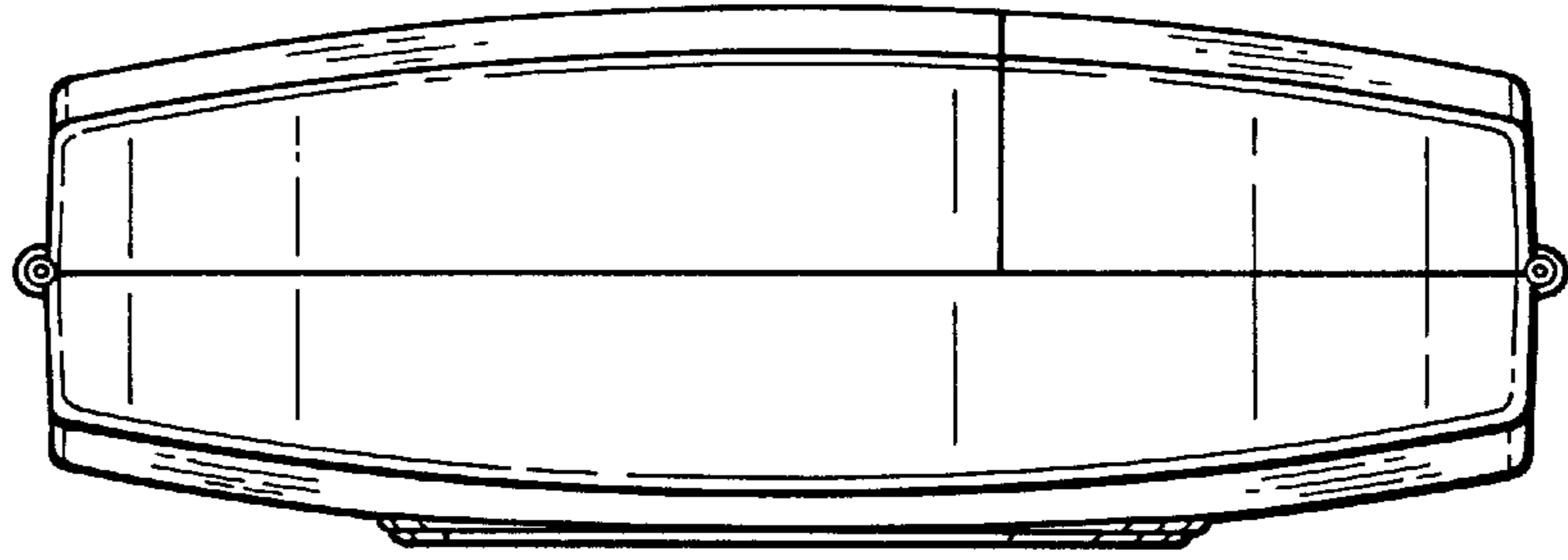


Fig. 5

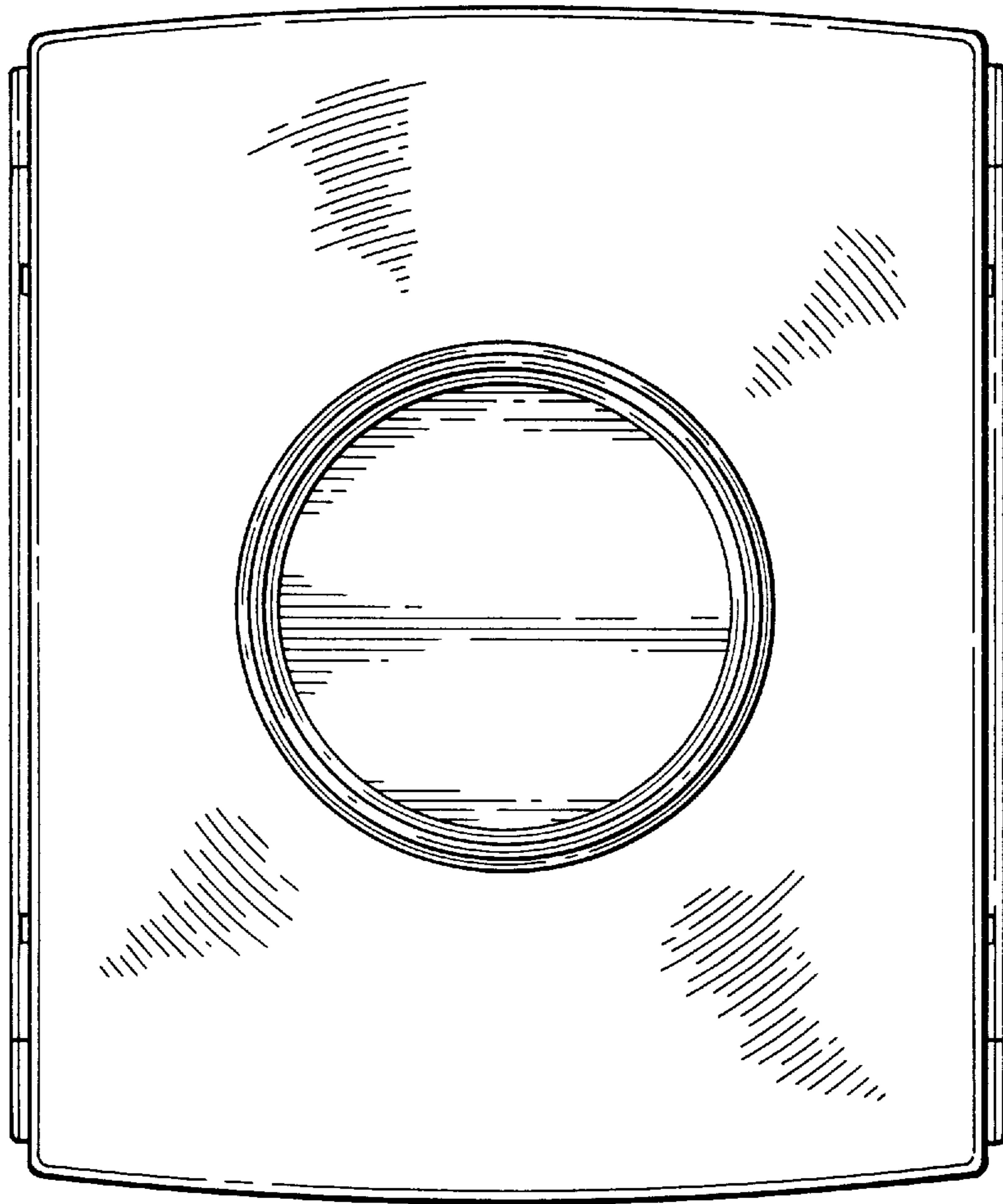
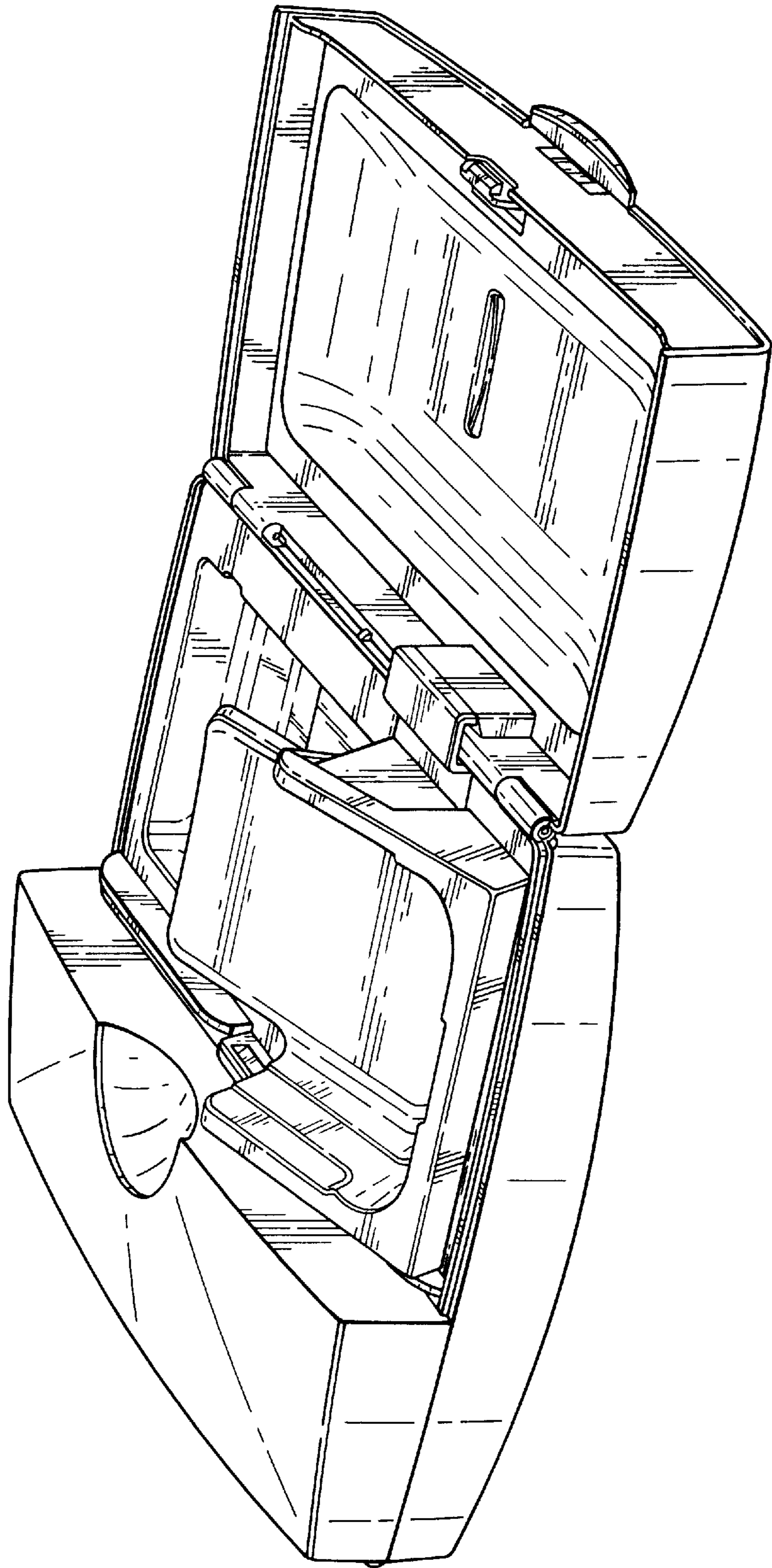


Fig. 8



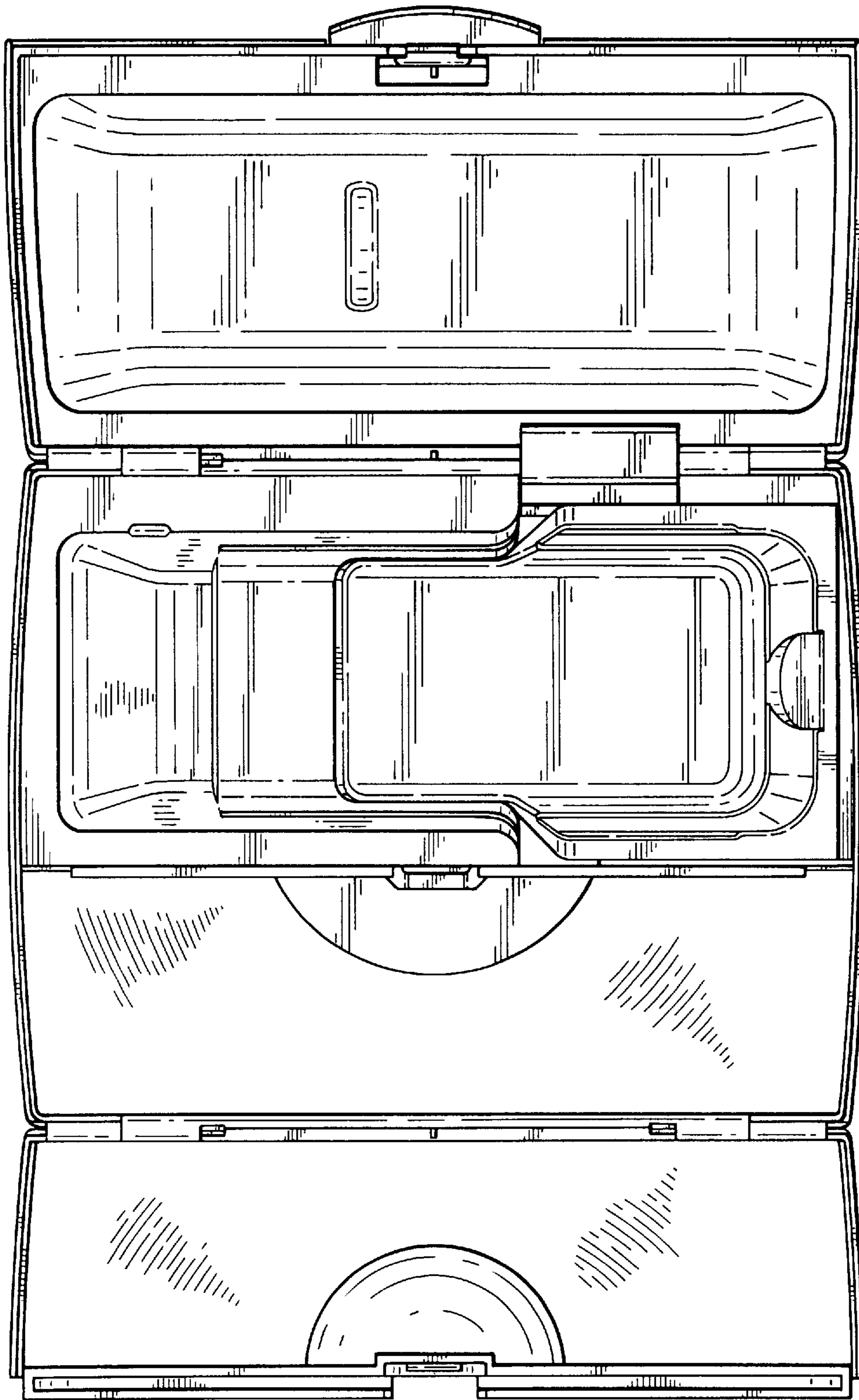


Fig. 9