



US00D404552S

United States Patent [19]

[11] **Patent Number: Des. 404,552**

Lupo

[45] **Date of Patent: **Jan. 26, 1999**

[54] **CLIMBING BOOT HARNESS**

[75] Inventor: **Vincent A. Lupo**, West Hills, Calif.

[73] Assignee: **V.A. Wolf Inc.**, Burbank, Calif.

[**] Term: **14 Years**

[21] Appl. No.: **84,802**

[22] Filed: **Mar. 10, 1998**

[51] **LOC (6) Cl. 02-04**

[52] **U.S. Cl. D2/963; D2/946**

[58] **Field of Search D2/904, 963, 909, D2/946, 901; 182/221, 134; 36/113; D29/120**

[56] **References Cited**

U.S. PATENT DOCUMENTS

D. 306,921	3/1990	Pettinelli	D29/120
D. 383,250	9/1997	Amico	D29/120
D. 388,243	12/1997	Lupo	D2/963
5,231,775	8/1993	Trent, Jr.	36/113

Primary Examiner—Louis S. Zarfes
Assistant Examiner—G. Andoll
Attorney, Agent, or Firm—Kelly Bauersfeld Lowry & Kelley, LLP.

[57] **CLAIM**

The ornamental design for a climbing boot harness, as shown and described.

DESCRIPTION

FIG. 1 is a perspective view showing the front inboard and top sides of a climbing boot harness embodying the new design;

FIG. 2 is a front elevation view thereof;

FIG. 3 is an inboard side elevation view thereof;

FIG. 4 is an outboard side elevation view thereof;

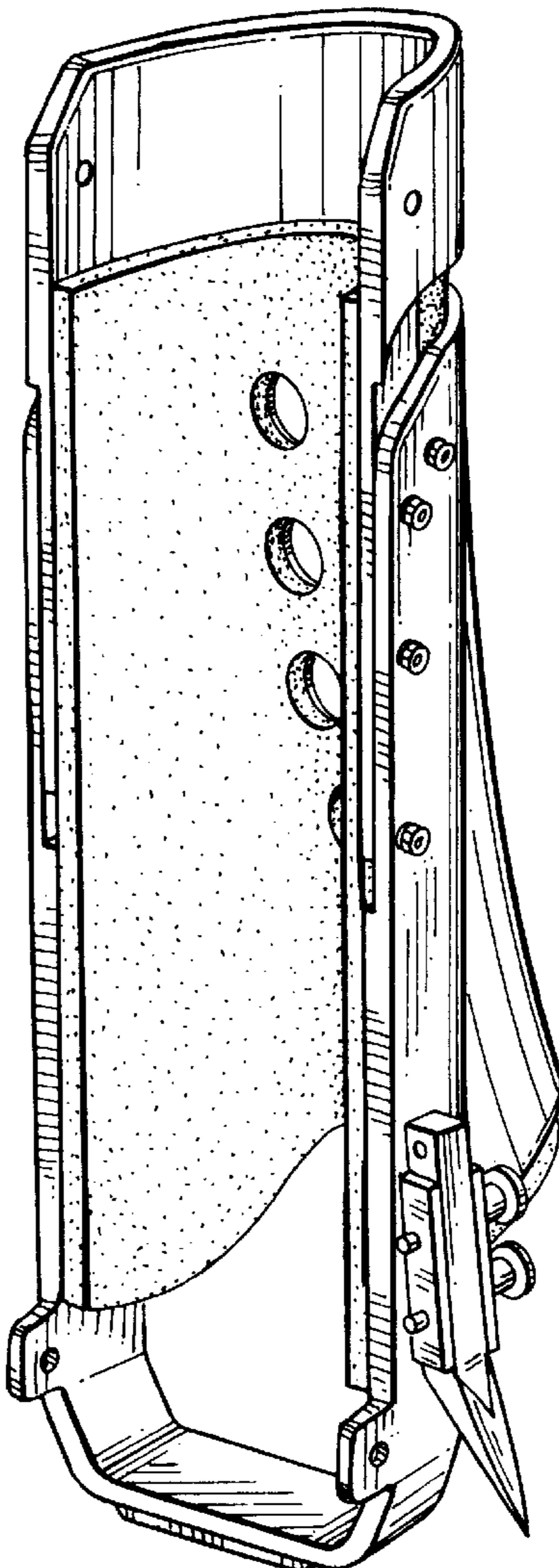
FIG. 5 is a rear elevation view thereof;

FIG. 6 is a bottom plan view thereof; and,

FIG. 7 is a top plan view thereof.

The dotted line depiction of the boot straps in FIGS. 3, 4, 6 and 7 are for illustrative purposes only and forms no part of the claimed design.

1 Claim, 3 Drawing Sheets



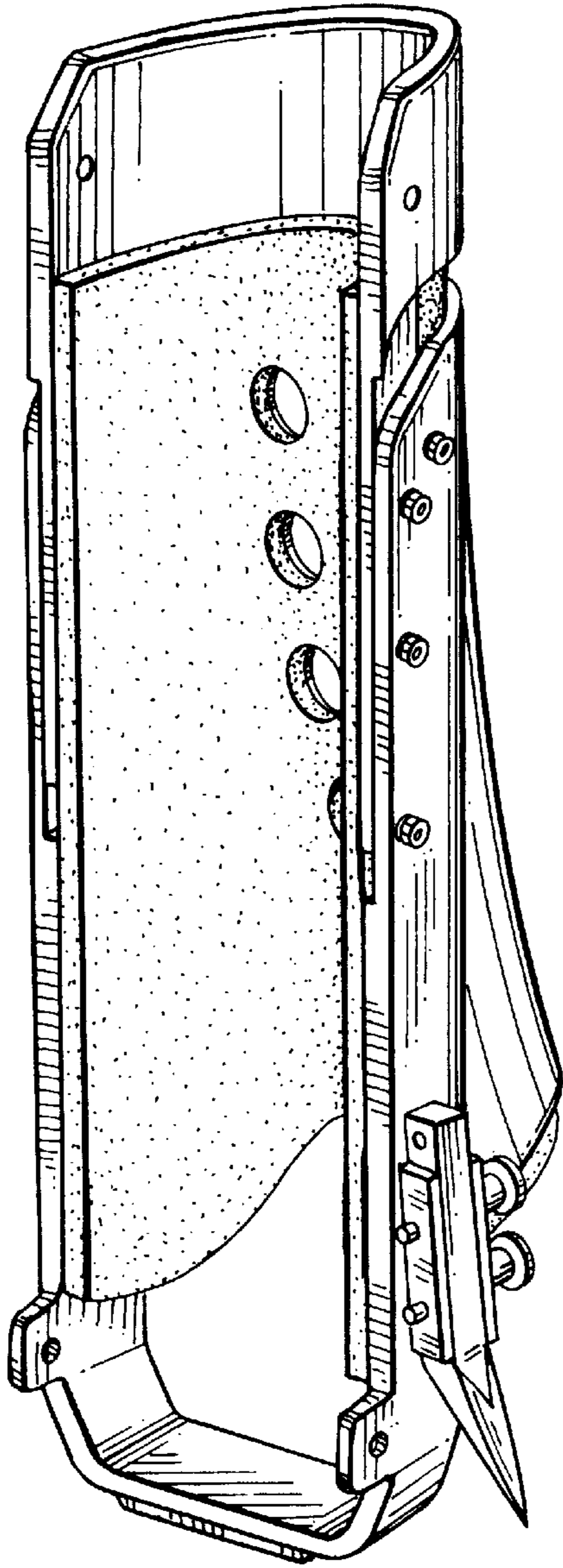


FIG. 1

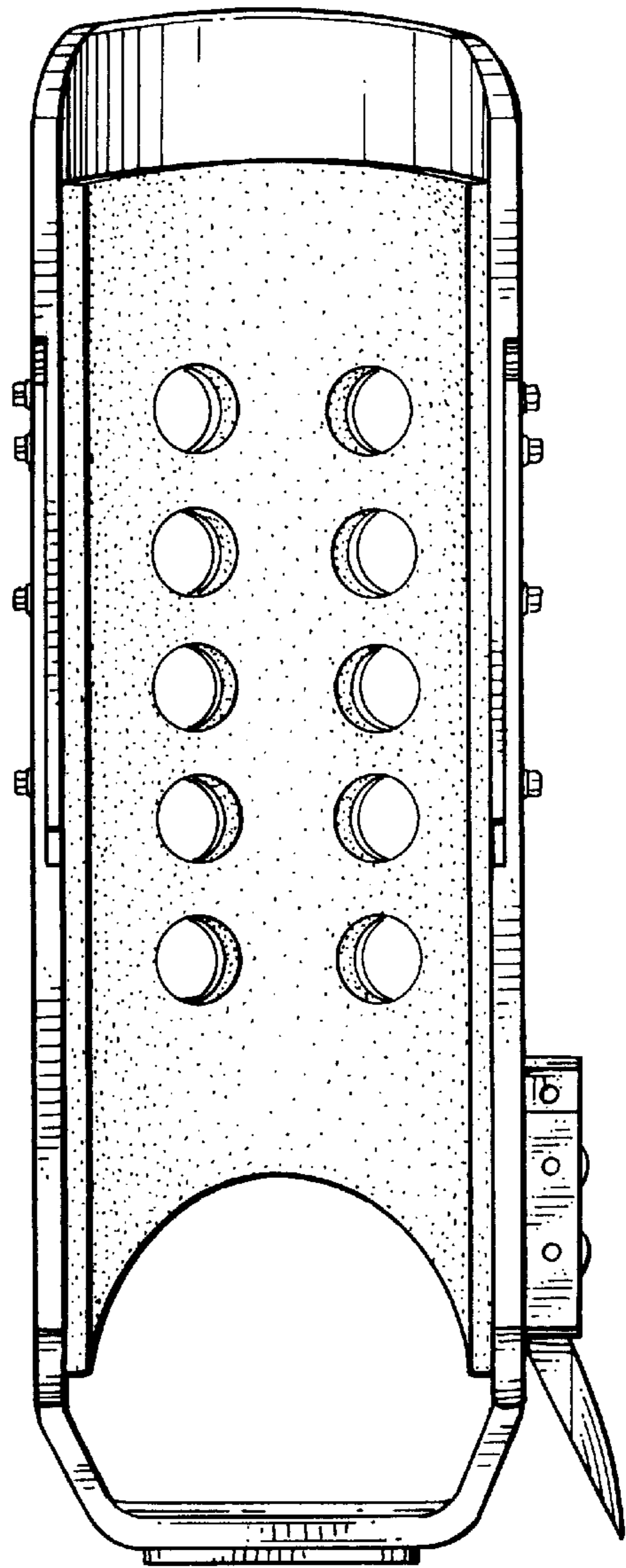


FIG. 2

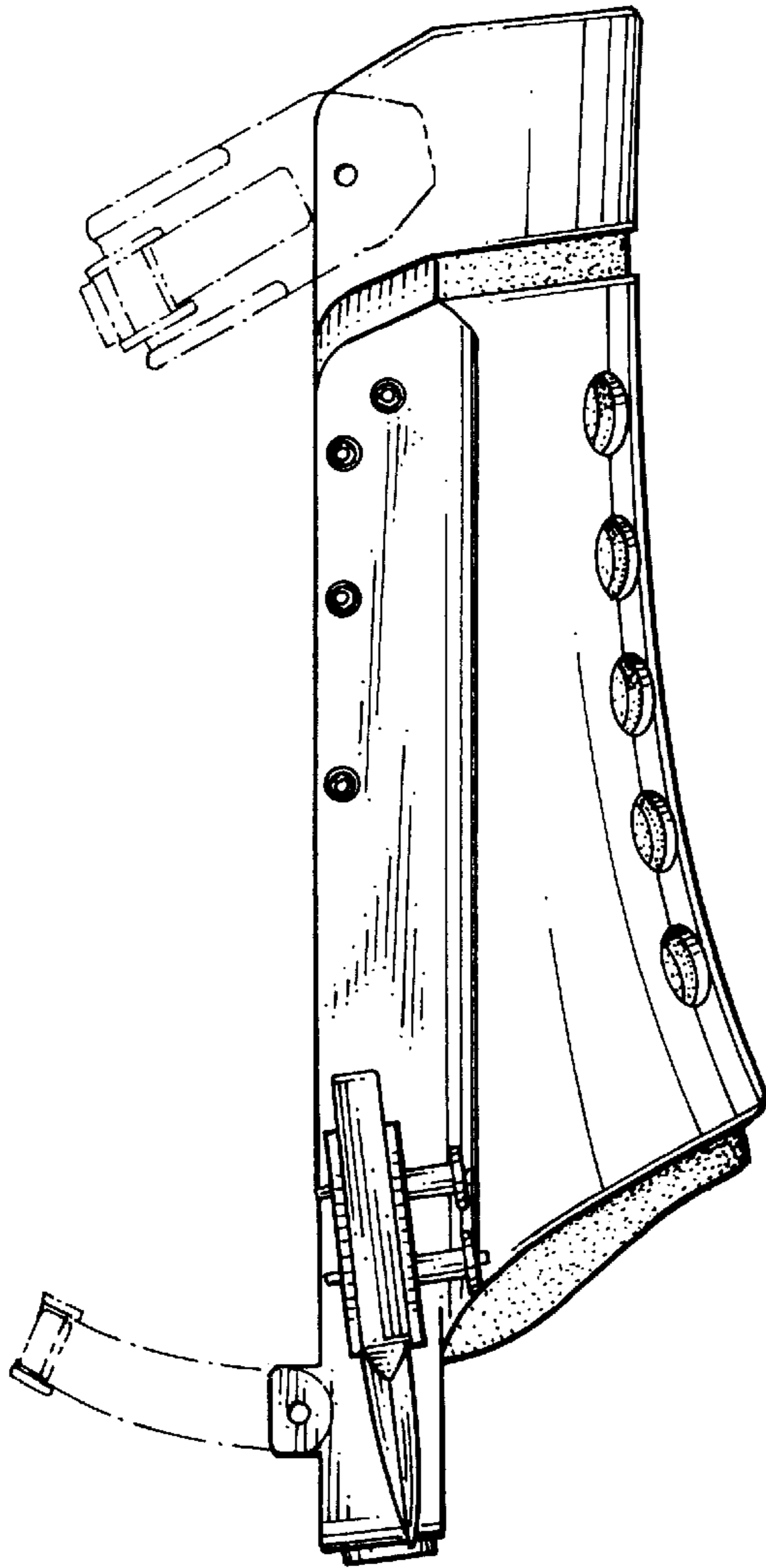


FIG. 3

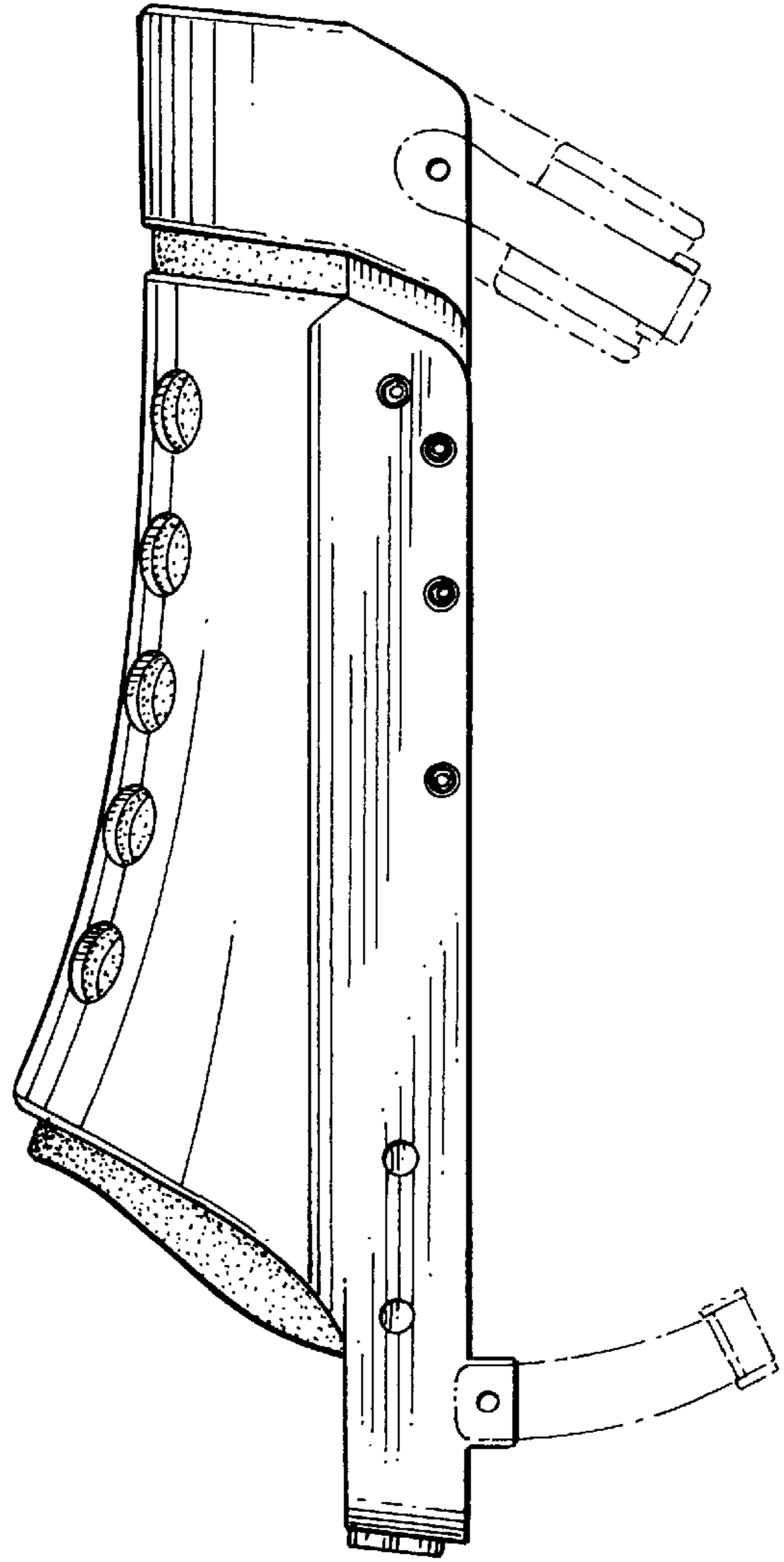


FIG. 4

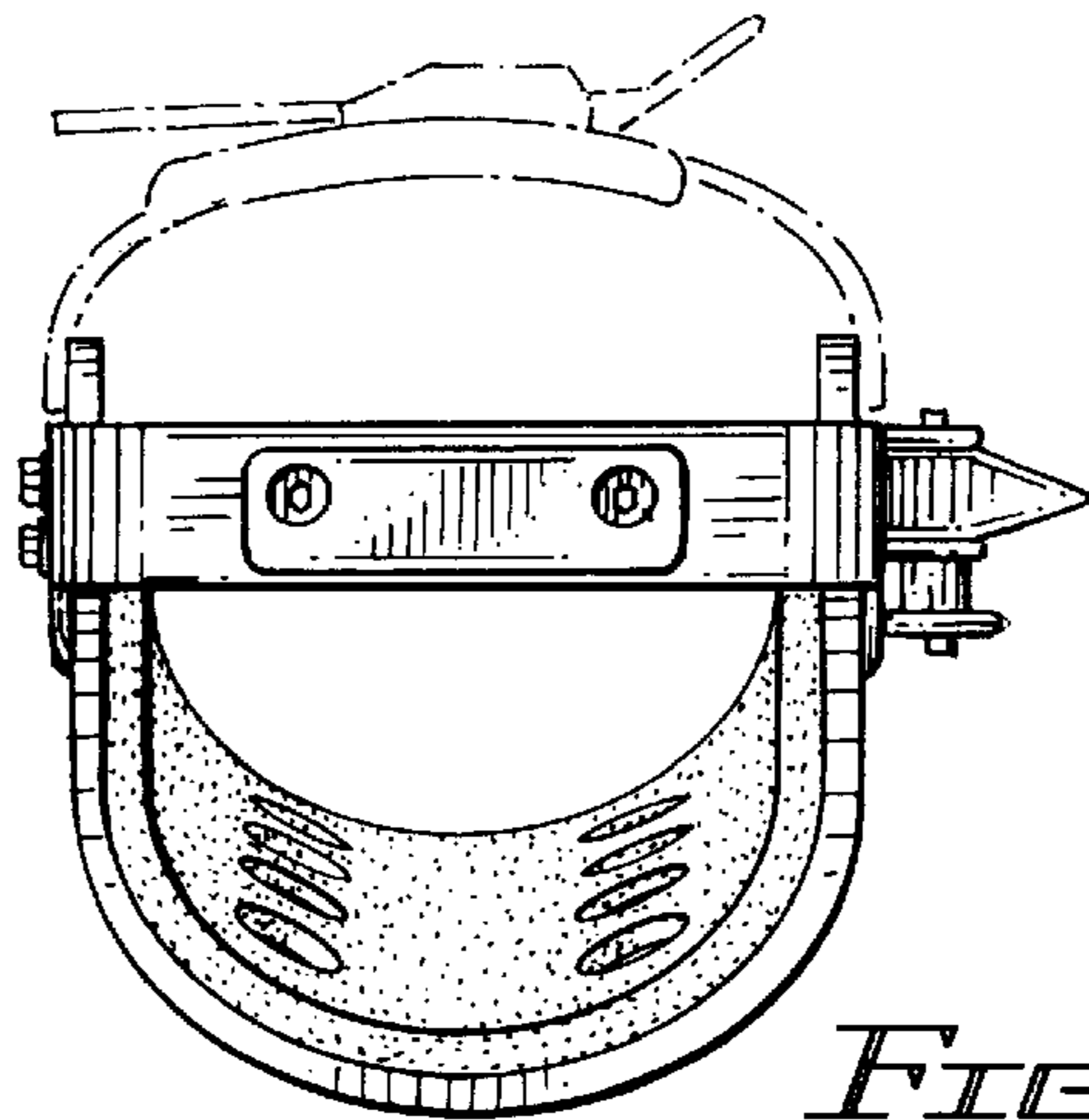


FIG. 6

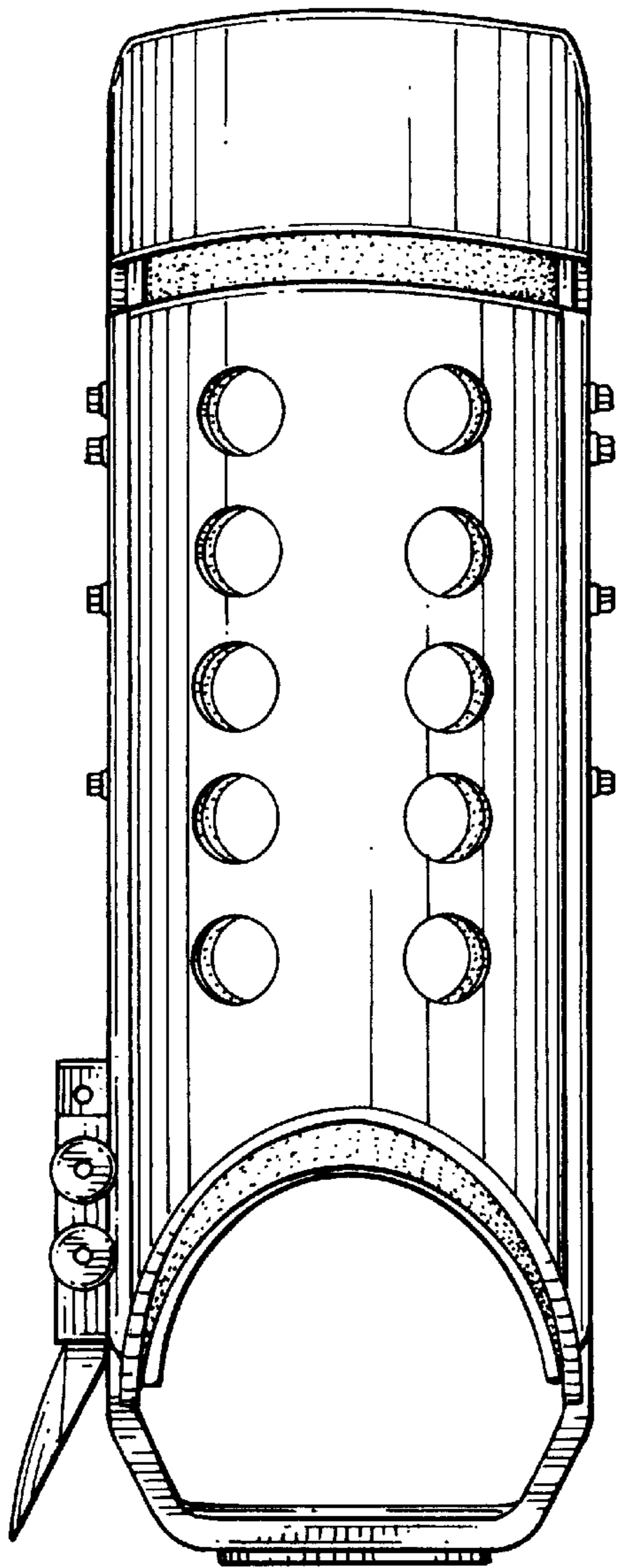


FIG. 5

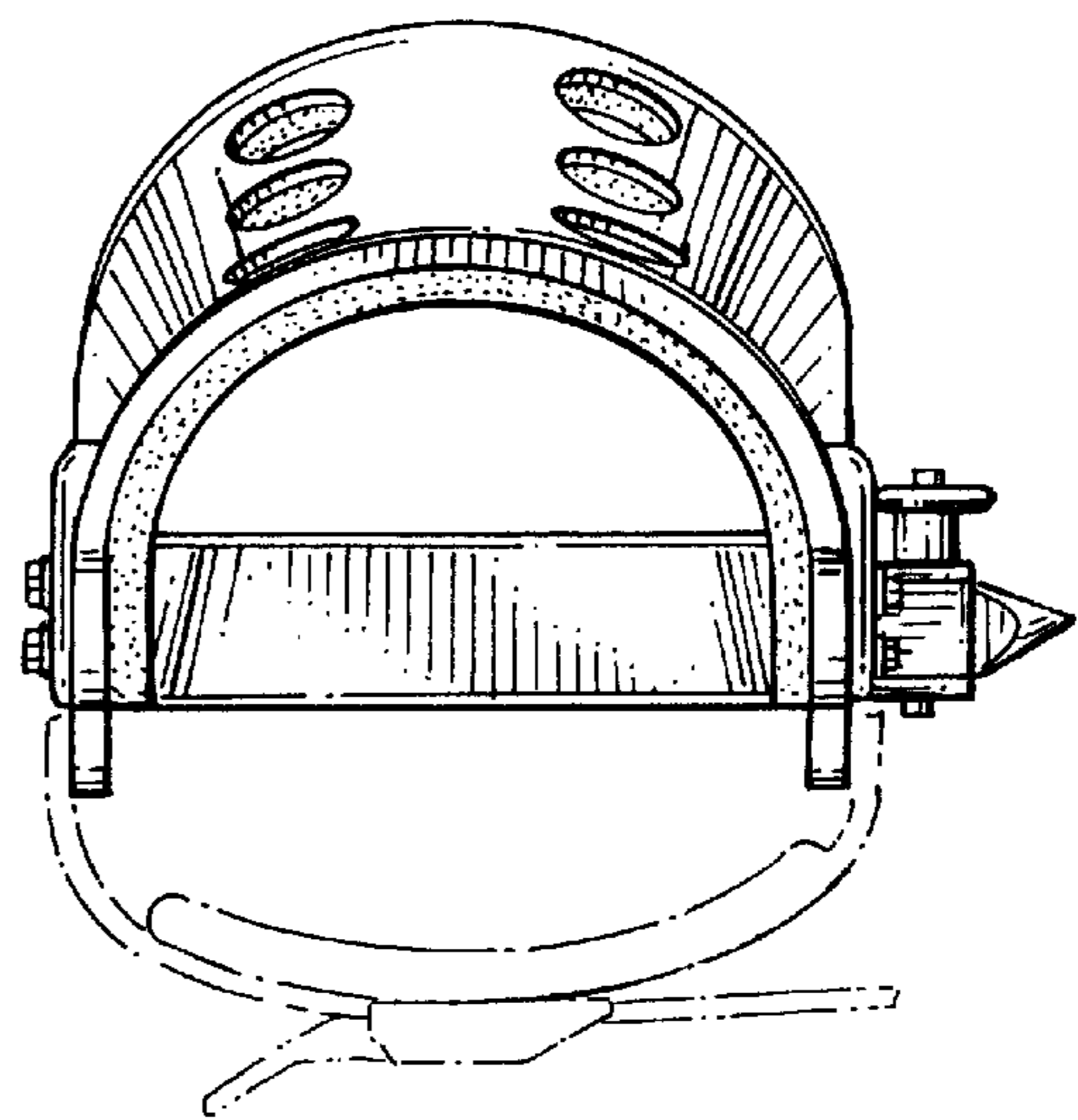


FIG. 7