



US00D404529S

# United States Patent [19] Megna

[11] **Patent Number: Des. 404,529**

[45] **Date of Patent: \*\*Jan. 19, 1999**

[54] **NAIL FILE**

5,109,637 5/1992 Calafut ..... 51/391  
5,349,969 9/1994 Price ..... 132/76.5

[75] Inventor: **Michael Megna**, Sacramento, Calif.

[73] Assignee: **Backscratchers, Inc.**, Elk Grove, Calif.

[\*\*] Term: **14 Years**

[21] Appl. No.: **80,131**

[22] Filed: **Sep. 3, 1997**

### Related U.S. Application Data

[62] Division of Ser. No. 41,928, Jul. 27, 1995, Pat. No. Des. 383,567.

[51] **LOC (6) Cl. .... 28-03**

[52] **U.S. Cl. .... D28/59**

[58] **Field of Search** ..... D28/56-62; D8/90-94;  
132/73, 73.5, 75.6, 76.4, 76.5; 451/523-526,  
533, 534, 538-9; 51/297, 299, 293; 428/40.1

### [56] References Cited

#### U.S. PATENT DOCUMENTS

26,197	11/1859	Mayall	51/299
D. 133,008	7/1942	McCall	D19/73
D. 294,303	2/1988	Giovagnoni	D28/59
D. 323,569	1/1992	Nguyen	D28/59
D. 327,622	7/1992	Braid	D8/90
D. 338,740	8/1993	Nguyen	D28/59
D. 350,218	8/1994	Thomas	D28/59
1,473,007	11/1923	Boechat	.
1,700,076	1/1929	Riggsbee	132/76.5
1,766,321	6/1930	Arthur	132/76.5
1,888,218	11/1932	Bynum	132/76.5
2,183,930	12/1939	Brekke	51/297
2,376,946	5/1945	Stinson	132/76.5
3,339,562	9/1967	Rowe	132/76.5
4,541,443	9/1985	Brothers et al.	132/75.6
4,621,465	11/1986	Pangburn	132/76.4 X
5,056,273	10/1991	Martel et al.	451/525
5,088,509	2/1992	Savage, III	132/76.5

### FOREIGN PATENT DOCUMENTS

124177	5/1947	Australia	132/76.5
555686	8/1993	European Pat. Off.	132/73
3624251	1/1988	Germany	.

### OTHER PUBLICATIONS

Hong Kong Enterprise Jul. 1987, p. 398—item No. “ER”.  
Hong Kong Enterprise Jun. 1993, 1) p. 548—element indicated by arrow. 2) p. 234—item NC-001 at top of page.

*Primary Examiner*—Philip S. Hyder  
*Assistant Examiner*—C. Tuttle  
*Attorney, Agent, or Firm*—Bernhard Kreten

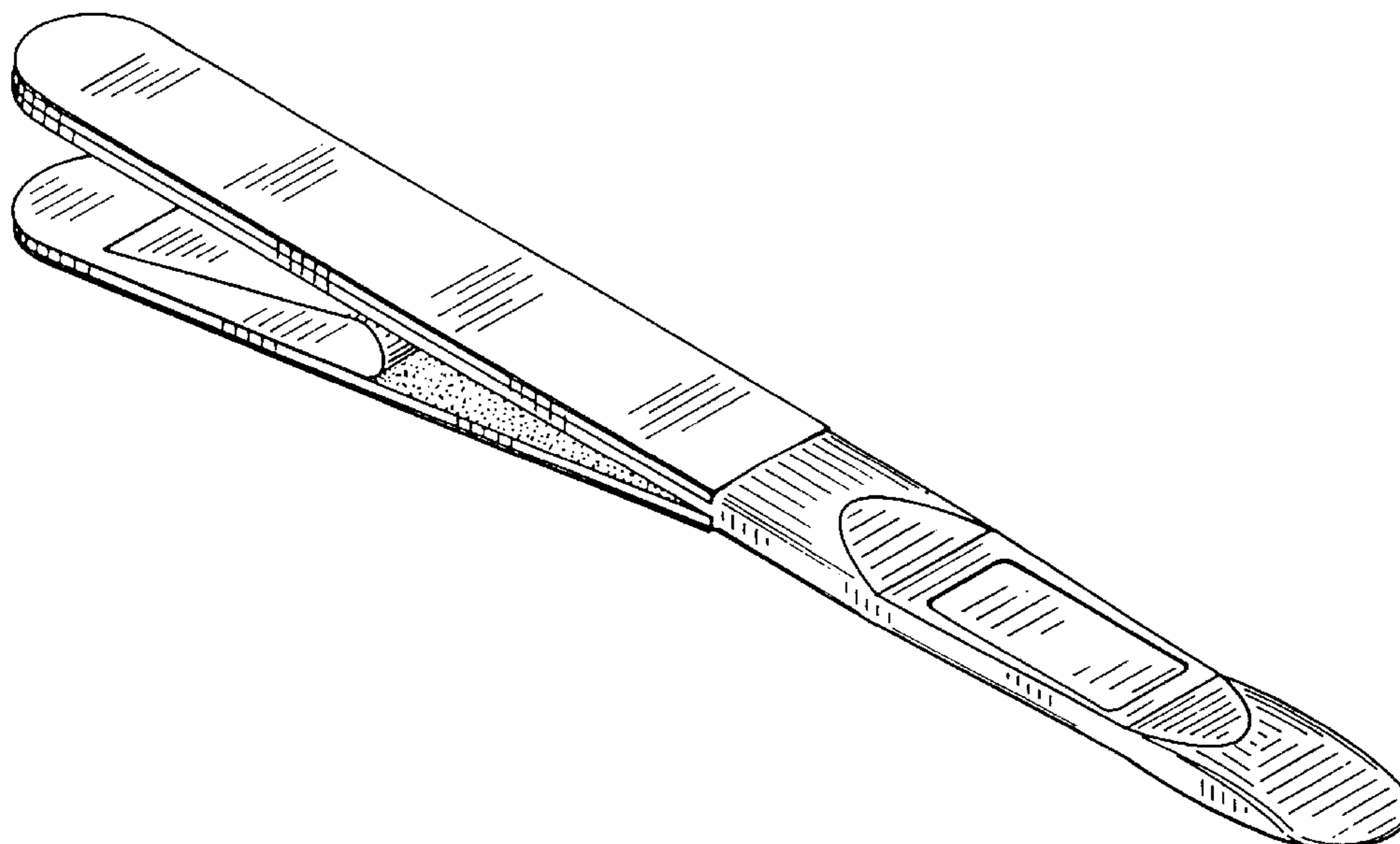
### [57] CLAIM

The ornamental design for a nail file, as shown and described.

### DESCRIPTION

FIG. 1 is a top perspective view of a nail file showing my new design in a partially assembled state;  
FIG. 2 is a top plan view thereof, the bottom plan view being a mirror image of the side shown;  
FIG. 3 is a right side view shown with the replaceable elements removed for clarity of illustration;  
FIG. 4 is a bottom plan view of FIG. 2;  
FIG. 5 is a front end view of FIG. 2;  
FIG. 6 is a rear end view of FIG. 2;  
FIG. 7 is a top plan view of the replaceable element, shown separate from the assembly for clarity;  
FIG. 8 is a side elevational view thereof;  
FIG. 9 is a bottom view of the replaceable element, showing the peel strip partially removed;  
FIG. 10 is a front end elevational view of FIGS. 7 and 8; and, FIG. 11 is a rear end view thereof.

**1 Claim, 5 Drawing Sheets**



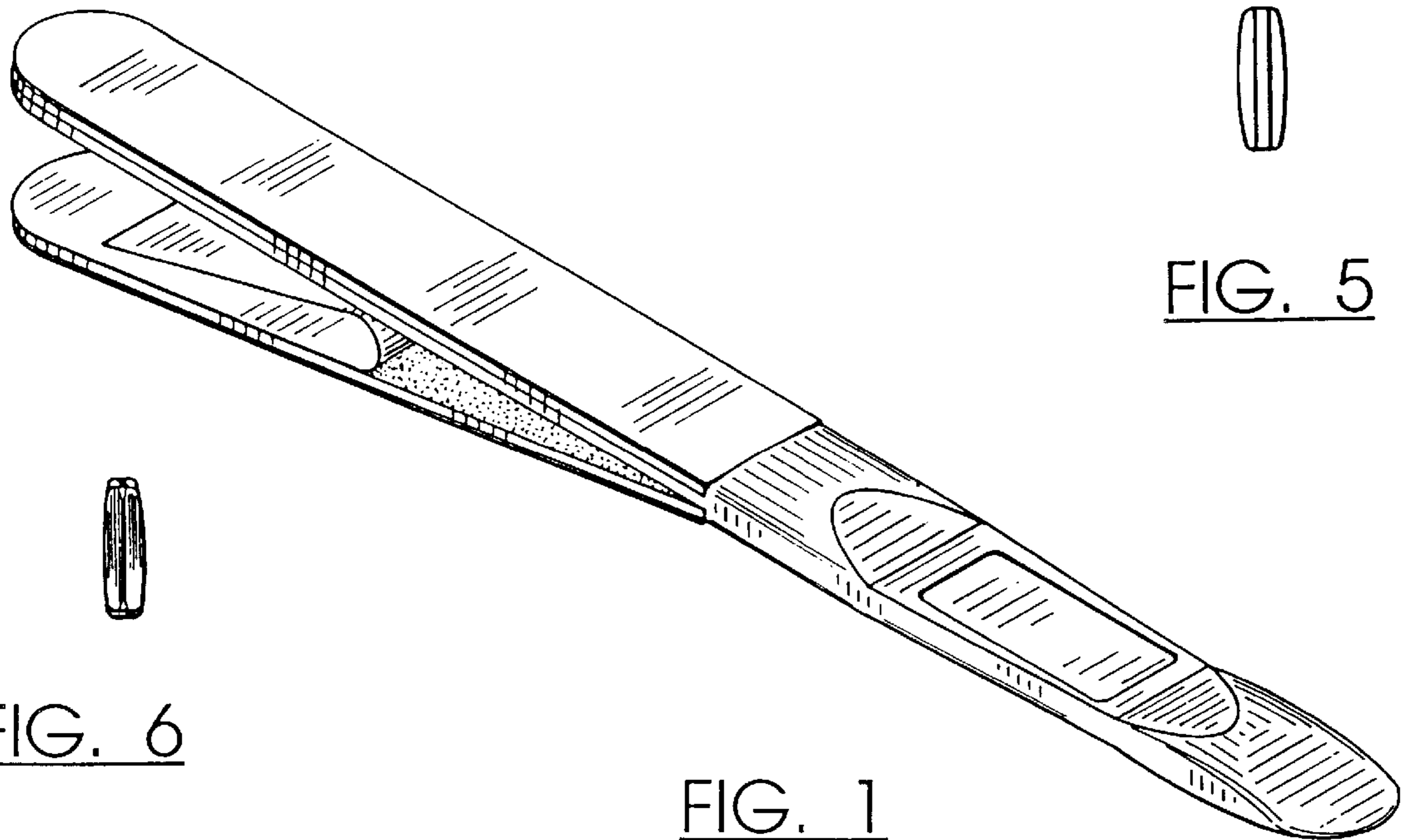


FIG. 6

FIG. 1

FIG. 5

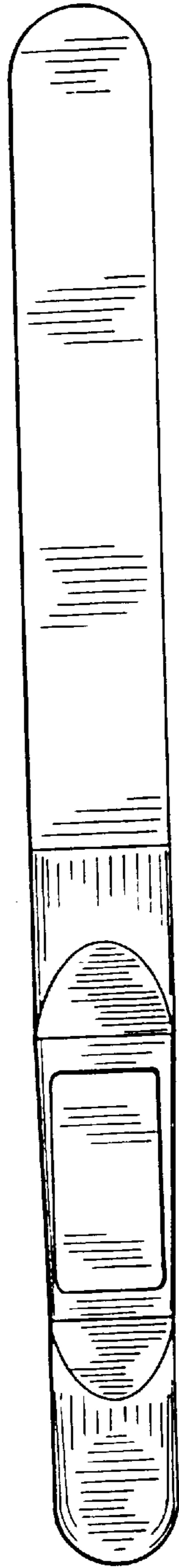


FIG. 2



FIG. 3

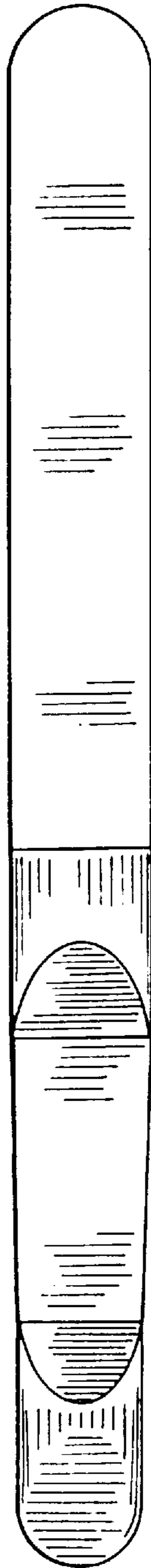


FIG. 4

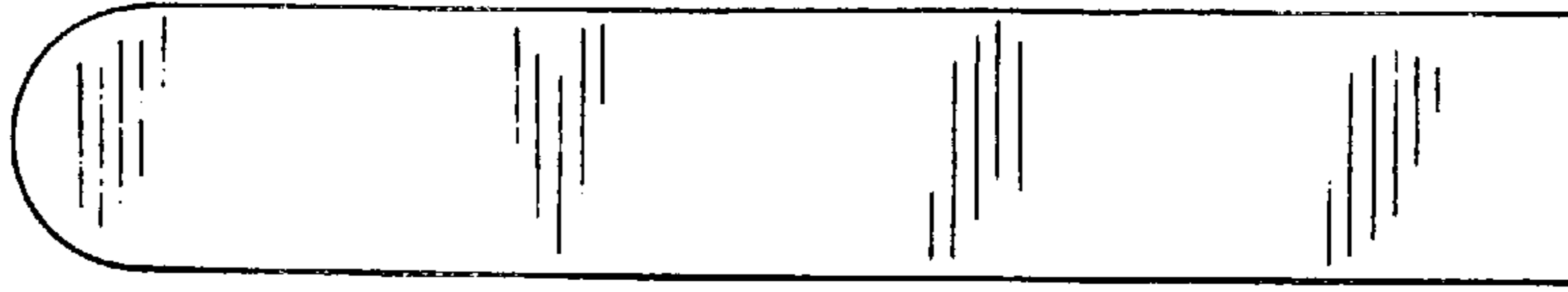


FIG. 7

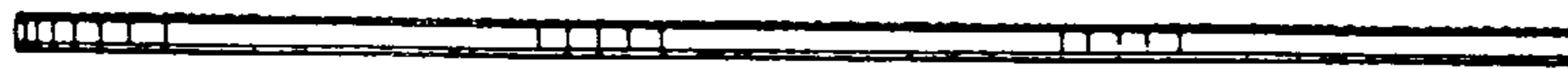


FIG. 8



FIG. 9



FIG. 10



FIG. 11