



US00D404513S

United States Patent [19]

Herst et al.

[11] Patent Number: Des. 404,513

[45] Date of Patent: **Jan. 19, 1999

[54] DIRECT-INDIRECT LUMINAIRE HOUSING

[75] Inventors: Douglas J. Herst, Ross; Utkan Salman, Oakland, both of Calif.

[73] Assignee: Peerless Lighting Corporation, Berkeley, Calif.

[**] Term: 14 Years

[21] Appl. No.: 75,480

[22] Filed: Jul. 8, 1997

Related U.S. Application Data

[63] Continuation of Ser. No. 54,874, May 23, 1996, abandoned.

[51] LOC (6) Cl. 26-05

[52] U.S. Cl. D26/77

[58] Field of Search D26/24, 72, 75, D26/76, 77, 78, 81, 85; 362/147, 218, 219, 220, 221, 222, 223, 224

[56] References Cited

U.S. PATENT DOCUMENTS

- D. 362,315 9/1995 Herst et al. D26/76
- D. 363,805 10/1995 Cole, Jr. D26/76
- D. 365,650 12/1995 Herst et al. D26/77

- 2,710,332 6/1955 Gogen D26/77
- 2,874,271 2/1959 Lipscomb D26/77
- 4,351,017 9/1982 Ball 362/147

OTHER PUBLICATIONS

Peerless Catalog Brochure, "Envision", 1994.
U.S. application No. 29/073568, Herst, filed Jul. 9, 1997.
U.S. application No. 29/073970, Herst, filed Jul. 8, 1997.
U.S. application No. 29/054872, Herst, filed May 23, 1996.

Primary Examiner—Susan J. Lucas
Attorney, Agent, or Firm—Donald L. Beeson

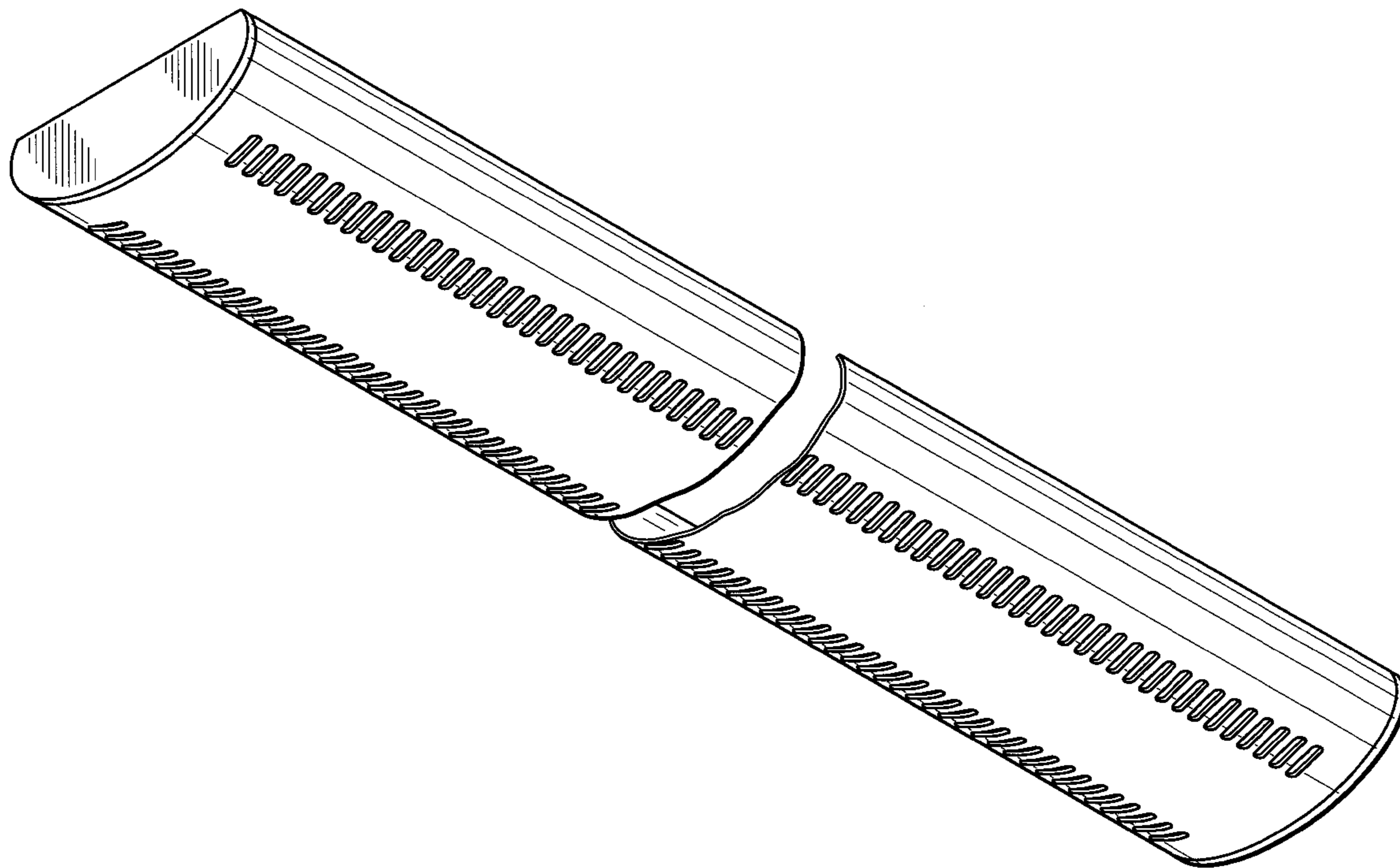
[57] CLAIM

The ornamental design for a direct-indirect luminaire housing, as shown and described.

DESCRIPTION

FIG. 1 is a broken away bottom perspective view of a direct-indirect luminaire housing in accordance with our new design;
FIG. 2 is a broken away bottom plan view thereof;
FIG. 3 is a broken away front elevational view thereof, the rear being a mirror image thereof; and,
FIG. 4 is a left side elevational view thereof, the right side being a mirror image thereof.
FIGS. 1-3 are broken away to indicate indeterminate length.

1 Claim, 2 Drawing Sheets



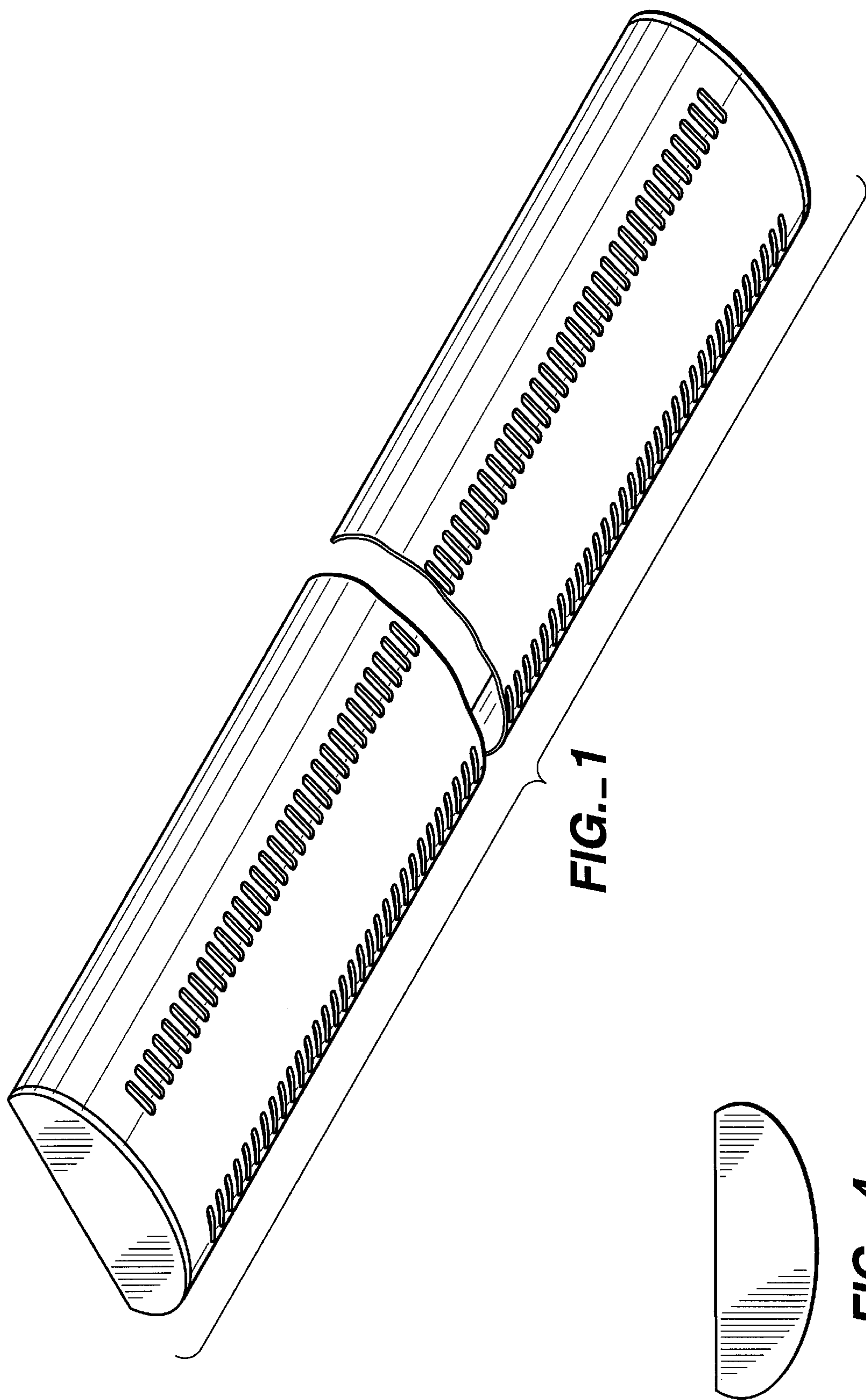


FIG.- 1

FIG.- 4

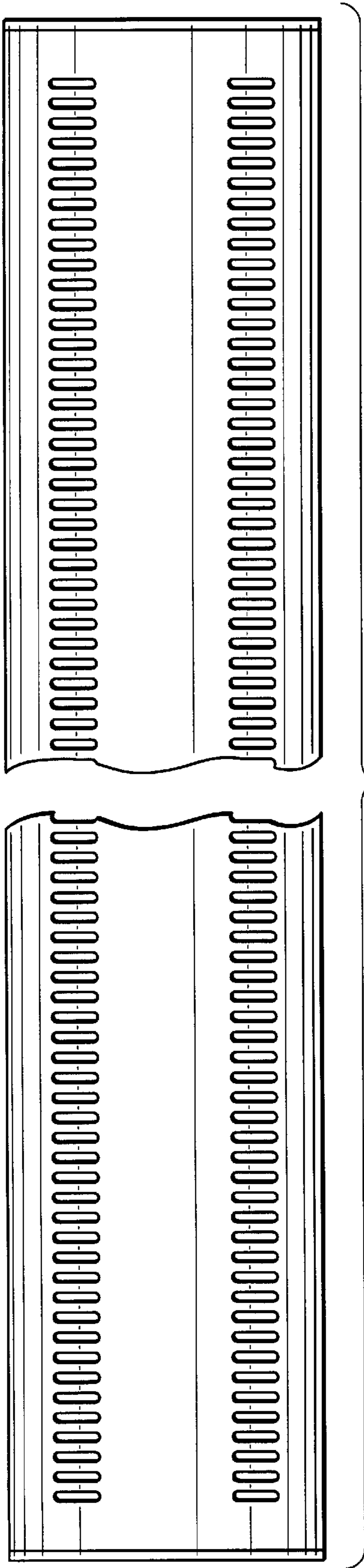


FIG. 2

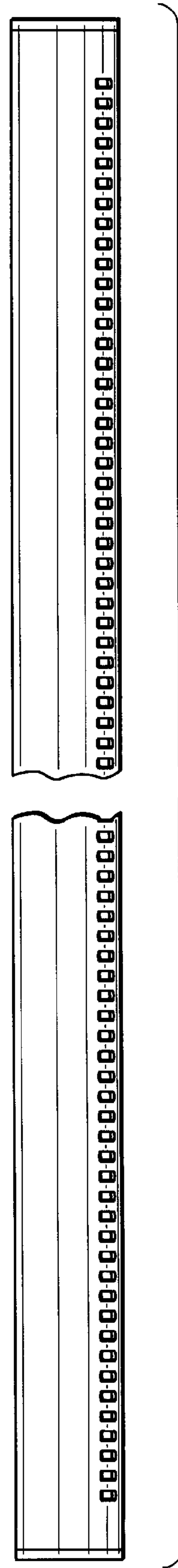


FIG. 3