

US00D404506S

United States Patent [19]
Lodhie

[11] **Patent Number: Des. 404,506**

[45] **Date of Patent: **Jan. 19, 1999**

[54] **BULB**
[75] Inventor: **Pervaiz Lodhie**, Ranchos Palos Verdes,
Calif.
[73] Assignee: **Ledtronics, Inc.**, Torrance, Calif.
[**] Term: **14 Years**
[21] Appl. No.: **86,159**
[22] Filed: **Apr. 7, 1998**
[51] **LOC (6) Cl.** **26-04**
[52] **U.S. Cl.** **D26/2**
[58] **Field of Search** D26/1, 2, 3; 313/113,
313/315, 317, 318, 578, 579

D. 385,051 10/1997 Wu D26/2
D. 392,057 3/1998 Chen D26/2

Primary Examiner—Marcus A. Jackson
Attorney, Agent, or Firm—Blakely Sokoloff Taylor &
Zafman

[57] **CLAIM**

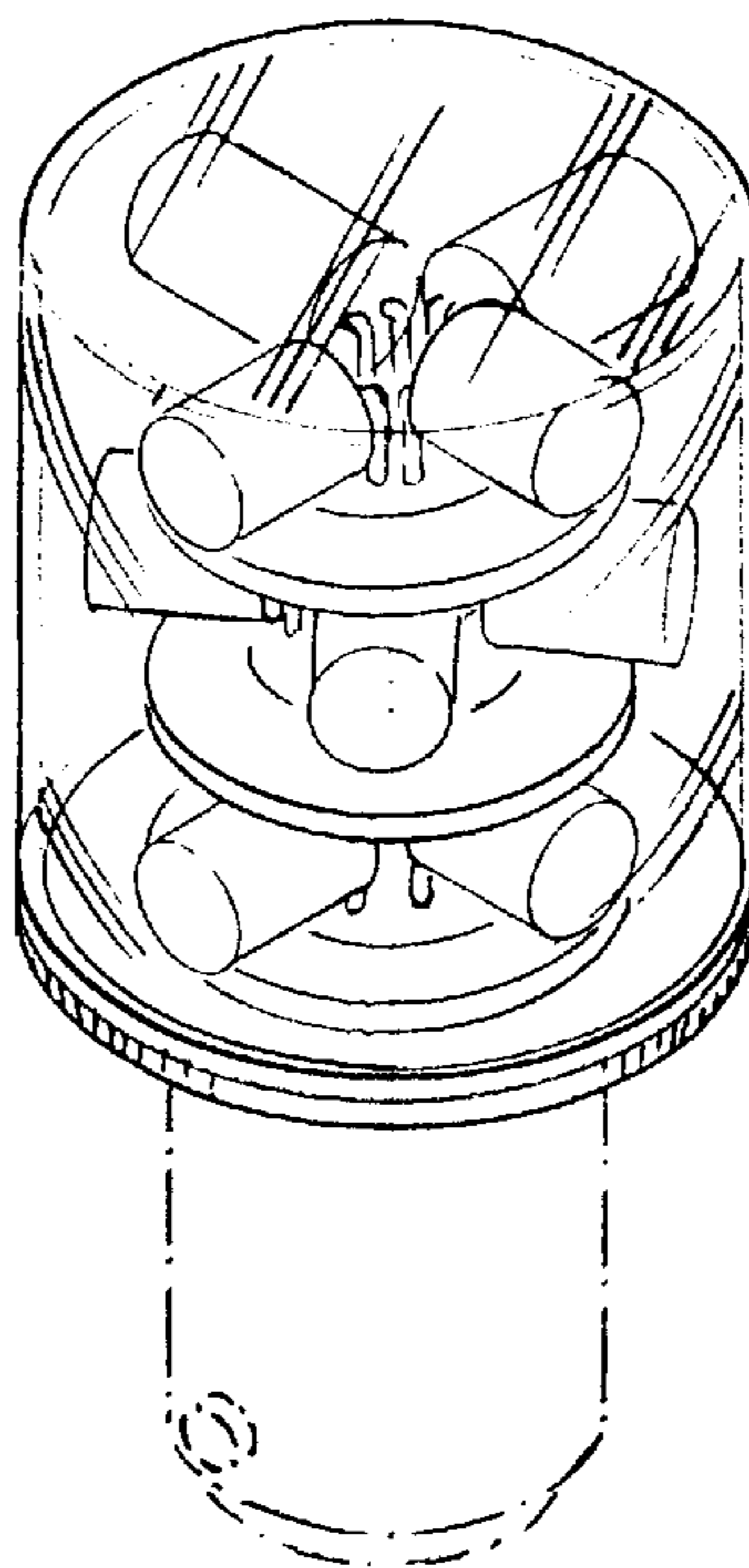
The ornamental design for a bulb, as shown and described.

DESCRIPTION

FIG. 1 is a front perspective view of the design, the portion shown in shadow lines not forming part of the design; FIG. 2 is a side elevation view thereof; FIG. 3 is a top plan view thereof; FIG. 4 is a bottom plan view thereof; and, FIG. 5 is a front perspective view of an alternate embodiment thereof, the portion shown in shadow lines not forming part of the design.

[56] **References Cited**
U.S. PATENT DOCUMENTS
D. 202,705 11/1965 Morgan D26/2

1 Claim, 1 Drawing Sheet



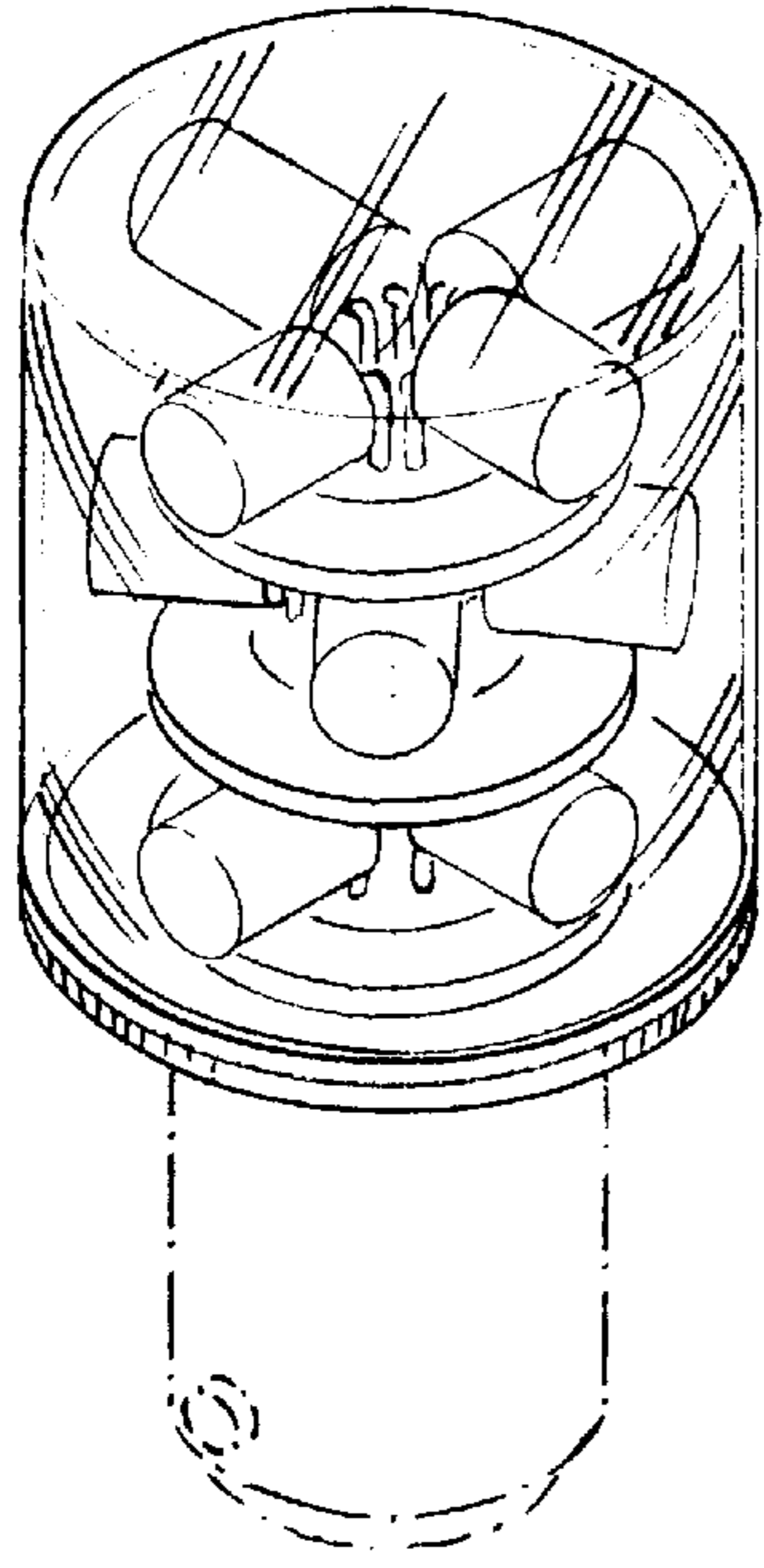


FIG. 1

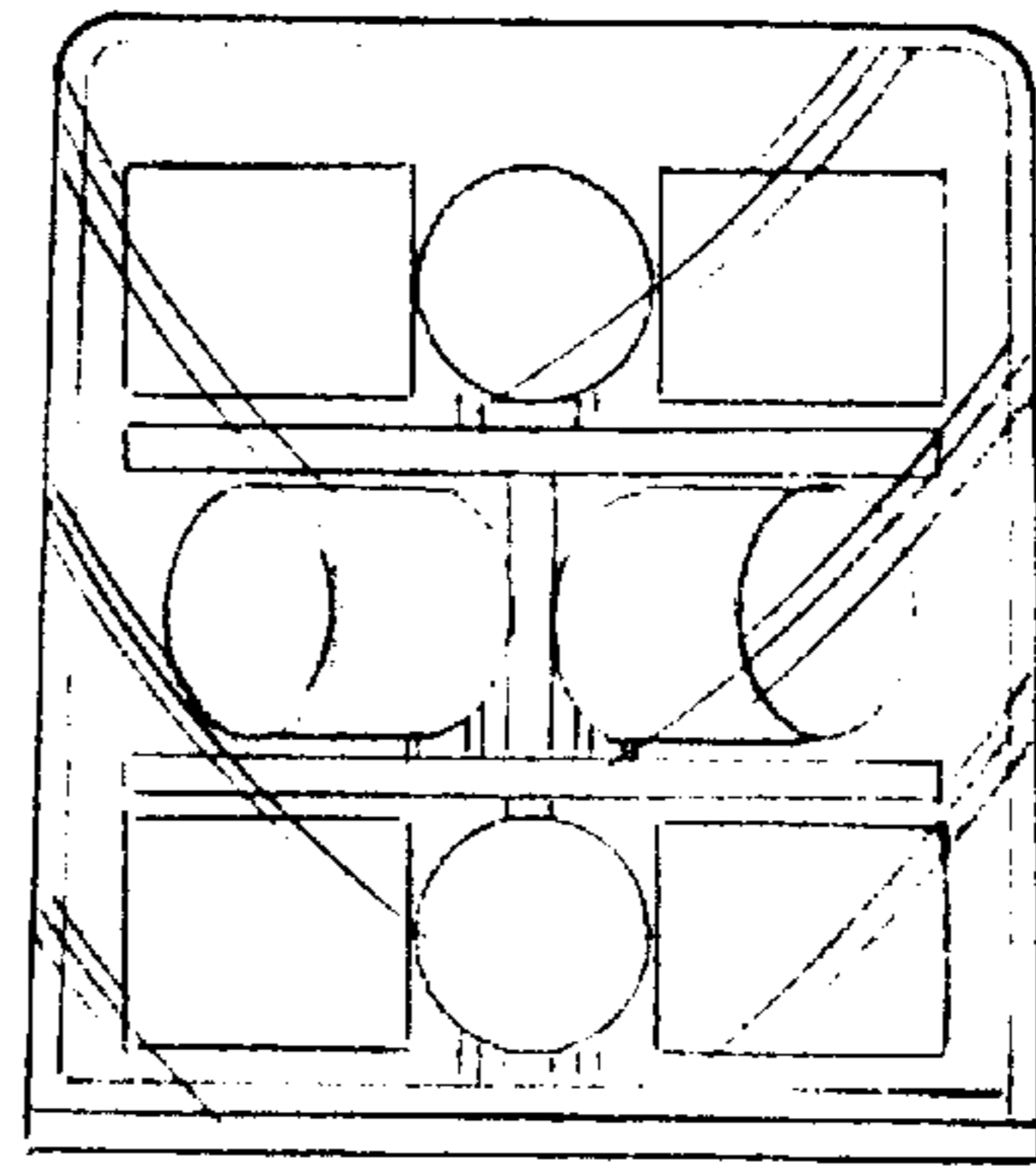


FIG. 2

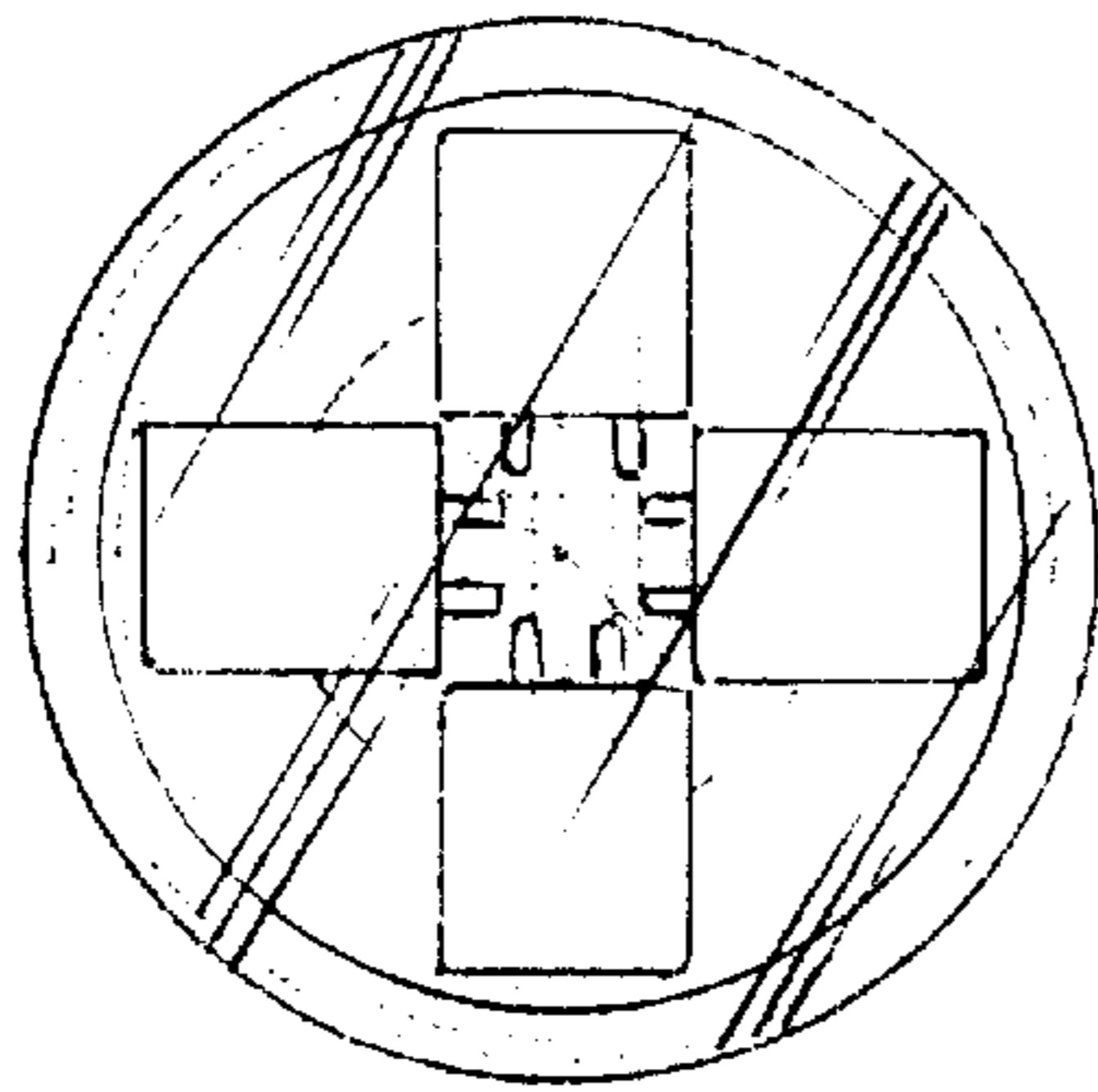


FIG. 3

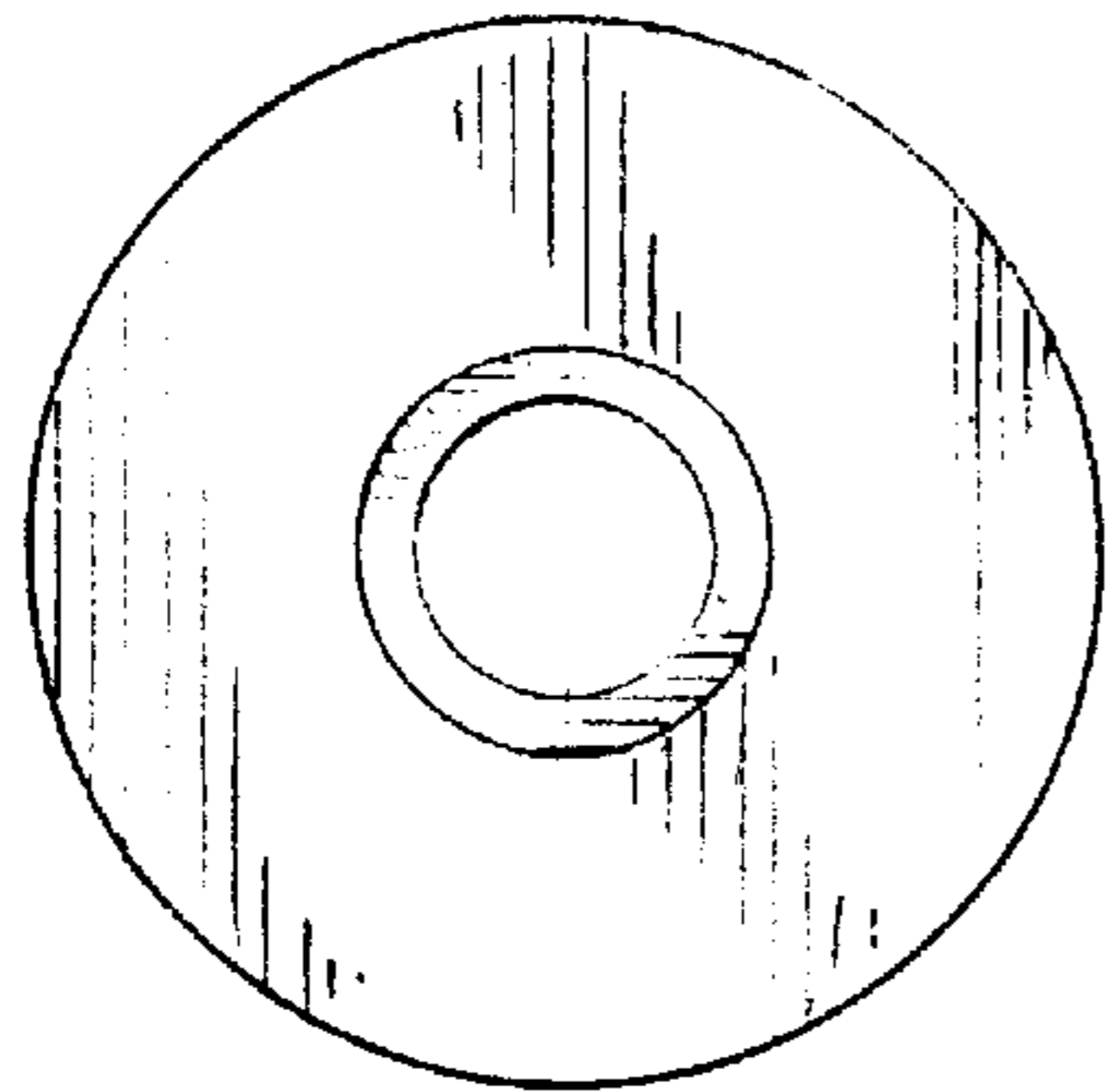


FIG. 4

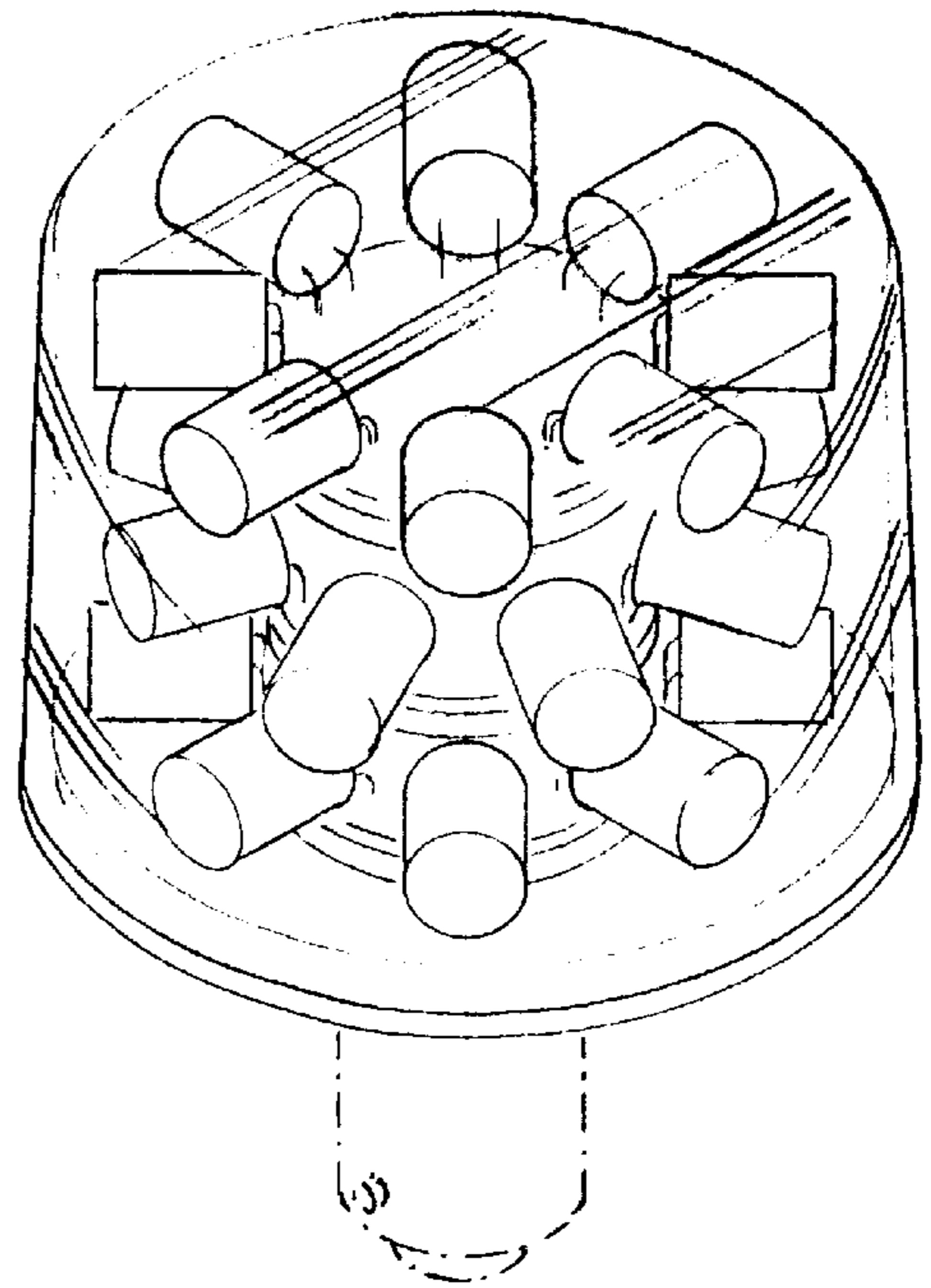


FIG. 5