



US00D404505S

**United States Patent** [19]  
**Welsch**

[11] **Patent Number: Des. 404,505**

[45] **Date of Patent: \*\*Jan. 19, 1999**

[54] **SITE SELECT POST**

[75] Inventor: **John H. Welsch**, Moscow, Pa.

[73] Assignee: **Metro Industries, Inc.**, Reno, Nev.

[\*\*] Term: **14 Years**

[21] Appl. No.: **76,053**

[22] Filed: **Sep. 5, 1997**

[51] **LOC (6) Cl.** ..... **25-01**

[52] **U.S. Cl.** ..... **D25/126**

[58] **Field of Search** ..... D25/126; 256/22;  
52/736.1, 720.1, 720.2, 721.1, 721.2

[56] **References Cited**

**U.S. PATENT DOCUMENTS**

600,372 3/1898 Nearn ..... 52/736.1  
3,531,900 10/1970 Vaughn ..... D25/126

*Primary Examiner*—Doris Clark  
*Attorney, Agent, or Firm*—Fitzpatrick, Cella, Harper & Scinto

[57] **CLAIM**

The ornamental design for a site select post, as shown and described.

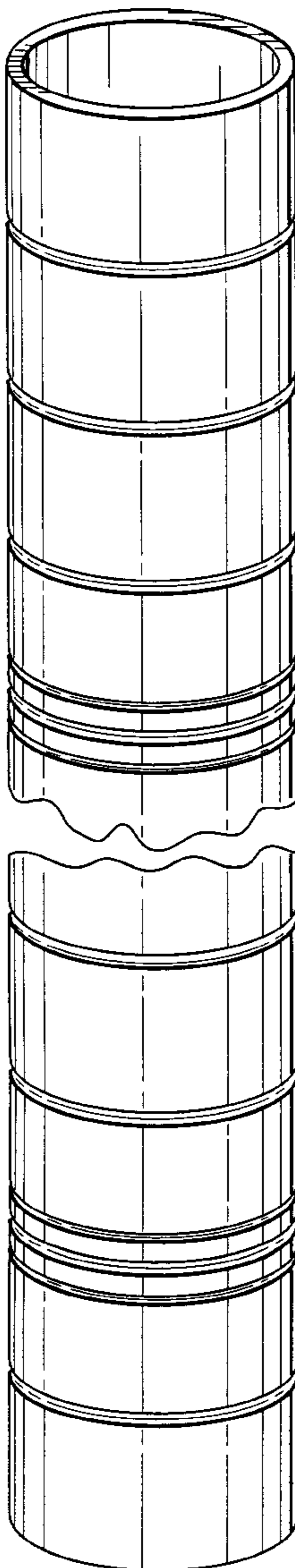
**DESCRIPTION**

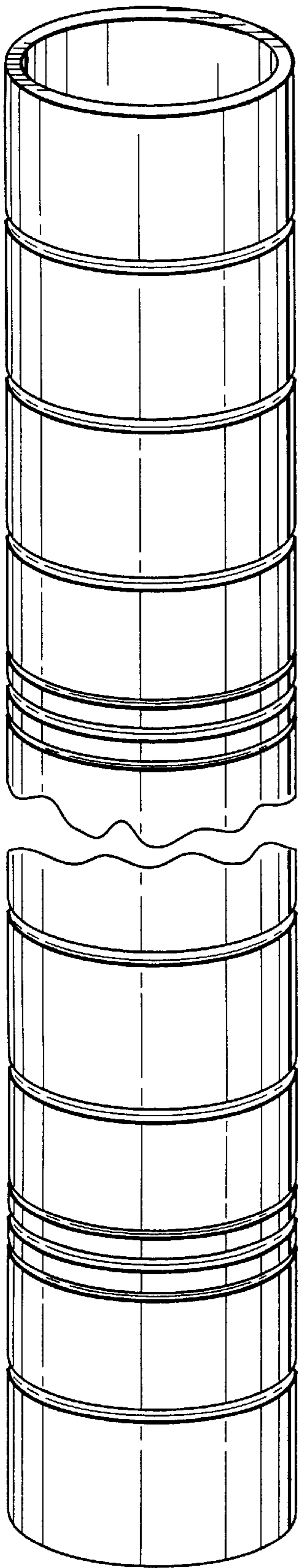
FIG. 1 is a perspective view of a site select post in accordance with the present invention the site select post is broken in the center for ease of illustration;

FIG. 2 is a top plan view of the post shown in FIG. 1, with the bottom plan view being an image thereof; and,

FIG. 3 is a fragmentary side elevational view of the central portion of the post that is not illustrated in FIG. 1, with all other side elevational views being the same.

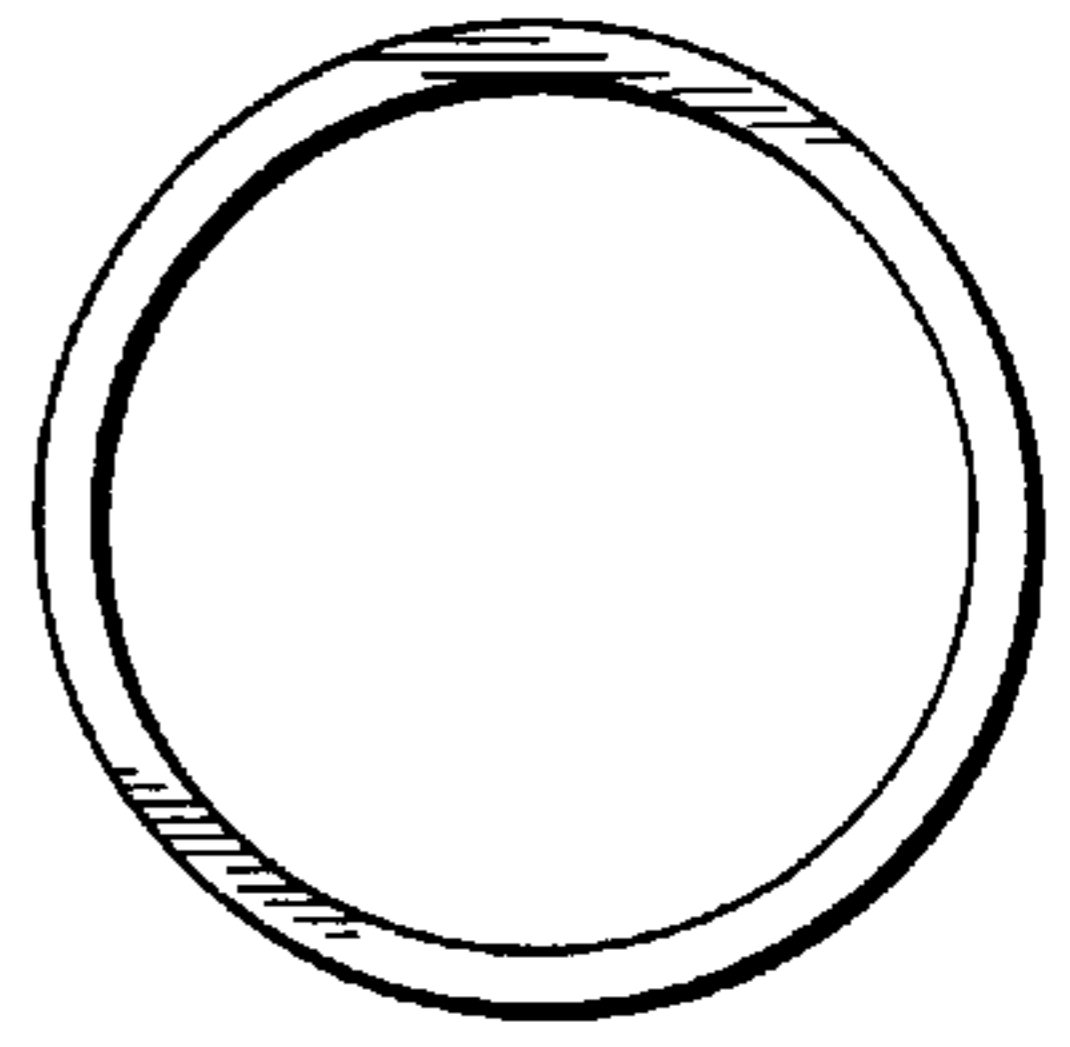
**1 Claim, 1 Drawing Sheet**



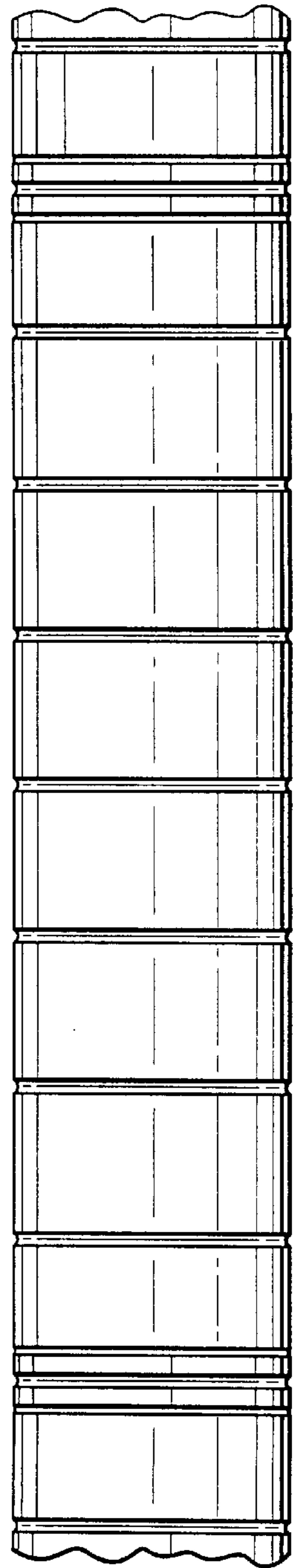


**FIG. 1**

**FIG. 2**



**FIG. 3**



UNITED STATES PATENT AND TRADEMARK OFFICE  
**CERTIFICATE OF CORRECTION**

PATENT NO. : Des. 404,505

DATED : January 19, 1999

INVENTOR(S) : JOHN H. WELSCH

It is certified that error appears in the above-identified patent and that said Letters Patent is hereby corrected as shown below:

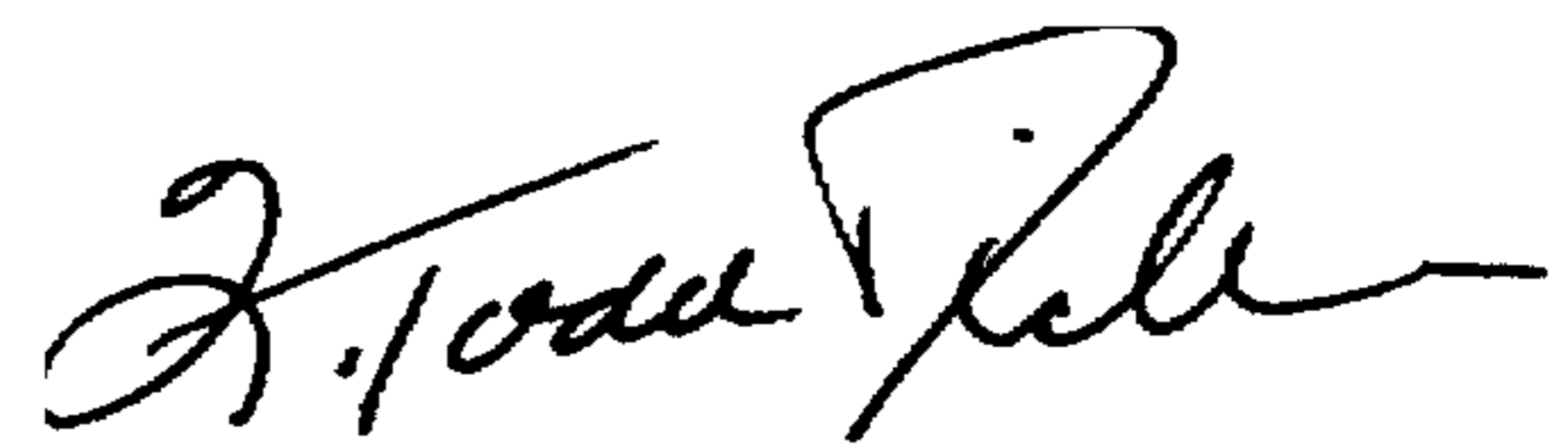
On the title page,

[57] DESCRIPTION:

Line 2, "invention the" should read --invention, the--.

Signed and Sealed this  
Sixth Day of July, 1999

Attest:



Q. TODD DICKINSON

Attesting Officer

Acting Commissioner of Patents and Trademarks