



US00D404503S

United States Patent [19]

[11] **Patent Number: Des. 404,503**

Bell et al.

[45] **Date of Patent: **Jan. 19, 1999**

[54] **CADDY TOP**

FOREIGN PATENT DOCUMENTS

[75] Inventors: **Randall Bell**, River Forest; **Walter Herbst**, Lake Forest, both of Ill.; **Eric C. Horne**; **Edward E. Heald**, both of Greenville, Pa.

2093516 2/1982 United Kingdom .
2192025 12/1987 United Kingdom .

[73] Assignee: **Werner Co.**, Greenville, Pa.

OTHER PUBLICATIONS

[**] Term: **14 Years**

[21] Appl. No.: **71,635**

Cosco brochure, ladder model number 11-740 "Tri Step Work Platform" (1995).

[22] Filed: **Jun. 5, 1997**

Cosco brochure, ladder model number 11-780 "Pro Step" (1995).

[51] **LOC (6) Cl. 25-04**

Cosco brochure, "Pro Fold" ladder (1995).

[52] **U.S. Cl. D25/68**

Cosco brochure, ladder model number 11-725 (1995).

[58] **Field of Search D25/68; 248/238, 248/210**

Cosco brochure, ladder models 11-300 and 11-307 (1995).

Cosco brochure, ladder models 11-135 and 11-302 (1995).

U.S. Design Patent Application No. 29/048,682.

Primary Examiner—Doris Clark

Attorney, Agent, or Firm—Howrey & Simon

[56] **References Cited**

[57] **CLAIM**

U.S. PATENT DOCUMENTS

The ornamental design for a caddy top, as shown and described.

D. 372,990	8/1996	Sweeney	D25/68
4,205,411	6/1980	Cupp et al. .	
4,222,541	9/1980	Cillis	248/210
4,276,955	7/1981	Hickman .	
4,485,892	12/1984	Maloney et al. .	
4,653,713	3/1987	Hamilton .	
4,706,918	11/1987	Wilson .	
4,730,802	3/1988	Chatham et al. .	
4,979,590	12/1990	Bailey .	
5,191,954	3/1993	Ledford	248/210
5,370,263	12/1994	Brown .	
5,421,429	6/1995	Evans .	
5,542,535	8/1996	Dalton .	
5,542,553	8/1996	Penniman .	

DESCRIPTION

FIG. 1 is a perspective view of the invention;

FIG. 2 is a front view thereof;

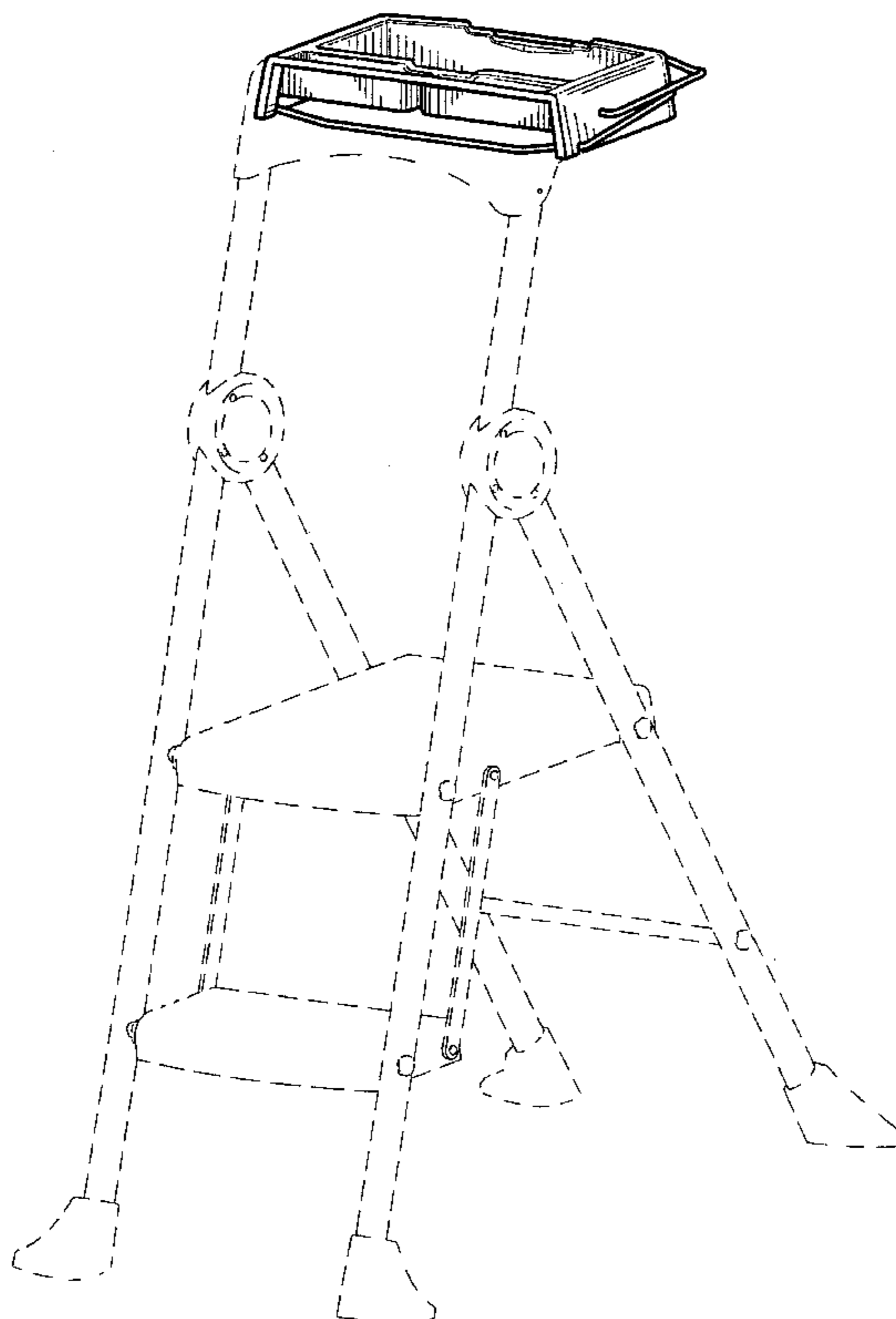
FIG. 3 is a rear view thereof;

FIG. 4 is a left side view thereof, being the mirror of the right side view; and,

FIG. 5 is a top view thereof.

The features illustrated in broken lines do not form a part of the design sought to be patented and are set forth only to show the environment in which the design is used.

1 Claim, 5 Drawing Sheets



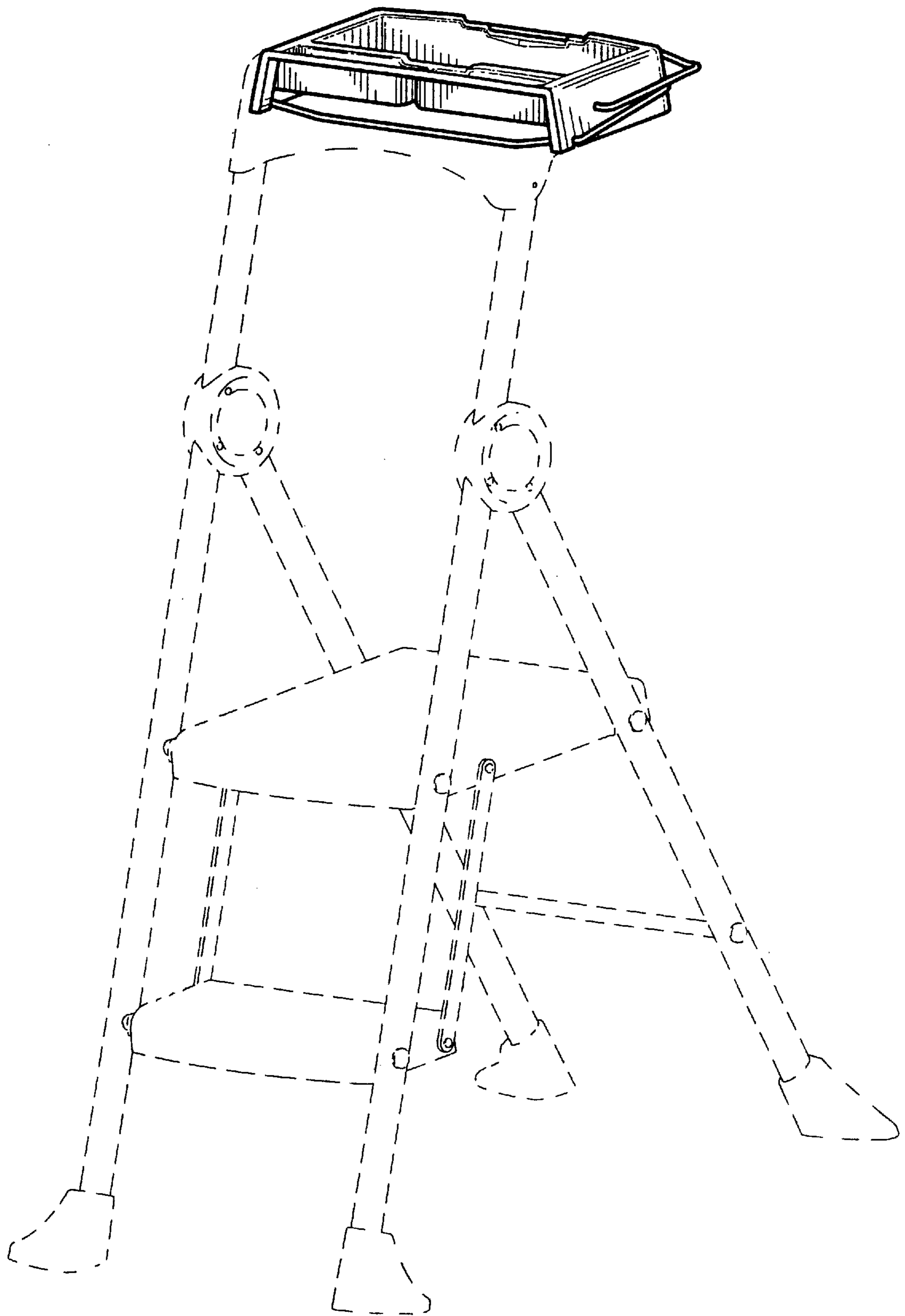


FIG. 1

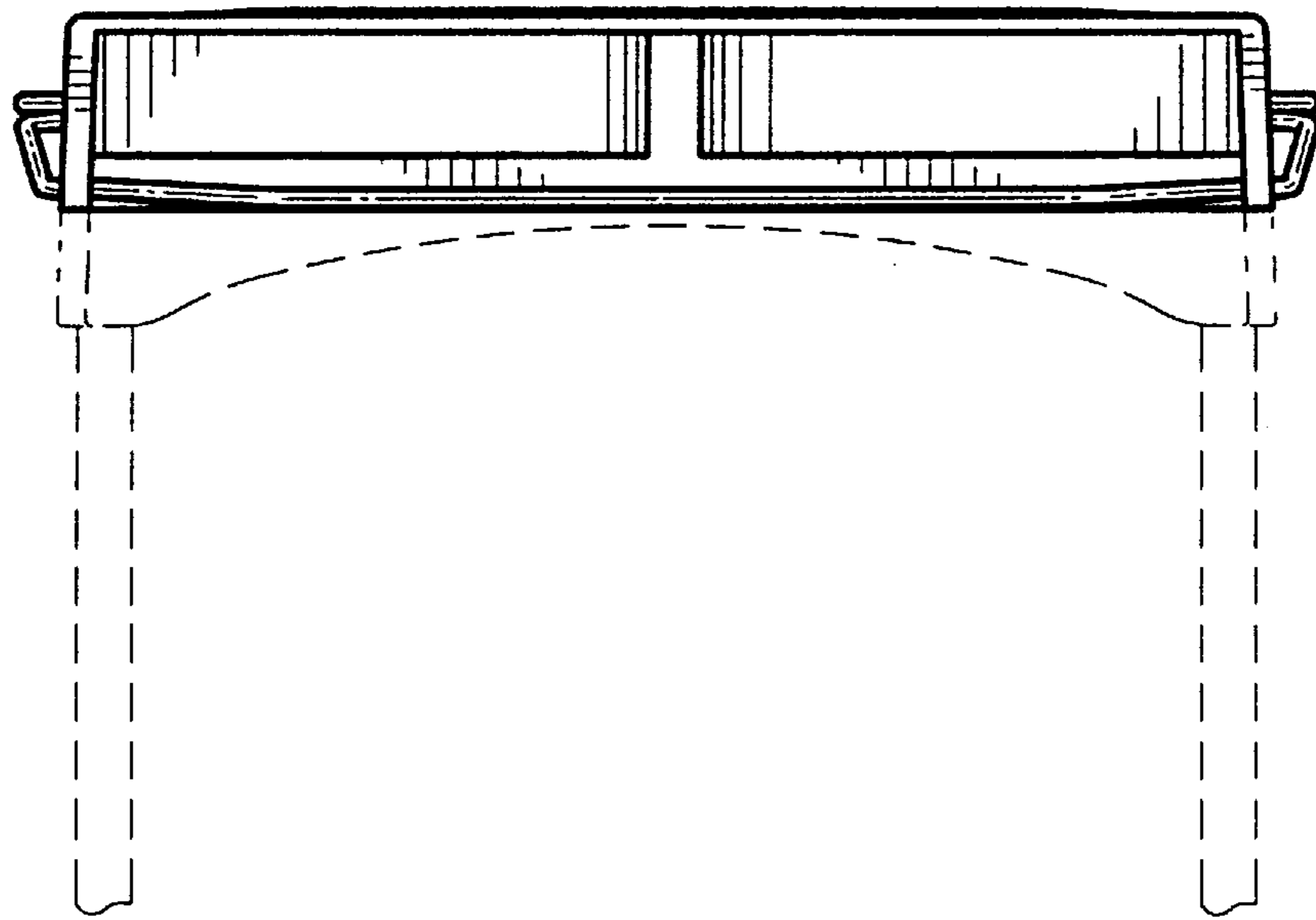


FIG.2

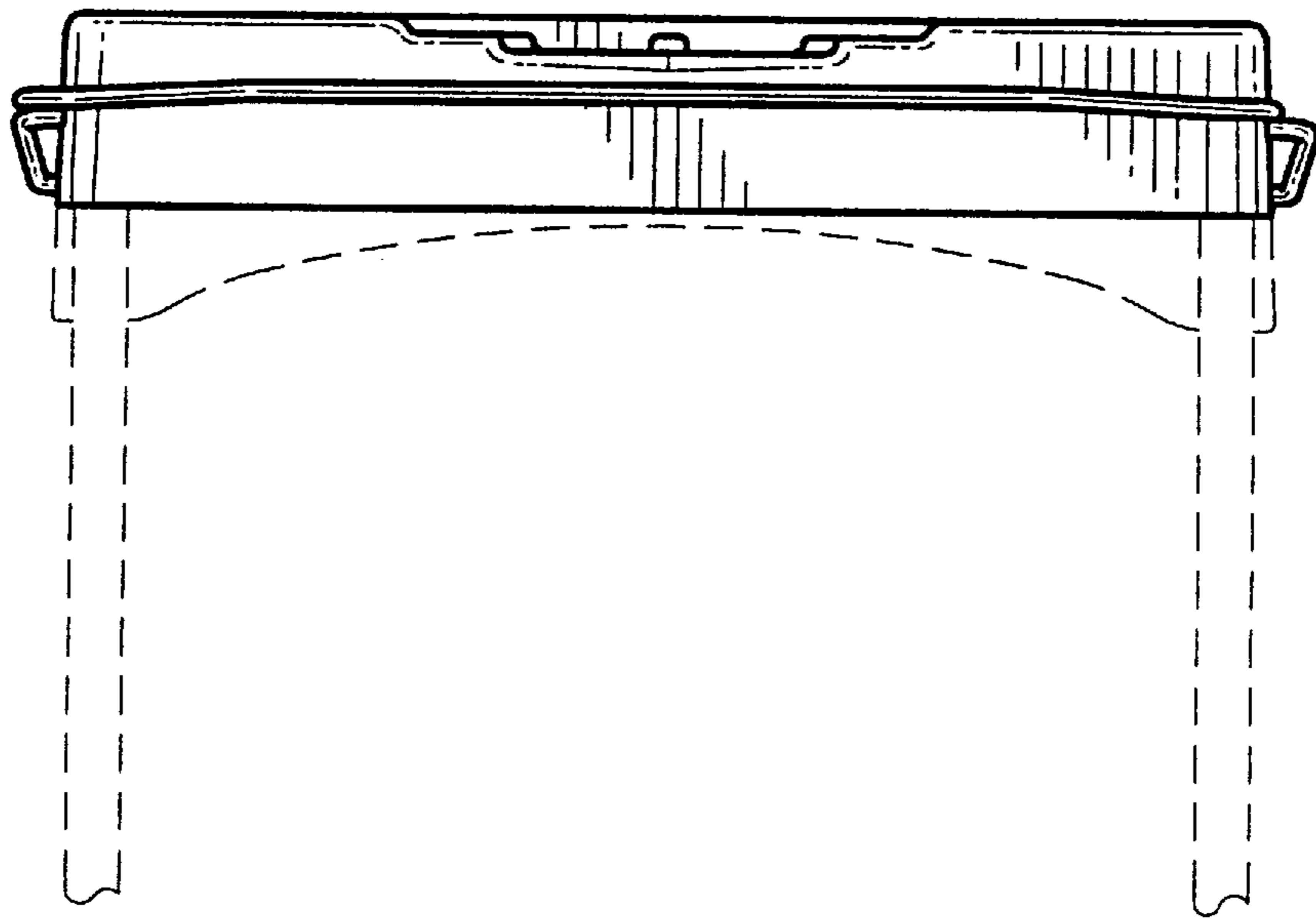


FIG.3

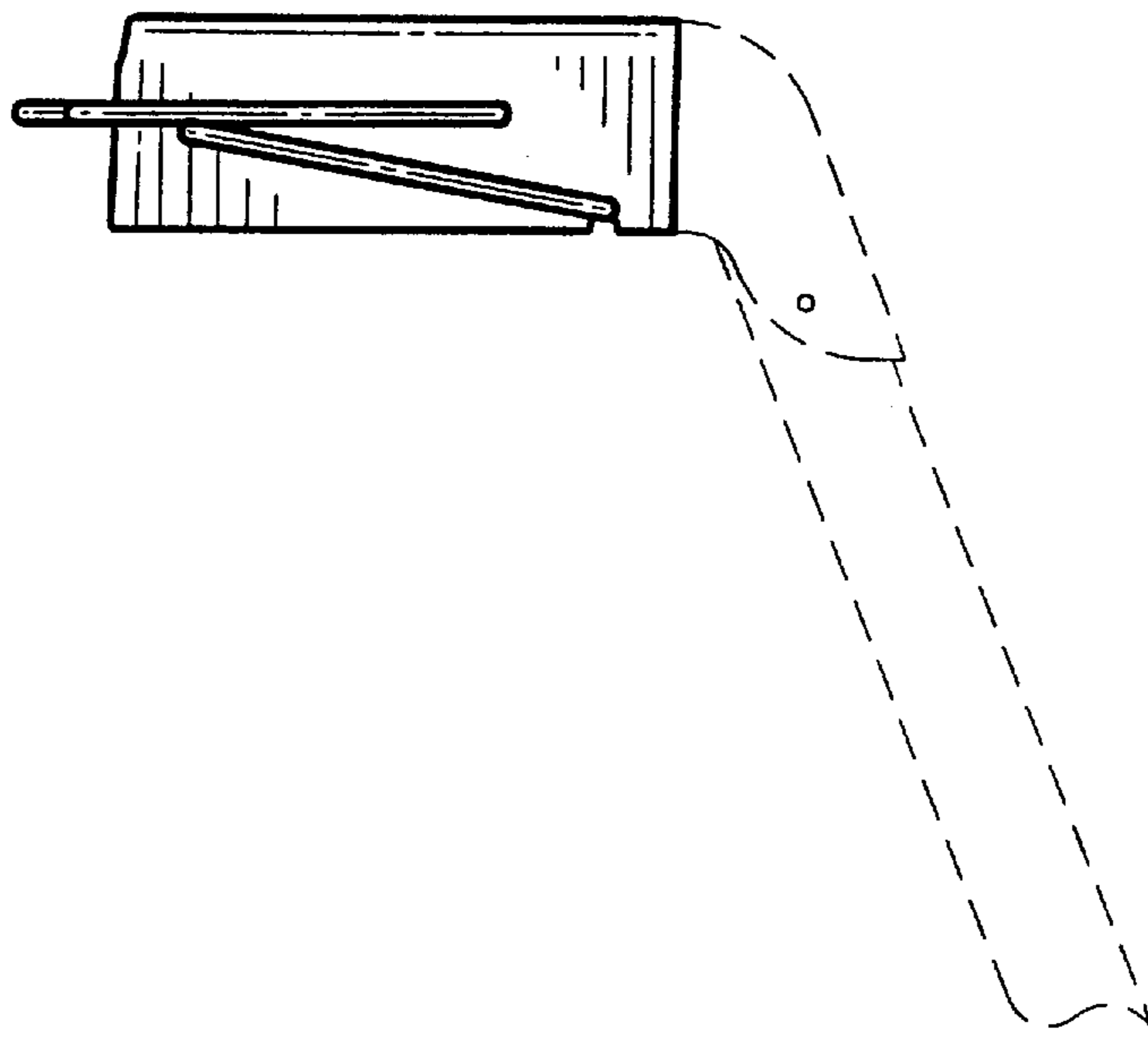


FIG.4

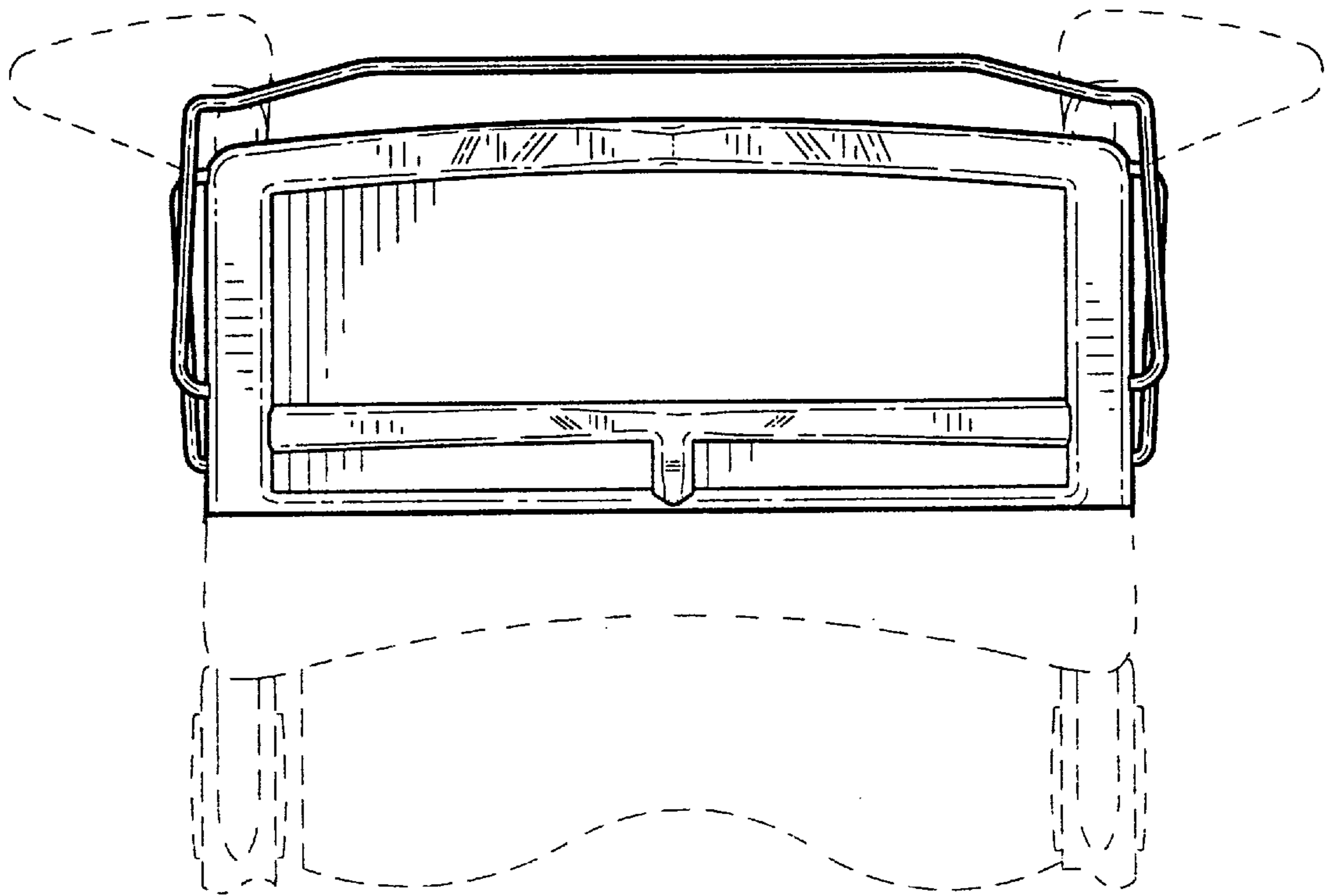


FIG.5