



US00D404497S

# United States Patent [19]

[11] Patent Number: **Des. 404,497**

**Lahm et al.**

[45] Date of Patent: **\*\*Jan. 19, 1999**

[54] **CELL INSERT ASSEMBLY**

[75] Inventors: **William J. Lahm**, Sumter, S.C.;  
**Timothy A. Stevens**, Warwick, N.Y.;  
**Alexander G. Tschumakow**,  
Sommerville; **Leon M. Wilkins**, North  
Andover, both of Mass.; **John M.**  
**Janson**, Piscataway, N.J.; **Stephen C.**  
**Conley**, North Attleboro, Mass.

4,871,674	10/1989	Matsui et al. ....	435/284
5,026,649	6/1991	Lyman et al. ....	435/284
5,139,951	8/1992	Butz et al. ....	435/284
5,215,920	6/1993	Lyman et al. ....	435/284
5,272,083	12/1993	Butz et al. ....	435/240.241
5,358,871	10/1994	Stevens et al. ....	435/284
5,366,893	11/1994	Stevens et al. ....	435/284
5,468,638	11/1995	Barker et al. ....	435/304.1
5,578,492	11/1996	Fedun .....	435/297.5

[73] Assignee: **Becton Dickinson and Company**,  
Franklin Lakes, N.J.

[\*\*] Term: **14 Years**

[21] Appl. No.: **44,623**

[22] Filed: **Sep. 27, 1995**

[51] **LOC (6) Cl.** ..... **24-01**

[52] **U.S. Cl.** ..... **D24/224**

[58] **Field of Search** ..... D24/224, 227;  
435/297.1, 289.1, 297.5, 305.2, 305.1, 304.1;  
422/101, 102

[56] **References Cited**

**U.S. PATENT DOCUMENTS**

D. 360,698	7/1995	Stevens et al. ....	D24/224
D. 377,984	2/1997	Lahm et al. ....	D24/224
4,407,943	10/1983	Cole et al. ....	435/7
4,686,190	8/1987	Cramer et al. ....	435/291
4,789,601	12/1988	Banes .....	435/305.2 X

**FOREIGN PATENT DOCUMENTS**

0 401 660A1 12/1990 European Pat. Off. .

*Primary Examiner*—Stella Reid

*Attorney, Agent, or Firm*—Bruce S. Weintraub

[57] **CLAIM**

The ornamental design for a cell insert assembly, as shown and described.

**DESCRIPTION**

FIG. 1 is a top and front perspective view of the cell insert assembly;

FIG. 2 is a top plan view thereof;

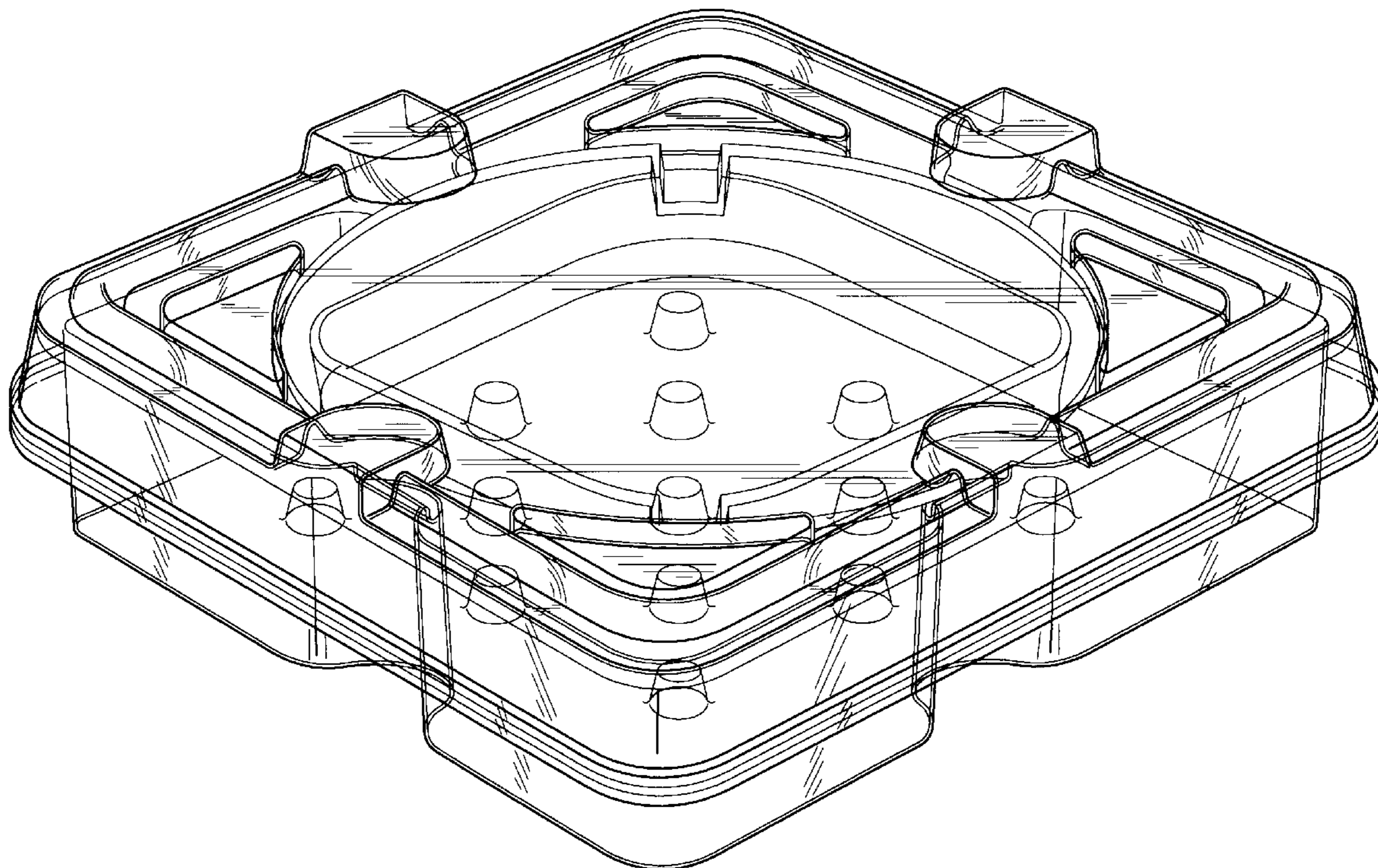
FIG. 3 is a front elevational view thereof, the rear elevational view being identical;

FIG. 4 is a side elevational view thereof, the opposite side elevational view being identical;

FIG. 5 is a bottom plan view thereof; and,

FIG. 6 is a top and front perspective view of the unassembled cell insert assembly.

**1 Claim, 6 Drawing Sheets**



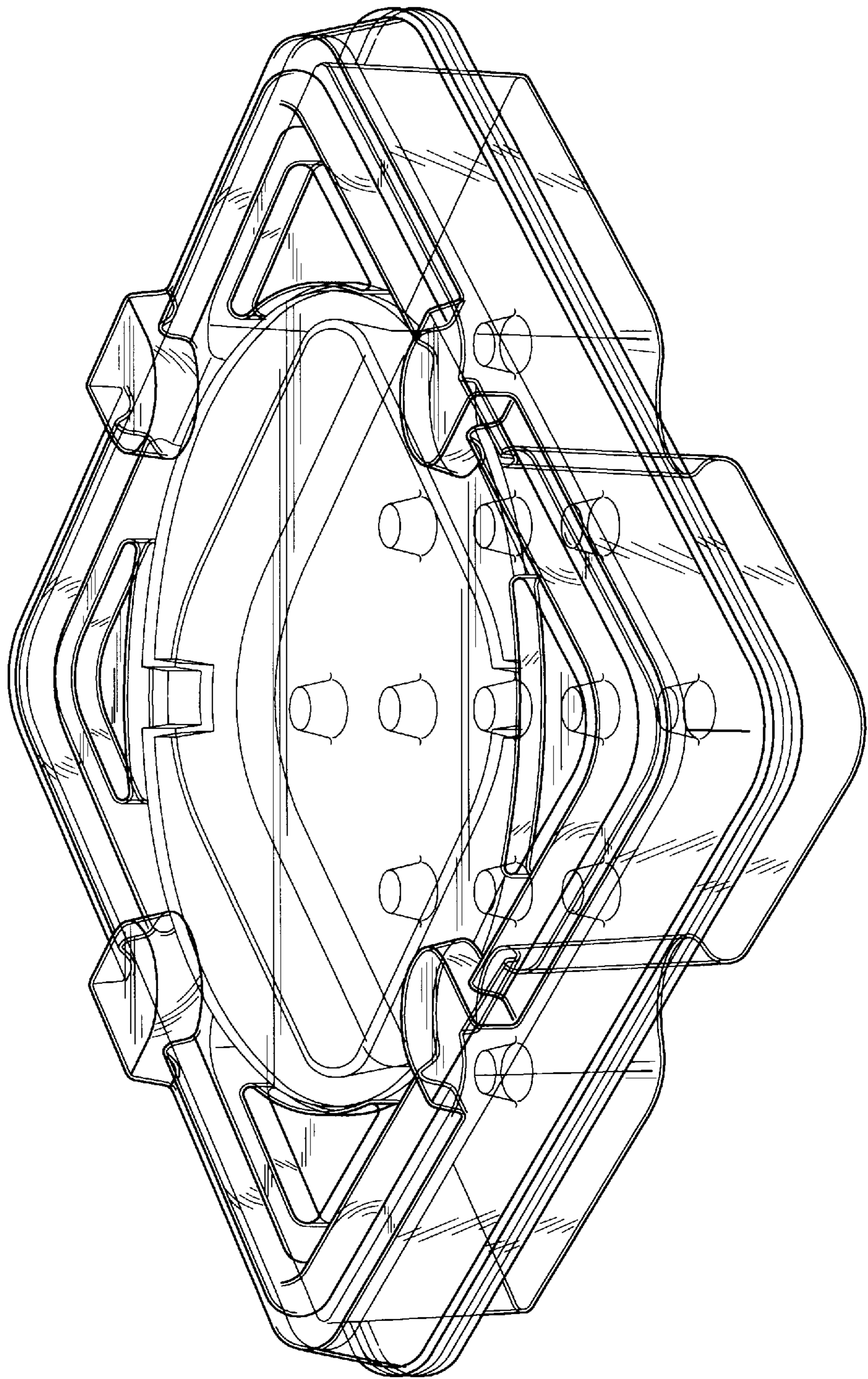


FIG-1

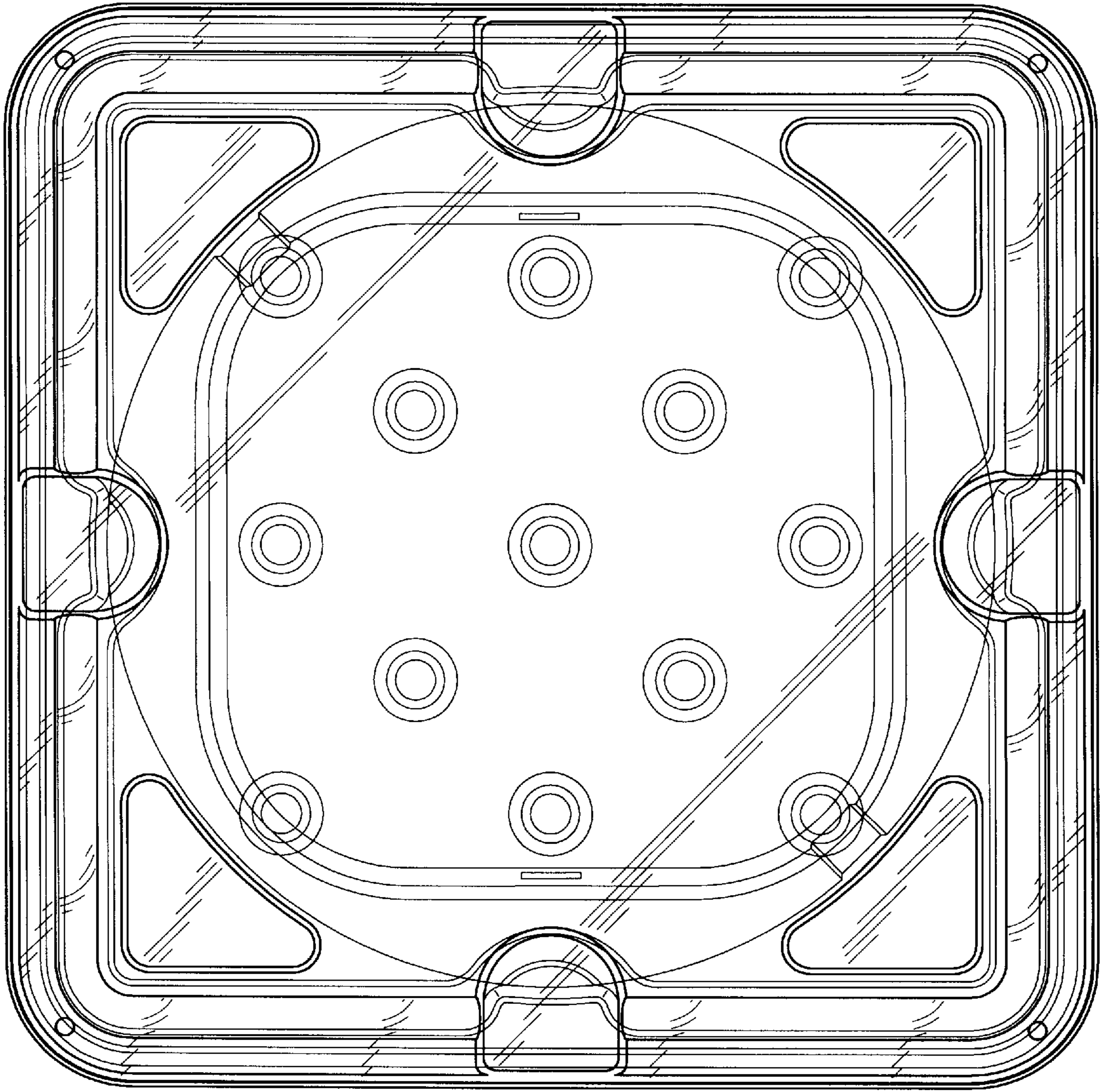


FIG-2

FIG-3

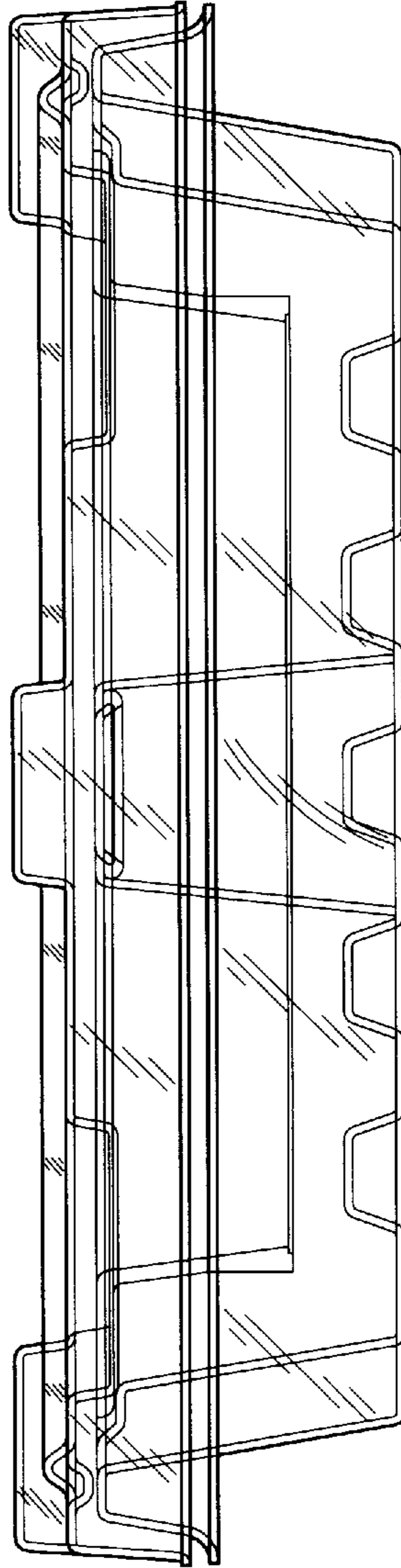
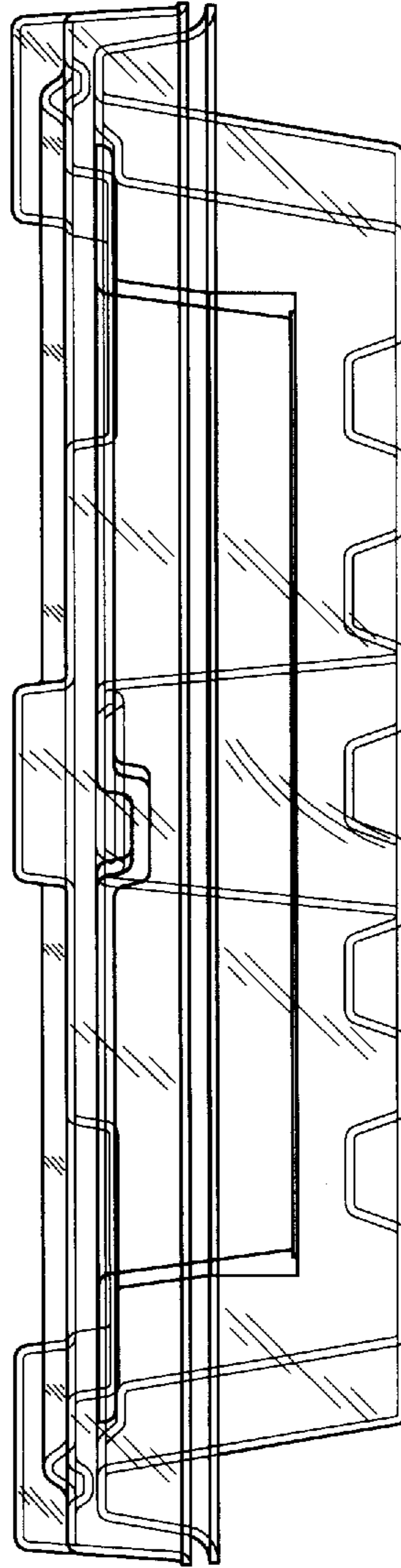


FIG-4



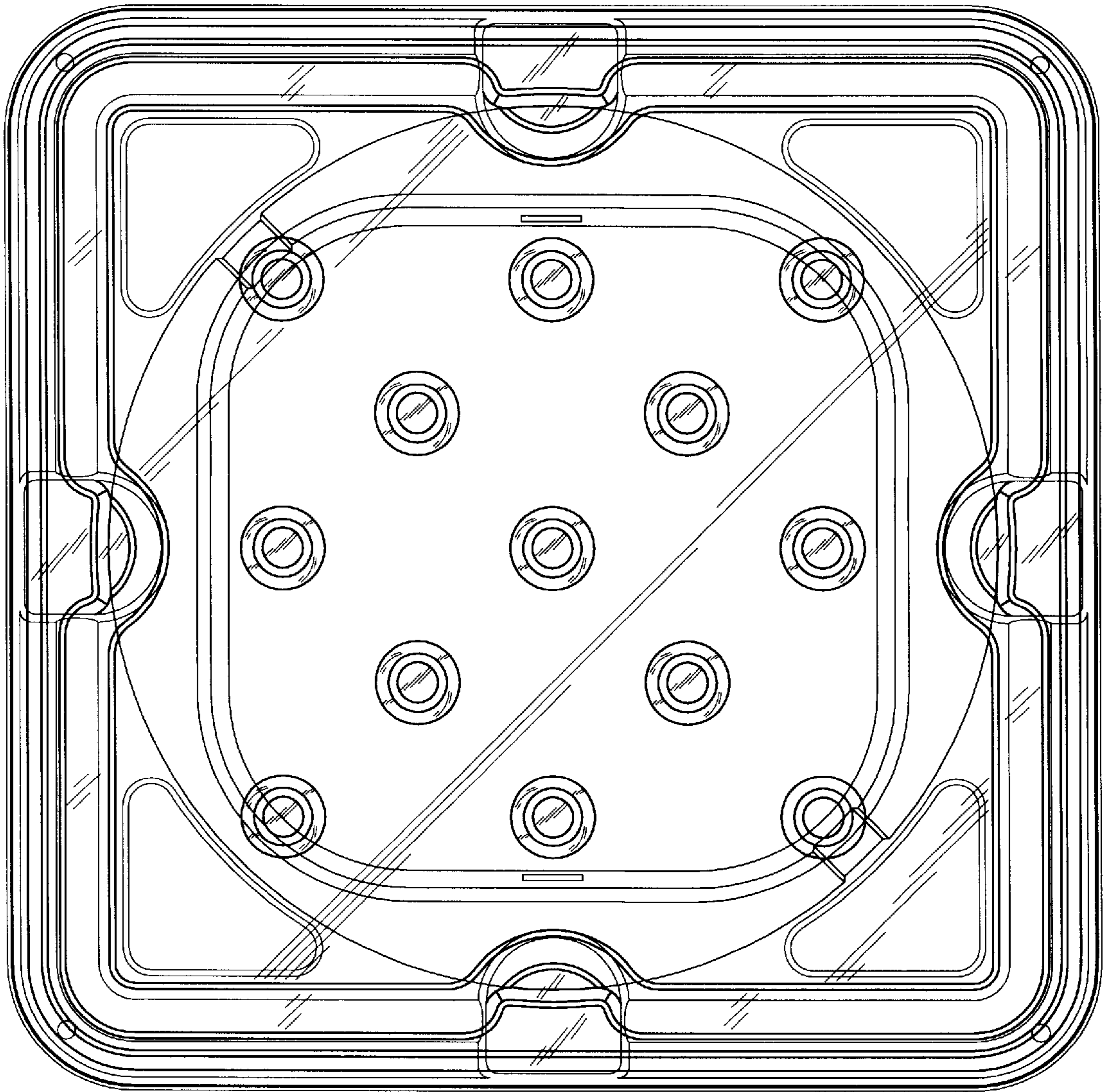


FIG-5

FIG-6

