



US00D404496S

# United States Patent [19]

Tudico

[11] **Patent Number: Des. 404,496**

[45] **Date of Patent: \*\*Jan. 19, 1999**

[54] **MASSAGER FOR THE HUMAN BODY**

[75] Inventor: **Gianfranco Tudico**, Bourg les Valence, France

[73] Assignee: **LPG Systems**, France

[\*\*] Term: **14 Years**

[21] Appl. No.: **76,762**

[22] Filed: **Sep. 22, 1997**

[30] **Foreign Application Priority Data**

Mar. 20, 1997 [XH] Hague Agreement ..... DM/039 590

[51] **LOC (6) Cl.** ..... **24-04**

[52] **U.S. Cl.** ..... **D24/215; D24/200**

[58] **Field of Search** ..... D24/215, 200; 601/72, 71, 73, 7, 123

[56] **References Cited**

**U.S. PATENT DOCUMENTS**

D. 188,269 6/1960 Sundberg ..... D24/200

D. 195,537	6/1963	Kendall .....	D24/200
4,098,266	7/1978	Muchisky .....	601/71
4,224,932	9/1980	Farb .....	601/72
4,729,368	3/1988	Guitay .....	601/123
4,757,806	7/1988	Muchisky et al. ....	601/71
4,883,047	11/1989	Guitay .....	601/7

*Primary Examiner*—Stella Reid  
*Attorney, Agent, or Firm*—Parkhurst & Wendel

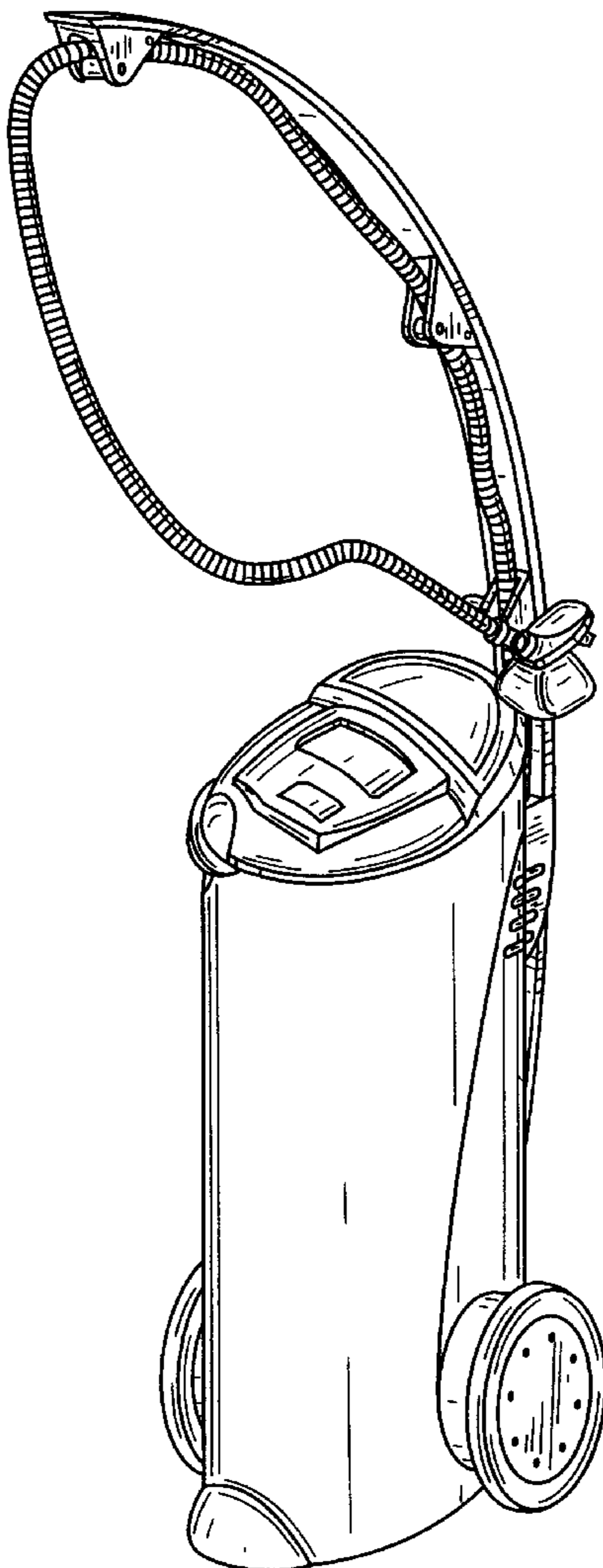
[57] **CLAIM**

The ornamental design for a massager for the human body, as shown and described.

**DESCRIPTION**

FIG. 1 is a perspective view of a massager for the human body showing my new design; FIG. 2 is a right view thereof; FIG. 3 is a left view thereof; FIG. 4 is a front view thereof; FIG. 5 is a rear view thereof; FIG. 6 is a top view thereof; and, FIG. 7 is a bottom view thereof.

**1 Claim, 5 Drawing Sheets**



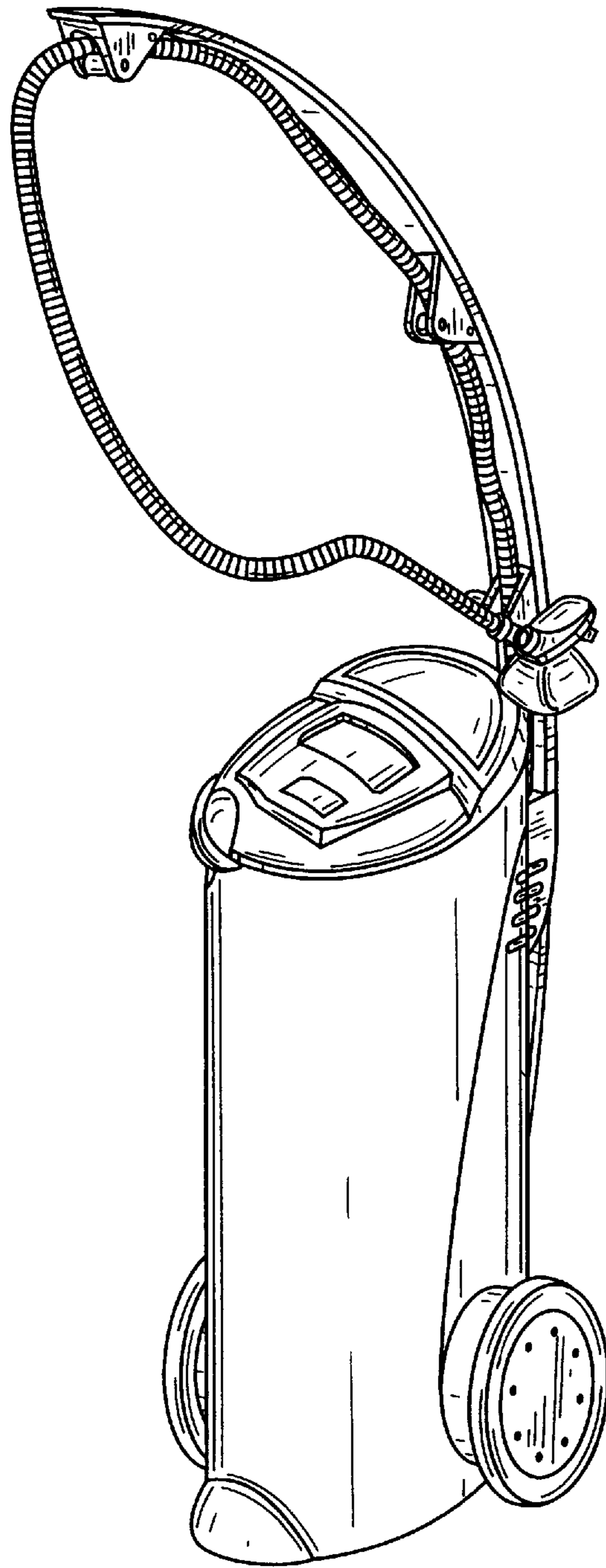


FIG. 1

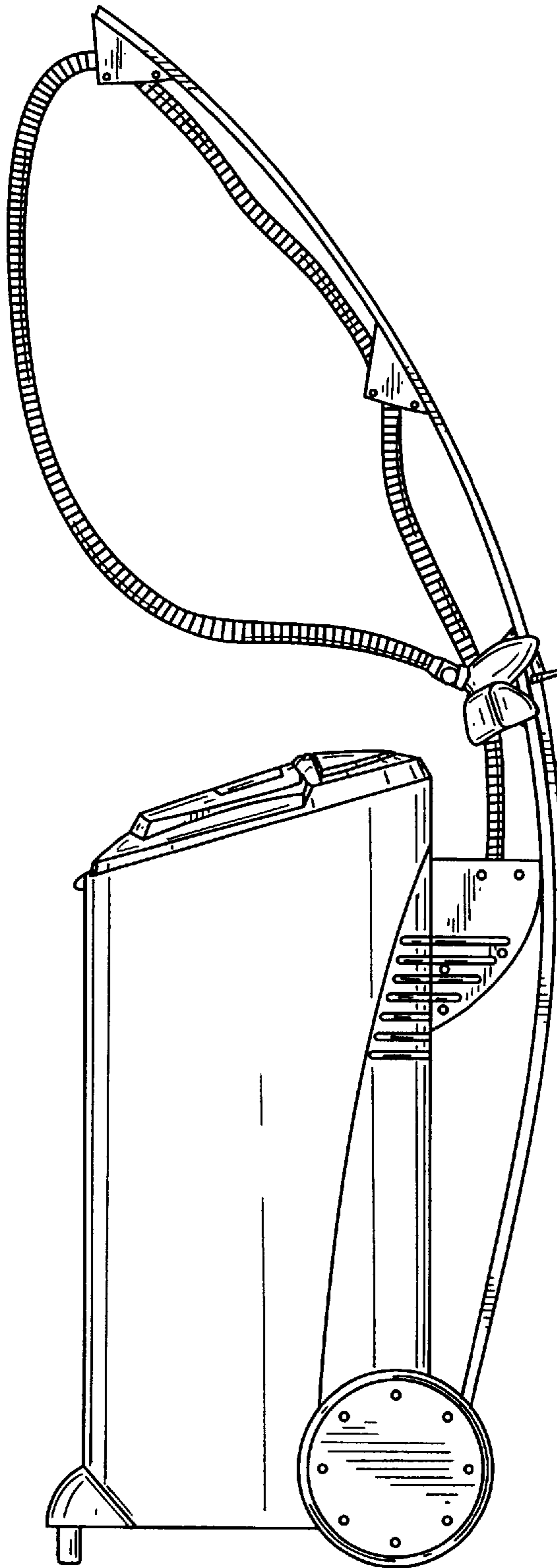


FIG. 2

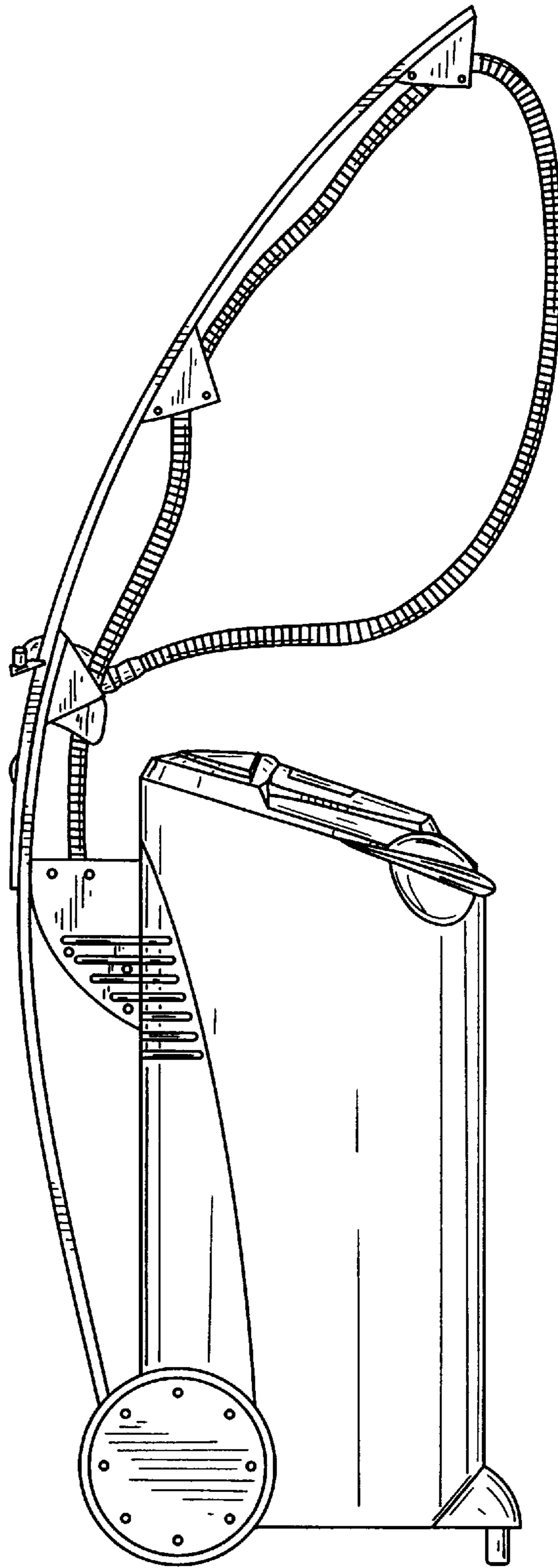


FIG. 3

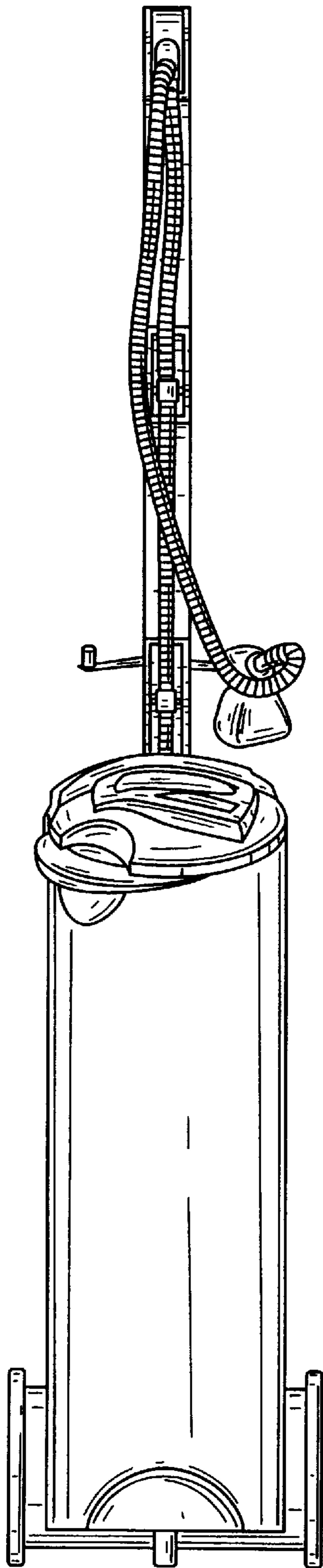


FIG. 4

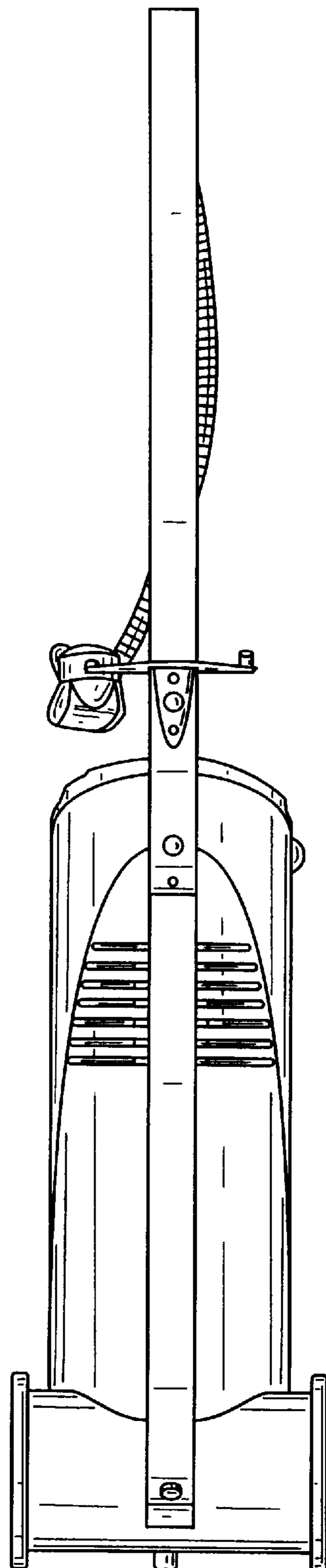


FIG. 5

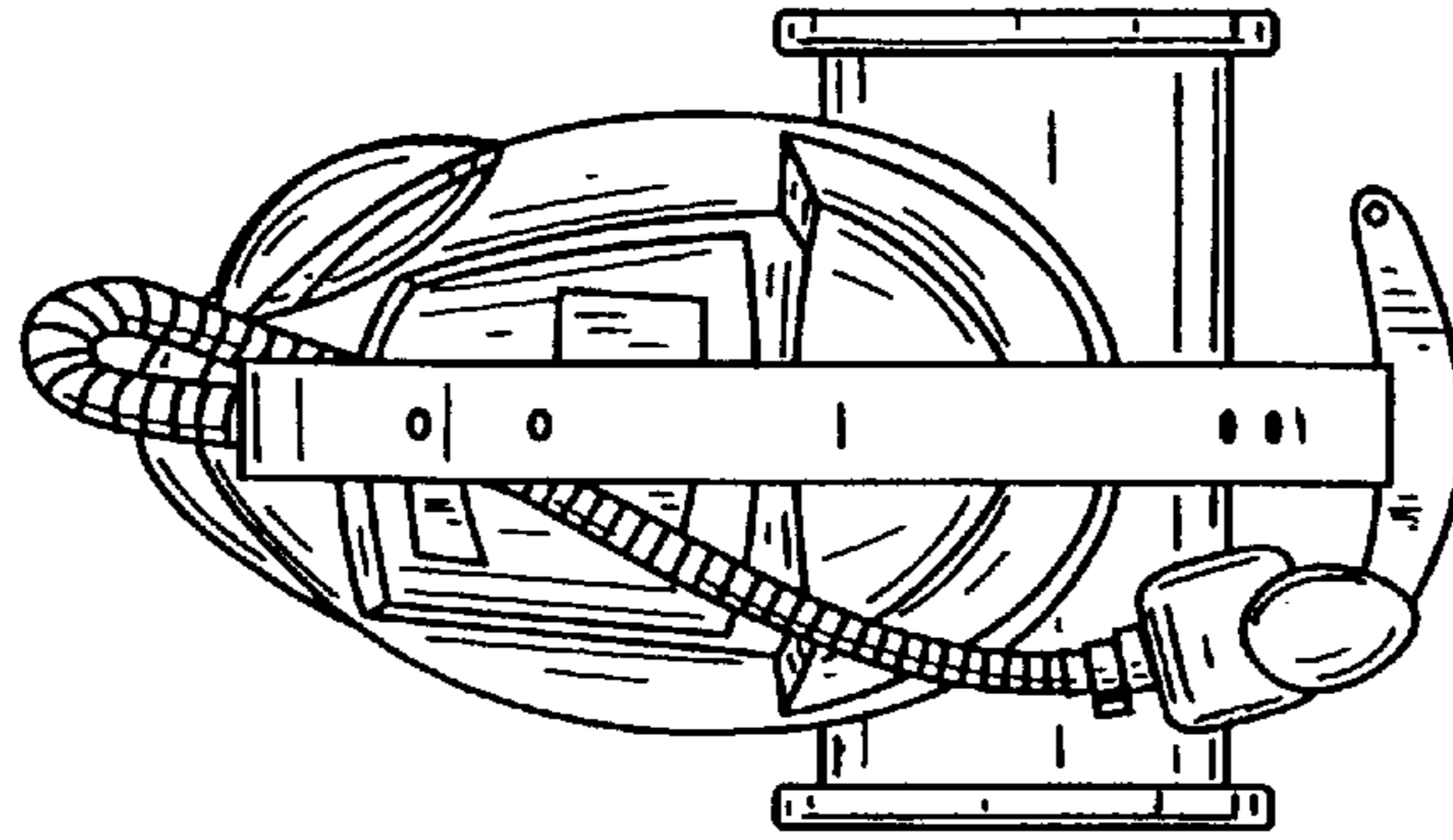


FIG. 6

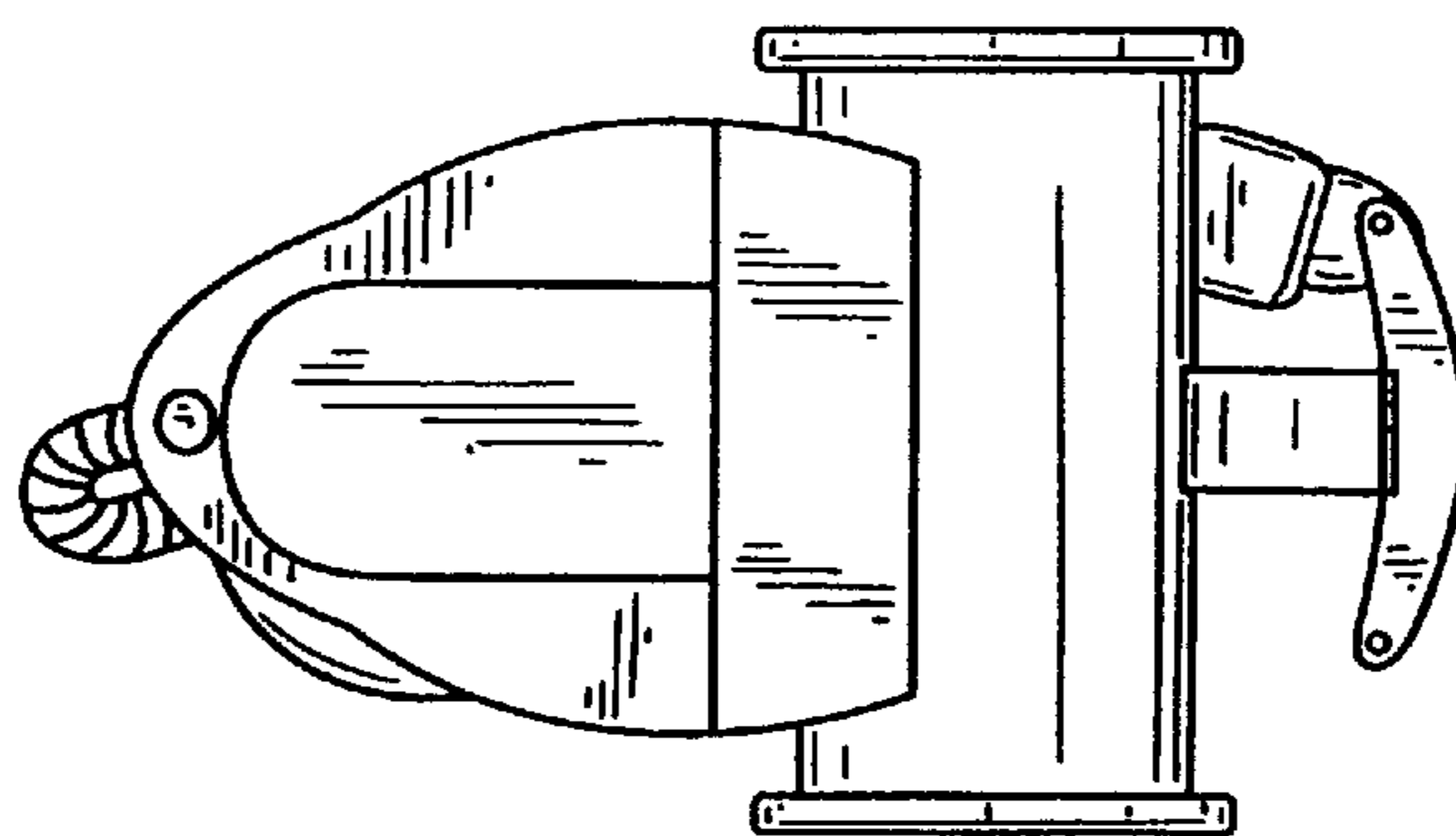


FIG. 7