



US00D404493S

# United States Patent [19]

[11] **Patent Number: Des. 404,493**

**Varlet**

[45] **Date of Patent: \*\*Jan. 19, 1999**

[54] **COMBINED BABY BOTTLE AND BABY BOTTLE HOLDER**

D. 338,069 8/1993 McCormick ..... D24/199  
2,397,059 3/1946 Swank ..... 248/105

[75] Inventor: **Marc F. Varlet**, Etel, France

*Primary Examiner*—Stella Reid  
*Attorney, Agent, or Firm*—Lowe Hauptman Gopstein  
Gilman & Berner

[73] Assignee: **Siep SA**, Etel, France

[\*\*] Term: **14 Years**

### [57] CLAIM

[21] Appl. No.: **83,426**

The ornamental design for a combined baby bottle and baby bottle holder, as shown and described.

[22] Filed: **Jan. 29, 1998**

### DESCRIPTION

[51] **LOC (6) Cl.** ..... **07-01**

[52] **U.S. Cl.** ..... **D24/197; D24/199**

[58] **Field of Search** ..... D24/197, 199,  
D24/198; 215/11.1, 11.2, 11.3, 11.4, 11.5,  
11.6

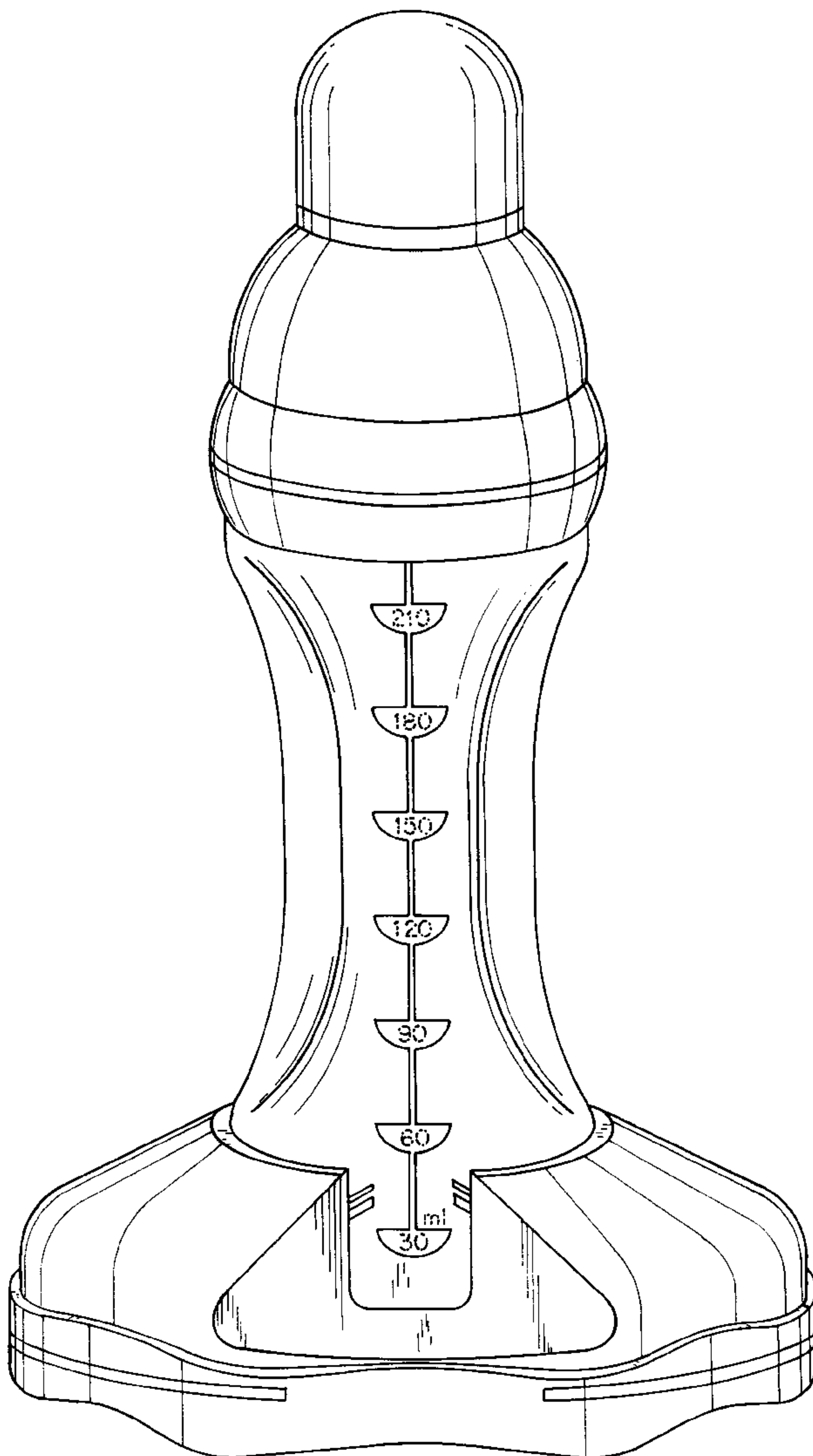
FIG. 1 is a front perspective view of a combined baby bottle and baby bottle holder, showing my new design; the broken line showing of the numerals and letters is for illustrative purposes only and forms no part of the claimed design; FIG. 2 is a back elevational view thereof; FIG. 3 is a right side elevational view thereof, the left side elevational view being identical thereto; FIG. 4 is a top plan view thereof; and, FIG. 5 is a bottom plan view thereof.

### [56] References Cited

#### U.S. PATENT DOCUMENTS

D. 303,431 9/1989 Brown ..... D24/198  
D. 318,731 7/1991 Chapin ..... D24/198

**1 Claim, 5 Drawing Sheets**



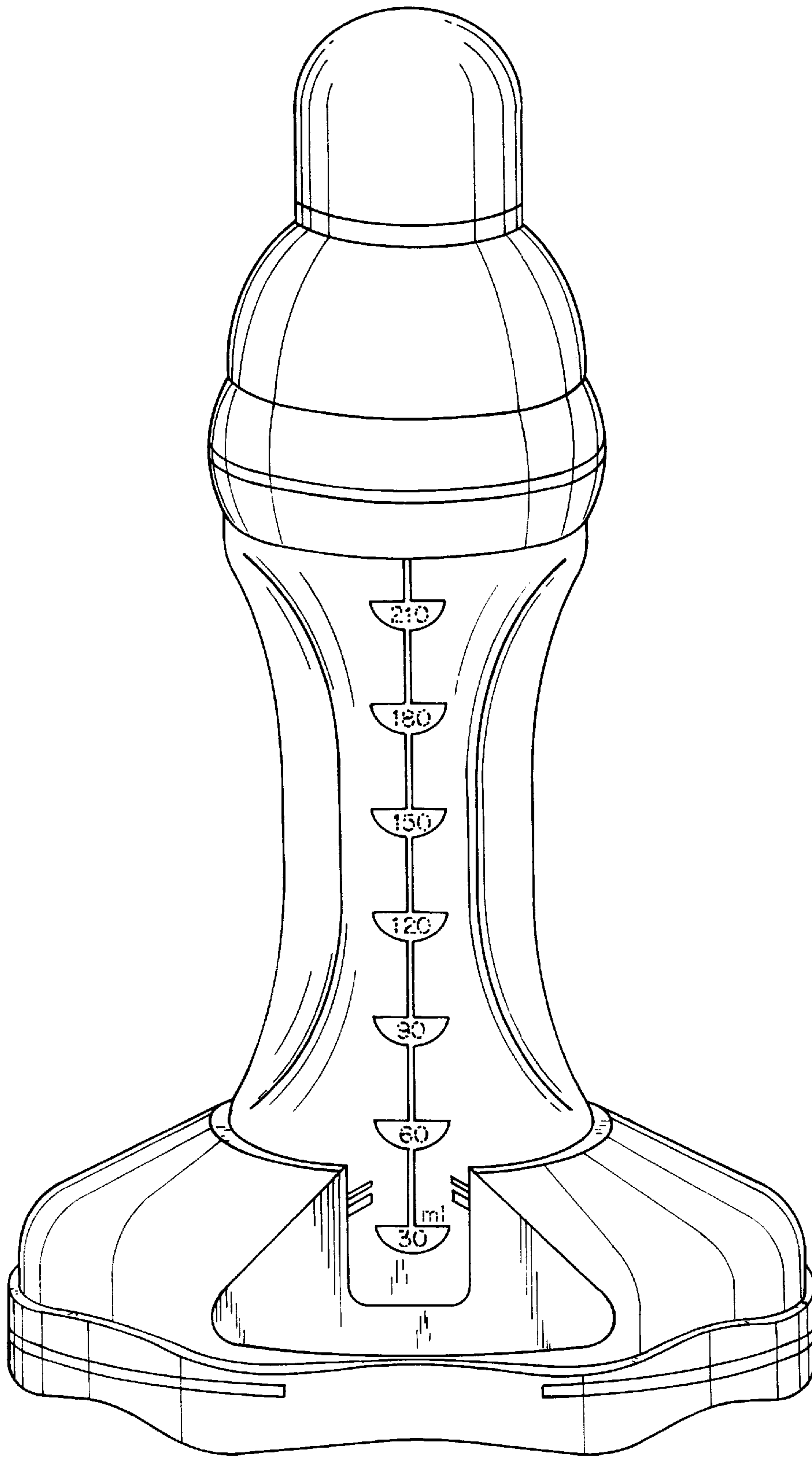


Fig. 1

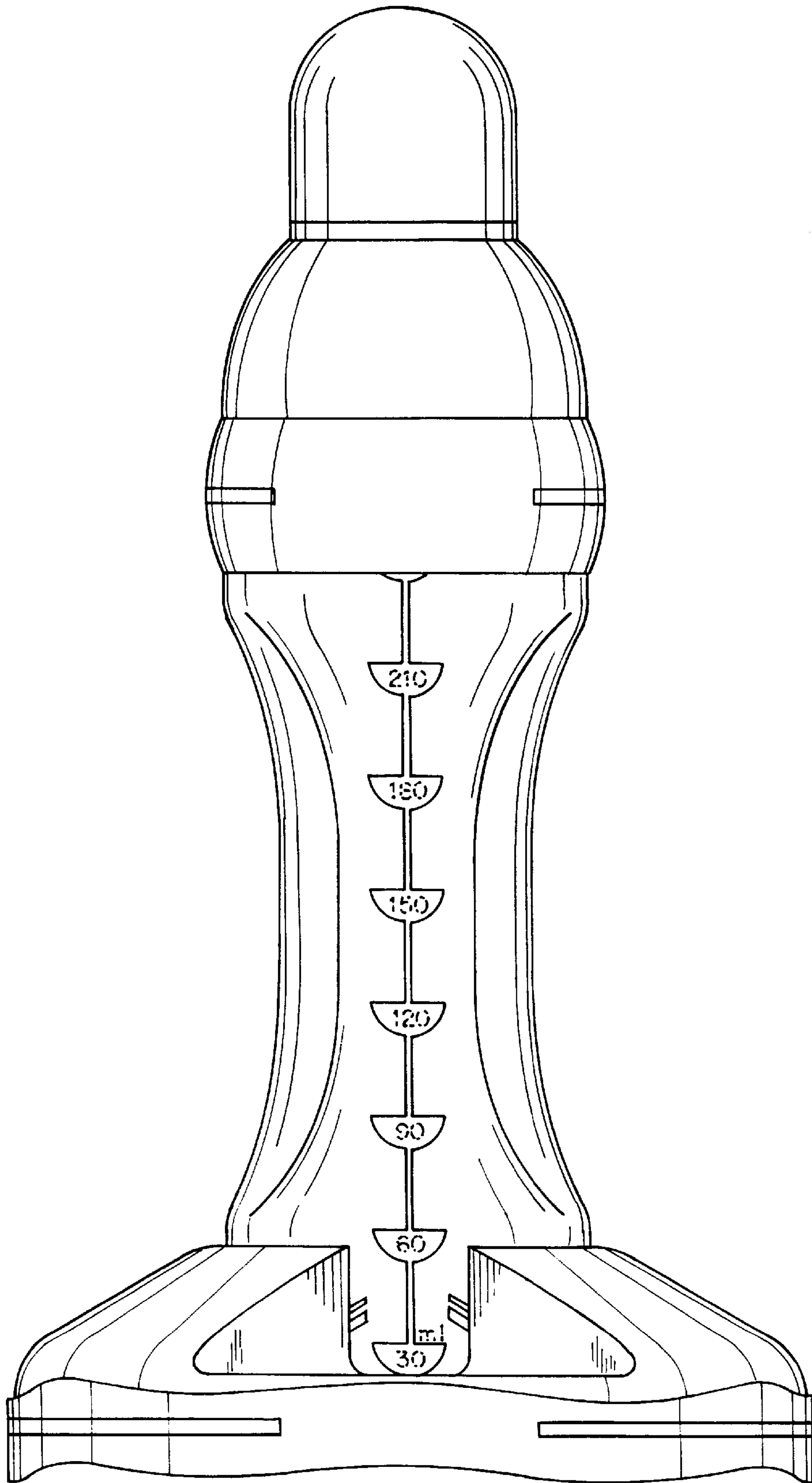


Fig. 2

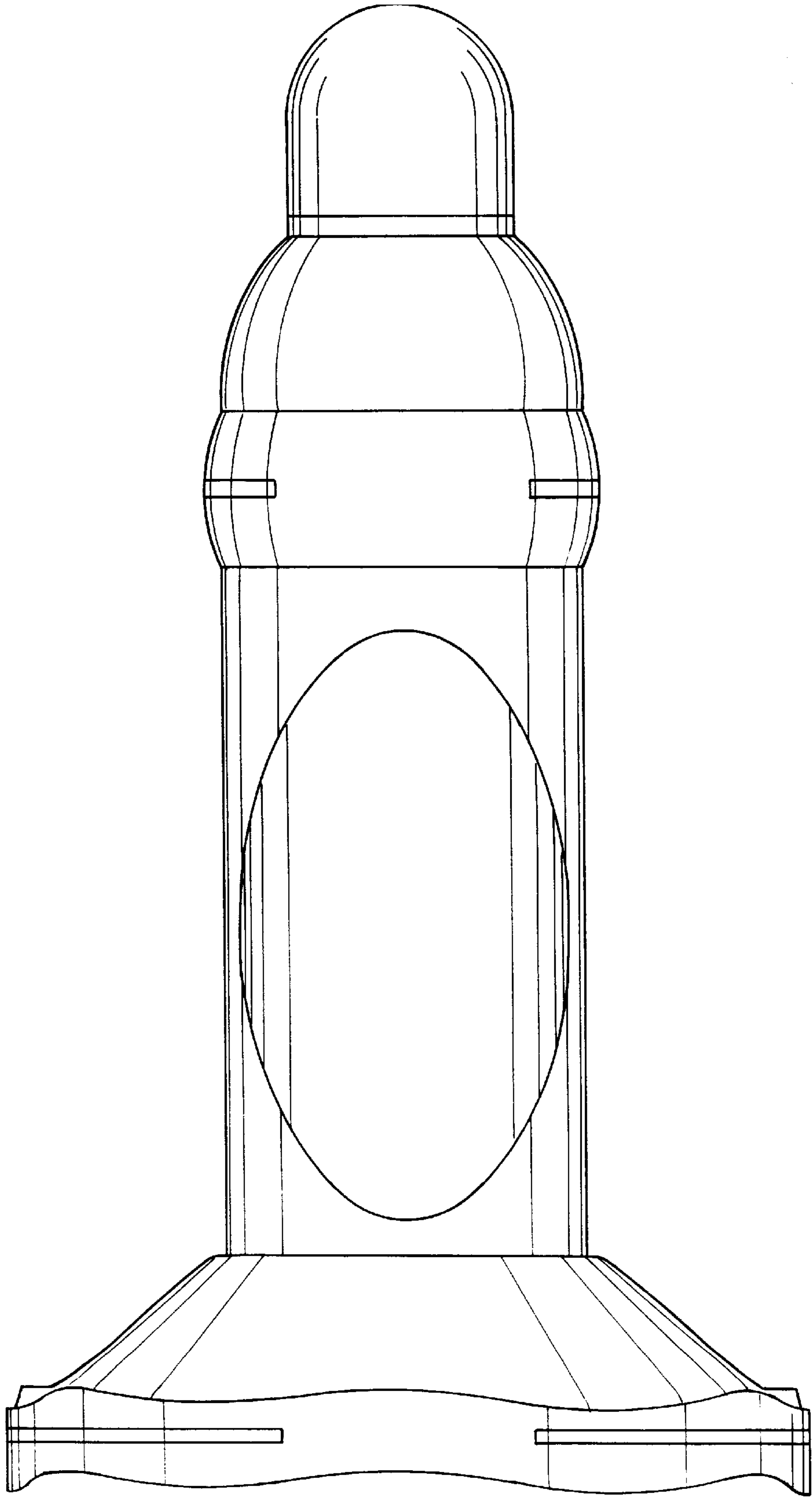


Fig. 3

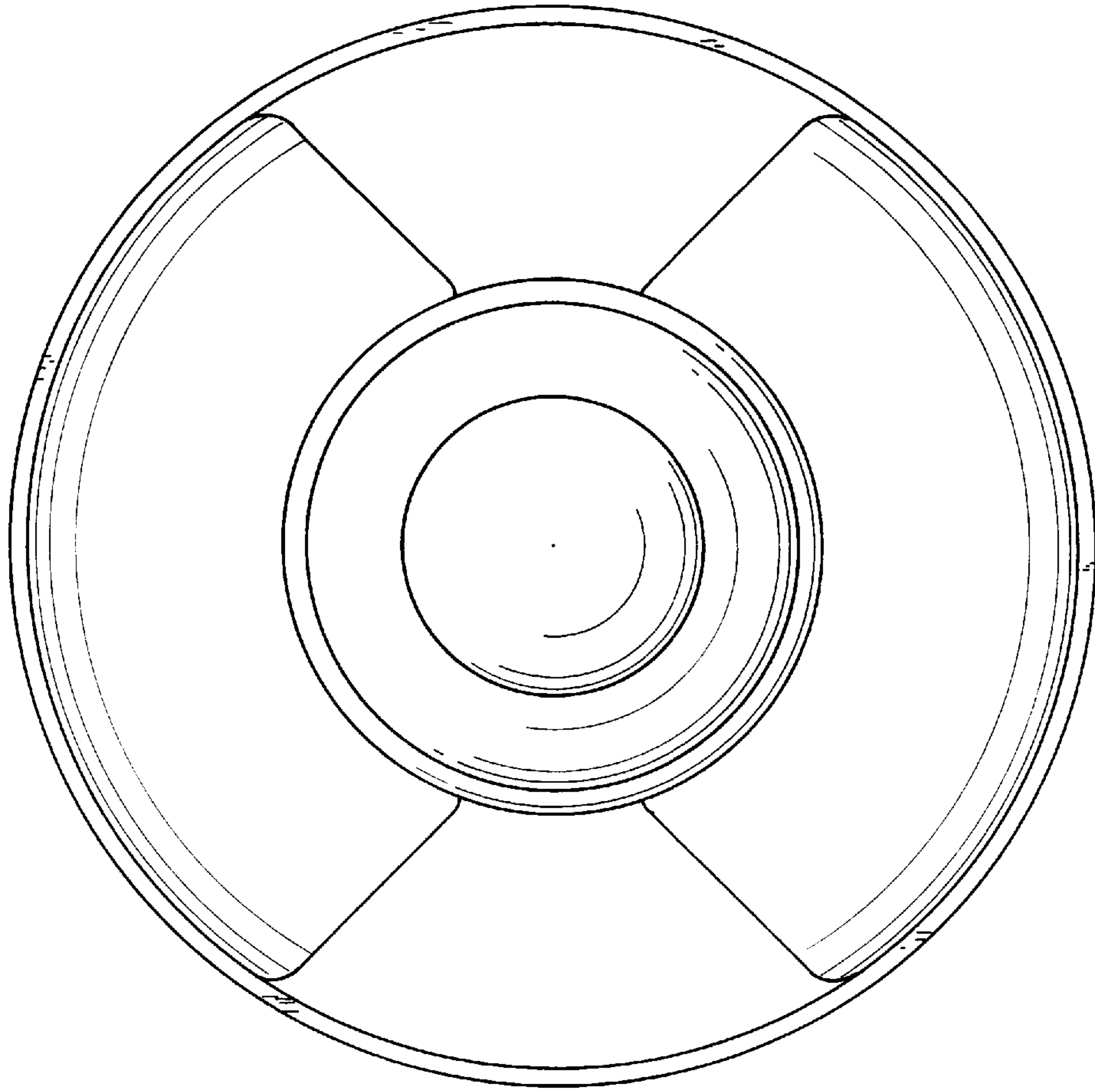


Fig. 4

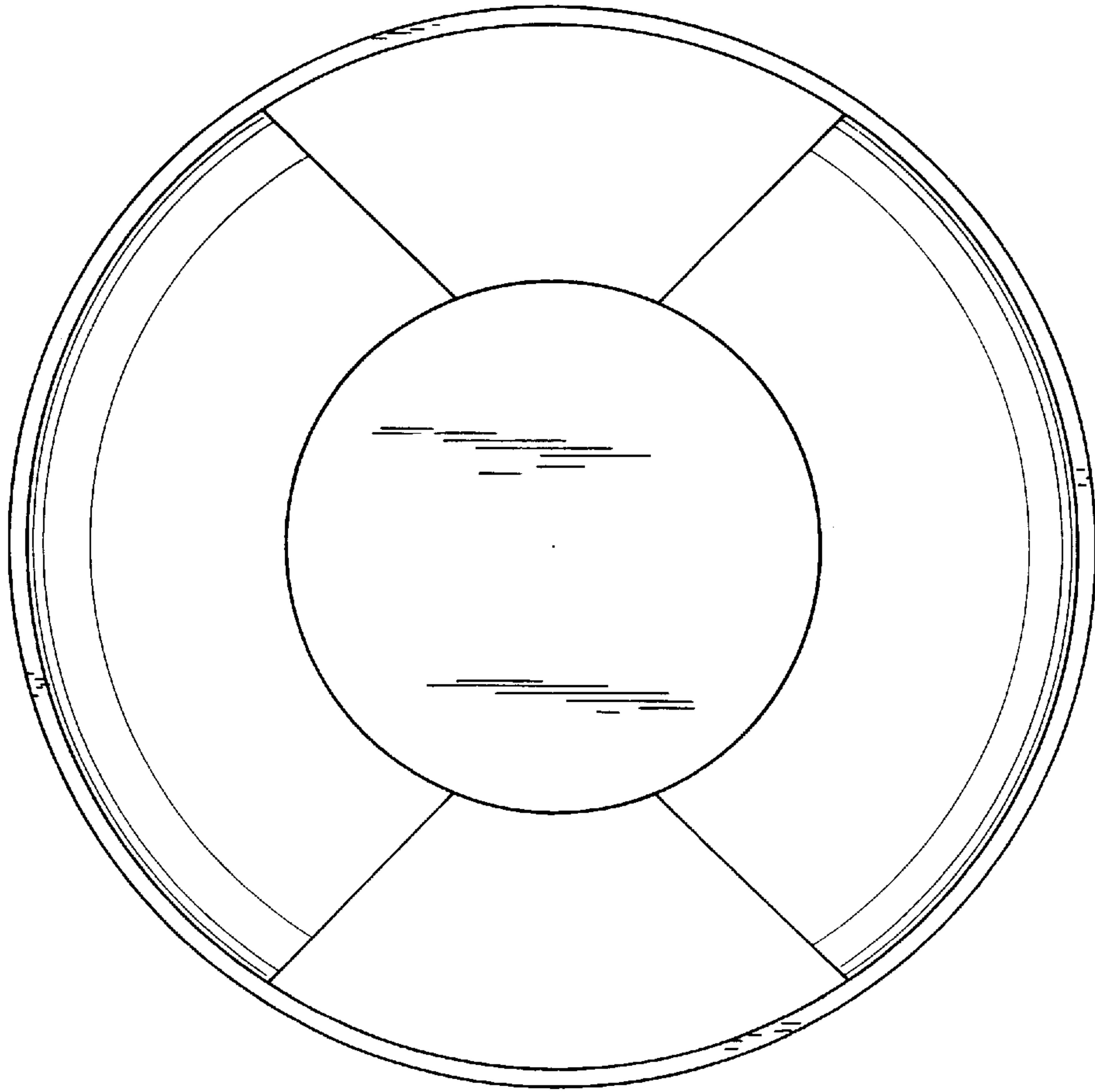


Fig. 5