



US00D404490S

United States Patent [19]
Tripolsky

[11] **Patent Number: Des. 404,490**

[45] **Date of Patent: **Jan. 19, 1999**

[54] **ABDOMINAL SUPPORT BELT**

[76] **Inventor: Lev Tripolsky, 281 Morning Sun Ave.,
Mill Valley, Calif. 94941**

[**] **Term: 14 Years**

[21] **Appl. No.: 75,533**

[22] **Filed: Sep. 2, 1997**

[51] **LOC (6) Cl. 24-04**

[52] **U.S. Cl. D24/190**

[58] **Field of Search D24/190; 602/19;
2/44, 311; 128/96.1**

[56] **References Cited**

U.S. PATENT DOCUMENTS

| | | | | |
|------------|---------|-------------|-------|---------|
| D. 352,114 | 11/1994 | Nicholson | | D24/190 |
| D. 353,890 | 12/1994 | McKeel | | D24/190 |
| 5,205,815 | 4/1993 | Saunders | | 602/19 |
| 5,432,951 | 7/1995 | Yewer, Jr. | | 2/44 |
| 5,693,006 | 12/1997 | Slutterback | | 602/19 |

Primary Examiner—Stella Reid
Attorney, Agent, or Firm—Janis Biksa

[57] **CLAIM**

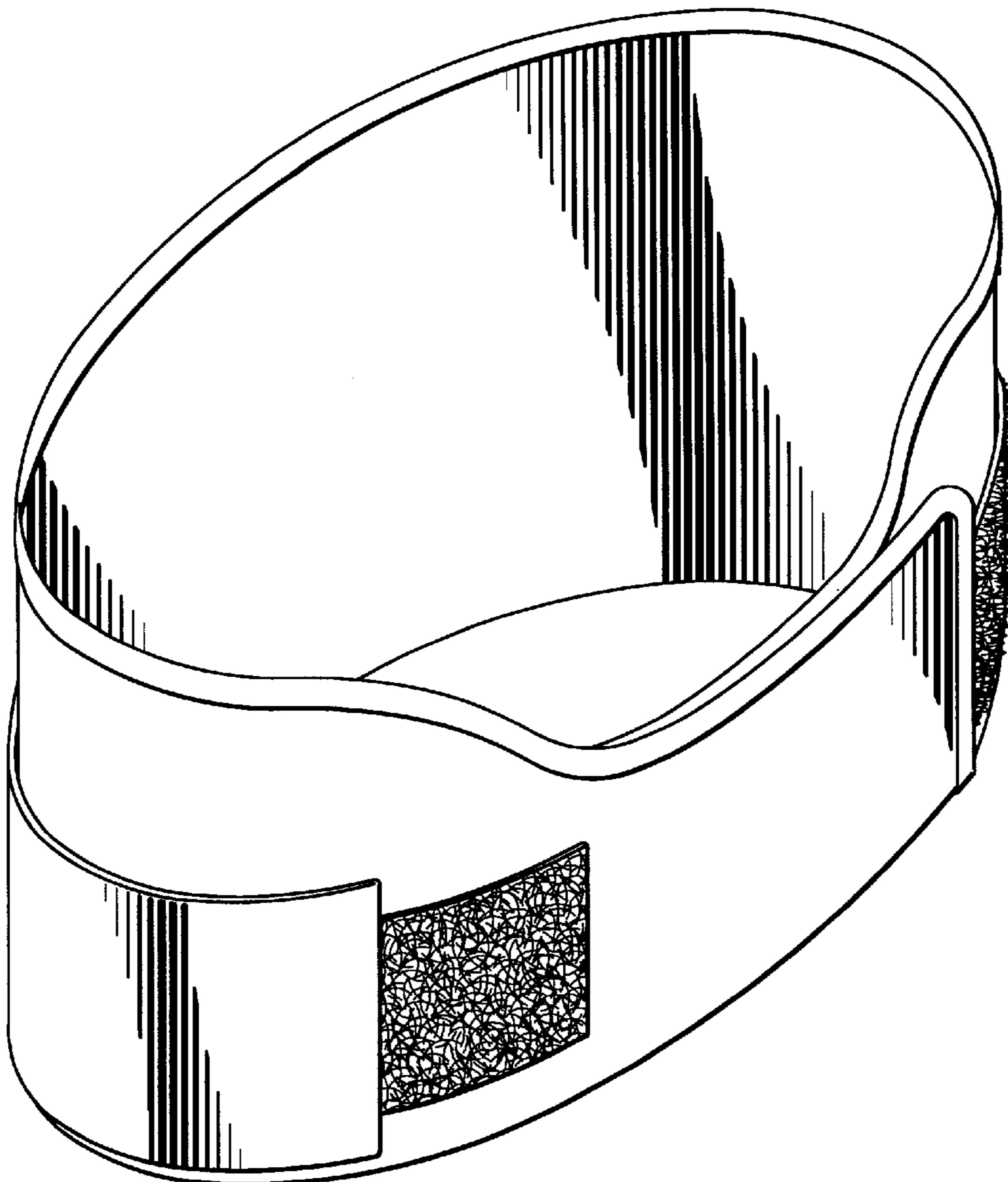
The ornamental design for an abdominal support belt, as shown and described.

DESCRIPTION

FIG. 1 is a perspective view of a first embodiment of the design according to the invention;
 FIG. 2 is a back view of the design of FIG. 1;
 FIG. 3 is a front view of the design of FIG. 1 with front flaps over lapping;
 FIG. 4 is a left side view of the design of FIG. 1;
 FIG. 5 is a right side view of the design of FIG. 1;
 FIG. 6 is a top view of the design of FIG. 1, the bottom view being a mirror image thereof;
 FIG. 7 is a front view with outer front flap open to expose the inner front flap; and,
 FIG. 8 is a back view with the outer section of the flap on the right of this figure doubled over to expose the interrelationship of element, the view of the flap on the left side being a mirror image thereof.

The broken lines in the figures represent stitch lines.

1 Claim, 4 Drawing Sheets



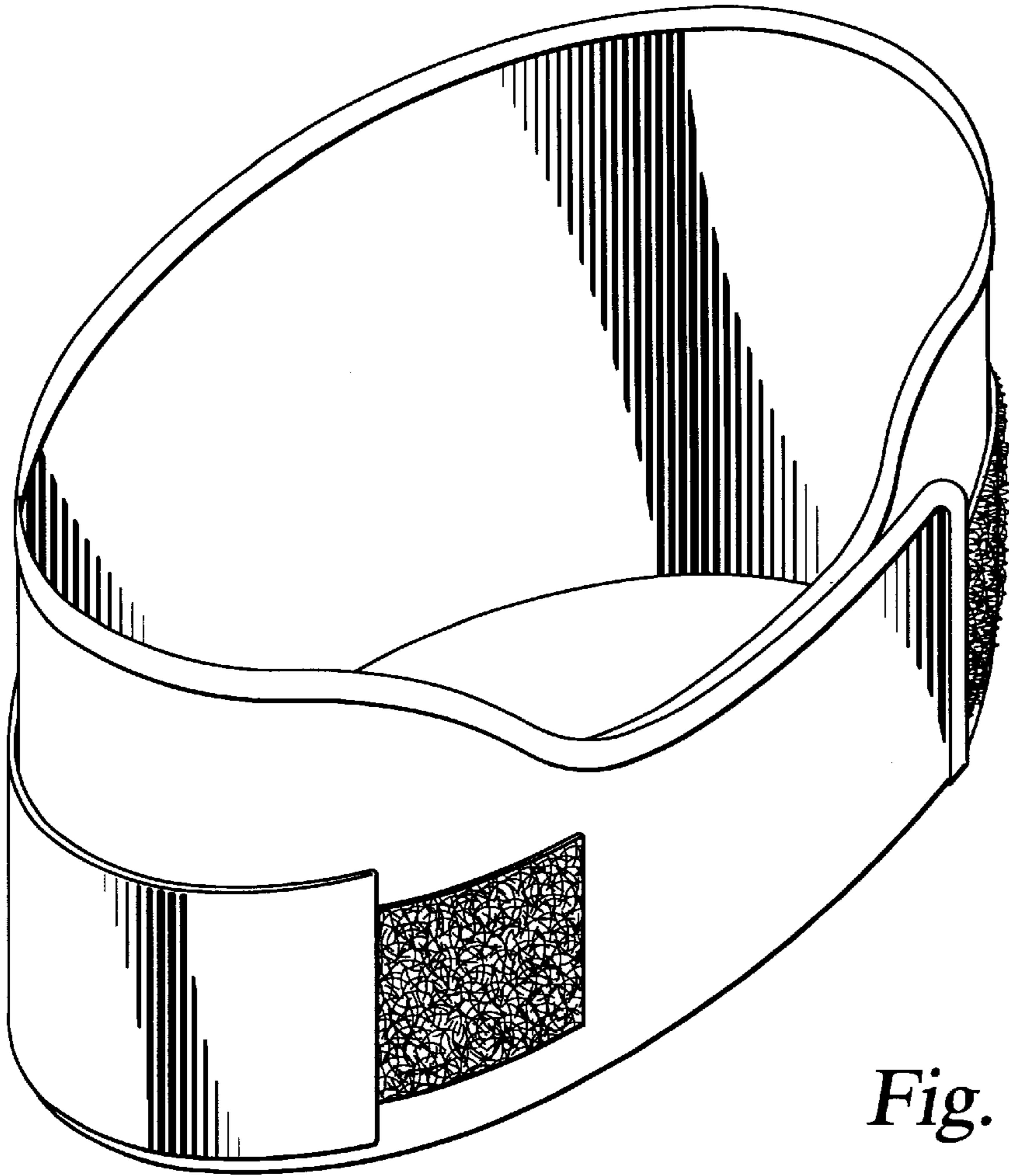


Fig. 1

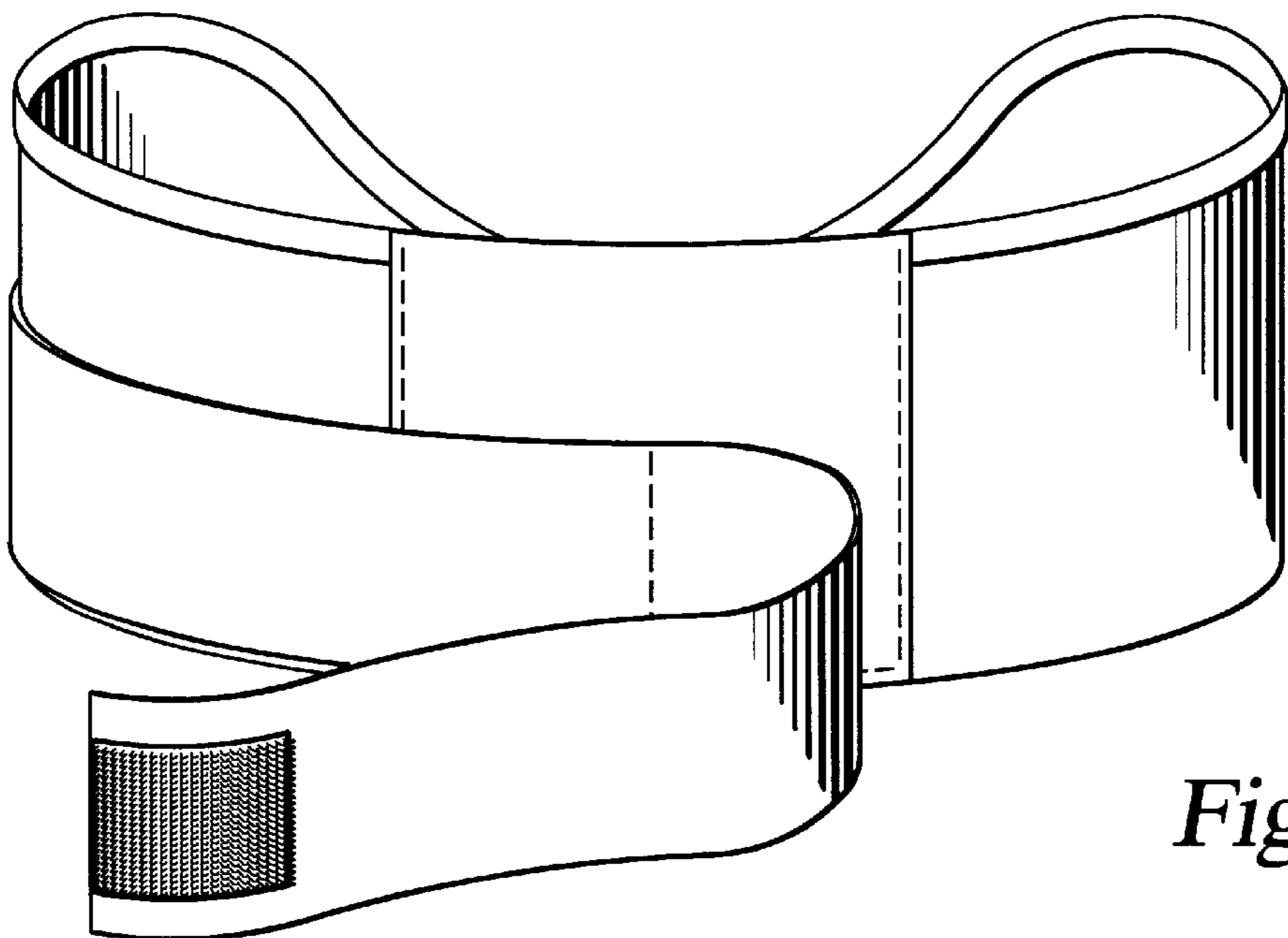


Fig. 8

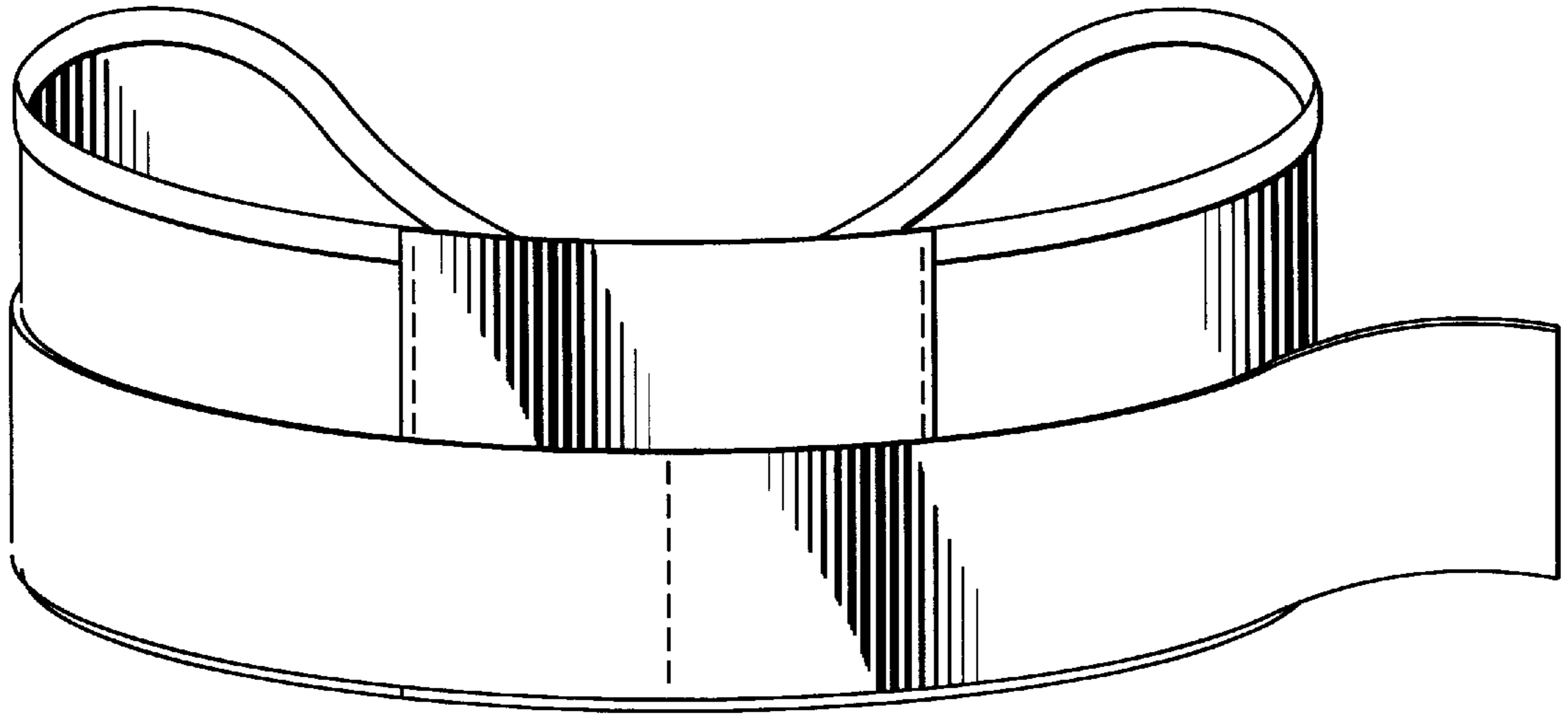


Fig. 2

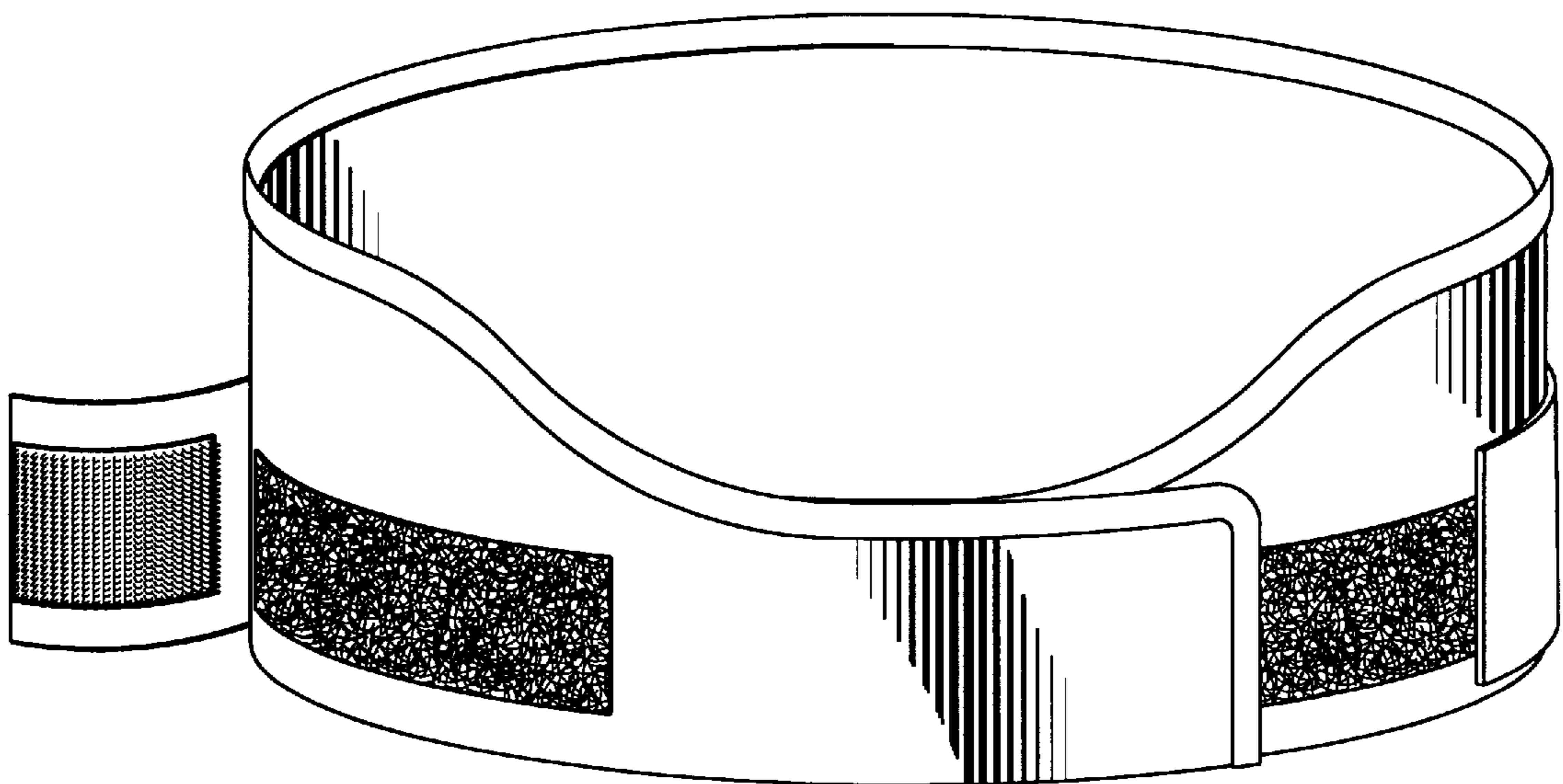


Fig. 3

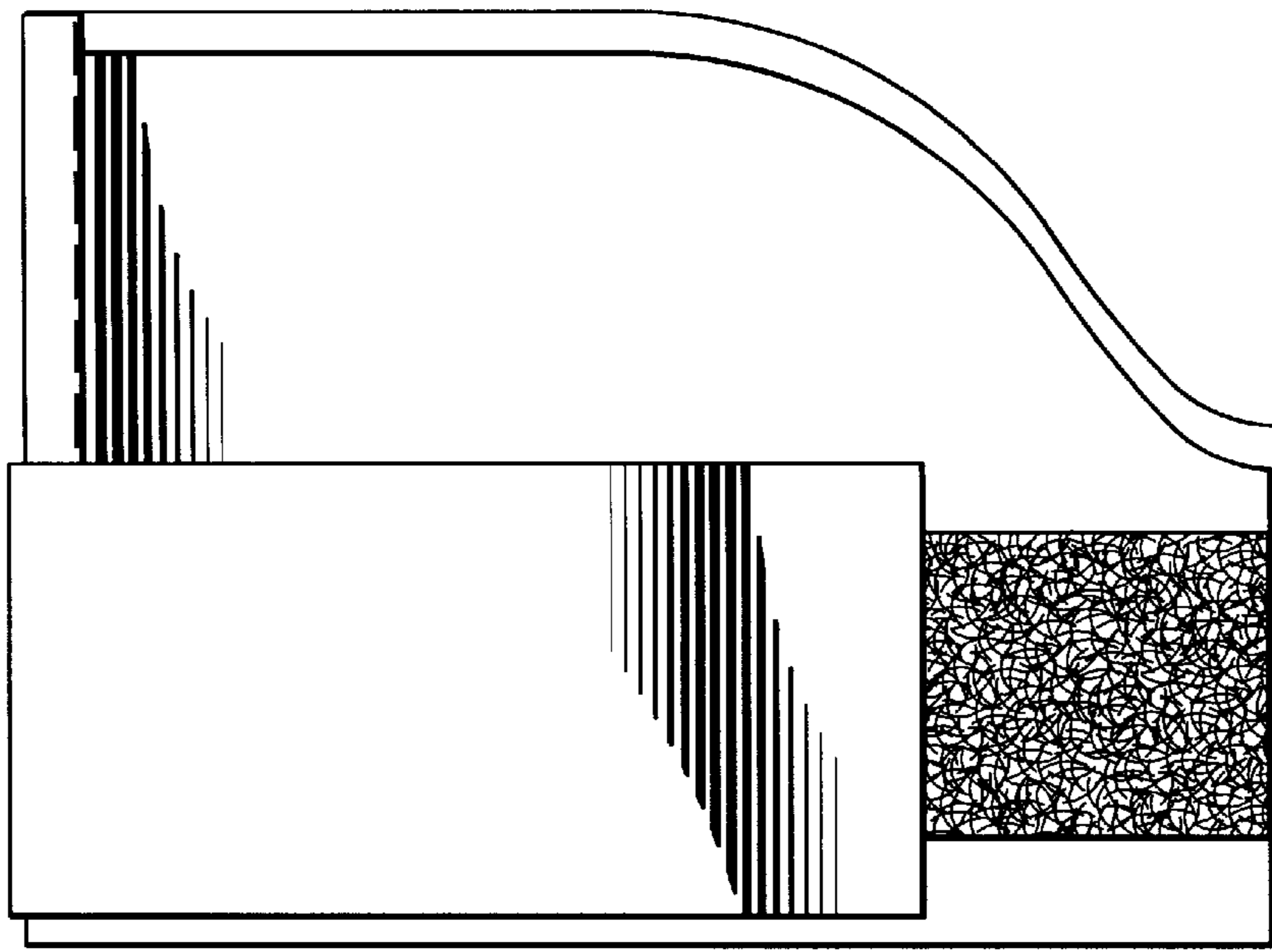


Fig. 4

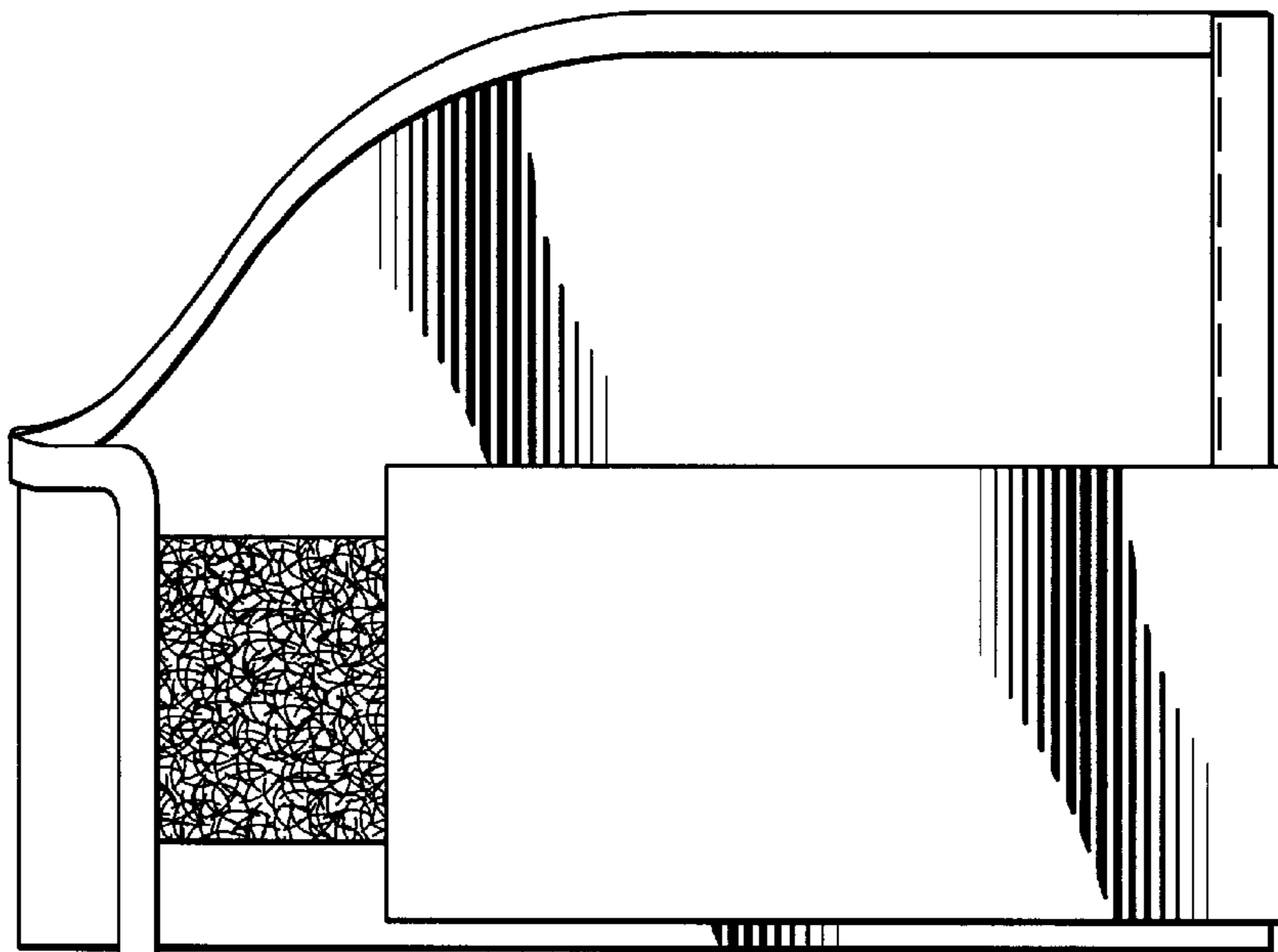


Fig. 5

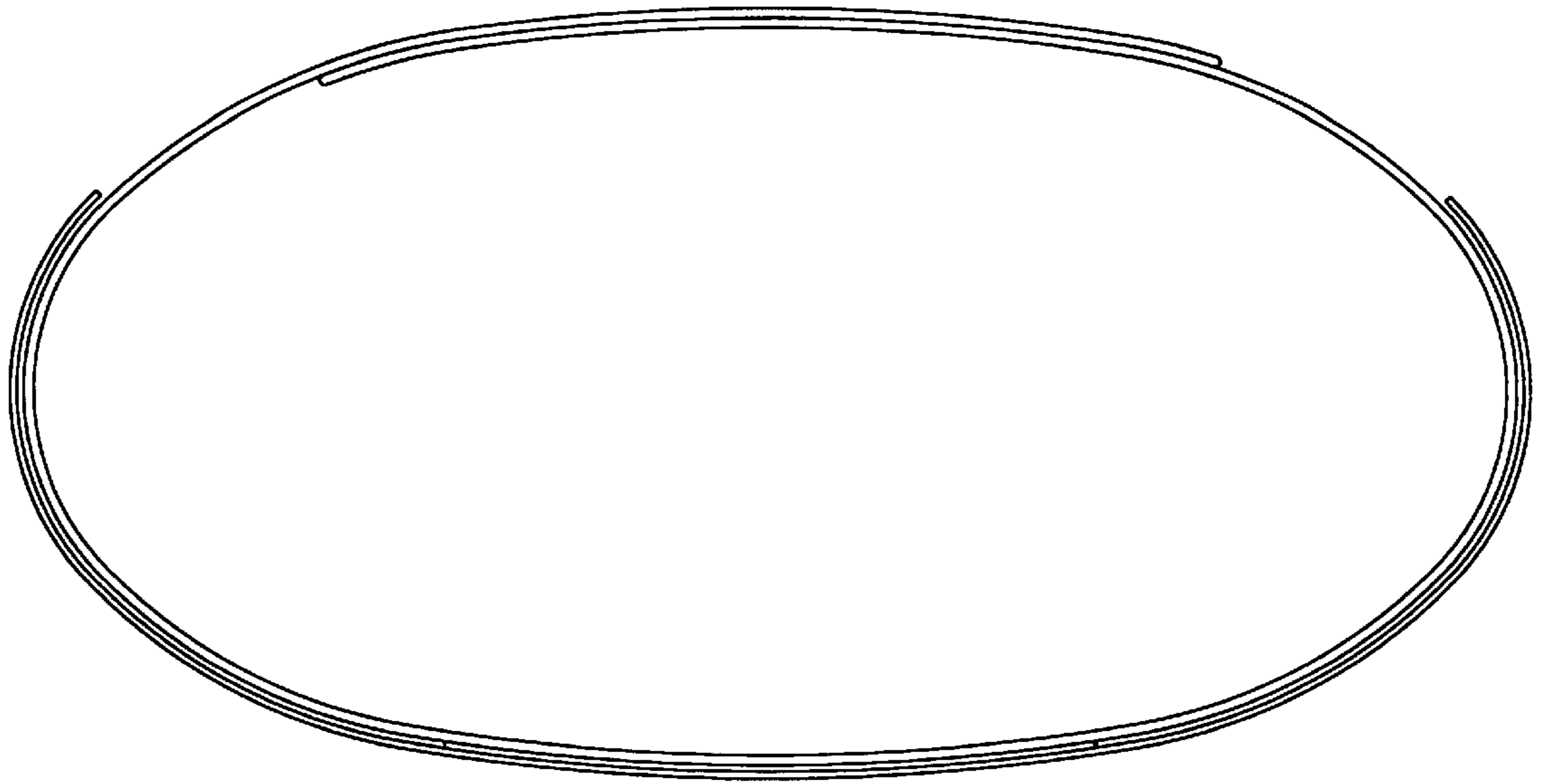


Fig. 6

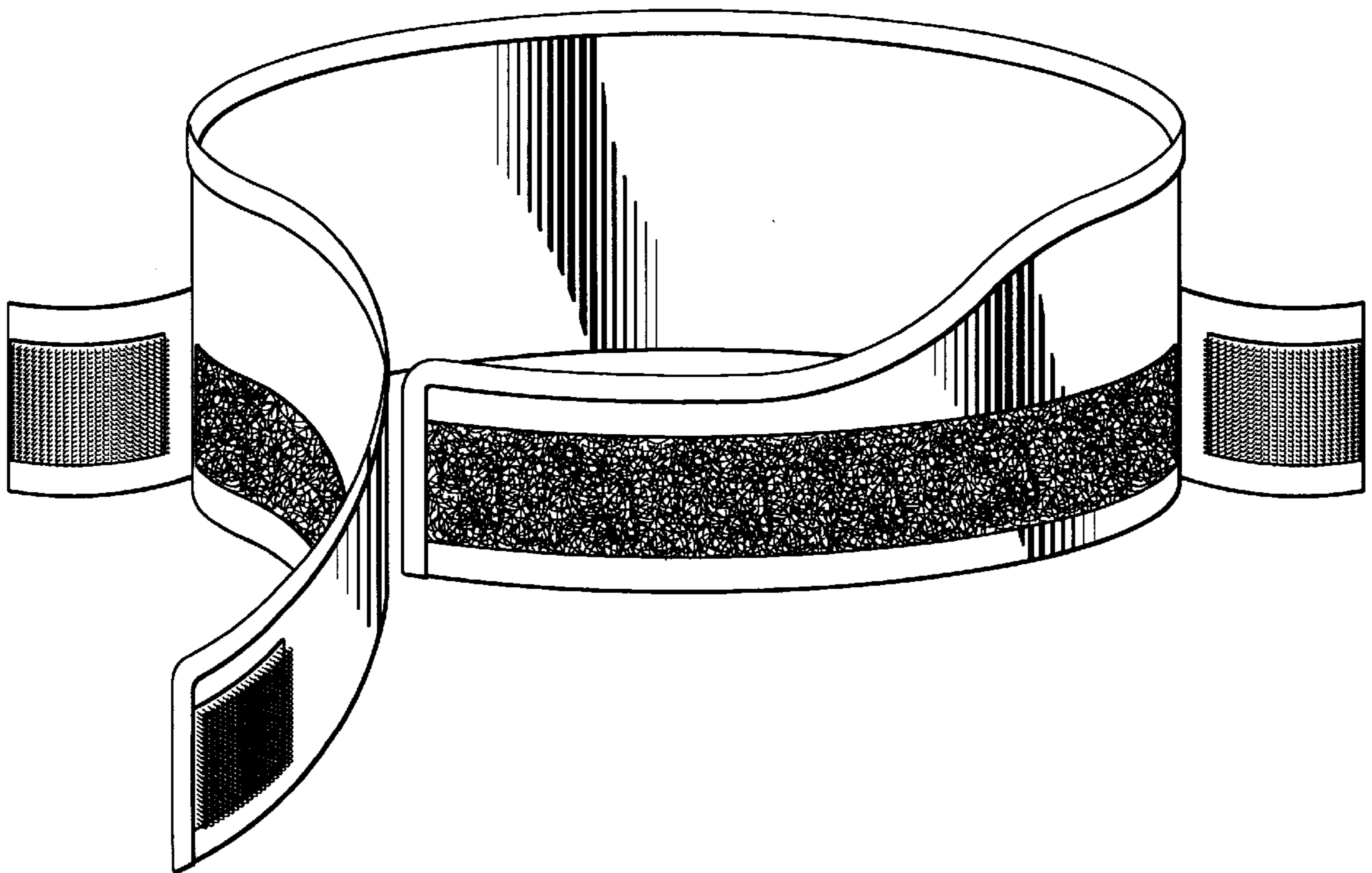


Fig. 7