



US00D404487S

# United States Patent [19]

Bertella

[11] Patent Number: **Des. 404,487**

[45] Date of Patent: **\*\*Jan. 19, 1999**

[54] TONGUE SCRAPER

[75] Inventor: **Phyllis Miller Bertella**, Birmingham, Ala.

[73] Assignee: **Milbert, Inc.**, Birmingham, Ala.

[\*\*] Term: **14 Years**

[21] Appl. No.: **84,274**

[22] Filed: **Feb. 27, 1998**

[51] LOC (6) Cl. .... **24-02**

[52] U.S. Cl. .... **D24/147**

[58] Field of Search ..... D24/147, 146, D24/133; D32/40, 49, 41; 606/161; 15/111; 30/346.5, 41

[56] **References Cited**

**U.S. PATENT DOCUMENTS**

D. 378,234	2/1997	Sanichan .....	D24/147
D. 385,962	11/1997	Conkey .....	D24/147
856,711	6/1907	Lees .....	606/161
2,651,068	9/1953	Seko .....	606/161

3,890,964	6/1975	Castanedo .....	606/161
4,488,327	12/1984	Snider .....	606/161
5,217,475	6/1993	Knber .....	606/161

*Primary Examiner*—Pamela Burgess  
*Attorney, Agent, or Firm*—Veal & Associates

[57] **CLAIM**

The ornamental design for the tongue scraper, as shown and described.

**DESCRIPTION**

FIG. 1 is a perspective view of a tongue scraper showing my new design;  
FIG. 2 is a perspective view as seen from the end opposite that shown in FIG. 1;  
FIG. 3 is a top plan view, the bottom view being identical;  
FIG. 4 is a side elevational view, the side not shown being a mirror image of the side shown;  
FIG. 5 is an end elevational view; and,  
FIG. 6 is an end elevational view opposite that shown in FIG. 5.

**1 Claim, 2 Drawing Sheets**

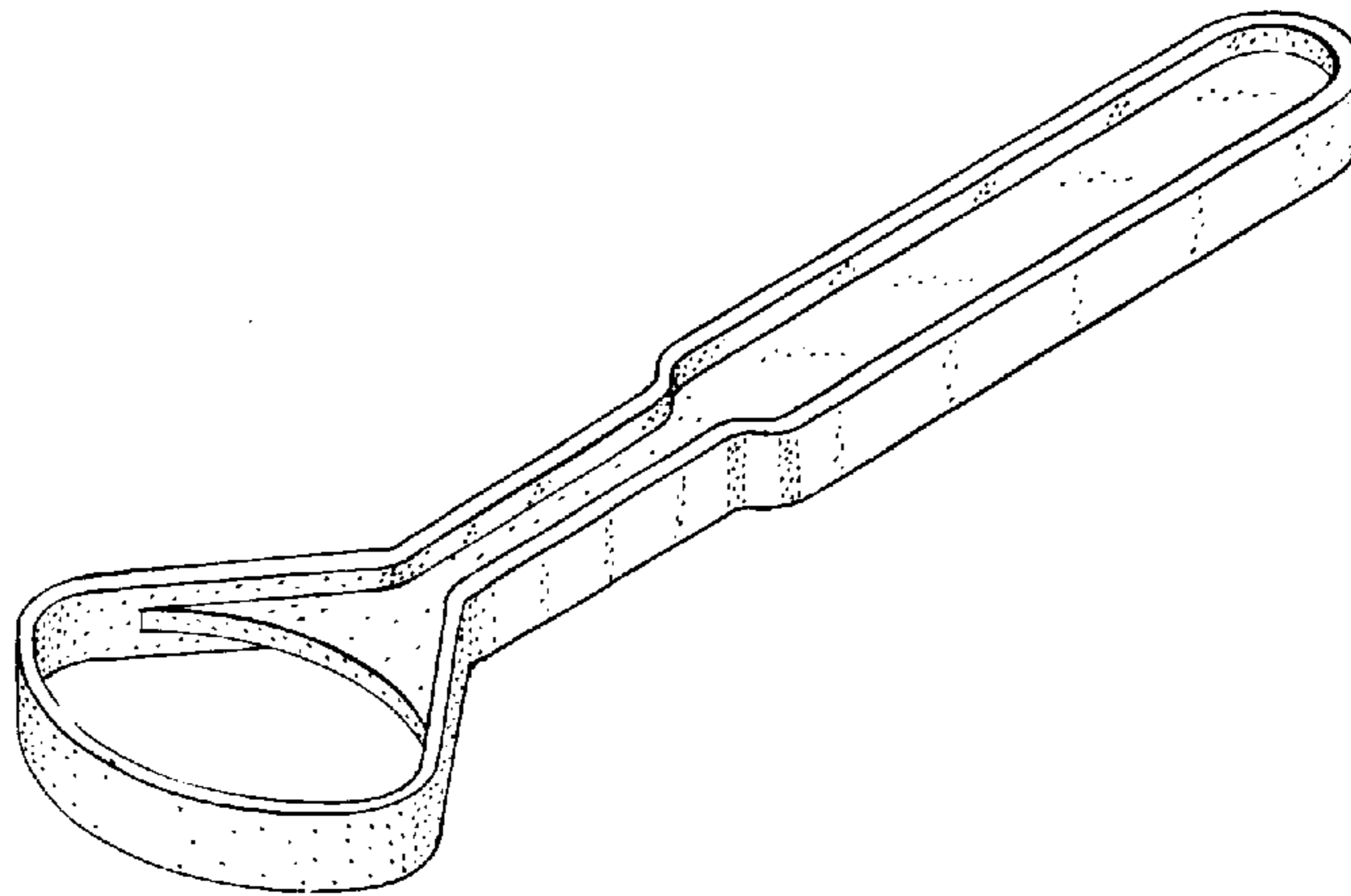


FIG. 1

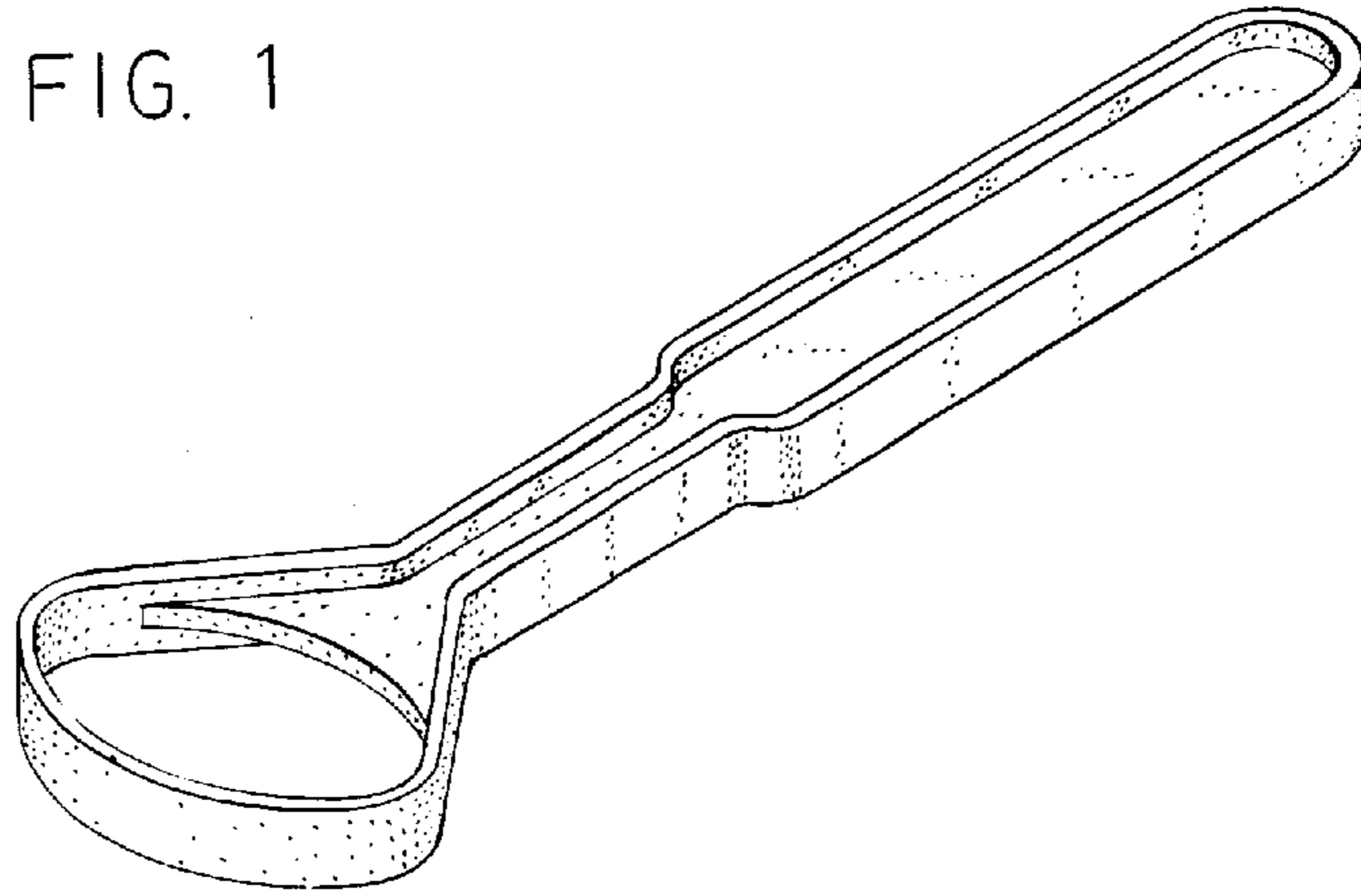
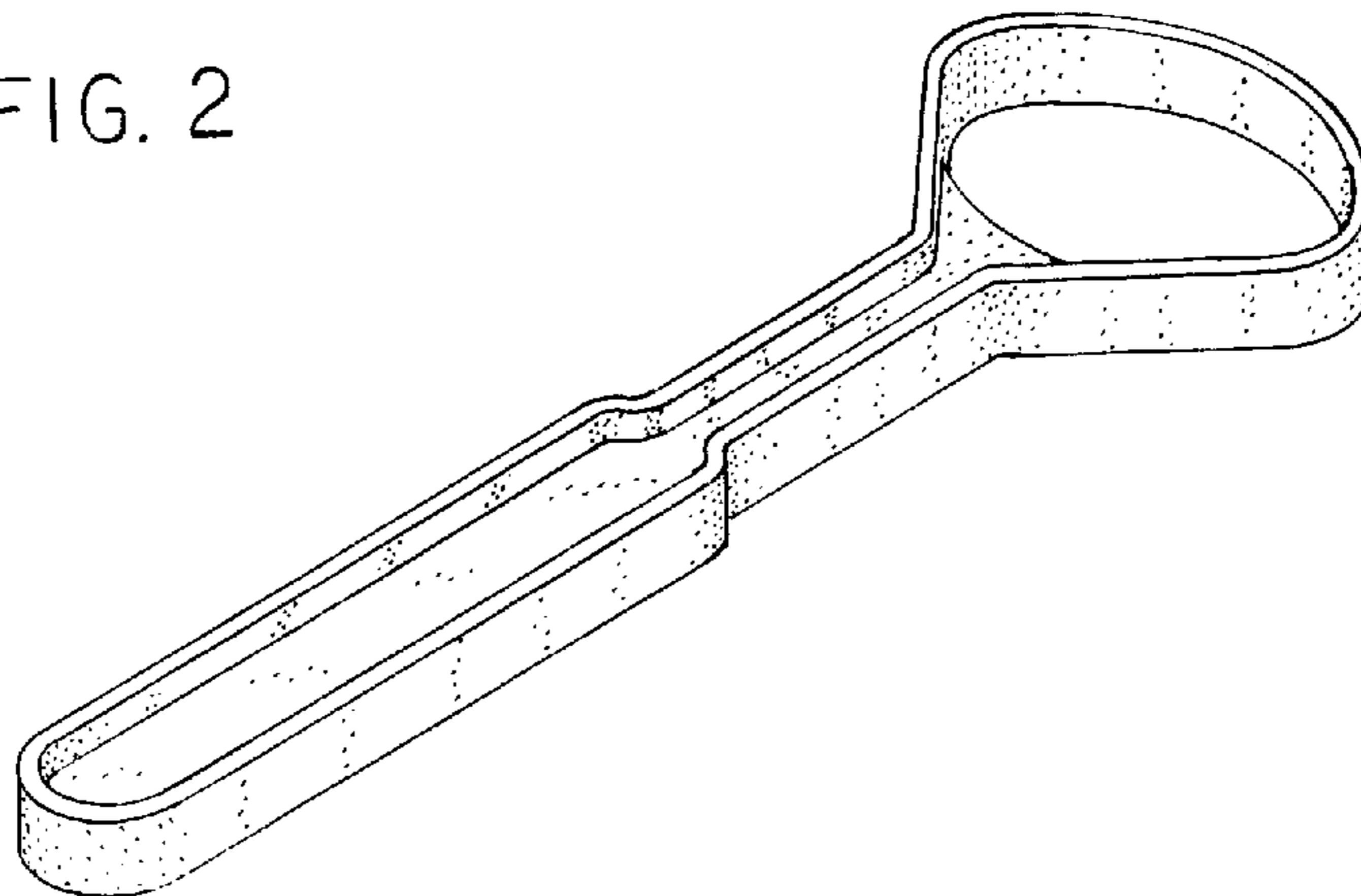


FIG. 2



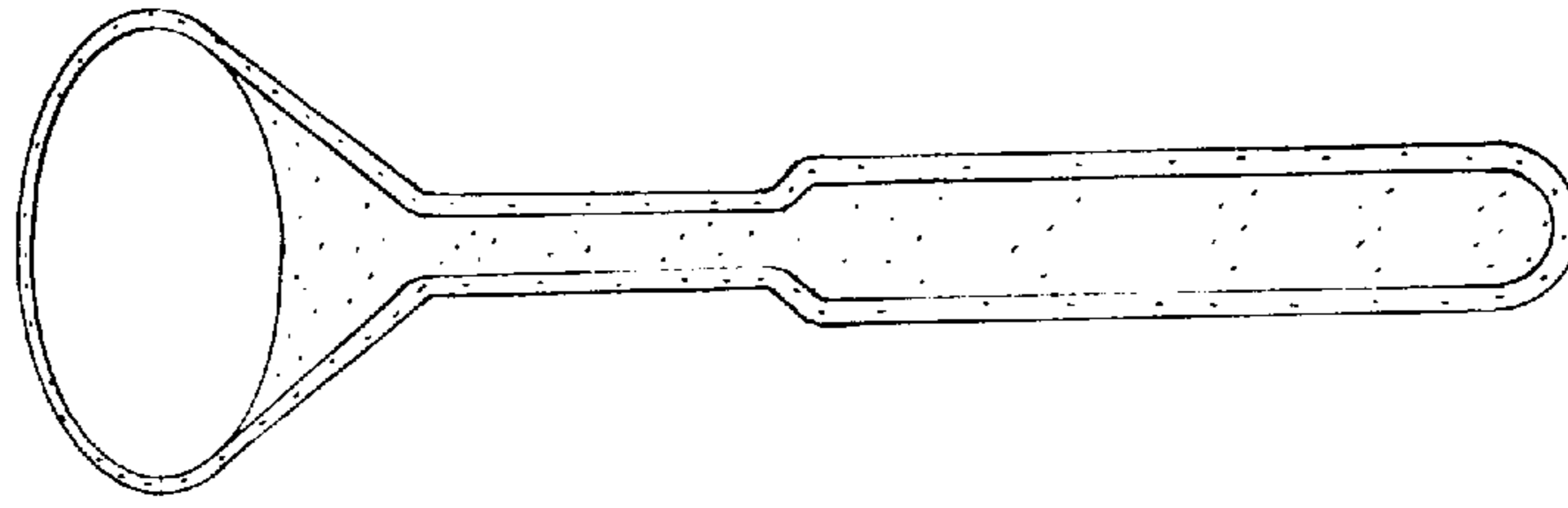


FIG. 3



FIG. 4

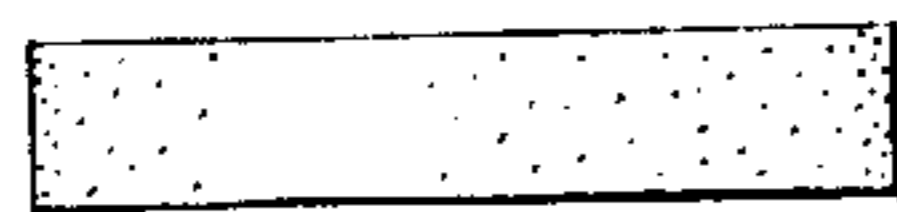


FIG. 5



FIG. 6