



US00D404484S

United States Patent [19]

Lahr et al.

[11] **Patent Number: Des. 404,484**

[45] **Date of Patent: **Jan. 19, 1999**

[54] **SURGICAL INSTRUMENT WITH CLAMSHELL OPENING**

D. 347,690 6/1994 Rigby et al. D24/138
2,200,322 5/1940 Arnesen 606/29
5,254,117 10/1993 Rigby et al. 606/46

[76] Inventors: **Christopher J. Lahr**, 10-B Farmfield Ave., Charleston, S.C. 29407; **John J. Geiges, Jr.**, 4143 Sebago Rd., Yorges Island, S.C. 29449

Primary Examiner—Pamela Burgess
Attorney, Agent, or Firm—Clifton Ted Hunt

[**] Term: **14 Years**

[57] **CLAIM**

The ornamental design for a surgical instrument with clamshell opening, as described and shown in the drawings.

[21] Appl. No.: **68,163**

DESCRIPTION

[22] Filed: **Mar. 19, 1997**

[51] **LOC (6) Cl. 24-02**

[52] **U.S. Cl. D24/133**

[58] **Field of Search** D24/133, 129, D24/127, 128, 108; 30/517, 343, 340, 327; D8/80, 83, 94, 107; 128/750-752, 749, 6, 303.14, 754; 604/34-35, 19, 27, 902, 119, 275, 48, 73, 20-22; 606/45-49, 40, 41, 167-172, 37-39, 181, 29

FIG. 1 is a side view of the surgical instrument; FIG. 2 is a front elevation of the surgical instrument, looking at the left end of FIG. 1; FIG. 3 is a rear elevation of the surgical instrument, looking at the right end of FIG. 1; FIG. 4 is a top plan view of the surgical instrument; FIG. 5 is a bottom plan view of the surgical instrument; FIG. 6 is a side view of the surgical instrument, looking at the side not shown in FIG. 1; and, FIG. 7 is a front view of the surgical instrument in its open position.

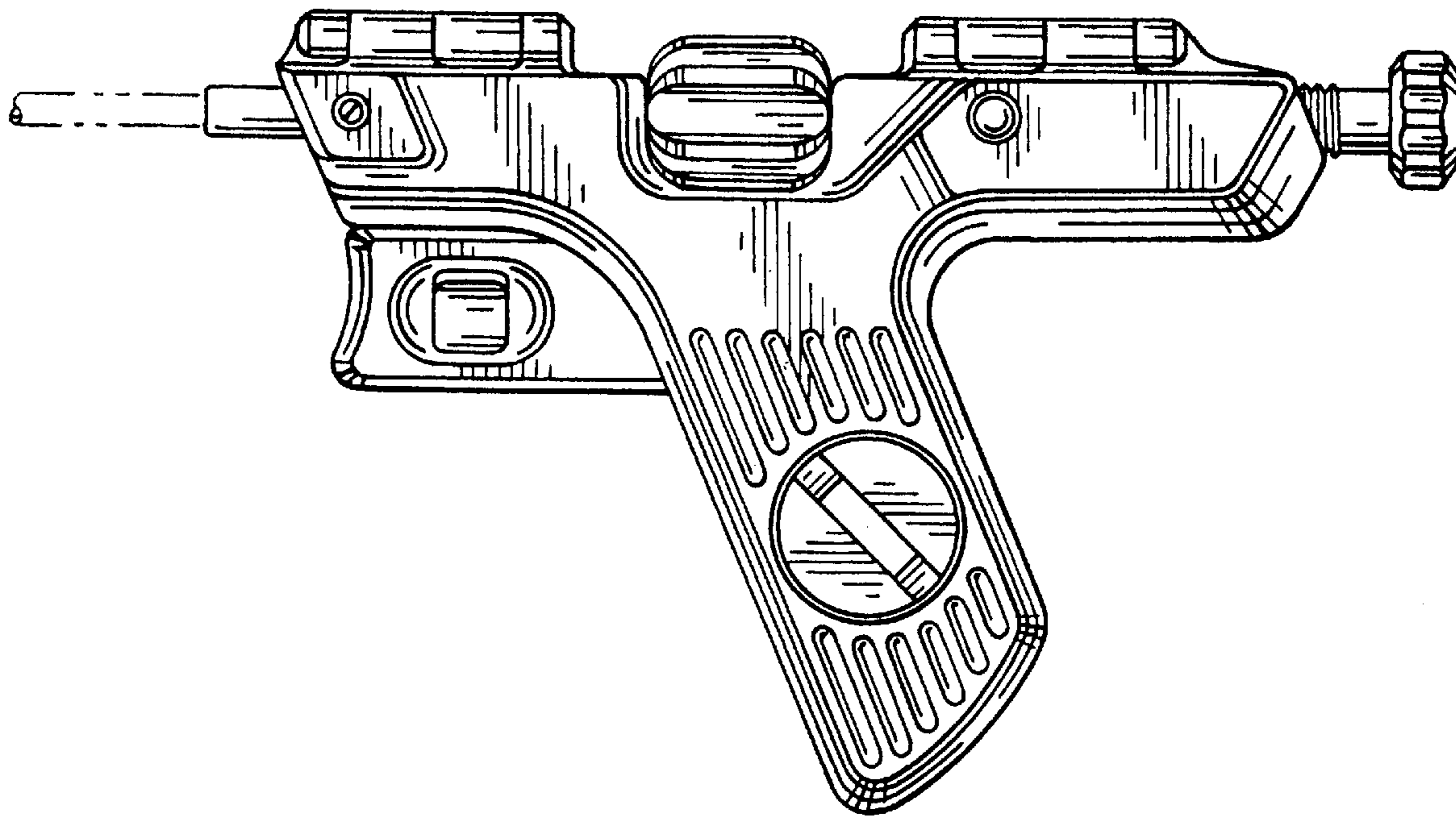
The broken lines shown are for illustrative purposes only and form no part of the claimed design.

[56] **References Cited**

U.S. PATENT DOCUMENTS

D. 341,760 11/1993 Armbruster et al. D8/68

1 Claim, 3 Drawing Sheets



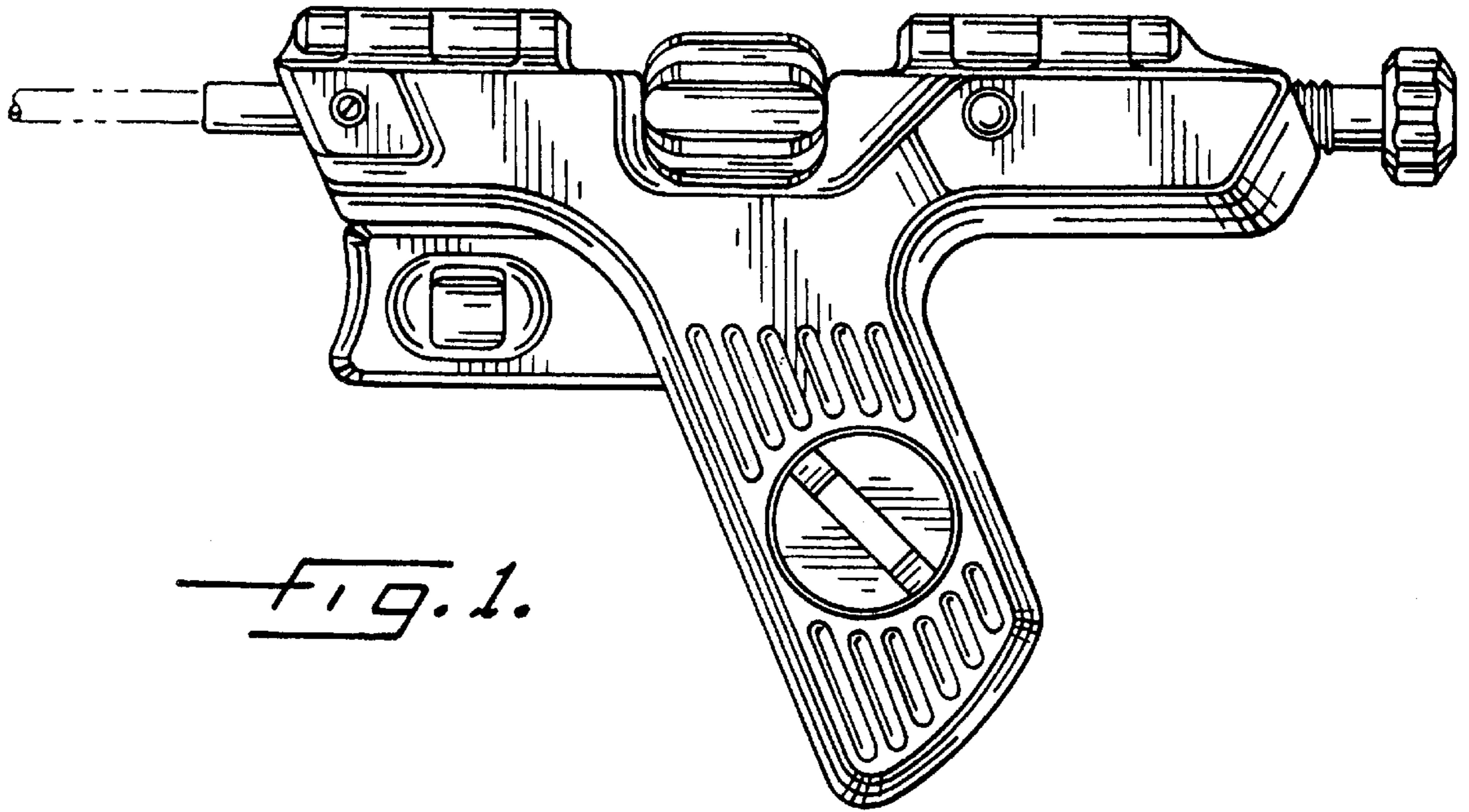


FIG. 1.

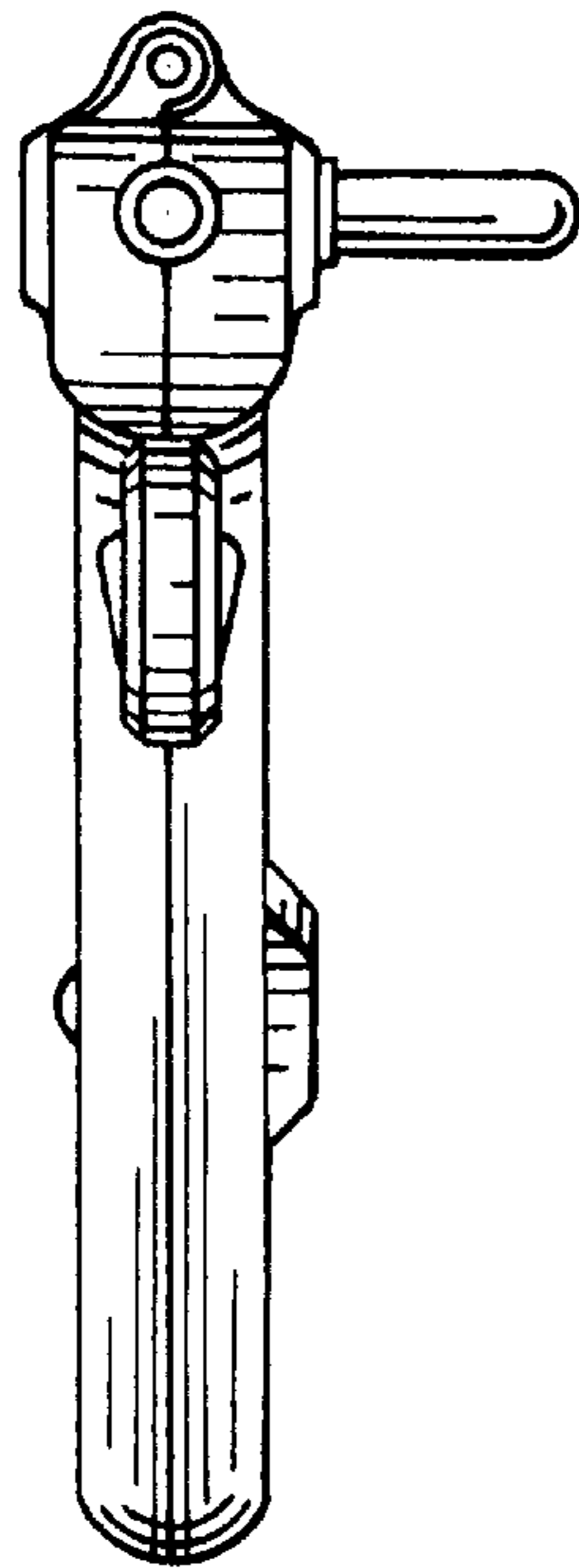


FIG. 2.

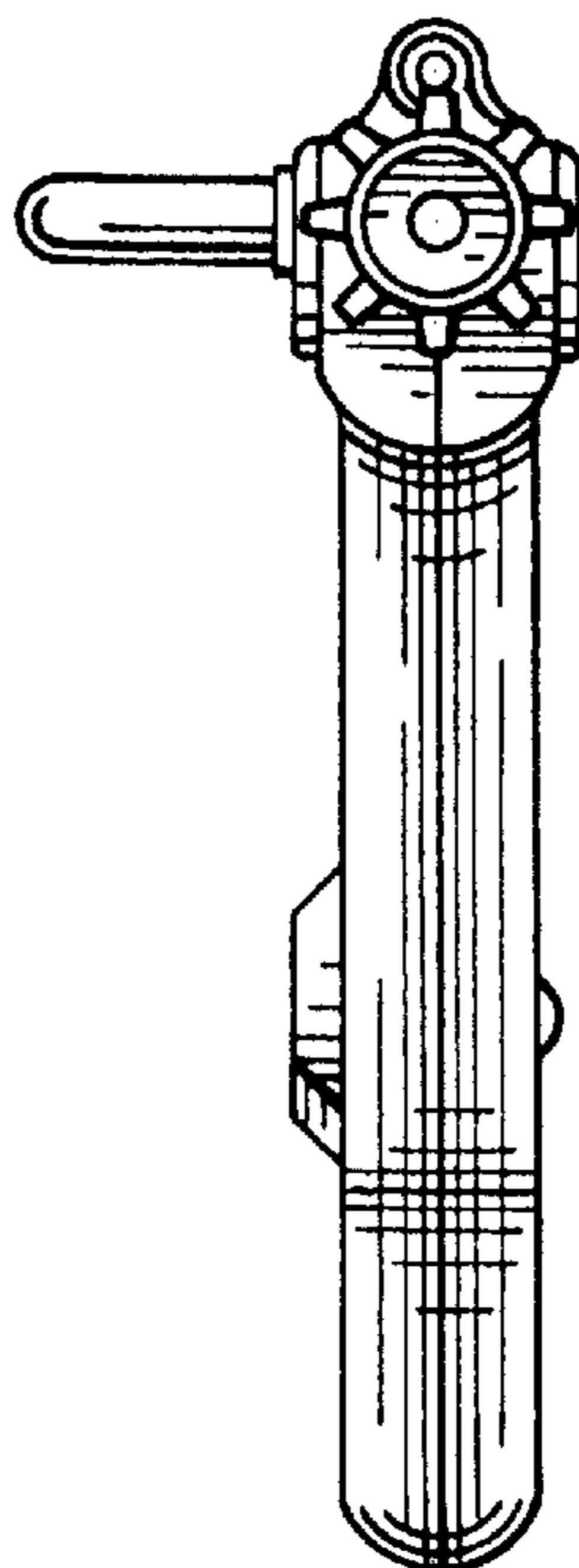


FIG. 3.

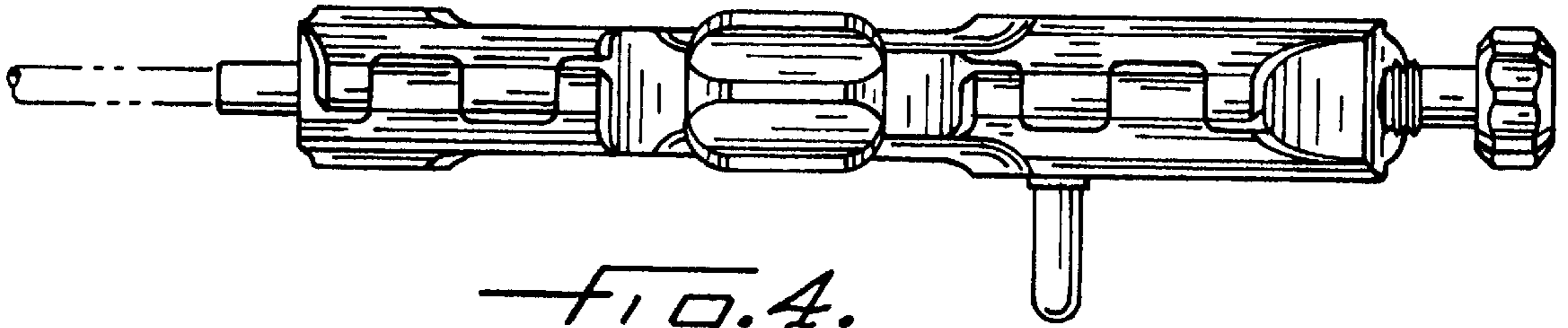


FIG. 4.

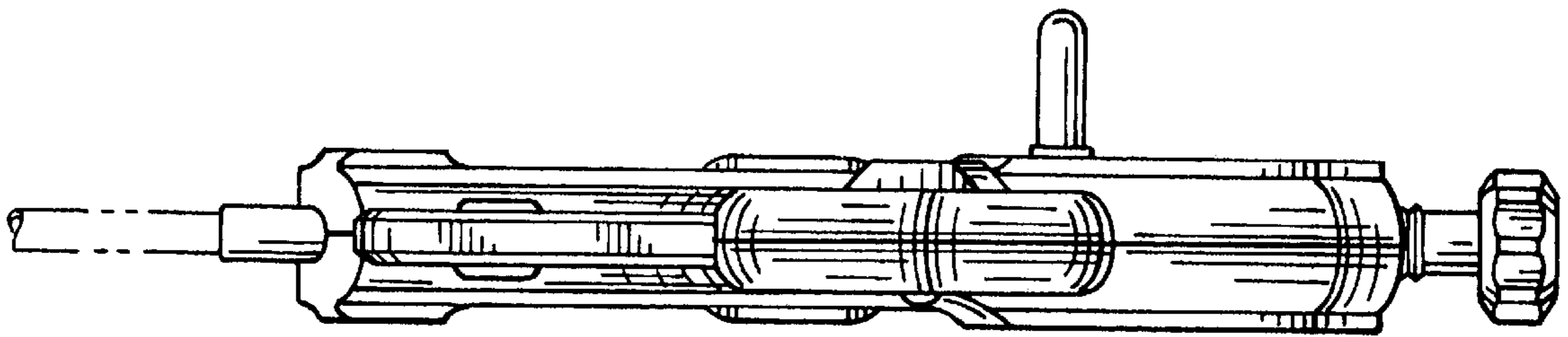


FIG. 5.

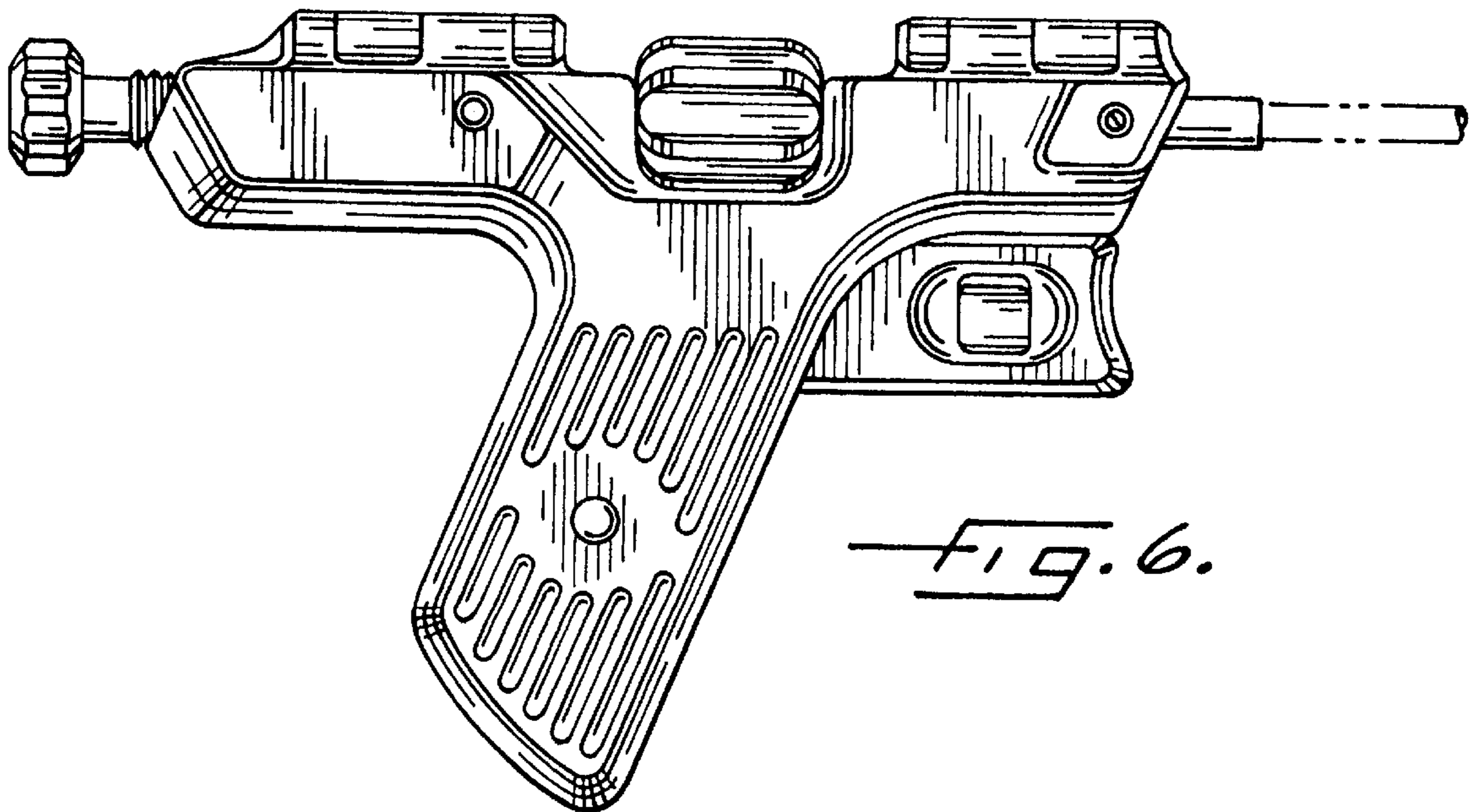


FIG. 6.

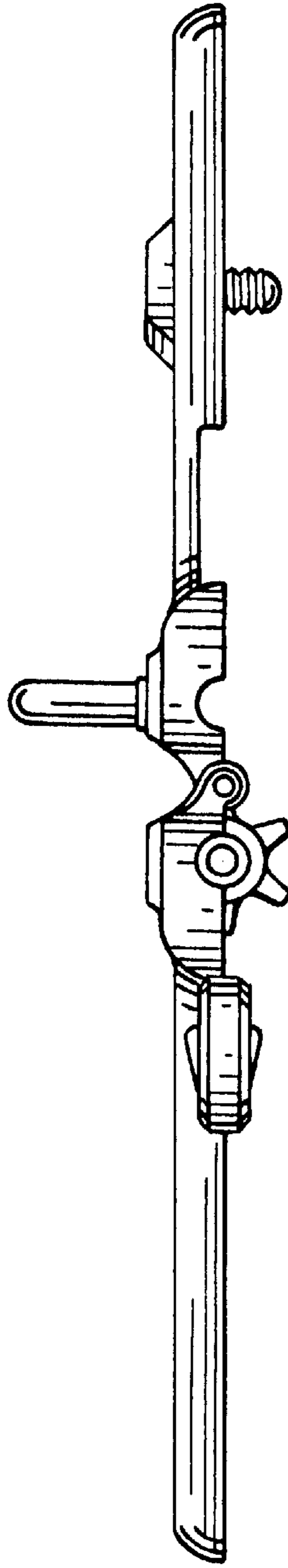


FIG. 7.