



US00D404483S

United States Patent [19]

[11] **Patent Number: Des. 404,483**

Harwood et al.

[45] **Date of Patent: **Jan. 19, 1999**

[54] **MEDICAL WASTE DISPOSAL CONTAINER LID**

[75] Inventors: **Duane Harwood; Mike Griffin**, both of Chatsworth, Calif.

[73] Assignee: **Graphic Controls Corporation**, Buffalo, N.Y.

[**] Term: **14 Years**

[21] Appl. No.: **58,049**

[22] Filed: **Aug. 7, 1996**

[51] **LOC (6) Cl. 24-01**

[52] **U.S. Cl. D24/131**

[58] **Field of Search** D24/130, 131, D24/127, 108; 206/364, 365, 366; D9/432, 423, 424; D34/7, 8, 11; 220/4.22, 4.24, 339

[56] **References Cited**

U.S. PATENT DOCUMENTS

D. 242,974	1/1977	Hazzard	D34/7
D. 287,756	1/1987	Szablak et al.	D24/131
D. 341,237	11/1993	DeBusk	D34/7
D. 351,906	10/1994	Marsh	.	
3,904,074	9/1975	Hoffman et al.	220/339
4,034,885	7/1977	Hunckler et al.	220/254
4,842,138	6/1989	Sandel et al.	.	
5,107,990	4/1992	Wicherski et al.	.	
5,415,315	5/1995	Ramirez	.	

FOREIGN PATENT DOCUMENTS

2112190	9/1972	Germany	220/339
---------	--------	---------	-------	---------

OTHER PUBLICATIONS

Brochure—Sharps—A—Gator—Sharps Collection and Disposal System, Two Gallon Tortuous Path Container, 1994—1 page.

Brochure—Sharps—A—Gator—Sharps Collection and Disposal System, Point—Of—Use Sharps Containers, 1995, 1 page.

Brochure—Sharps—A—Gator—Sharps Collection and Disposal System, Ten Gallon Infectious Waste Container, 1993, 1 page.

Primary Examiner—Louis S. Zarfes

Assistant Examiner—G. Andoll

Attorney, Agent, or Firm—Lyon & Lyon LLP

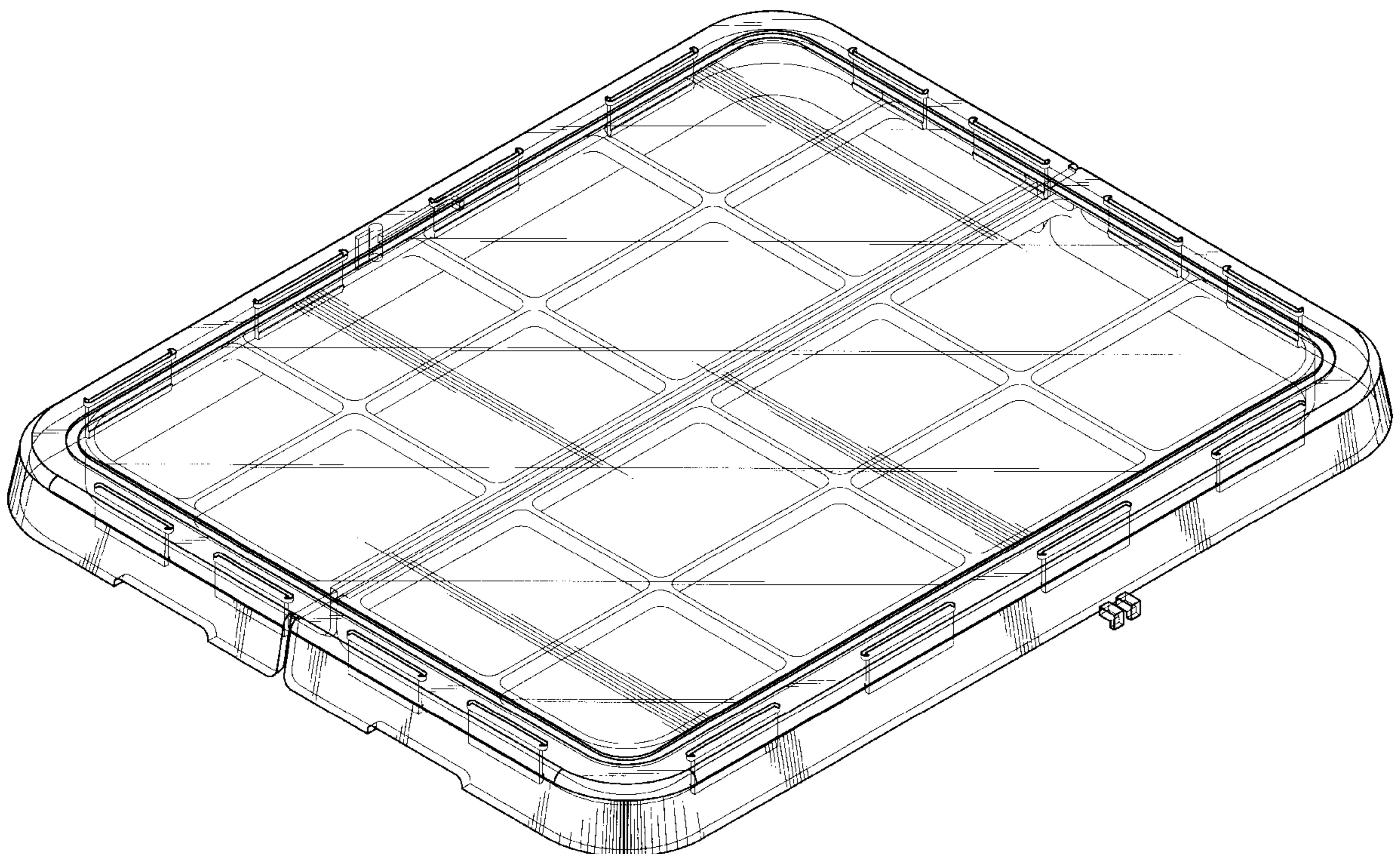
[57] **CLAIM**

The ornamental design for a medical waste disposal container lid, as shown and described.

DESCRIPTION

FIG. 1 is a top, front and left perspective view of the medical waste disposal container lid, showing our new design; FIG. 2 is a bottom front and right perspective view thereof; FIG. 3 is a bottom view thereof; FIG. 4 is a left side view thereof; FIG. 5 is a rear view thereof; FIG. 6 is a front view thereof; FIG. 7 is a right side view thereof; FIG. 8 is an enlarged partial cross sectional view taken along line 8—8 of FIG. 3; and, FIG. 9 is an enlarged partial cross sectional view taken along line 9—9 of FIG. 3.

1 Claim, 4 Drawing Sheets



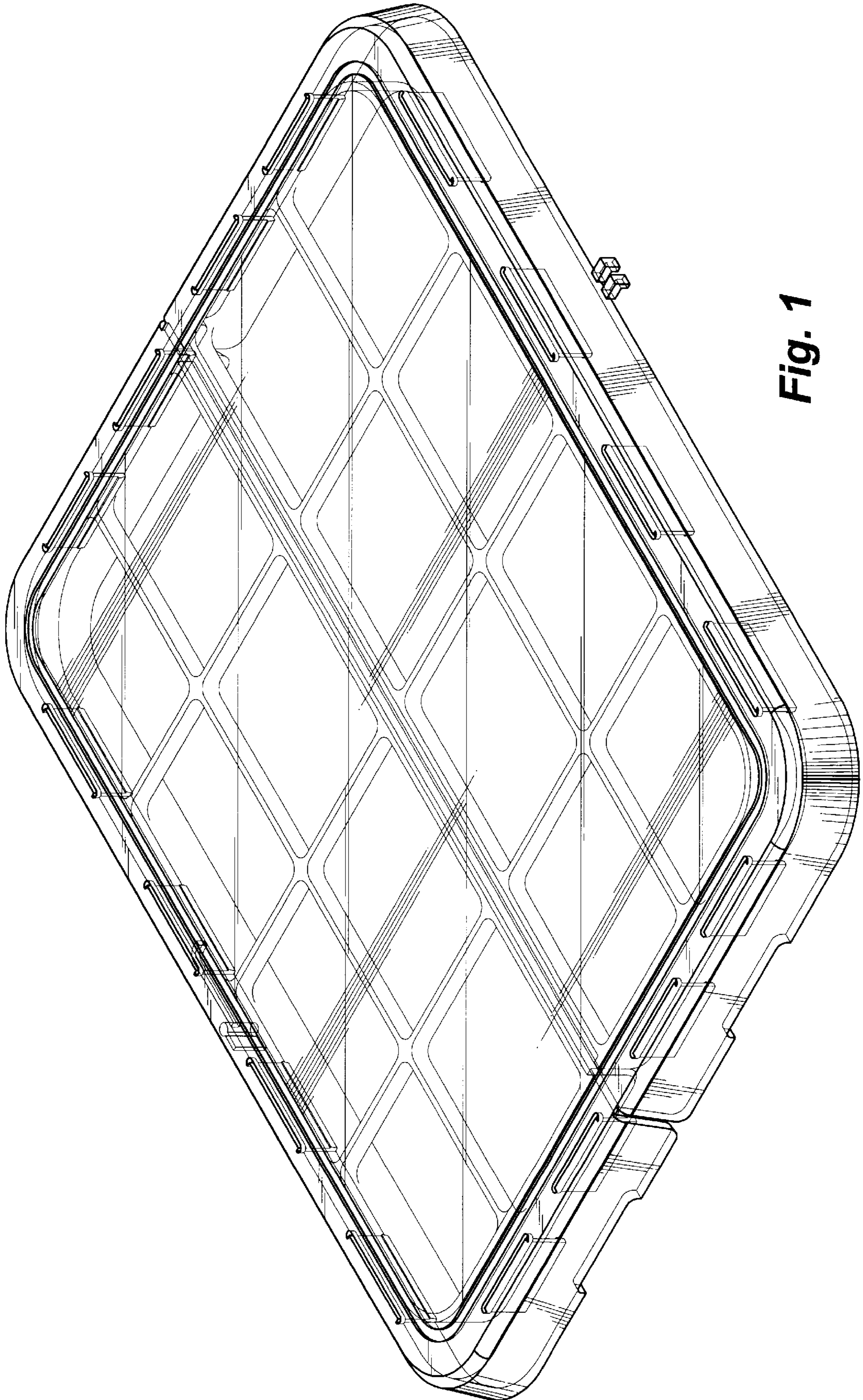


Fig. 1

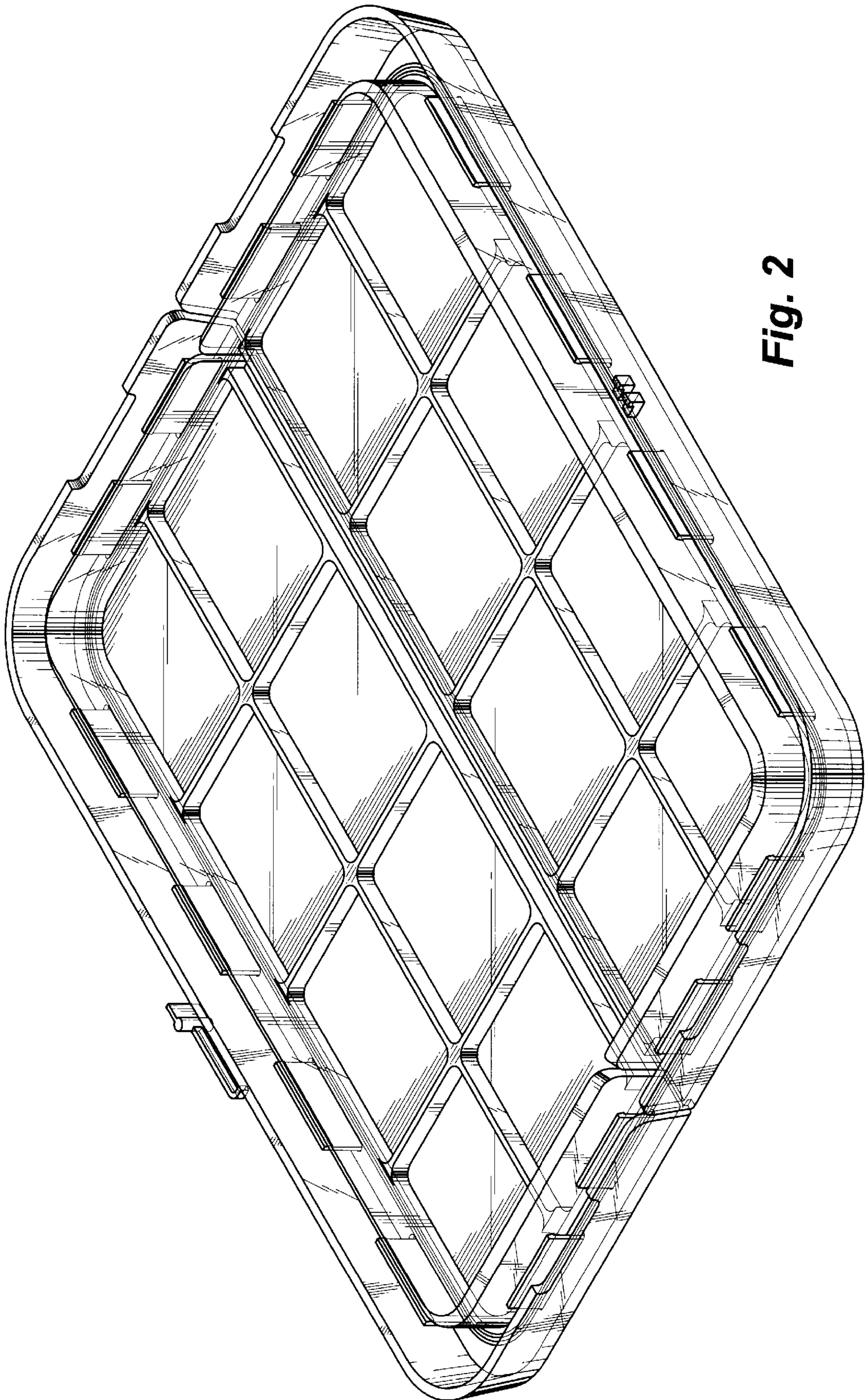


Fig. 2

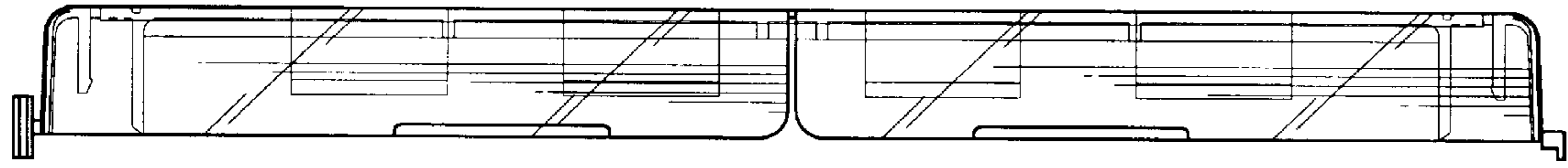


Fig. 4

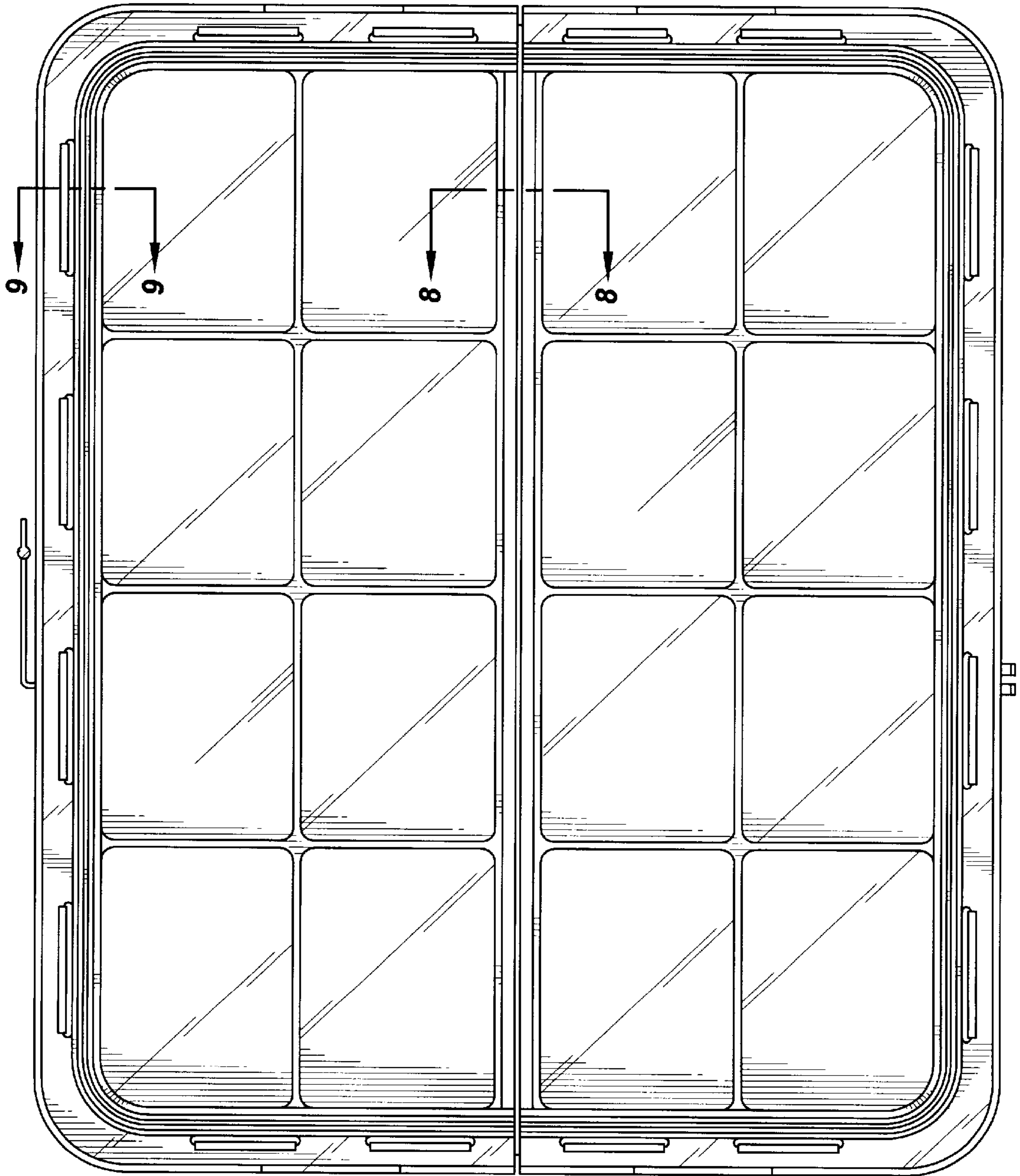


Fig. 3

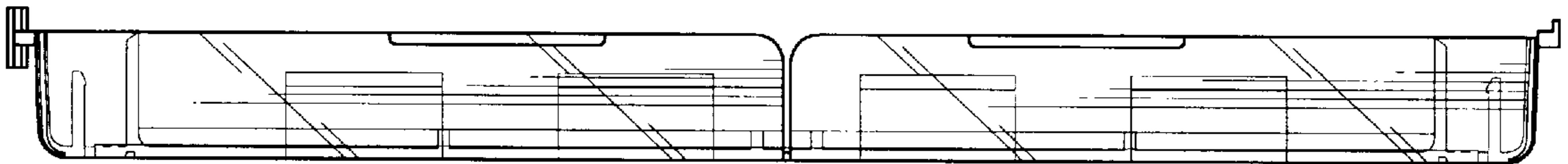


Fig. 7

Fig. 5

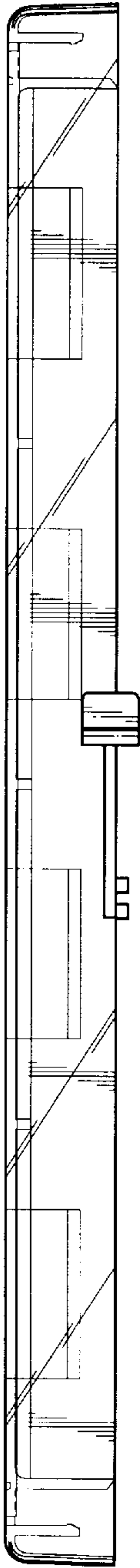


Fig. 6

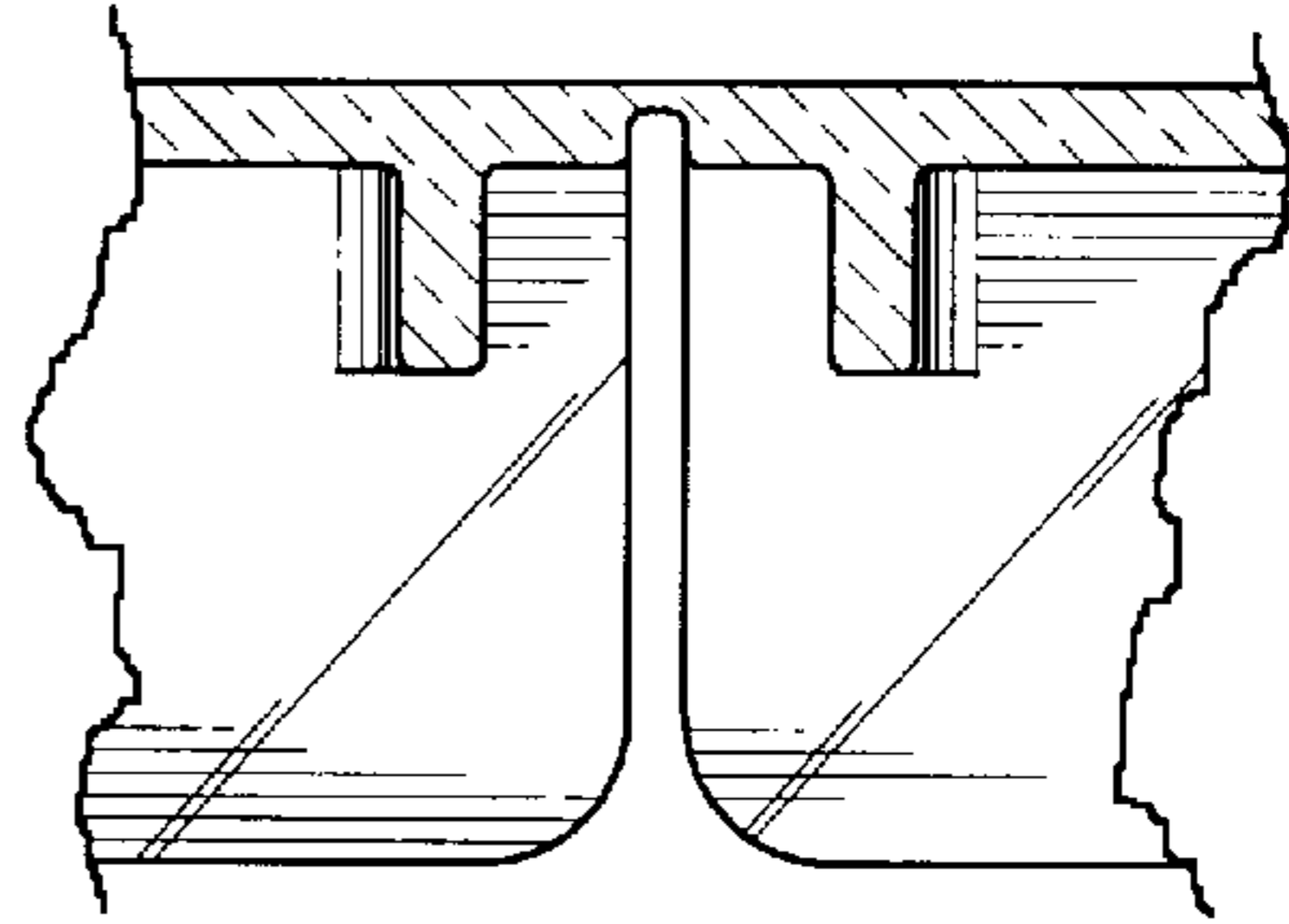
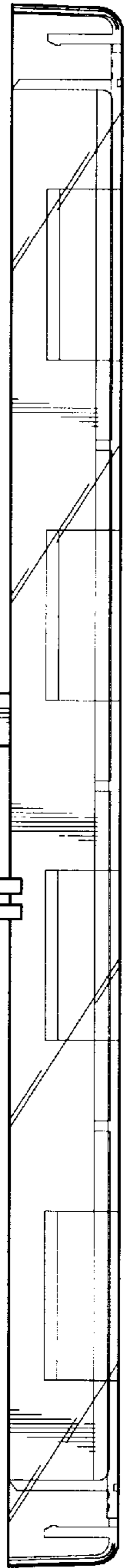


Fig. 8

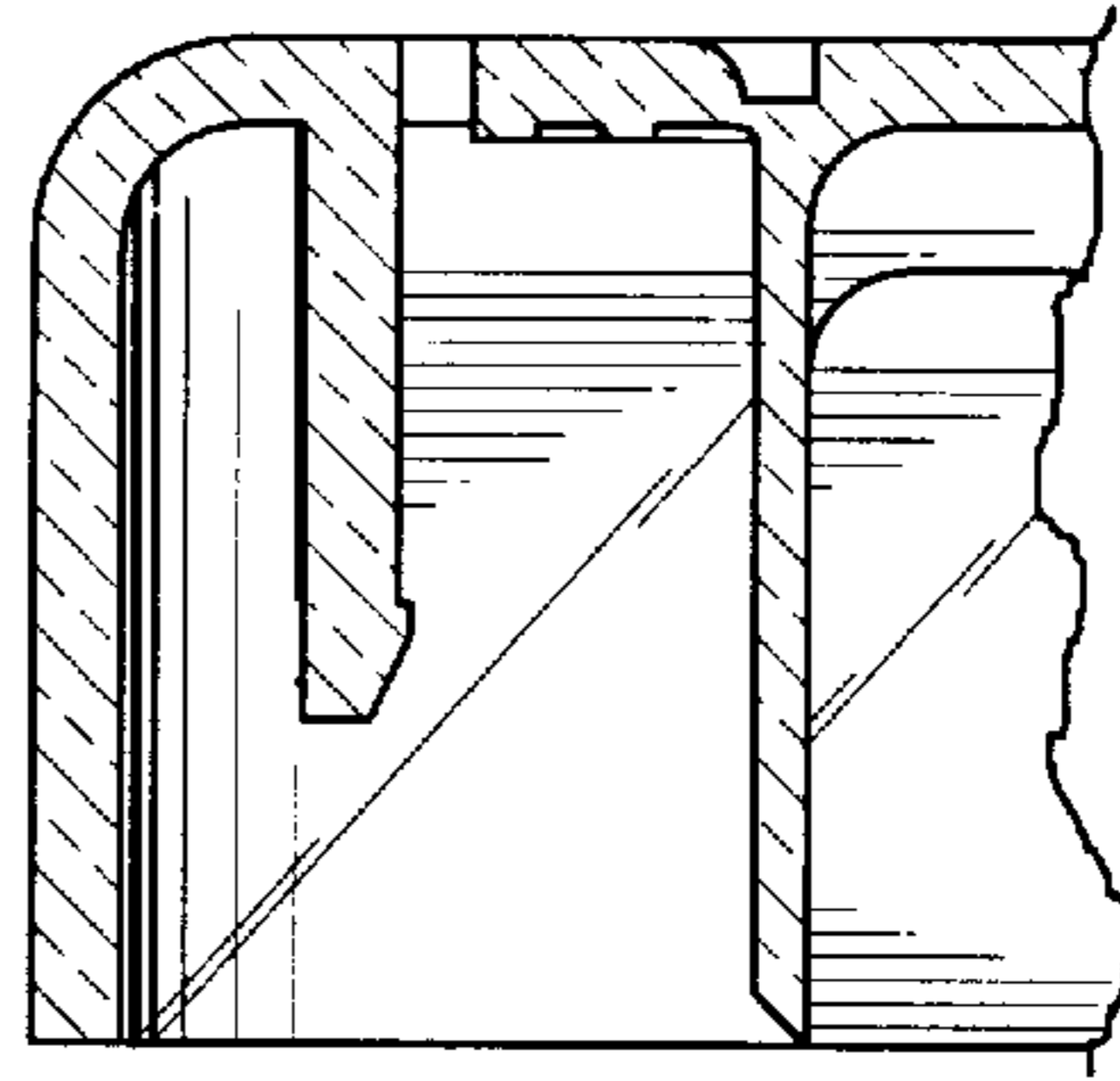


Fig. 9