



US00D404481S

United States Patent [19] Schwegman

[11] **Patent Number: Des. 404,481**

[45] **Date of Patent: **Jan. 19, 1999**

[54] **COMBINED BREATHABLE GAS CONTAINER AND CARRYING HARNESS FOR A SELF-CONTAINED BREATHING APPARATUS**

[75] Inventor: **Henri Schwegman**, Ponteland, England

[73] Assignee: **Draeger Limited**, United Kingdom

[**] Term: **14 Years**

[21] Appl. No.: **47,636**

[22] Filed: **Dec. 8, 1995**

[30] **Foreign Application Priority Data**

Jun. 9, 1995 [GB] United Kingdom 2048064

[51] **LOC (6) Cl.** **29-02**

[52] **U.S. Cl.** **D24/110**

[58] **Field of Search** D24/110.6, 110, D24/110.5; 128/201.27, 205.22, 205.25, 205.27, 205.28, 205.29, 206.15, 205.17, 204.18, 200.24, 200.28, 201.22

[56] **References Cited**

U.S. PATENT DOCUMENTS

D. 205,487	8/1966	Goldwater	D24/110
D. 251,622	4/1979	Garrison et al.	D24/110.5
D. 321,956	11/1991	Williamson	D24/110.5
4,331,141	5/1982	Pokhis	128/205.22 X
4,494,538	1/1985	Ansite	128/205.25
4,582,054	4/1986	Ferrer	128/205.25 X
4,938,211	7/1990	Tukahashi et al.	128/207.14 X
5,243,972	9/1993	Huang	128/205.22 X
5,429,125	7/1995	Wagner et al.	128/204.18 X

FOREIGN PATENT DOCUMENTS

485203 10/1953 Italy 128/201.11

Primary Examiner—Stella Reid
Attorney, Agent, or Firm—D. Peter Hochberg; Mark Kusner

[57] **CLAIM**

The ornamental design for a combined breathable gas container and carrying harness for a self-contained breathing apparatus, as shown and described.

DESCRIPTION

FIG. 1 is a rear perspective view of the combined breathable gas container and carrying harness for a self-contained breathing apparatus embodying my new design;

FIG. 2 is a front perspective view of the combined breathable gas container and carrying harness for a self-contained breathing apparatus shown in FIG. 1;

FIG. 3 is a side view of the combined breathable gas container and carrying harness for a self-contained breathing apparatus shown in FIG. 1;

FIG. 4 is a rear view of the combined breathable gas container and carrying harness for a self-contained breathing apparatus shown in FIG. 1;

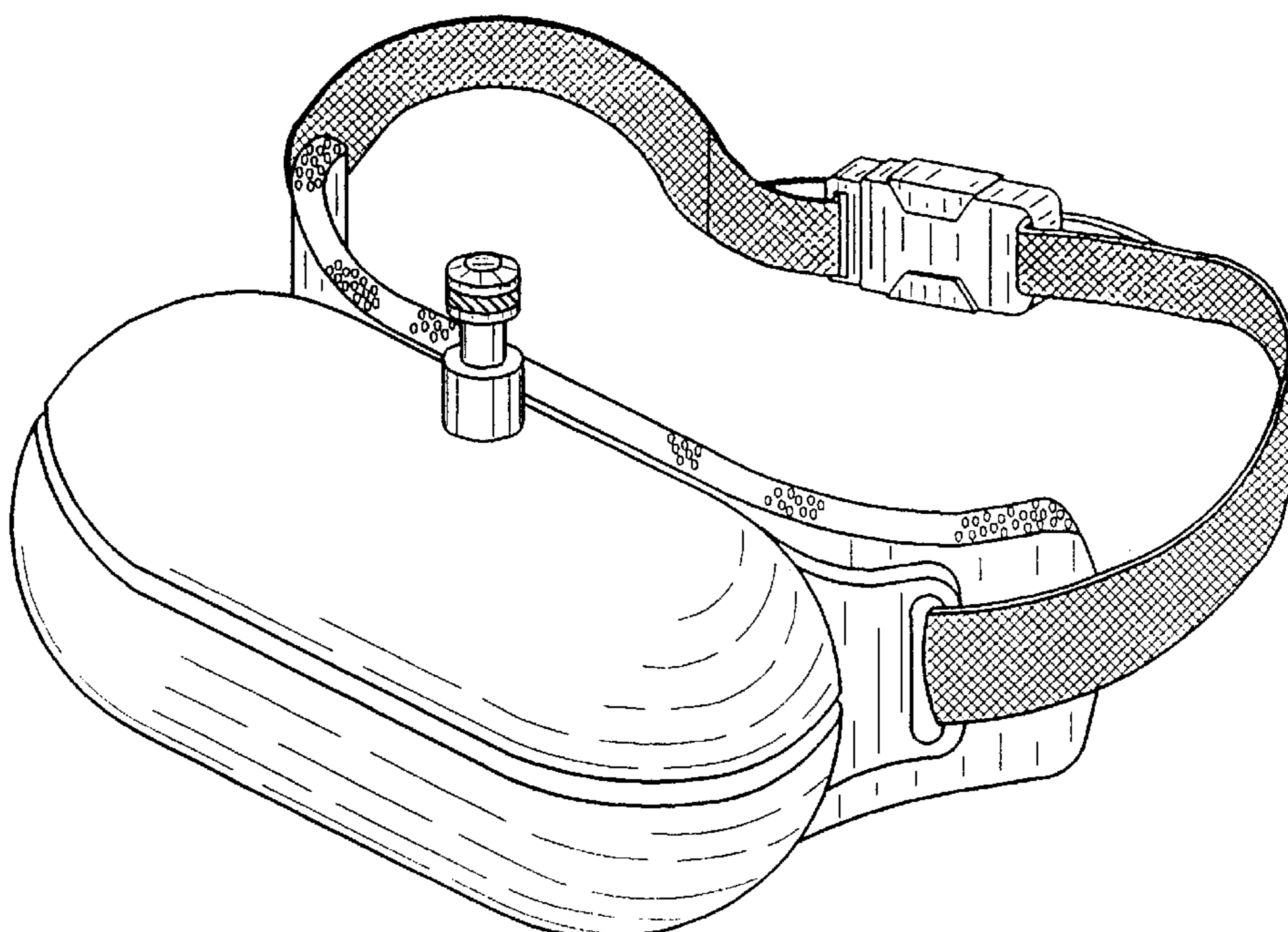
FIG. 5 is a front view of the combined breathable gas container and carrying harness for a self-contained breathing apparatus shown in FIG. 1;

FIG. 6 is a side view of the combined breathable gas container and carrying harness for a self-contained breathing apparatus shown in FIG. 1, on the opposite side from that shown in FIG. 3;

FIG. 7 is a top view of the combined breathable gas container and carrying harness for a self-contained breathing apparatus shown in FIG. 1; and,

FIG. 8 is a bottom view of the combined breathable gas container and carrying harness for a self-contained breathing apparatus shown in FIG. 1.

1 Claim, 5 Drawing Sheets



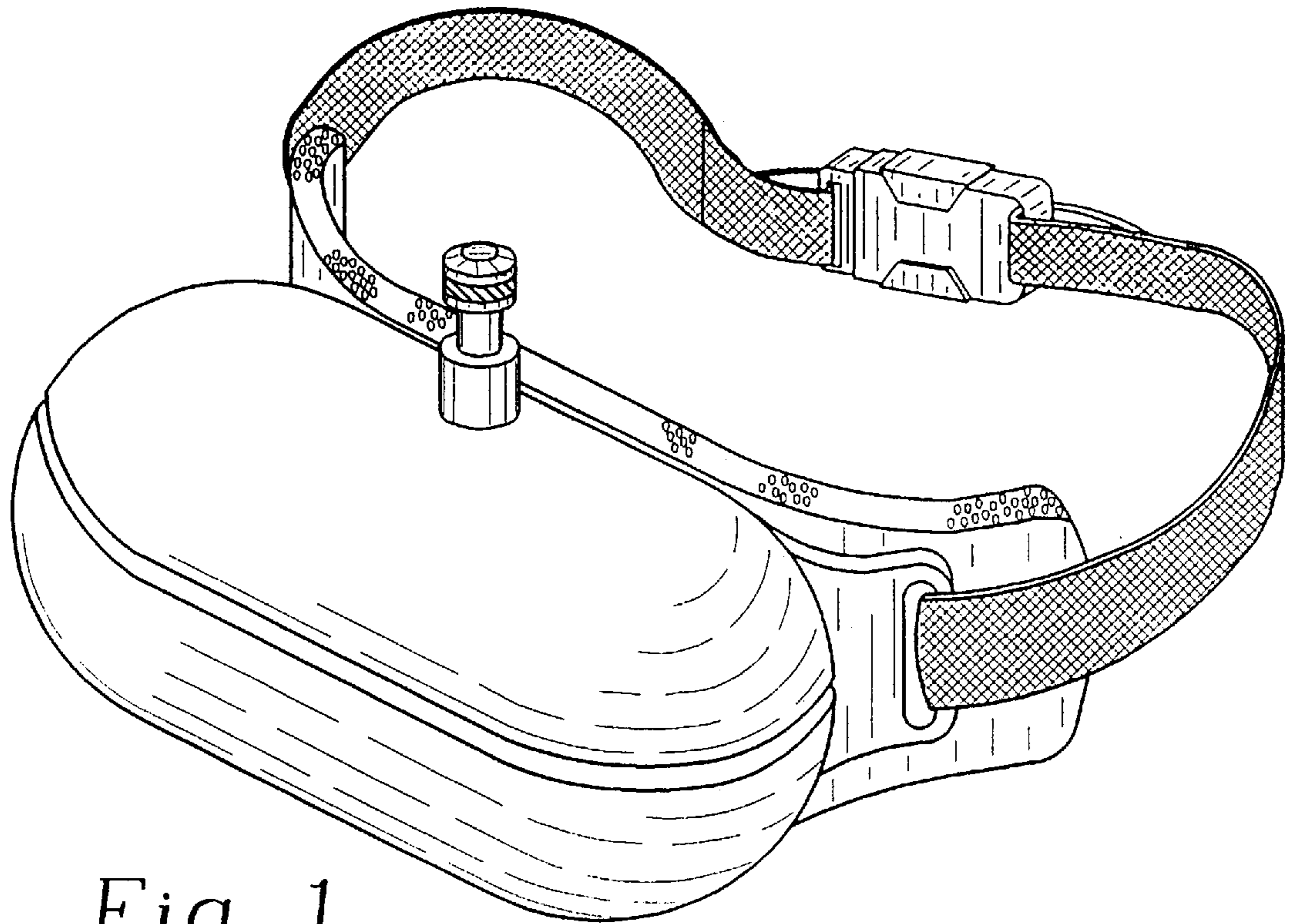


Fig. 1

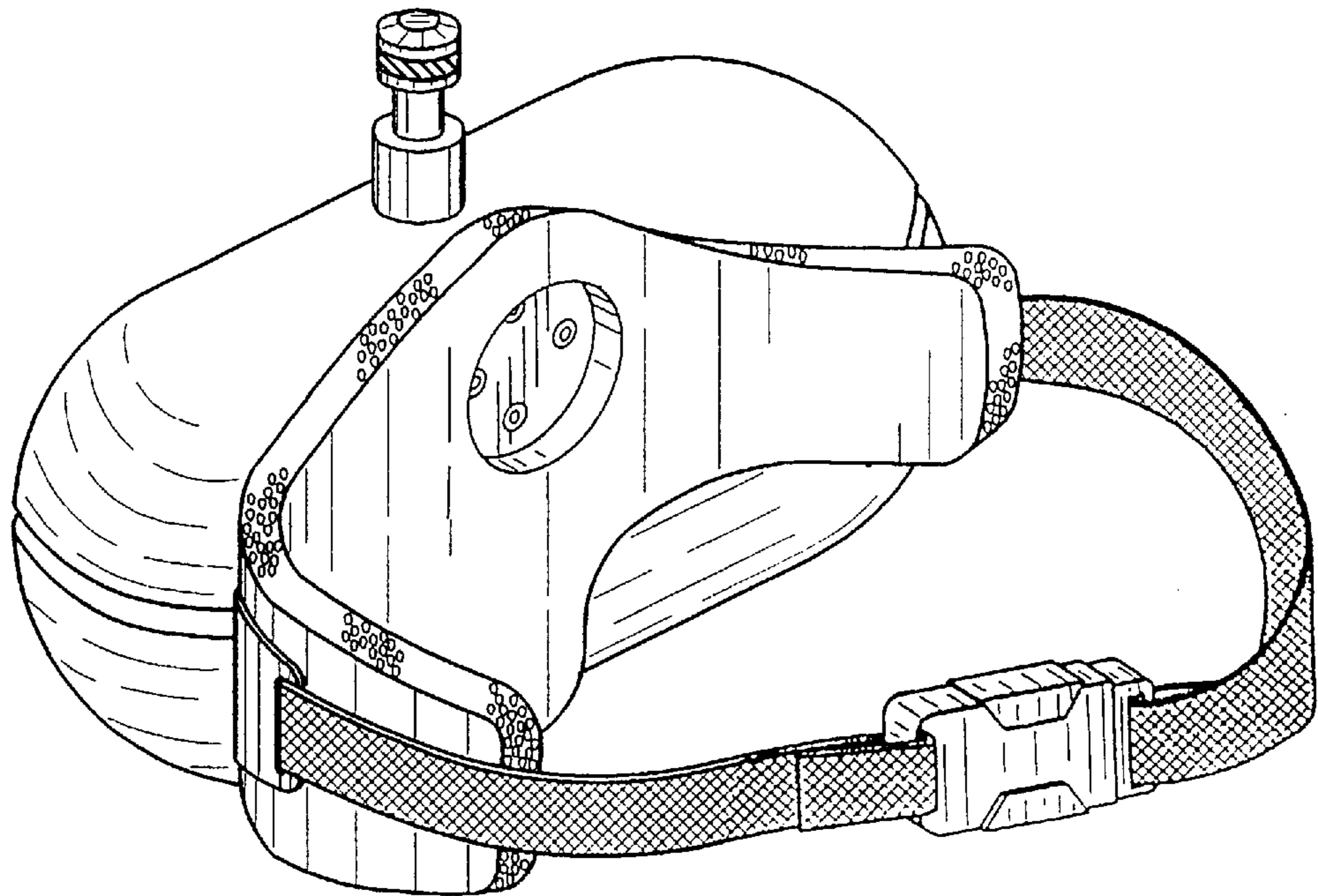


Fig. 2

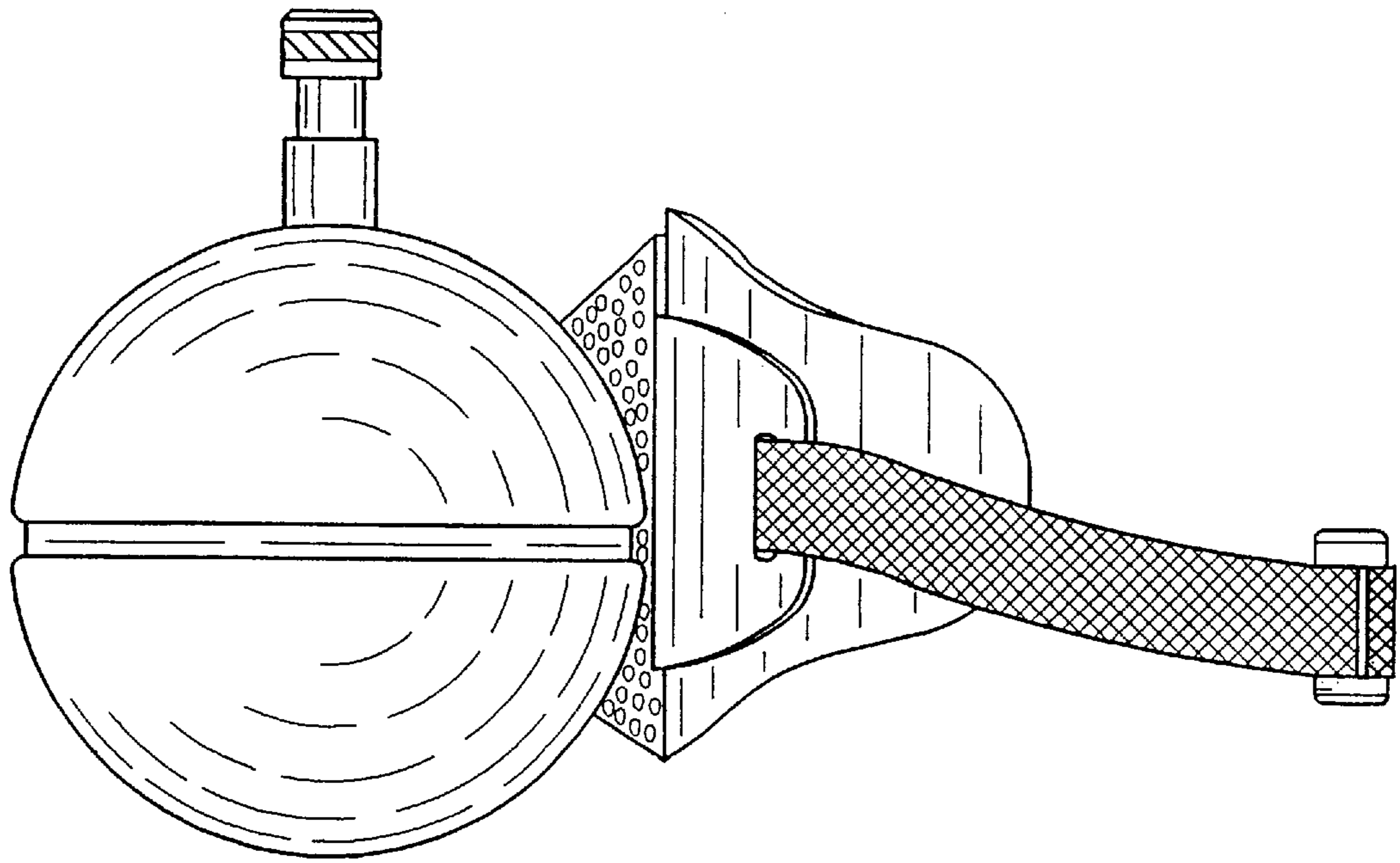


Fig. 3

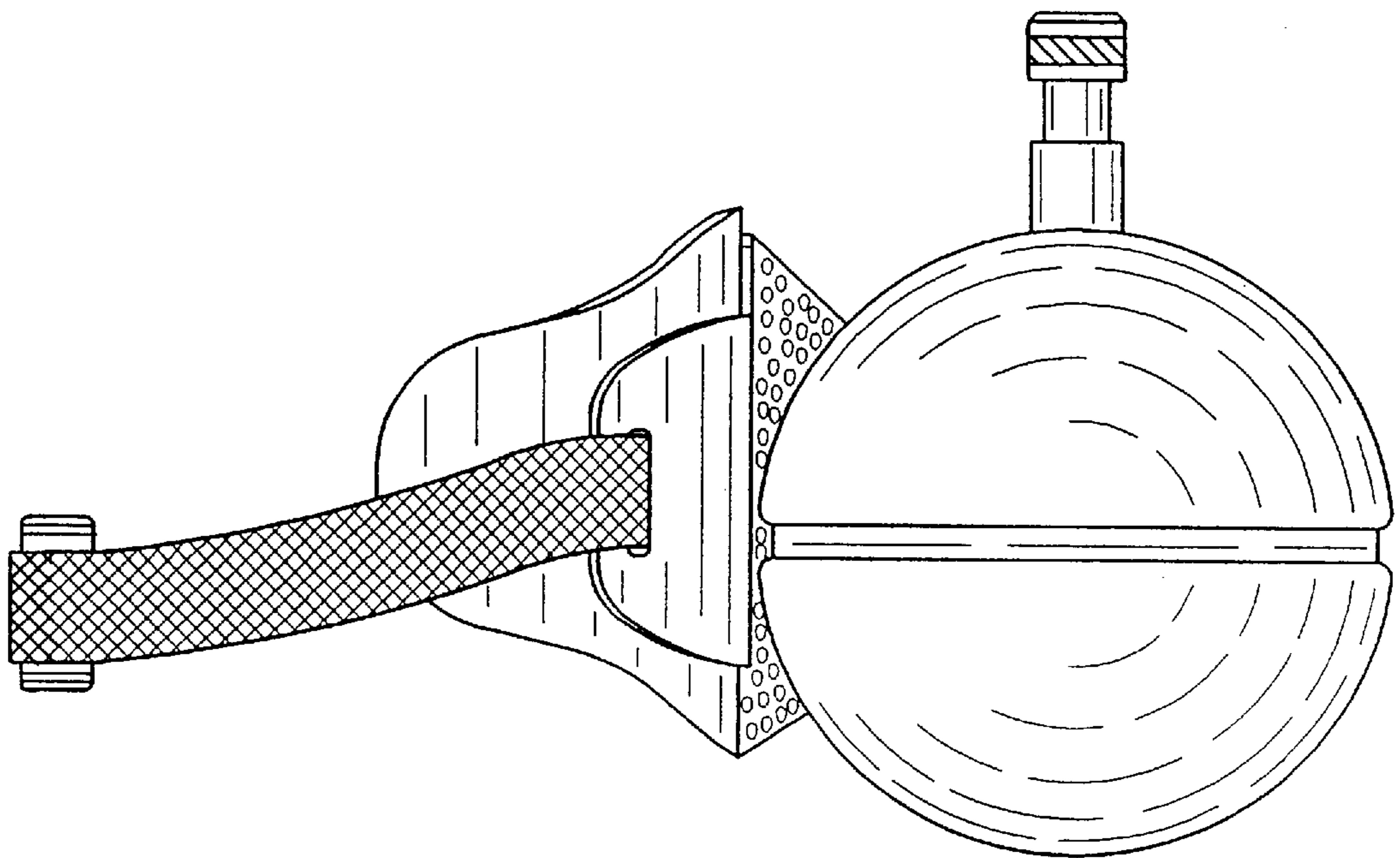


Fig. 6

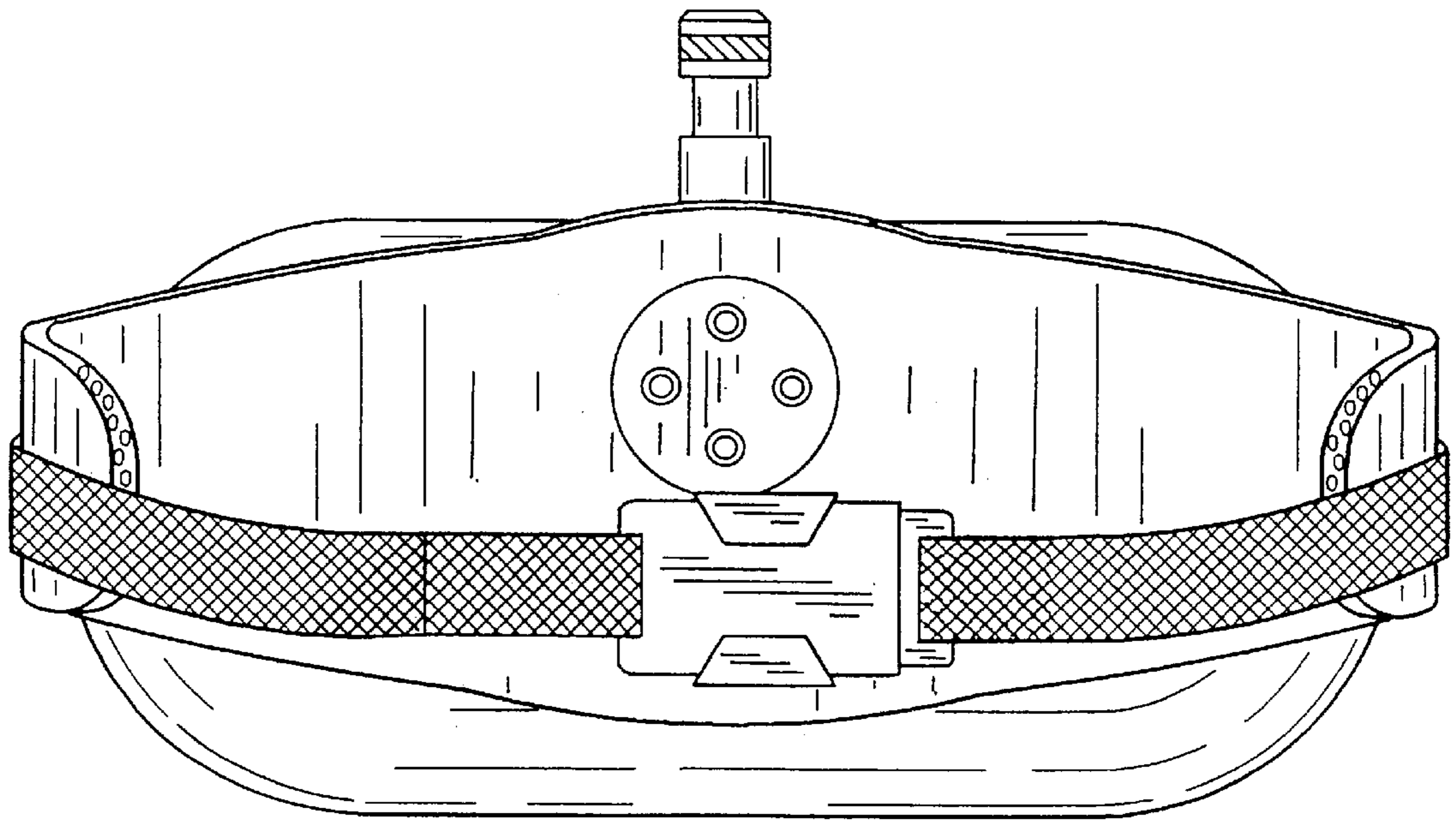


Fig. 5

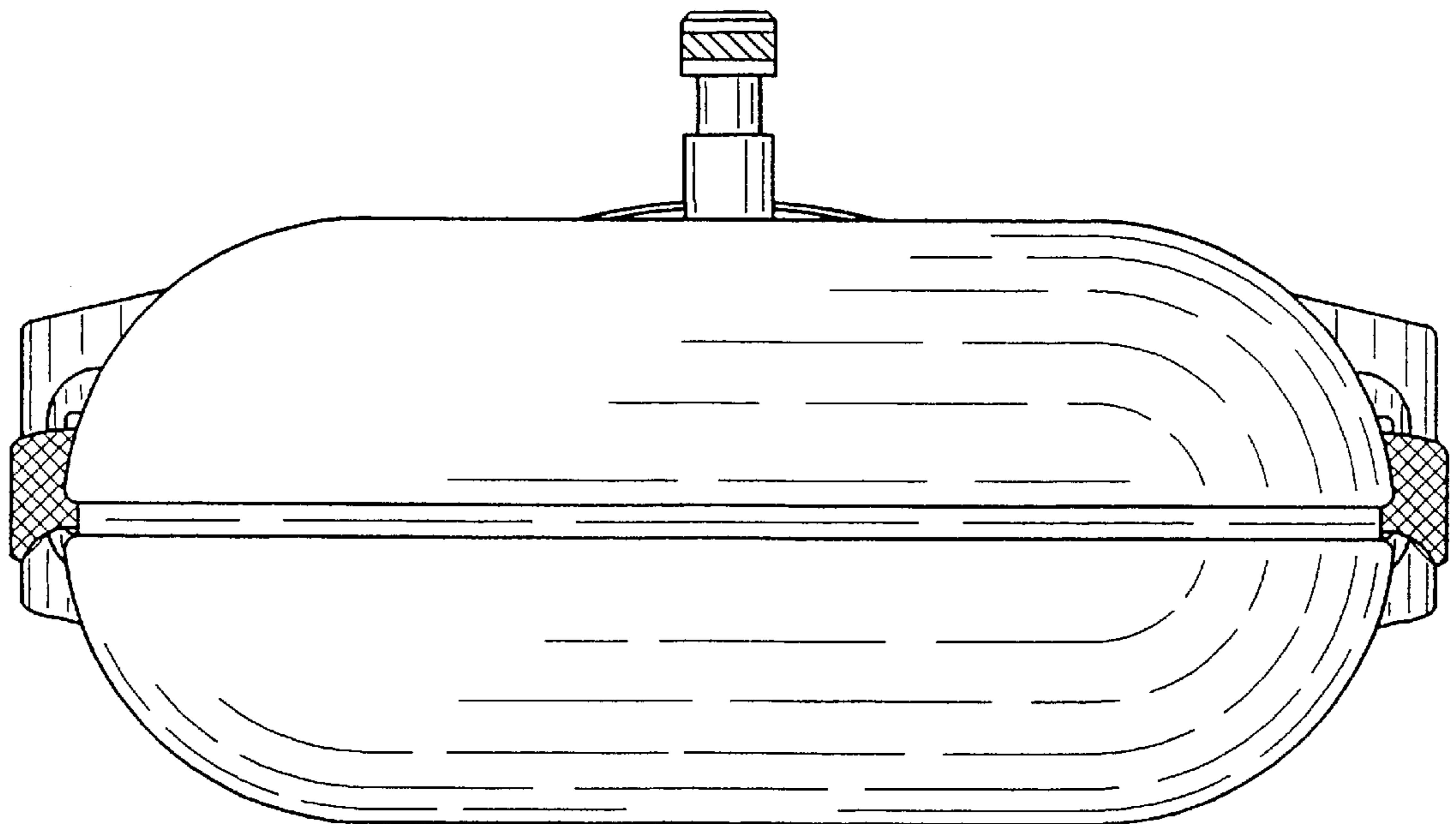


Fig. 4

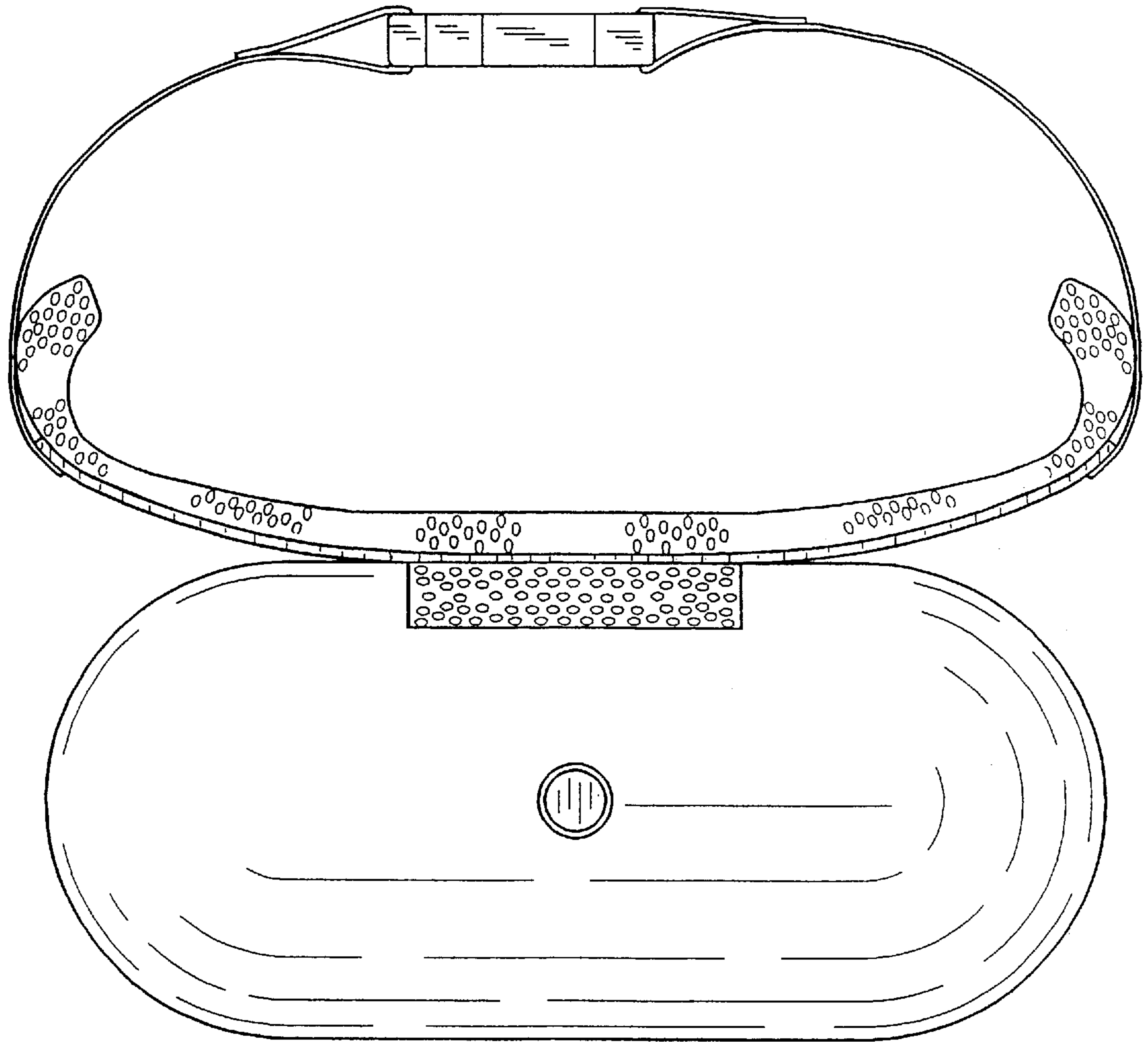


Fig. 7

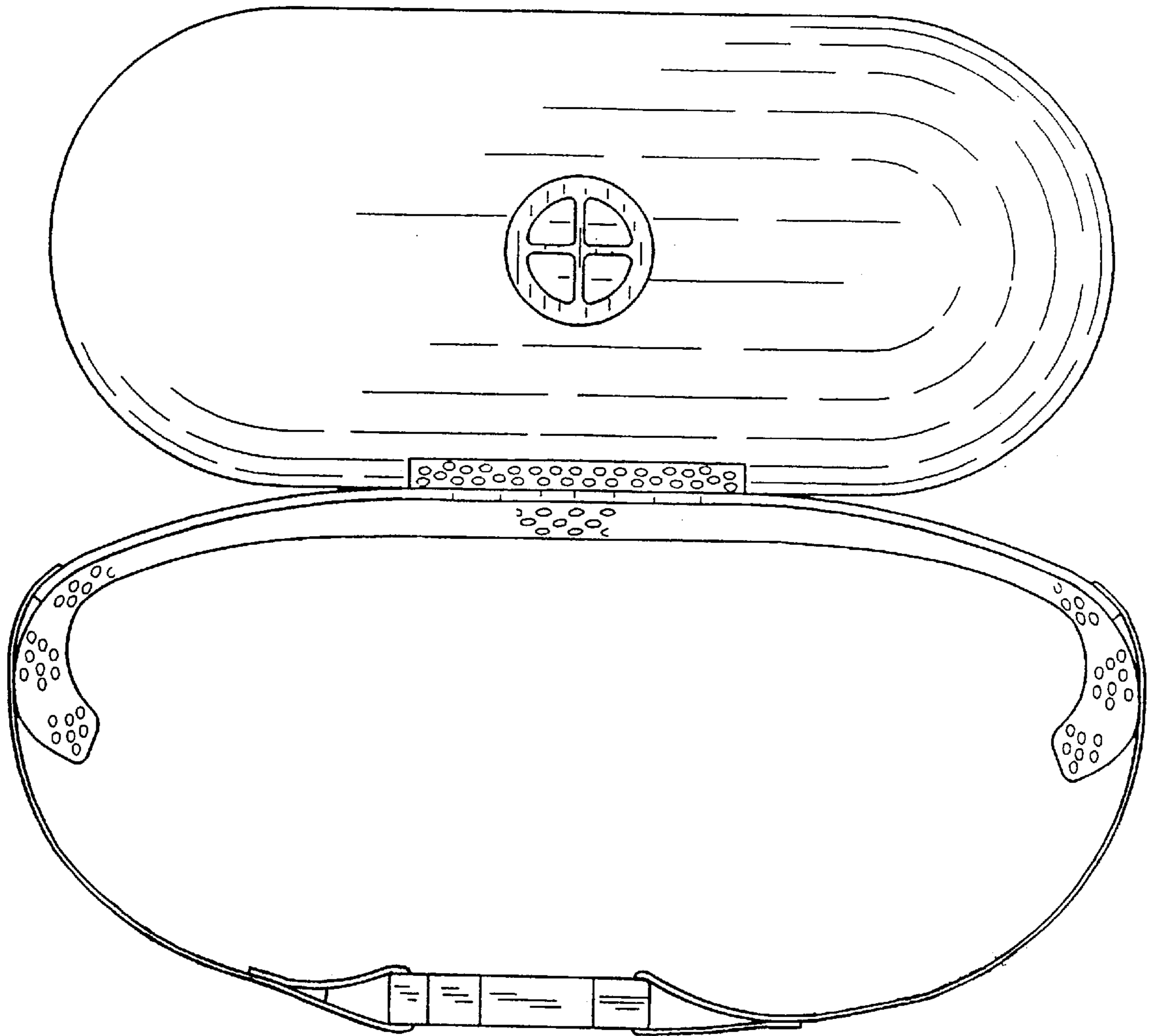


Fig. 8