



US00D404480S

United States Patent [19]
Liu

[11] **Patent Number: Des. 404,480**

[45] **Date of Patent: **Jan. 19, 1999**

- [54] **CEILING FAN BLADE HOLDER**
- [75] Inventor: **Chen-Tze Liu**, Feng Yuan, Taiwan
- [73] Assignee: **Pan Air Electric Co., Ltd.**, Taichung Hsien, Taiwan
- [**] Term: **14 Years**
- [21] Appl. No.: **83,088**
- [22] Filed: **Feb. 5, 1998**
- [51] **LOC (6) Cl.** **23-04**
- [52] **U.S. Cl.** **D23/411; D23/377; 223/413**
- [58] **Field of Search** **D23/411, 413, D23/377, 379, 385; 416/5, 210 R**

- [56] **References Cited**
- U.S. PATENT DOCUMENTS**
- D. 377,392 1/1997 Liu D23/413
- D. 377,681 1/1997 Jaspers-Fayer D23/379

Primary Examiner—Lisa Lichtenstein
Attorney, Agent, or Firm—Rosenberg, Klein & Bilker

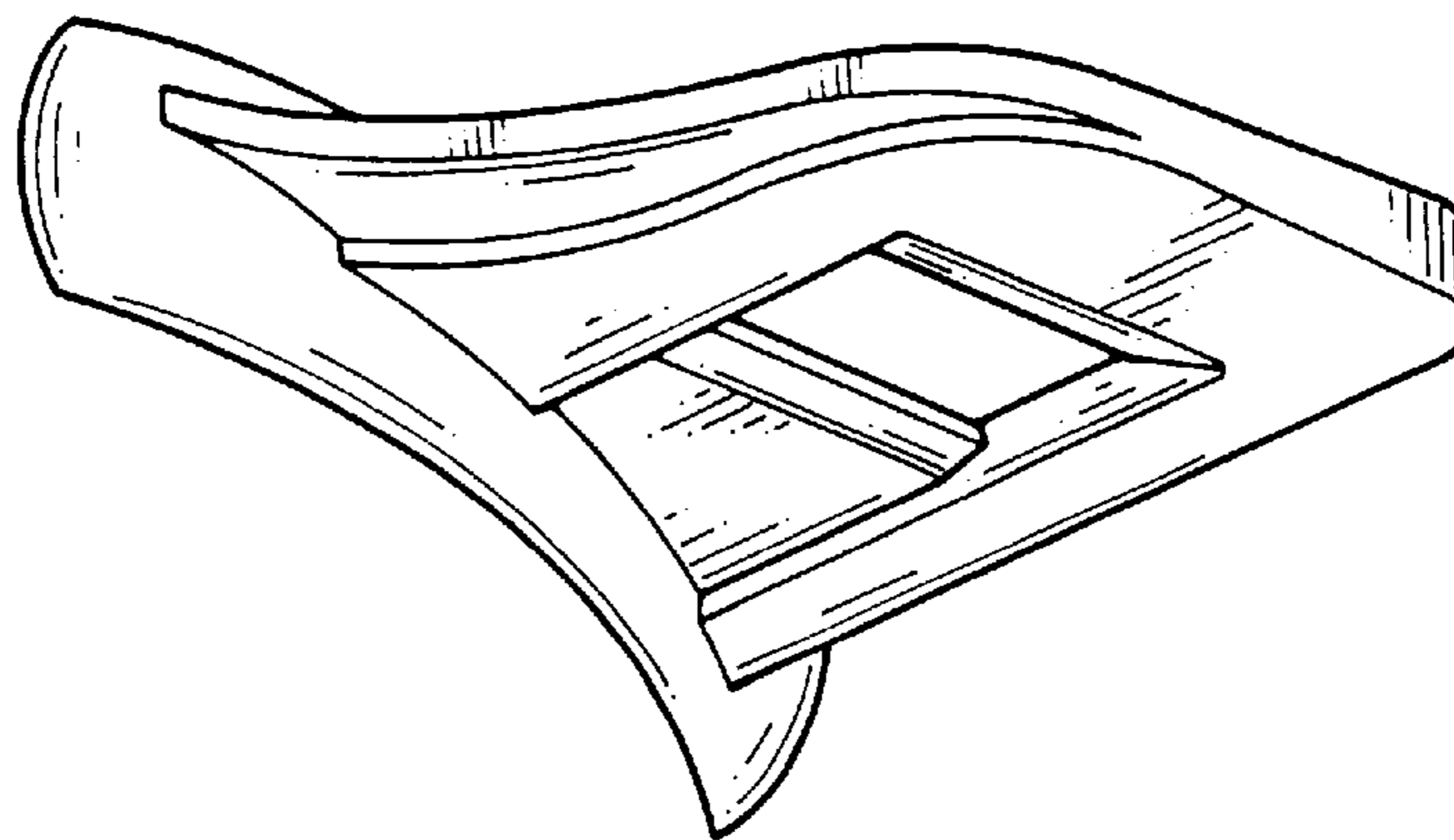
[57] **CLAIM**

The ornamental design for a ceiling fan blade holder, as shown and described.

DESCRIPTION

FIG. 1 is a front-right-top perspective view of a ceiling fan blade holder, showing my new design; FIG. 2 is a front elevational view thereof; FIG. 3 is a rear elevational view thereof; FIG. 4 is a left elevational view thereof; FIG. 5 is a right elevational view thereof; FIG. 6 is a top plan view thereof; FIG. 7 is a bottom plan view thereof; and, FIG. 8 is a front, right, top perspective view thereof on a reduced scale, the broken-line showing of environmental structure being for illustrative purposes only and forming no part of the claimed design.

1 Claim, 5 Drawing Sheets



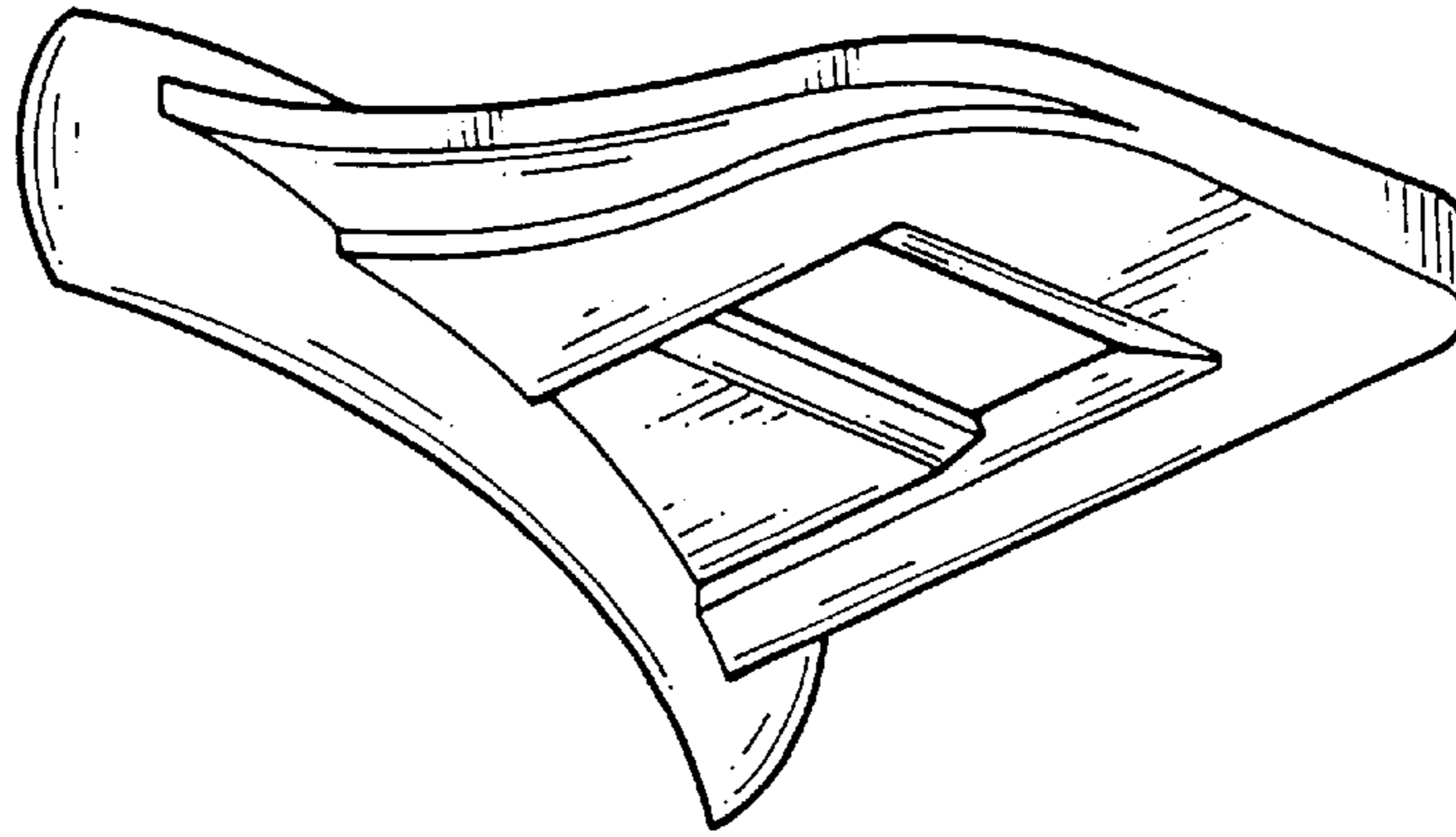


FIG. 1

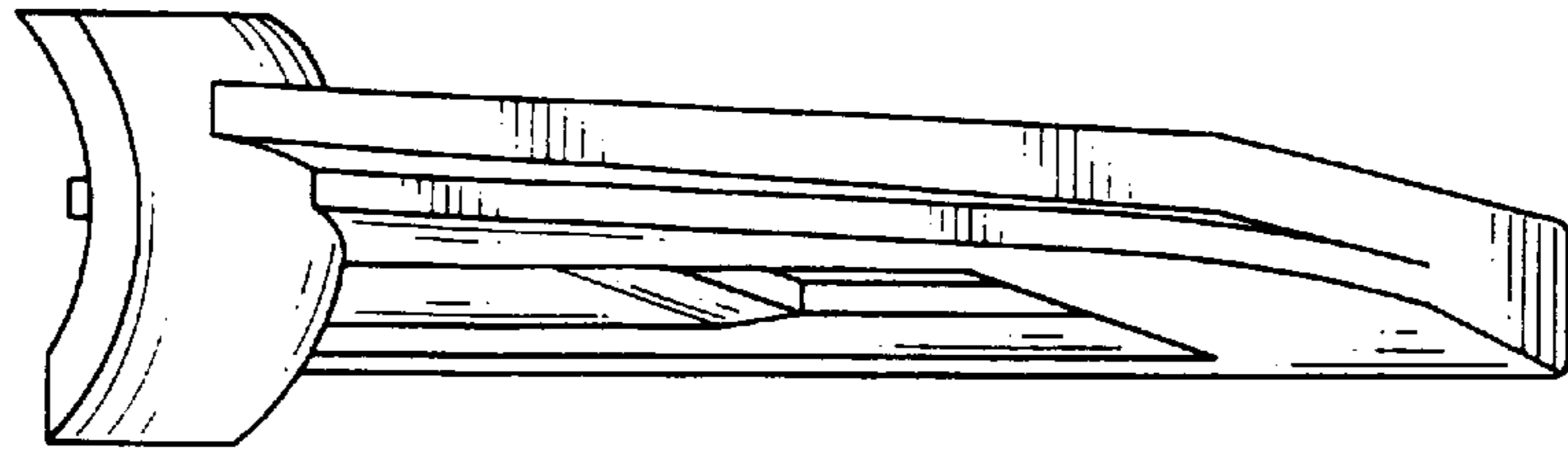


FIG. 2

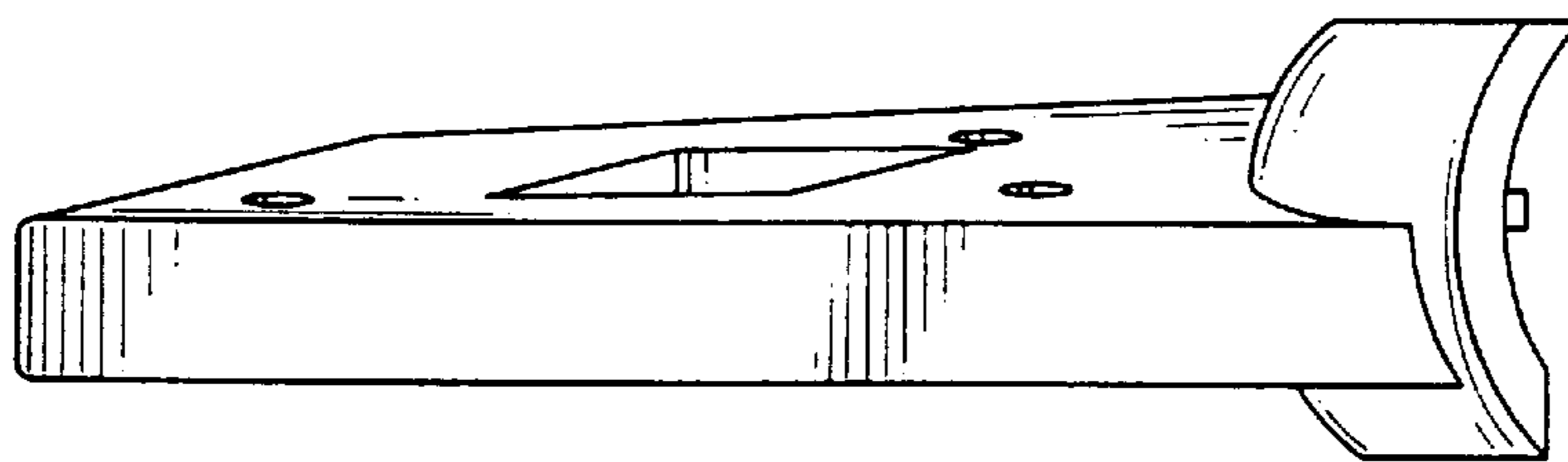


FIG. 3

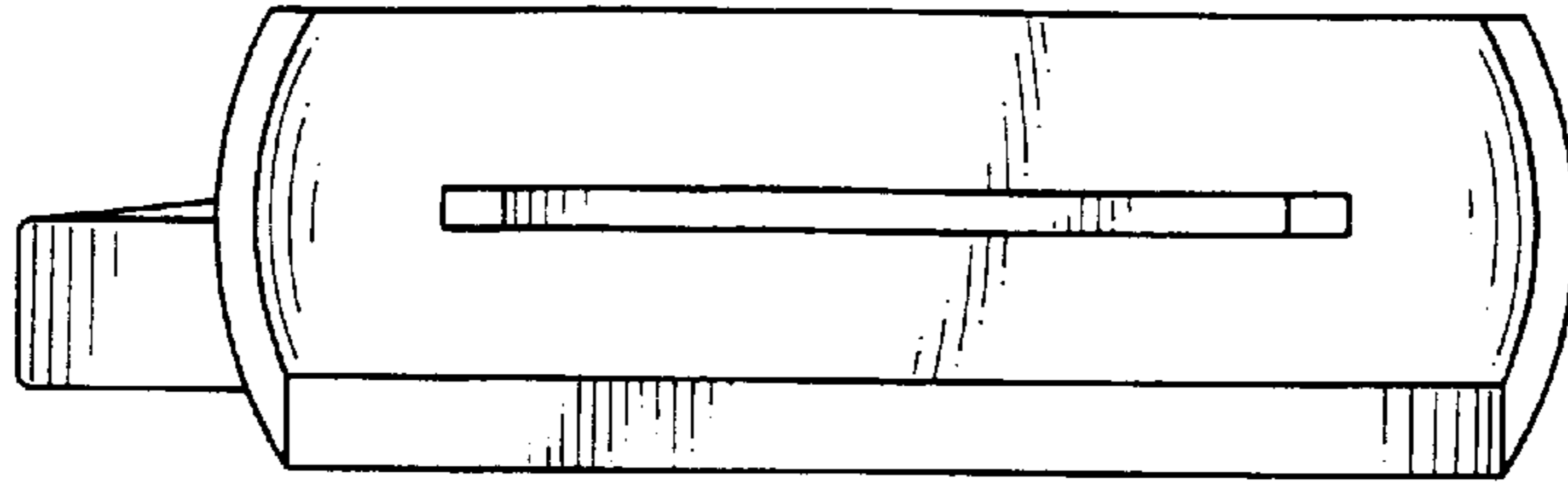


FIG. 4

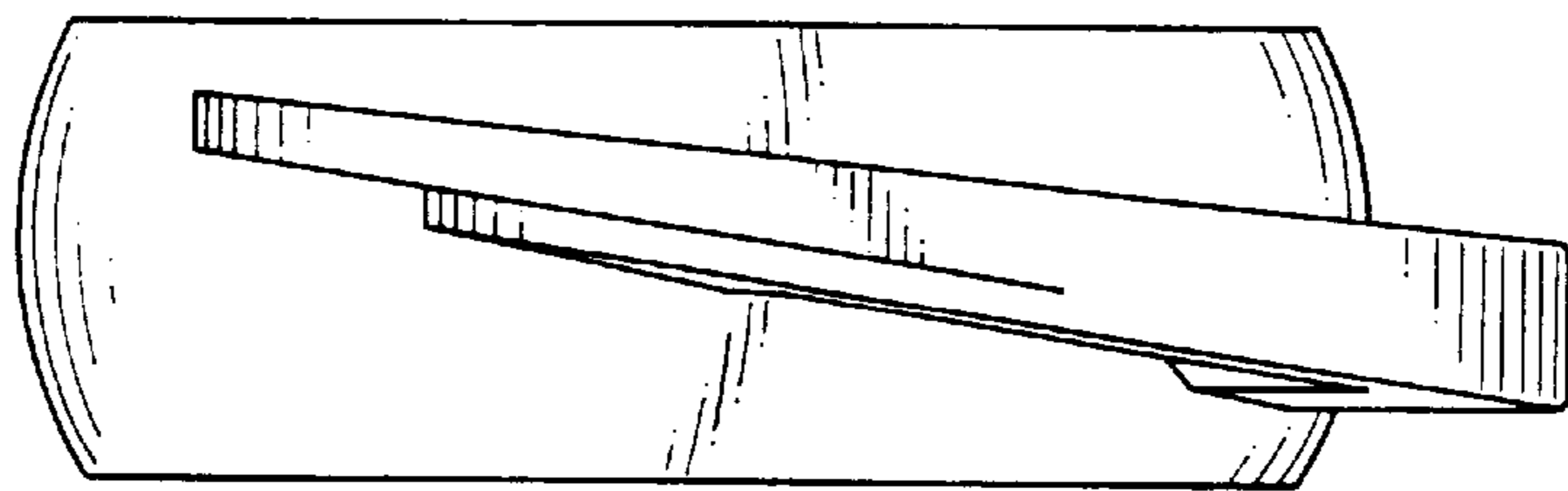


FIG. 5

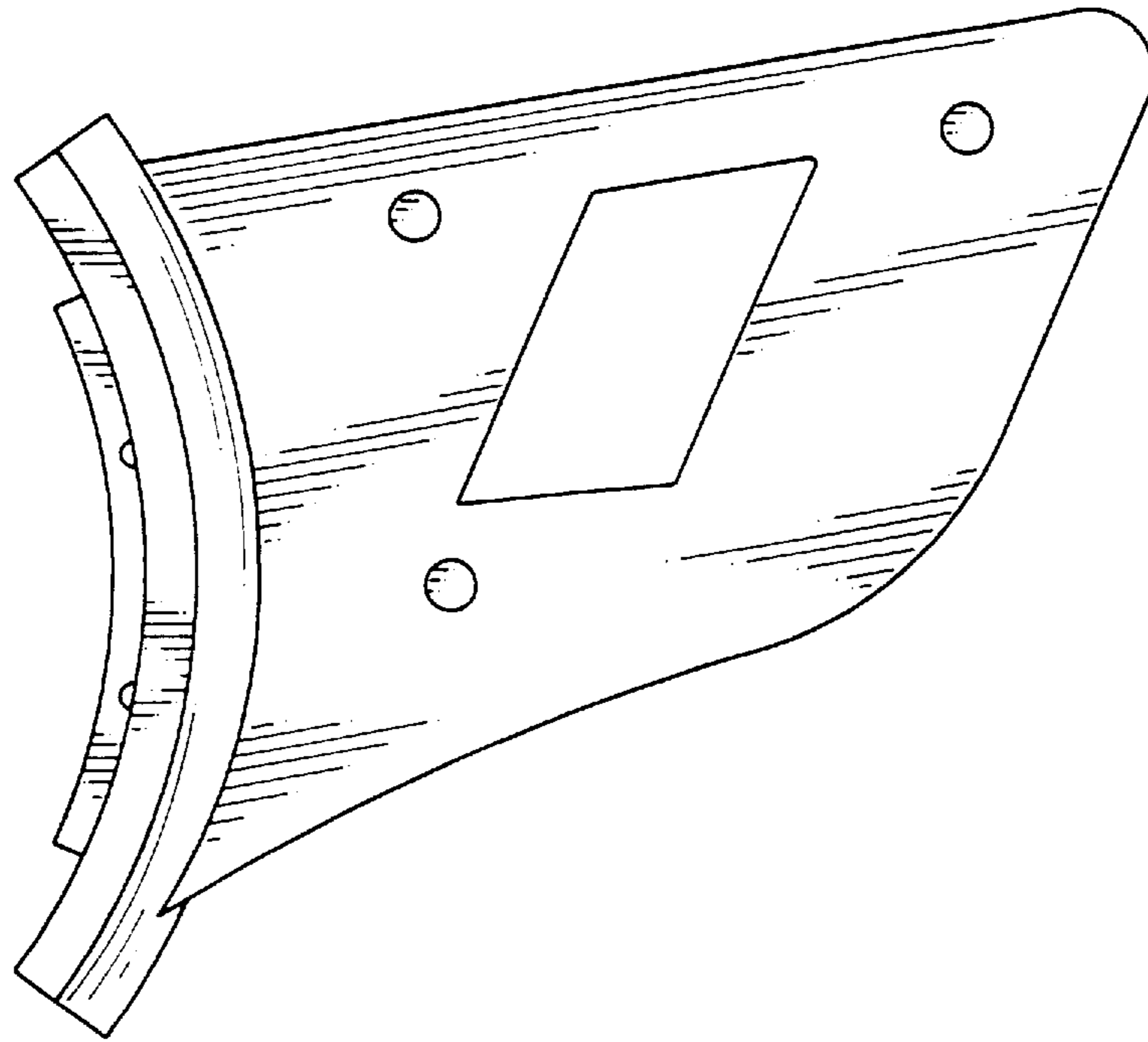


FIG. 6

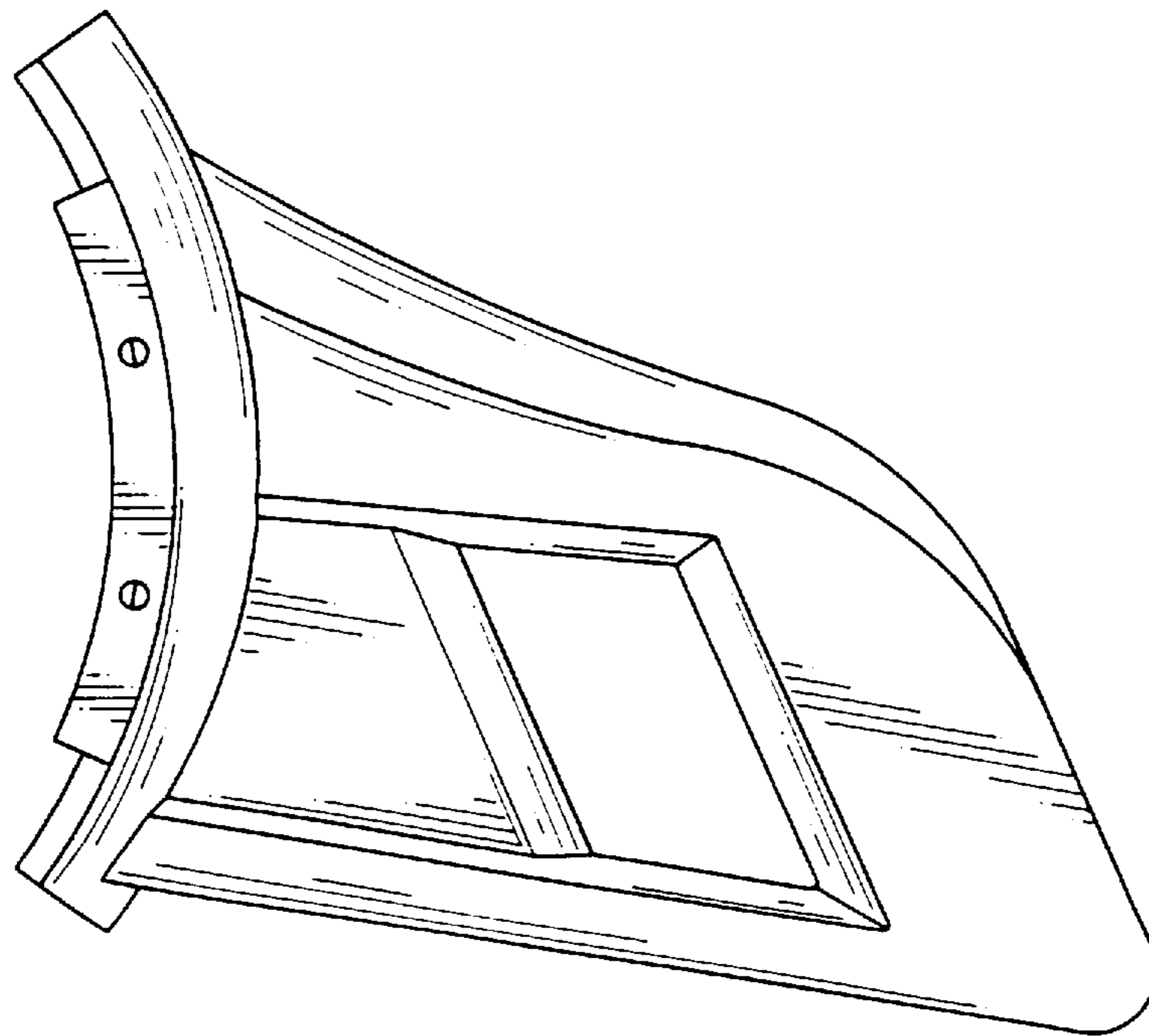


FIG. 7

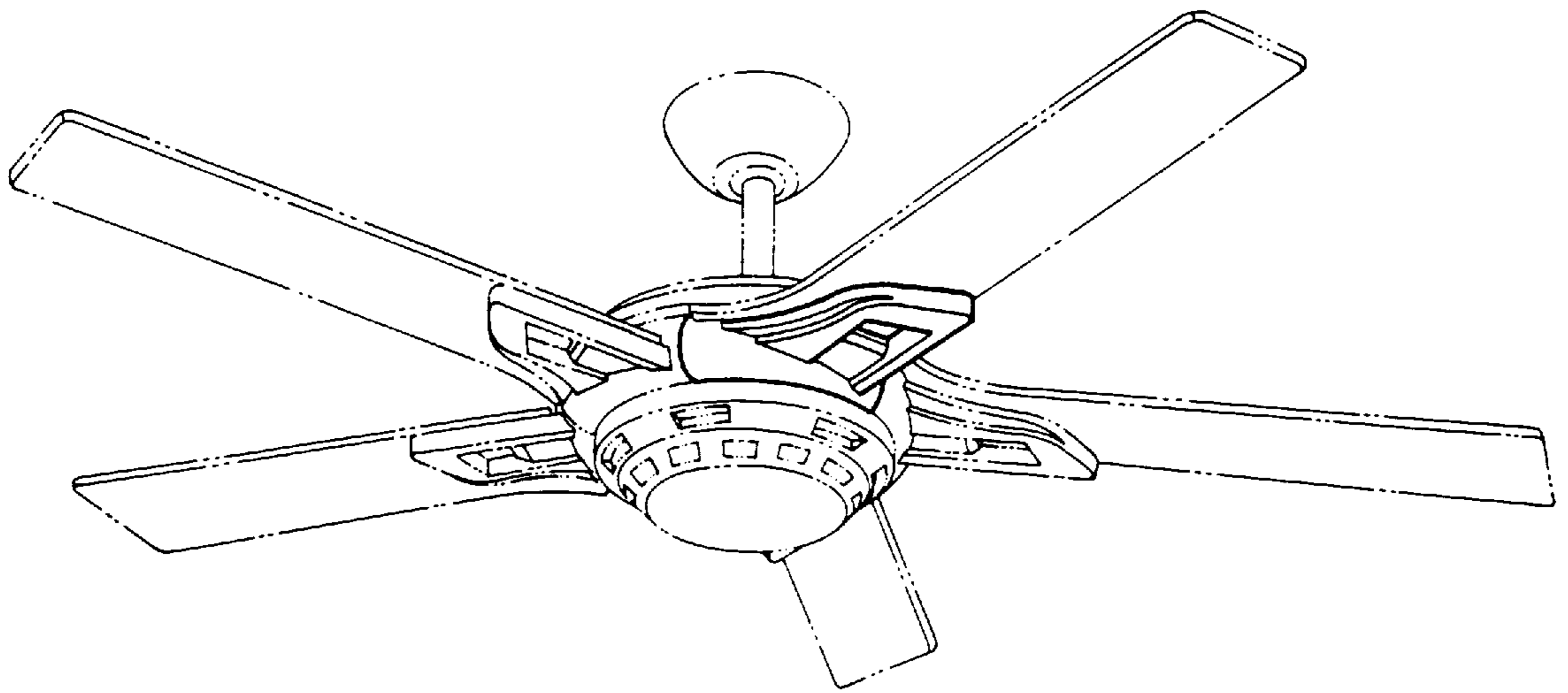


FIG. 8