



US00D404479S

United States Patent [19] Yang

[11] **Patent Number: Des. 404,479**

[45] **Date of Patent: **Jan. 19, 1999**

[54] **CEILING FAN**

Attorney, Agent, or Firm—Michael Zarrabian

[76] Inventor: **Burni W. Yang**, 8542 Emerywood Dr., Buena Park, Calif. 90621

[57] **CLAIM**

[**] Term: **14 Years**

The ornamental design for a ceiling fan, as shown and described.

[21] Appl. No.: **81,851**

DESCRIPTION

[22] Filed: **Dec. 31, 1997**

[51] **LOC (6) Cl. 23-04**

FIG. 1 is a perspective view of a ceiling fan according to the present invention;

[52] **U.S. Cl. D23/377; D23/379; D23/385**

FIG. 2 is a top view of the ceiling fan of FIG. 1;

[58] **Field of Search D23/377, 379, D23/385, 411, 413; 416/5; 392/364; 362/96; D26/72, 59, 51, 81-86, 88**

FIG. 3 is a side view of the ceiling fan of FIG. 1, the other sides being substantially identical to that shown;

[56] **References Cited**

U.S. PATENT DOCUMENTS

D. 381,742 7/1997 Tsuji D23/377

FIG. 4 is a bottom view of the ceiling fan of FIG. 1; and,

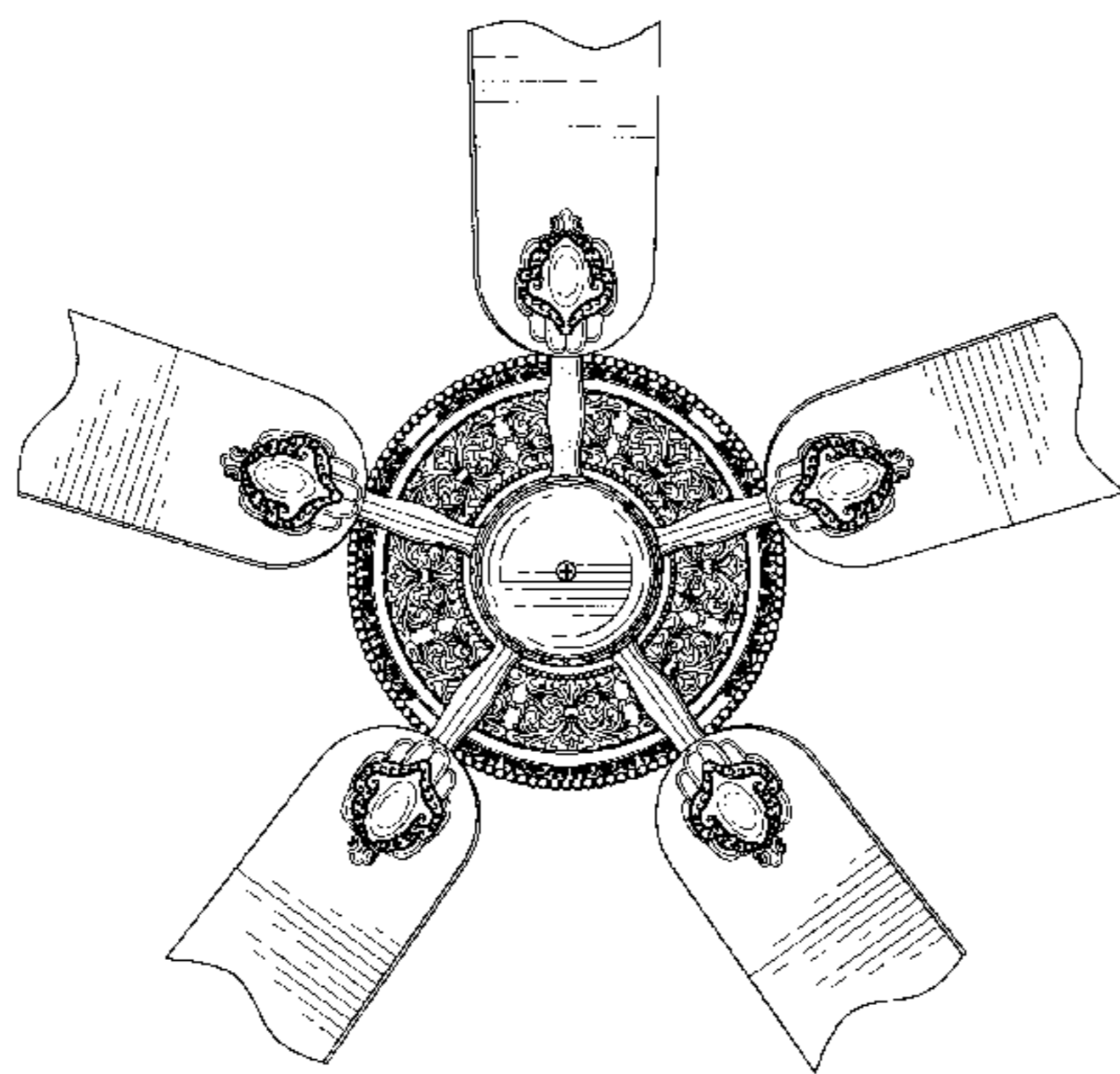
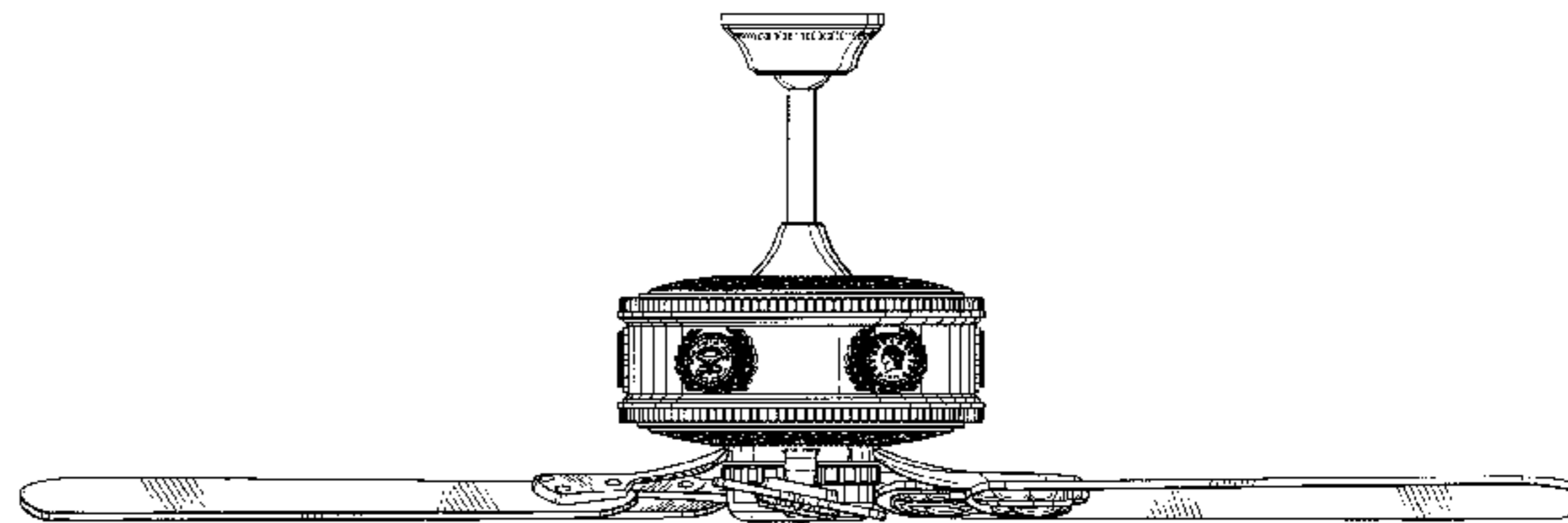
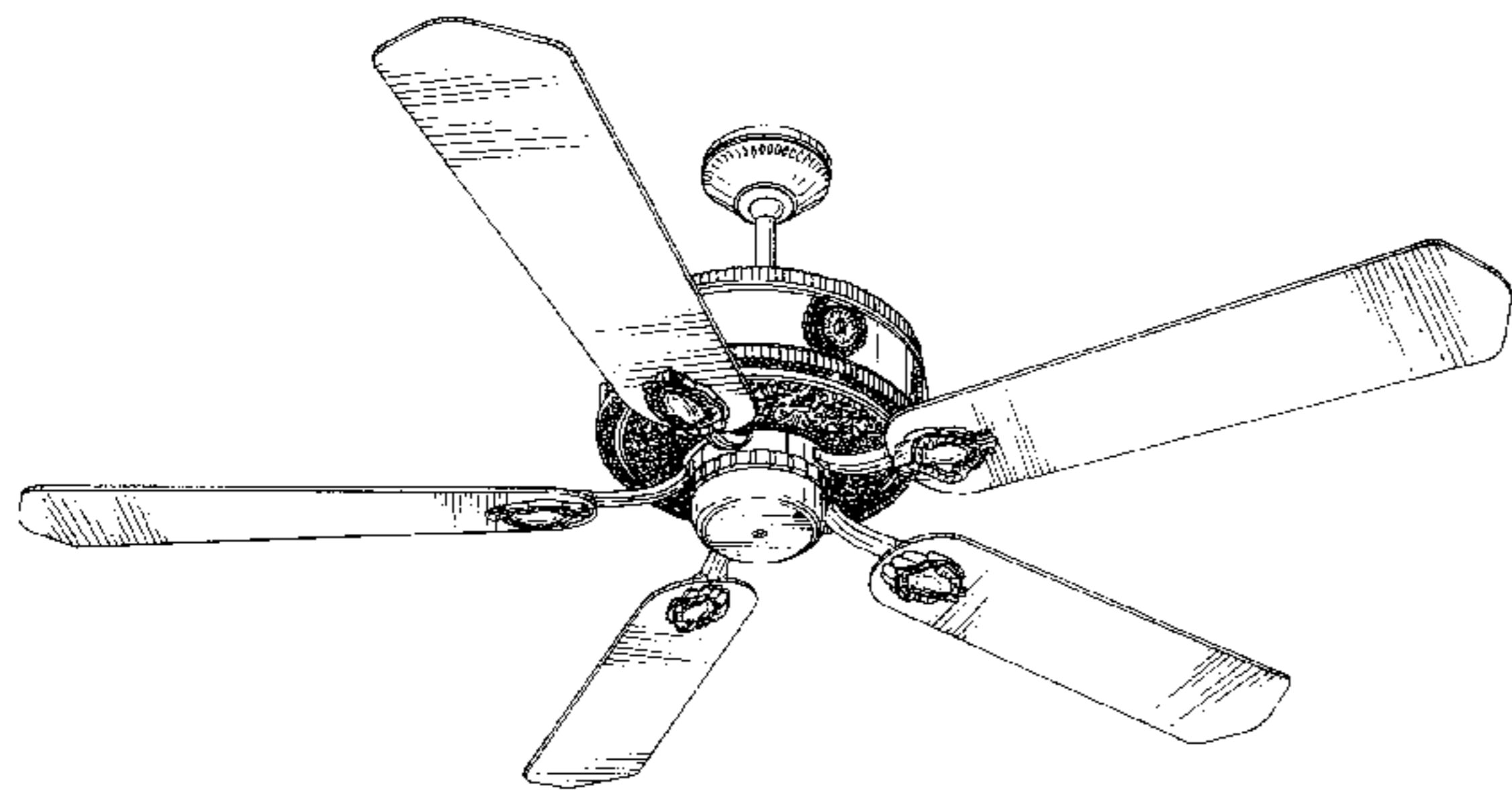
OTHER PUBLICATIONS

Minska ◇ Aire Ceiling Fan Cat, Ceiling Fan (A), top left side of p. 13.

FIG. 5 is an enlarged bottom view of the ceiling fan of FIG. 1, the blades have been shown broken-away for ease of illustration.

Primary Examiner—Lisa Lichtenstein

1 Claim, 5 Drawing Sheets



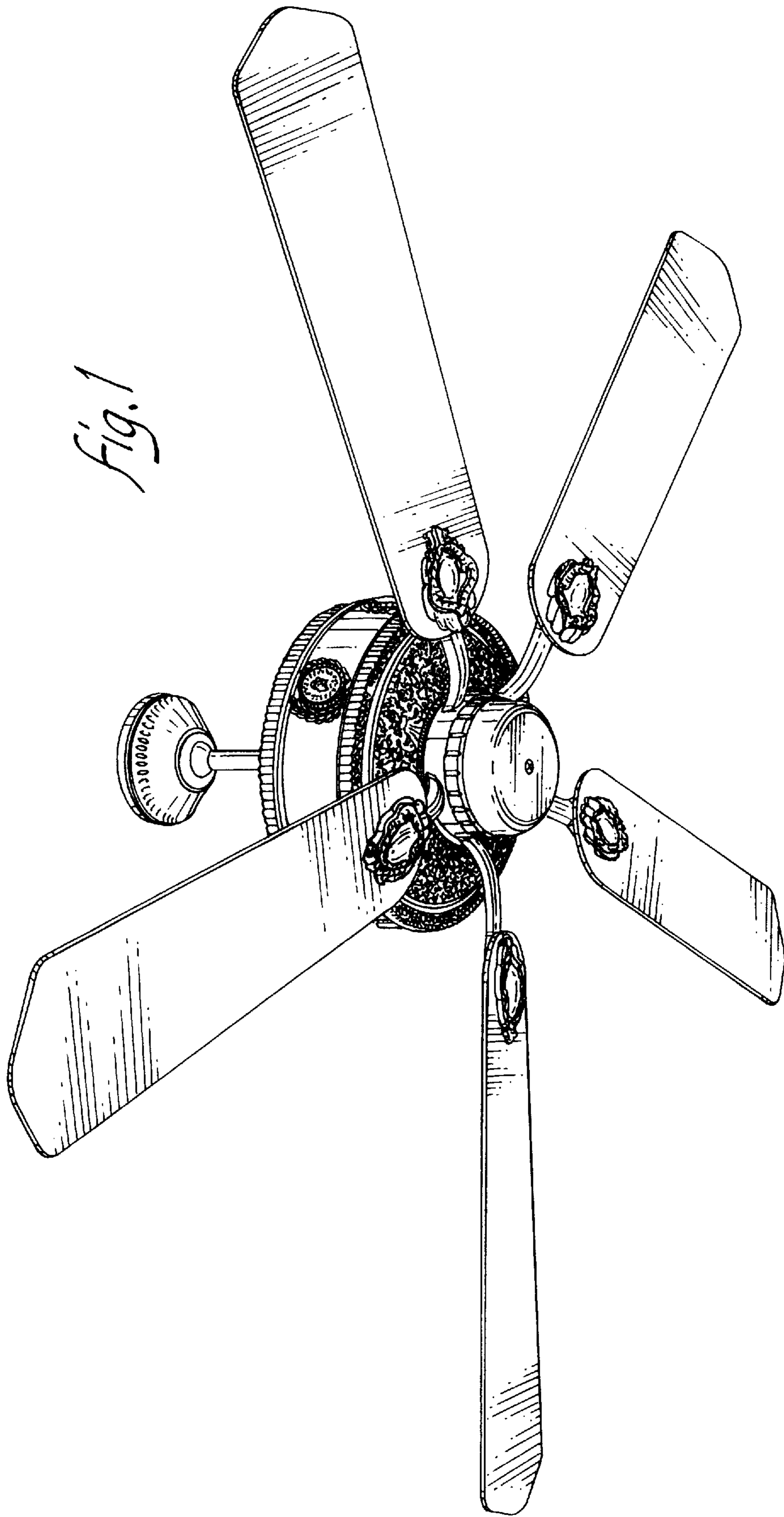


Fig. 1

FIG. 2

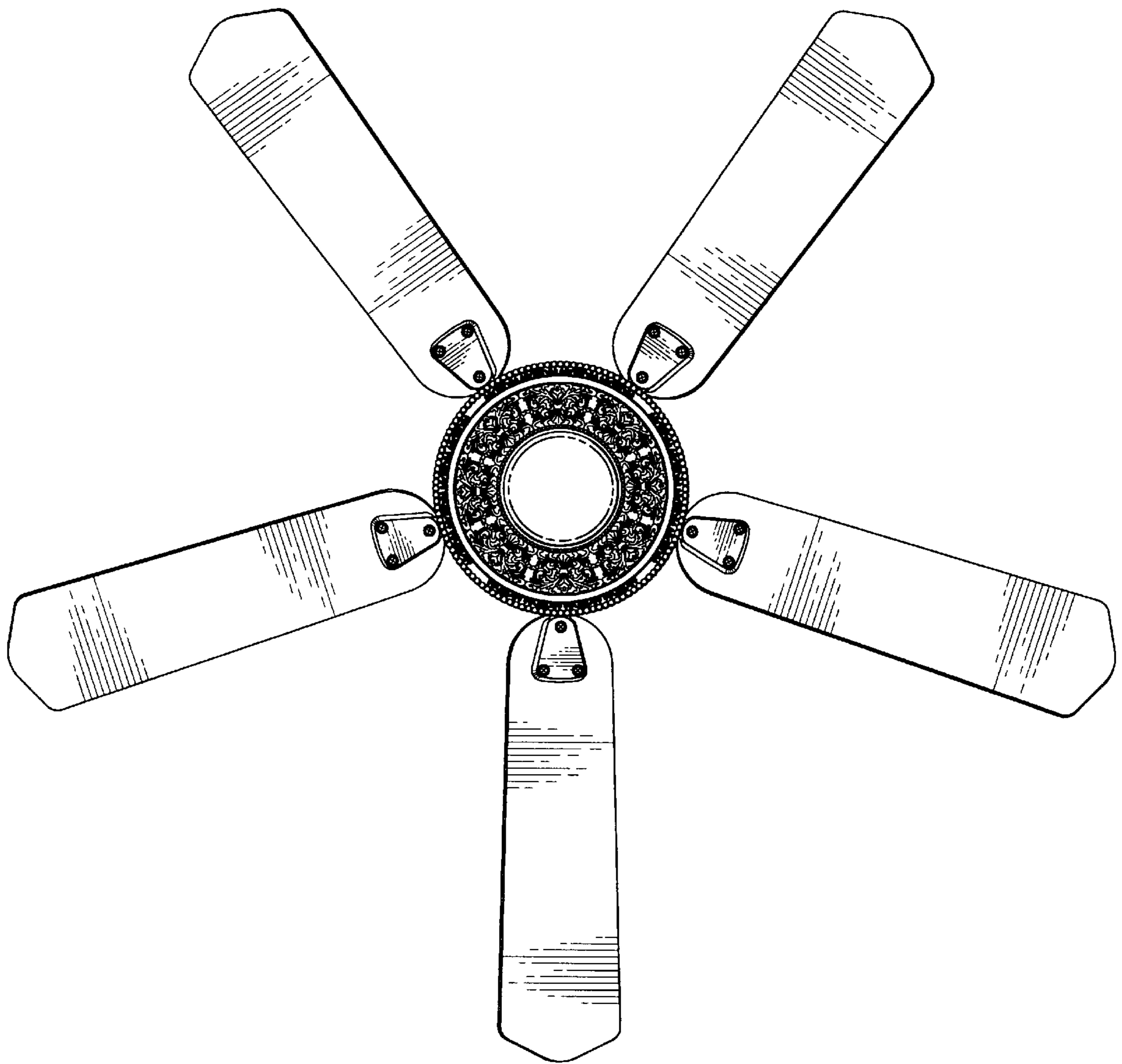


FIG. 3

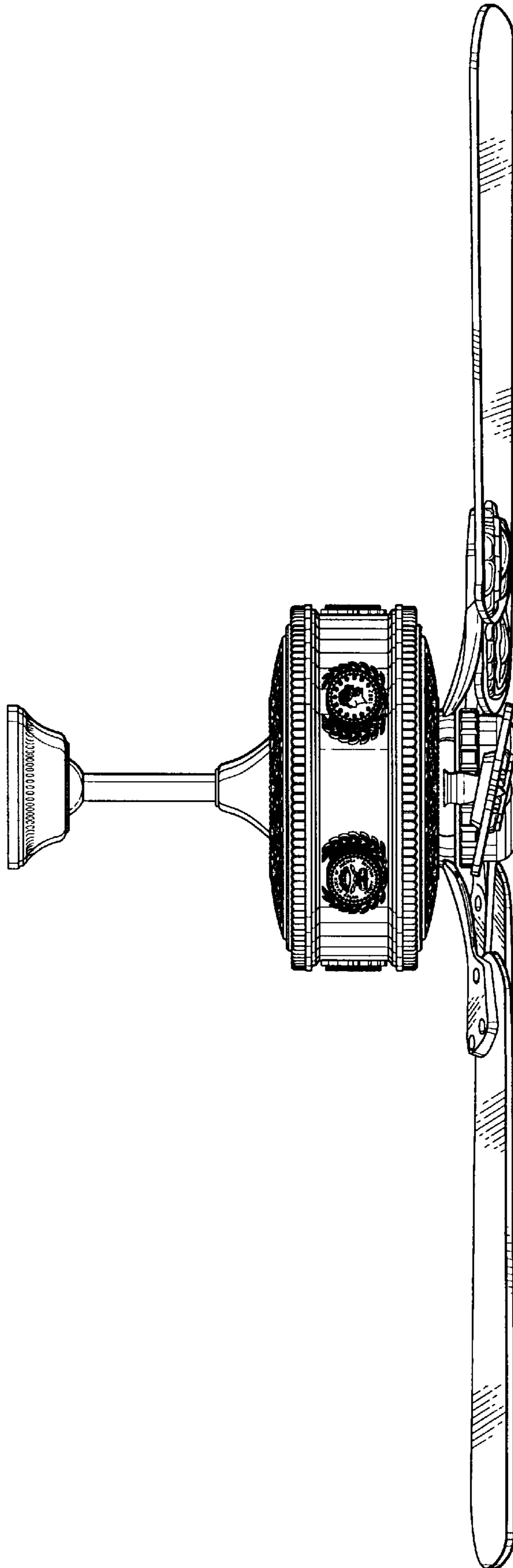


FIG. 4

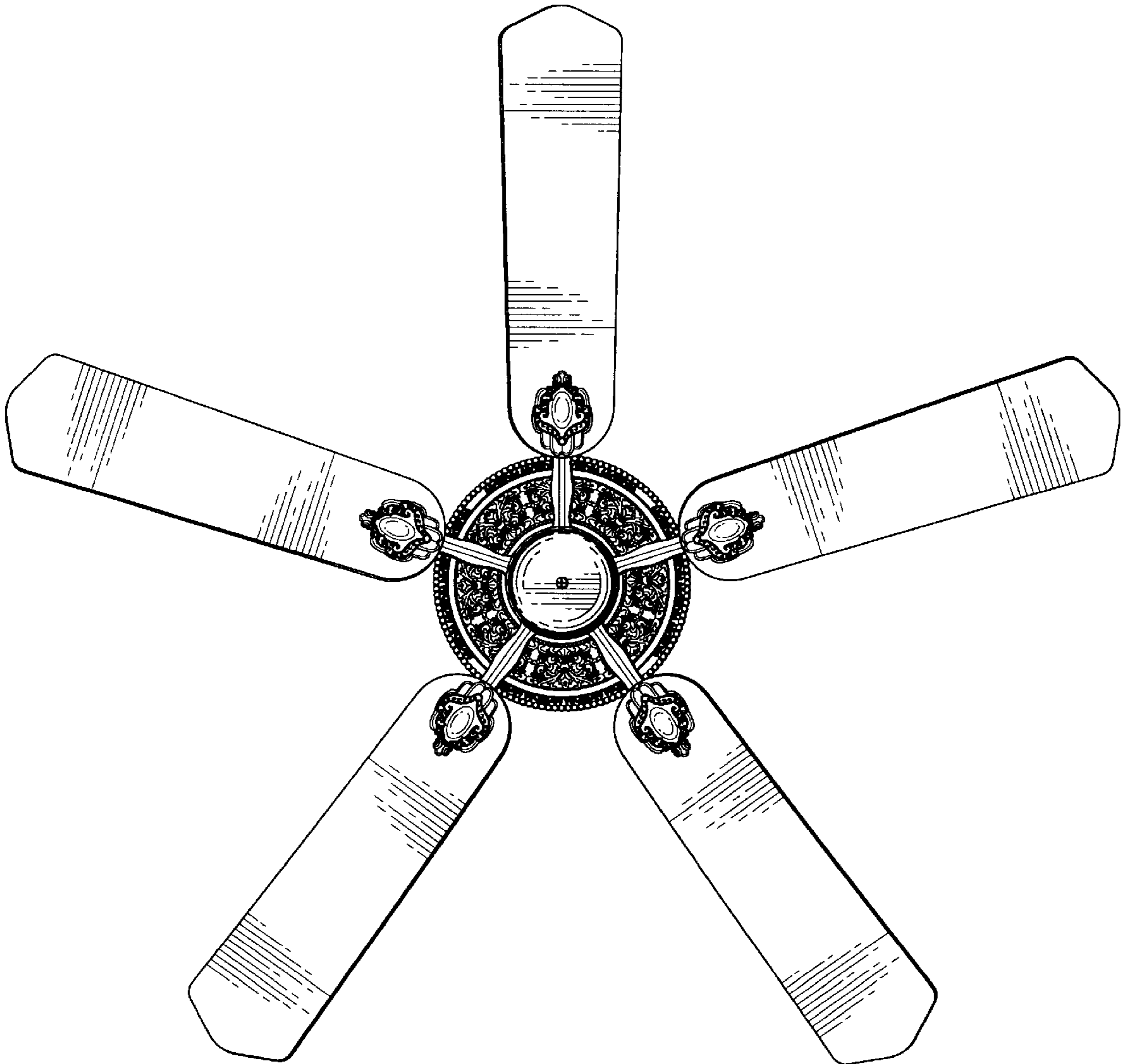


FIG. 5

