



US00D404477S

United States Patent [19] Asuncion

[11] Patent Number: **Des. 404,477**

[45] Date of Patent: ****Jan. 19, 1999**

[54] **SMELL ELIMINATOR**

2211520 7/1989 United Kingdom 4/213

[76] Inventor: **Art Asuncion**, 158 E. Delos St., St. Paul, Minn. 55107

Primary Examiner—Lisa Lichtenstein

[**] Term: **14 Years**

[57] CLAIM

[21] Appl. No.: **64,360**

The ornamental design for a smell eliminator, as shown and described.

[22] Filed: **Dec. 30, 1996**

DESCRIPTION

[51] **LOC (6) Cl.** **23-04**

FIG. 1 is a front plan view of the smell eliminator of the present invention;

[52] **U.S. Cl.** **D23/366; D23/311**

FIG. 2 is a rear plan view of the smell eliminator of FIG. 1;

[58] **Field of Search** D23/208, 311, D23/366, 368; 4/213

FIG. 3 is a right side plan view of the smell eliminator of FIG. 1;

[56] References Cited

U.S. PATENT DOCUMENTS

D. 140,184	1/1945	Sperzel	D23/311
D. 338,712	8/1993	Schaldenbrand	D23/311
2,309,774	2/1943	Kistler	4/213
3,571,824	3/1971	Polster	4/213
5,010,600	4/1991	Prisco	4/213
5,590,423	1/1997	Boykin	4/213

FIG. 4 is a left side plan view of the smell eliminator of FIG. 1;

FIG. 5 is a top plan view of the smell eliminator of FIG. 1;

FIG. 6 is a bottom plan view of the smell eliminator of FIG. 1; and,

FIG. 7 is a cross sectional view taken along line 7—7 of FIG. 5 of the smell eliminator of FIG. 1.

The manifold has been shown broken-away at the top section, middle section, and bottom section to indicate indeterminate length.

FOREIGN PATENT DOCUMENTS

2136030	9/1984	United Kingdom	4/213
---------	--------	----------------	-------	-------

1 Claim, 3 Drawing Sheets

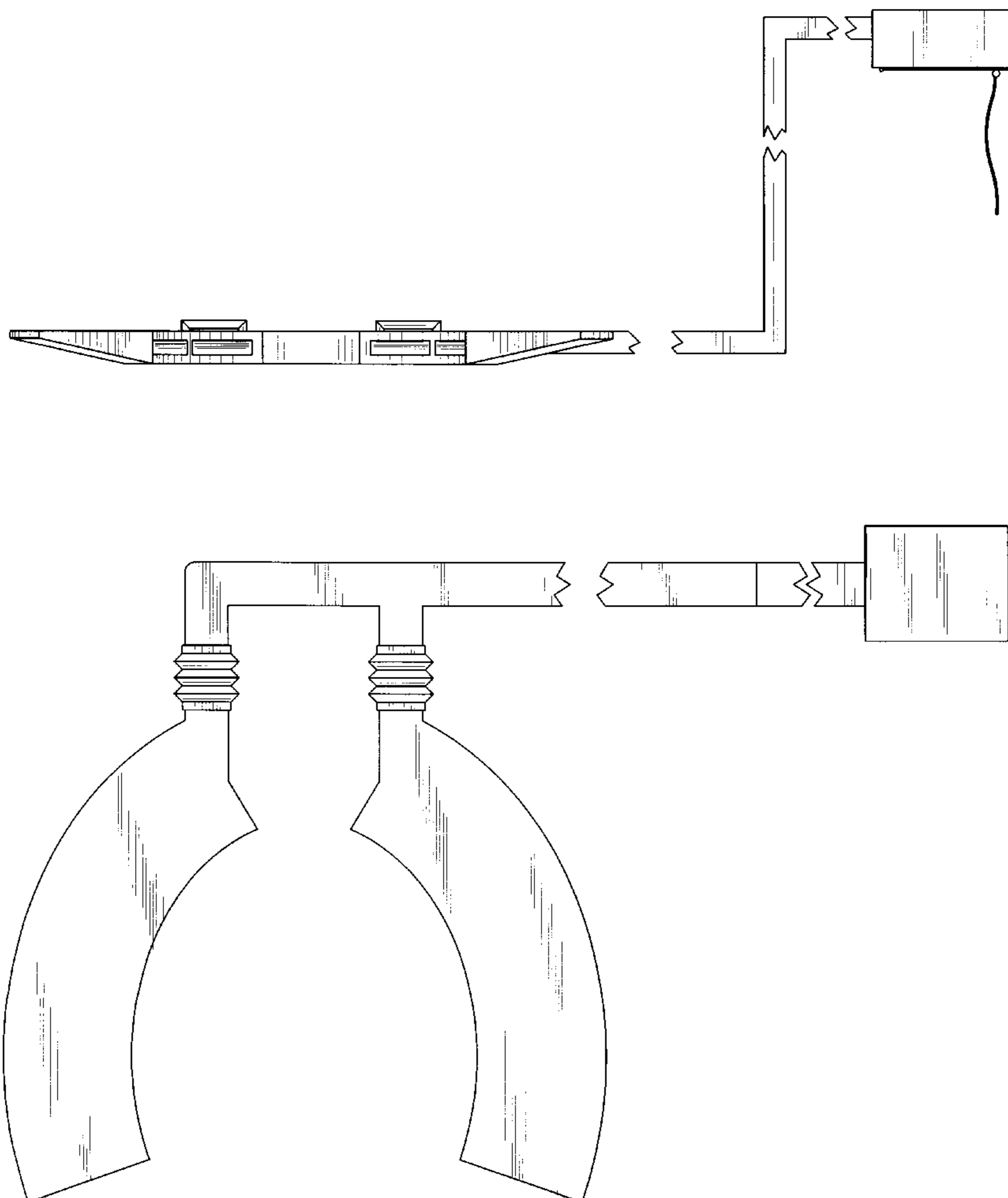


FIG. 1

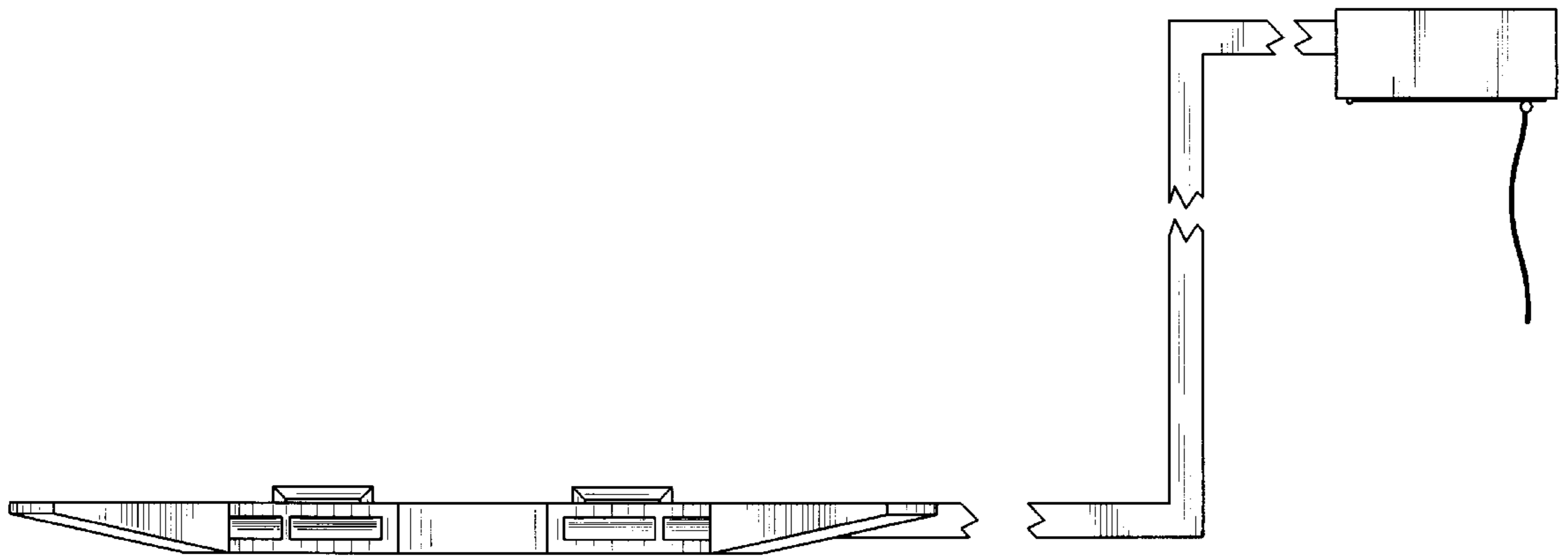


FIG. 2

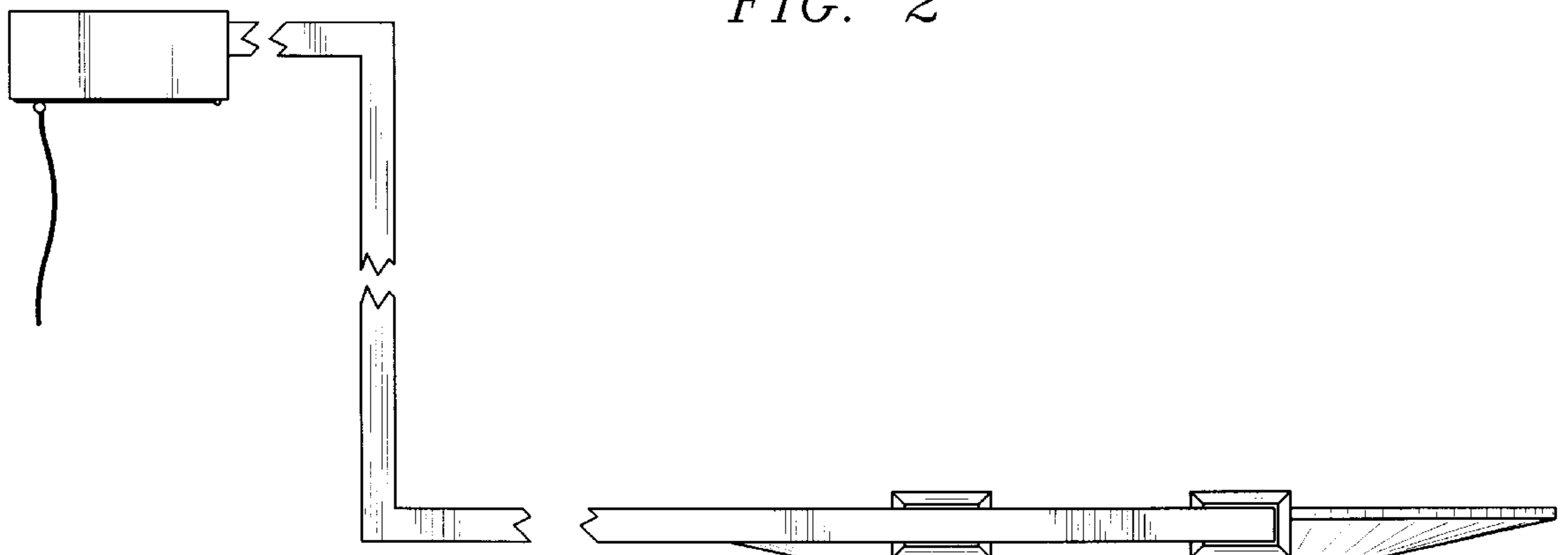


FIG. 3

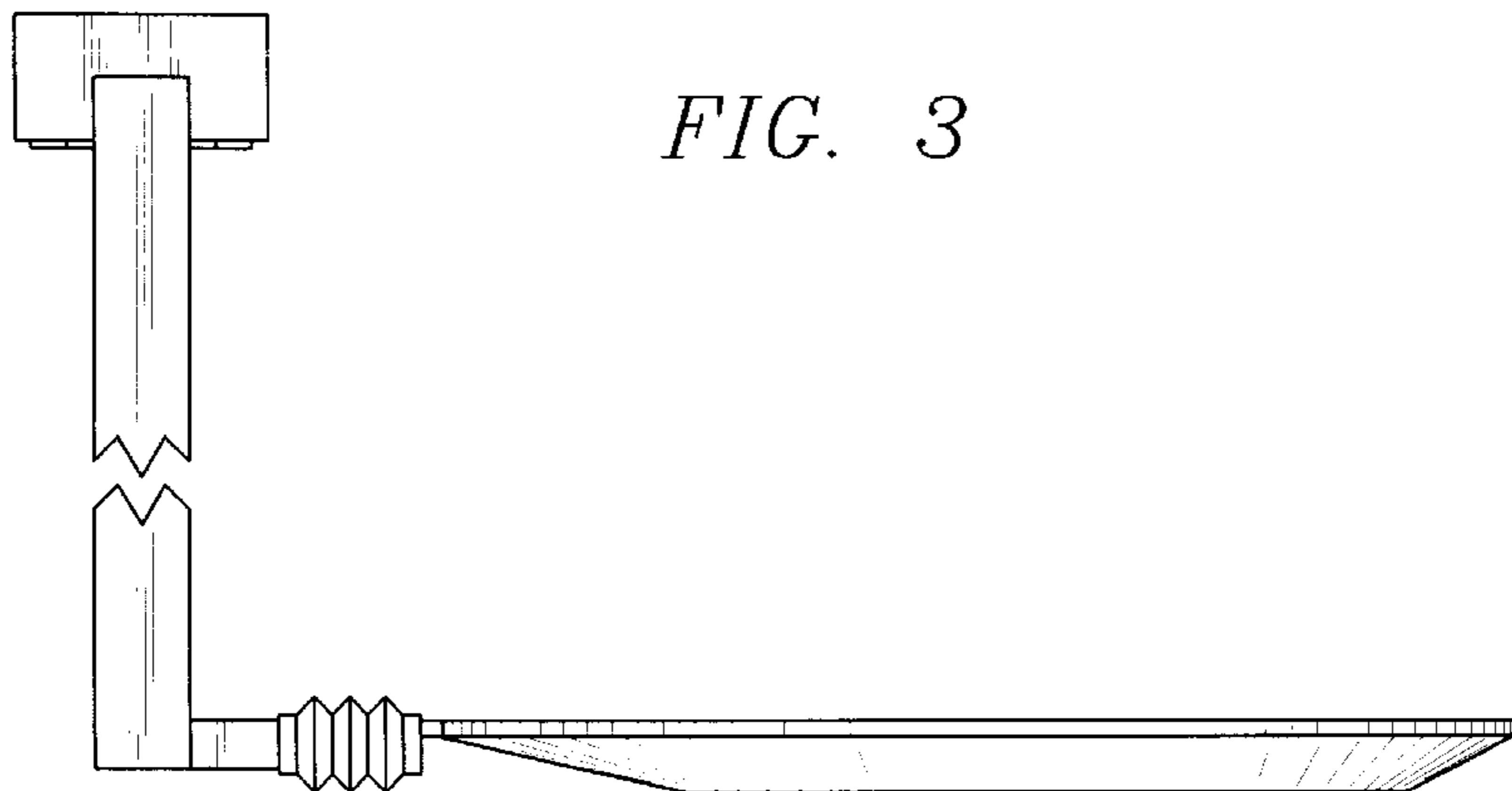


FIG. 4

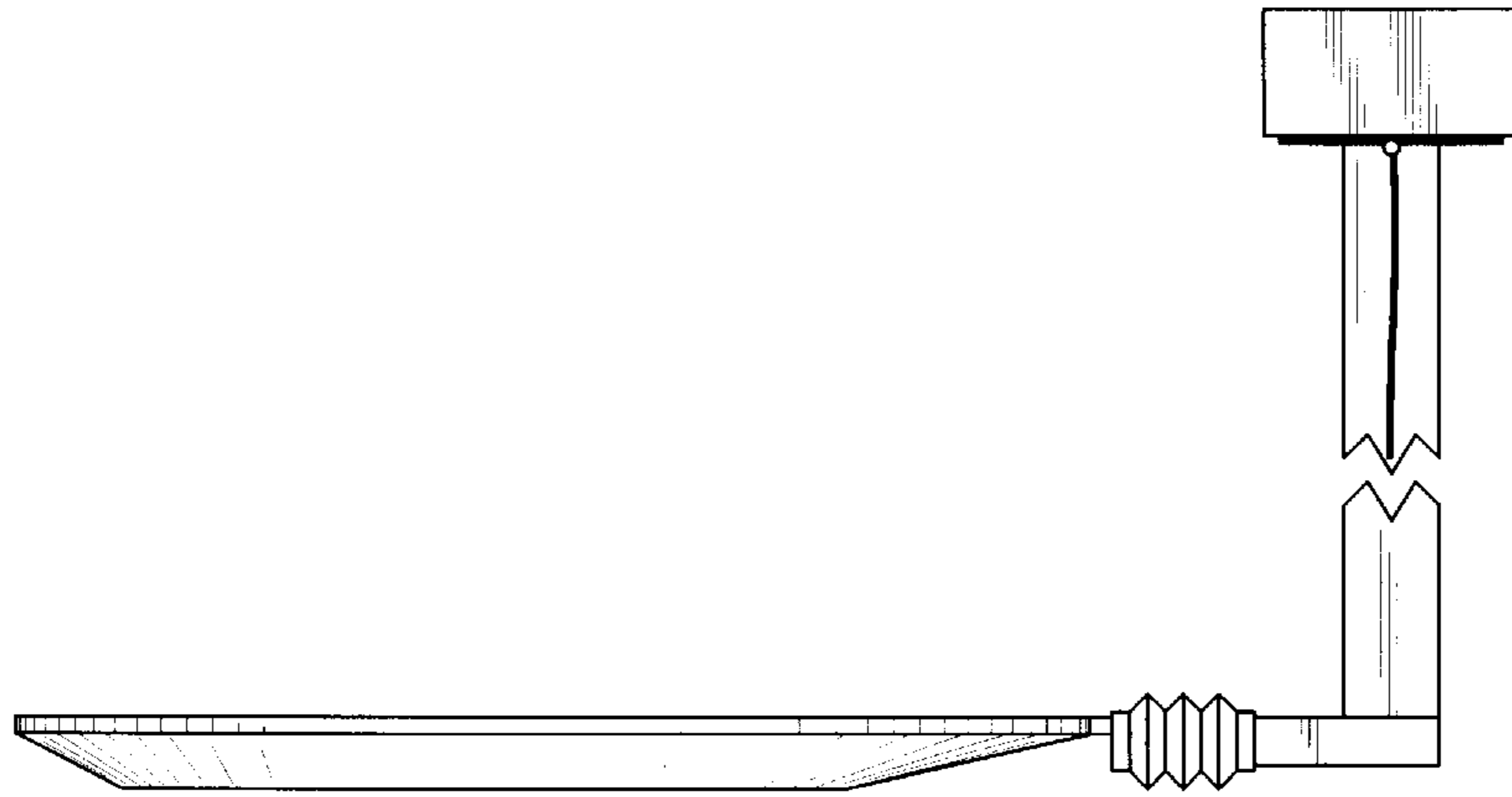


FIG. 5

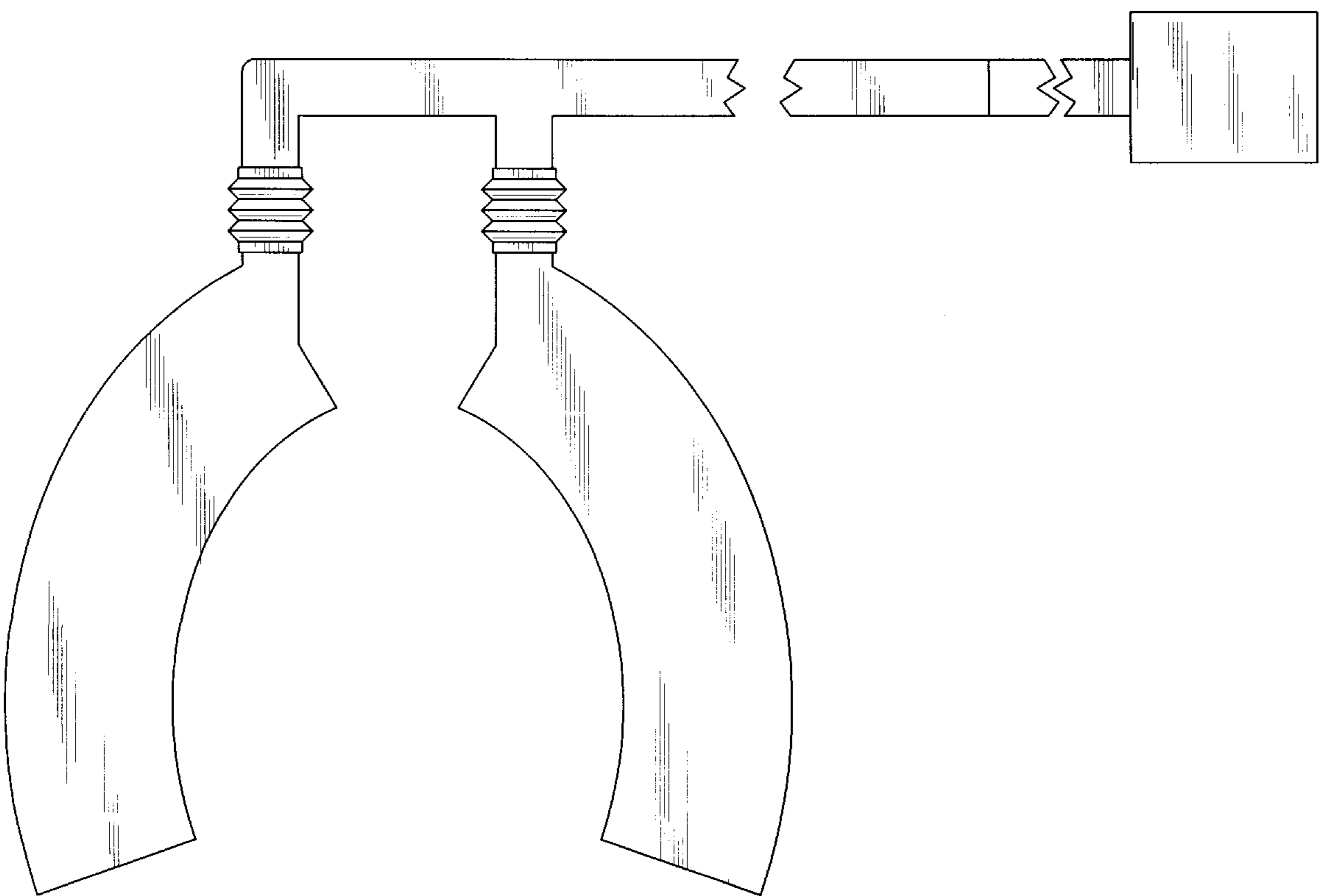


FIG. 6

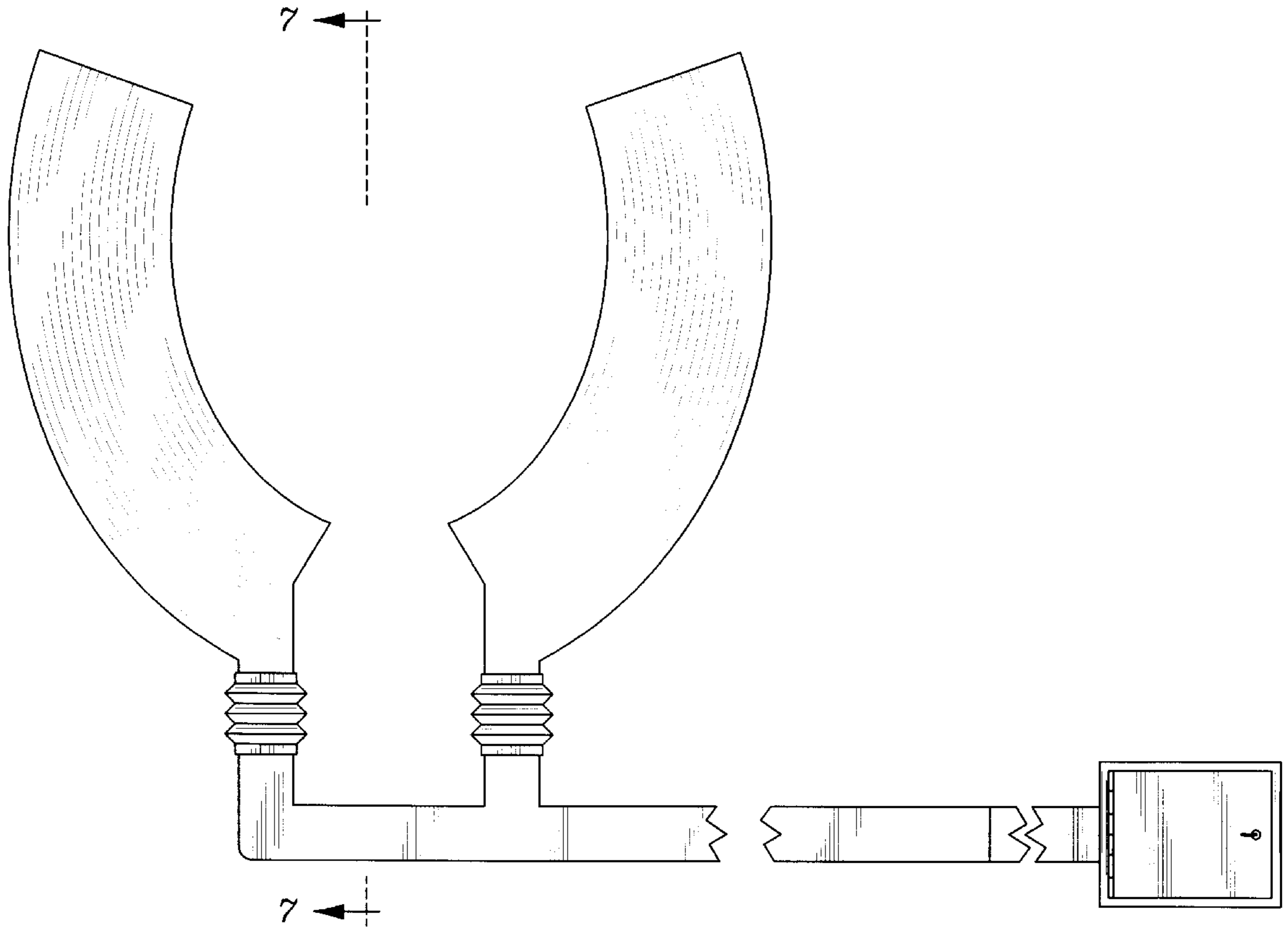


FIG. 7

