



US00D404476S

United States Patent [19] Formgren

[11] Patent Number: Des. 404,476

[45] Date of Patent: **Jan. 19, 1999

[54] **BASE FOR SHOWER AREA**

[75] Inventor: **Anna-Pia K. Formgren**, Sheboygan, Wis.

[73] Assignee: **Kohler Co.**, Kohler, Wis.

[**] Term: **14 Years**

[21] Appl. No.: **65,015**

[22] Filed: **Jan. 17, 1997**

[51] **LOC (6) Cl.** **23-02**

[52] **U.S. Cl.** **D23/304**

[58] **Field of Search** D23/277-280.4,
D23/303-311; D24/204, 205; 4/538, 541.1-541.6,
546, 548, 551, 552

[56] **References Cited**

U.S. PATENT DOCUMENTS

D. 349,950	8/1994	Cummings	D23/283
D. 351,019	9/1994	Moore et al.	D23/283
D. 354,117	1/1995	Notions	D23/283
D. 378,937	4/1997	Formgren	D23/277
D. 392,724	3/1998	Lenardon	D23/283
5,092,002	3/1992	Powers	4/596

OTHER PUBLICATIONS

Undated Jacuzzi ad showing a "Stellaria" whirlpool, admitted prior art.

1987 American Sports ad showing a "Champagne" whirlpool.

Undated Néomediam ad showing a "Dufy" bathing base, admitted prior art.

Primary Examiner—Louis F. Zarfaz

Assistant Examiner—Eric Watterson

Attorney, Agent, or Firm—Quarles & Brady

[57] **CLAIM**

The ornamental design for a base for shower area, as shown and described.

DESCRIPTION

FIG. 1 is a left, top, front perspective view of a base for

shower area, in the form of a shower enclosure receptor, embodying my new design;

FIG. 2 is a top plan view thereof.

FIG. 3 is a front, slightly left elevational view thereof;

FIG. 4 is a front elevational view thereof;

FIG. 5 is a front, slightly right elevational view thereof;

FIG. 6 is a cross-sectional view taken along line 6—6 of FIG. 2;

FIG. 7 is a cross-sectional view taken along line 7—7 of FIG. 2;

FIG. 8 is a cross-sectional view taken along line 8—8 of FIG. 2;

FIG. 9 is a cross-sectional view taken along line 9—9 of FIG. 2;

FIG. 10 is a top plan view of a second embodiment which is a mirror image of that shown in FIG. 2, the other non-sectional views (besides the perspective view) being identical to those shown in FIGS. 3-5;

FIG. 11 is a left, top, front perspective view of a third embodiment which is identical to the first embodiment except for the pattern on the bottom surface of the base;

FIG. 12 is a top plan view thereof;

FIG. 13 is an enlarged, detailed partial cross-sectional view taken along line 13—13 of FIG. 12;

FIG. 14 is a top plan view of a fourth embodiment which is identical to the second embodiment except for the pattern on the bottom surface of the base;

FIG. 15 is an enlarged, detailed partial cross-sectional view taken along line 15—15 of FIG. 14;

FIG. 16 is a left, top, front perspective view of a fifth embodiment;

FIG. 17 is a top plan view thereof;

FIG. 18 is a front, slightly left elevational view thereof;

FIG. 19 is a front elevational view thereof;

FIG. 20 is a front, slightly right elevational view thereof;

FIG. 21 is a cross-sectional view taken along line 21—21 of FIG. 17;

FIG. 22 is a cross-sectional view taken along line 22—22 of FIG. 17;

FIG. 23 is a cross-sectional view taken along line 23—23 of FIG. 17;

FIG. 24 is a cross-sectional view taken along line 24—24 of FIG. 17;

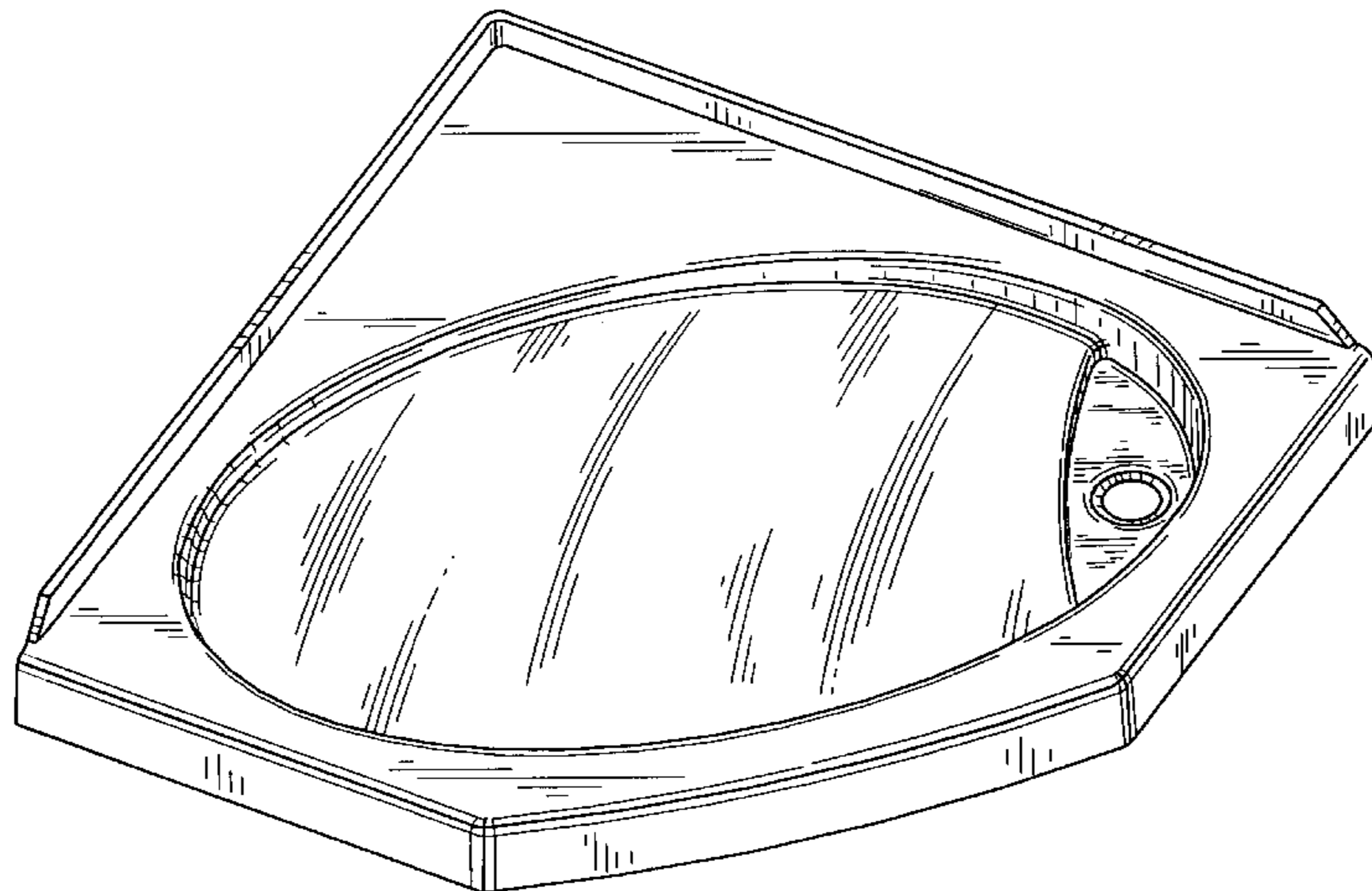


FIG. 25 is a top plan view of a sixth embodiment which is a mirror image of that shown in FIG. 17, the front, slightly right elevational view being a mirror image of that shown in FIG. 18, the front elevational view being a mirror image of that shown in FIG. 19, and the front, slightly left elevational view being a mirror image of that shown in FIG. 20;

FIG. 26 is a left, top, front perspective of a seventh embodiment which is identical to the fifth embodiment except for the pattern on the bottom surface of the base;

FIG. 27 is a top plan view thereof;

FIG. 28 is an enlarged, detailed partial cross-sectional view taken along line 28—28 of FIG. 27;

FIG. 29 is a top plan view of an eighth embodiment which is identical to the sixth embodiment except for the pattern on the bottom surface of the base; and,

FIG. 30 is an enlarged, detailed partial cross-sectional view taken along line 30—30 of FIG. 29.

1 Claim, 12 Drawing Sheets

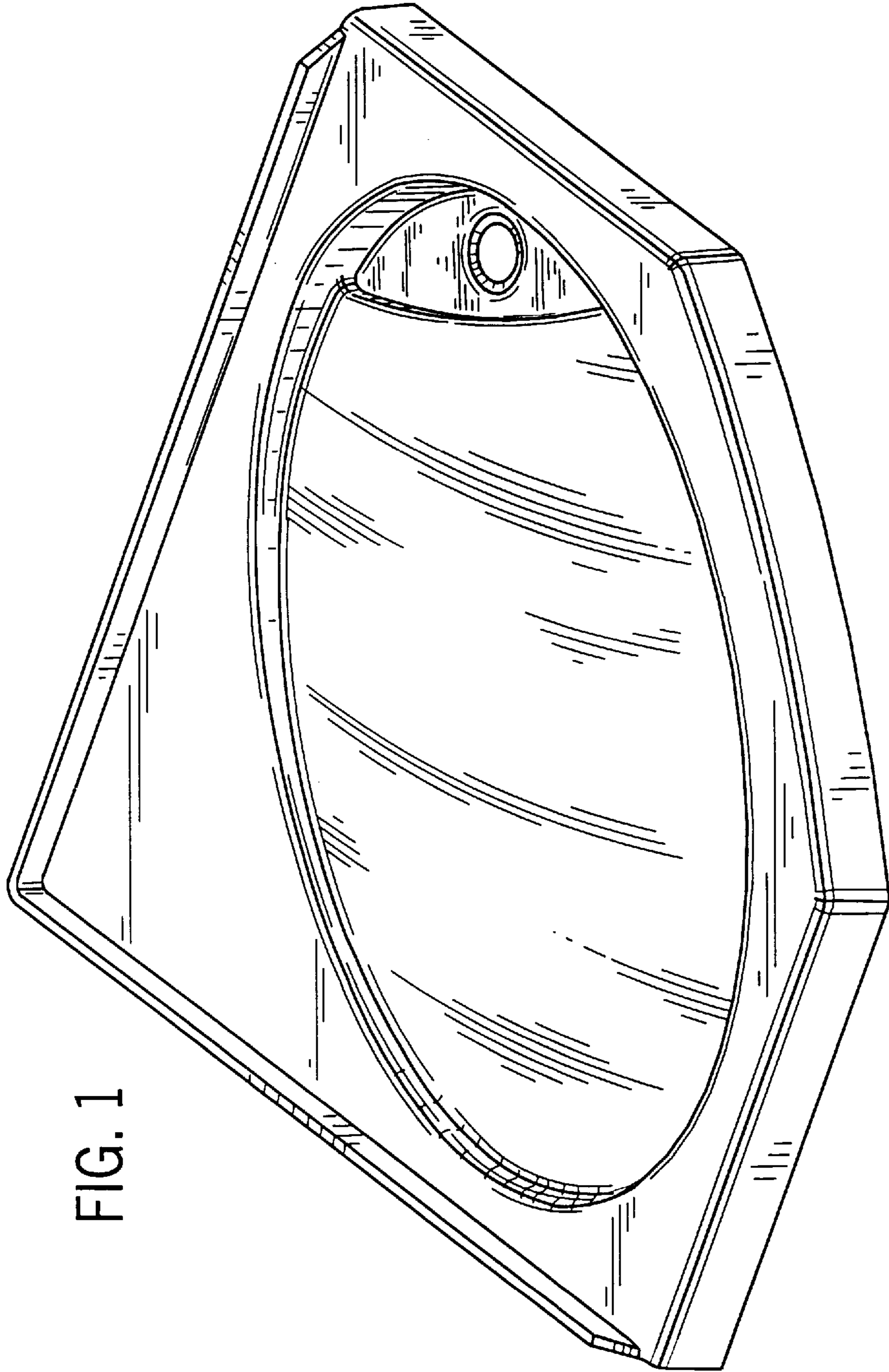


FIG. 1

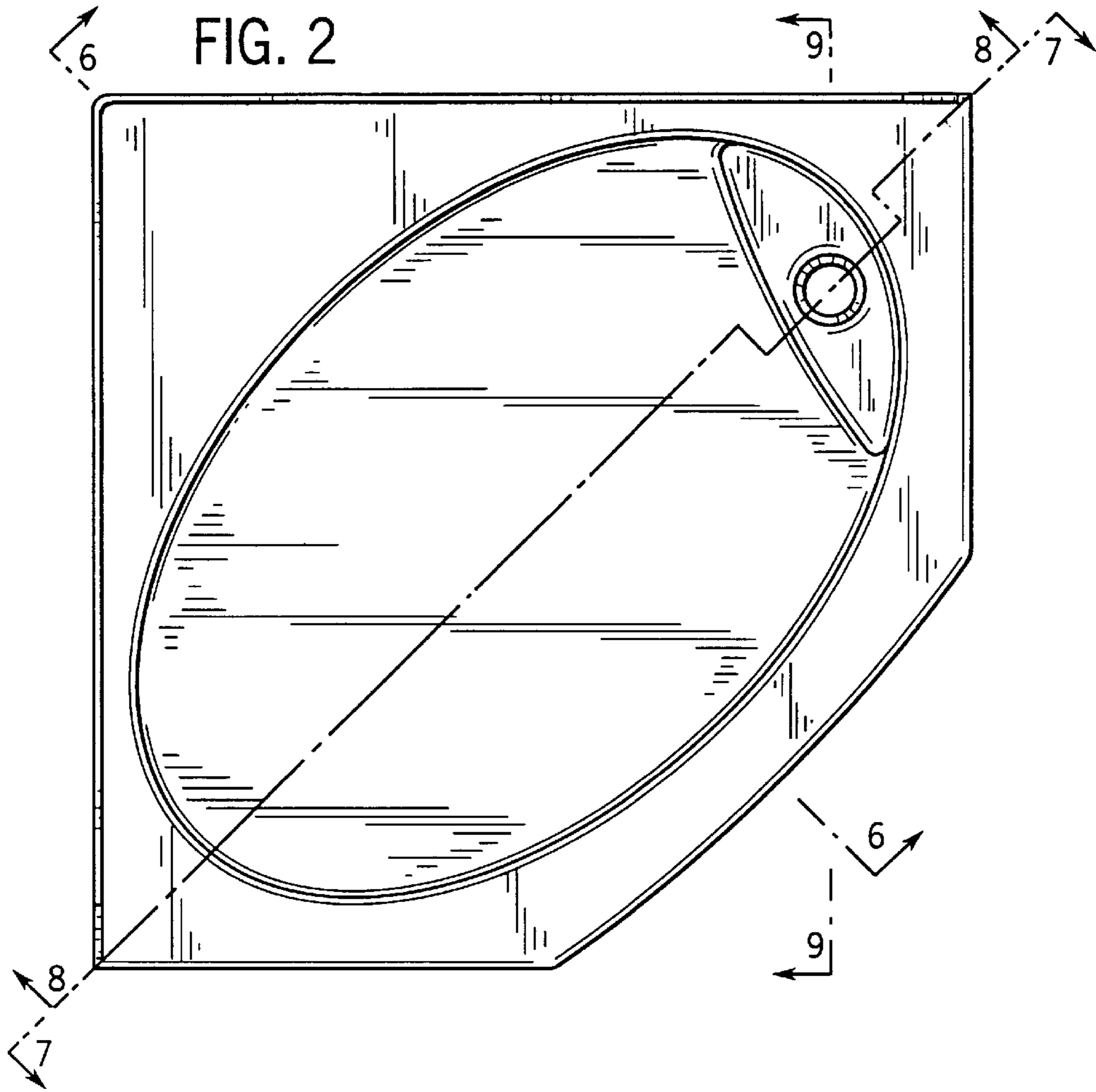


FIG. 3

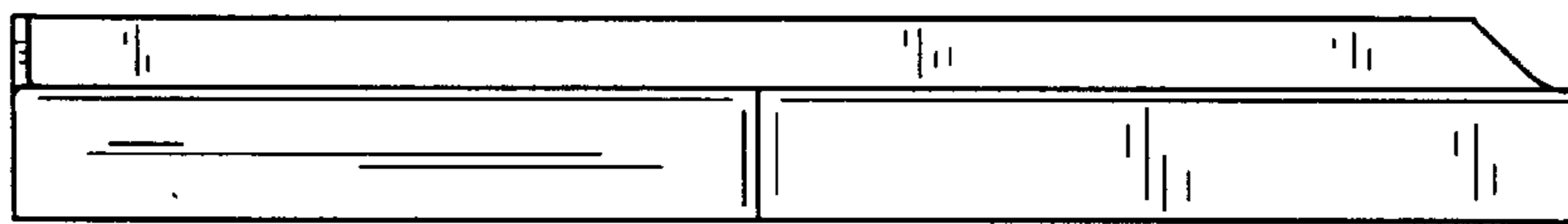


FIG. 4



FIG. 5

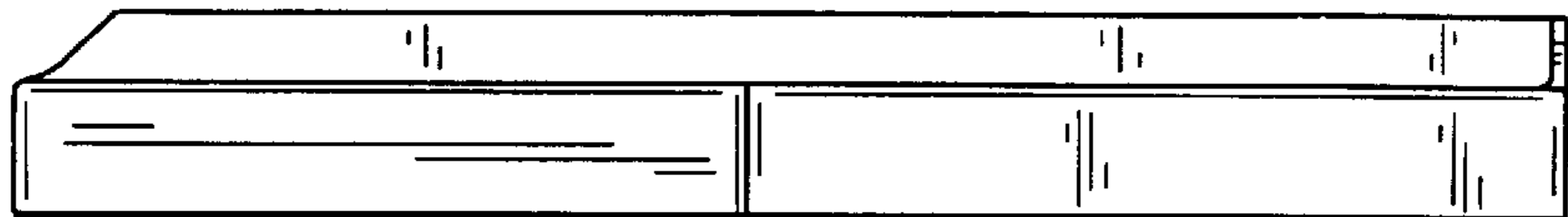


FIG. 6

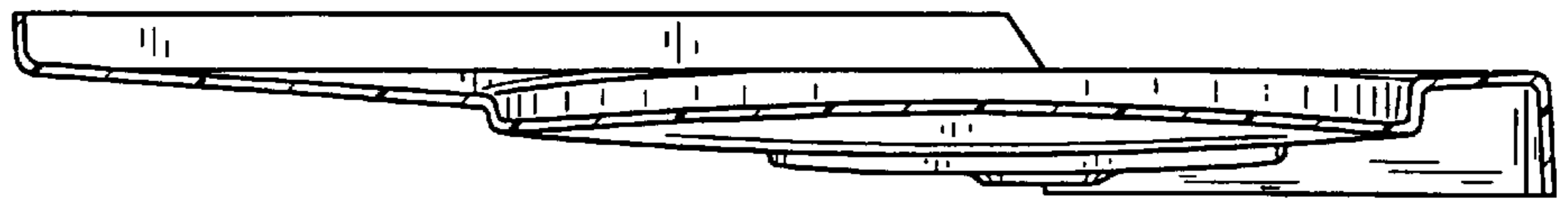


FIG. 7

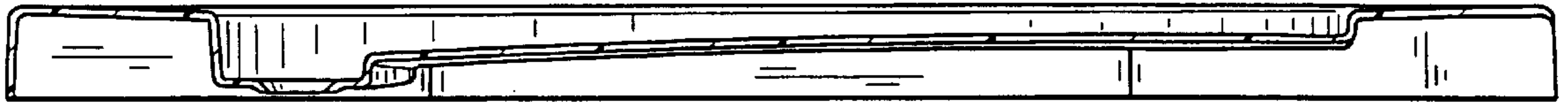


FIG. 8

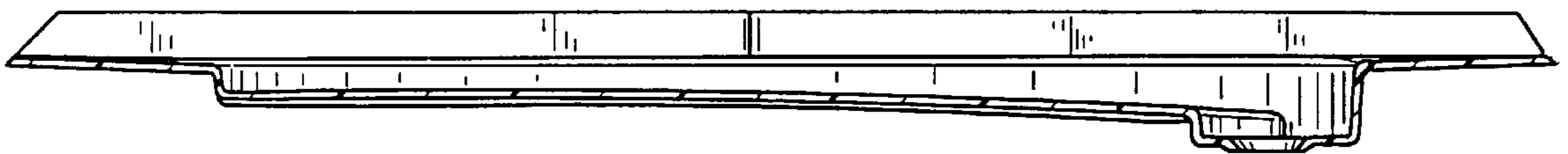


FIG. 9

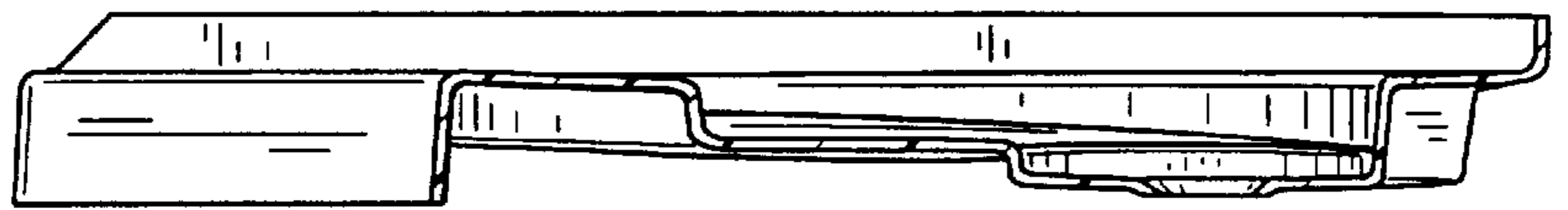
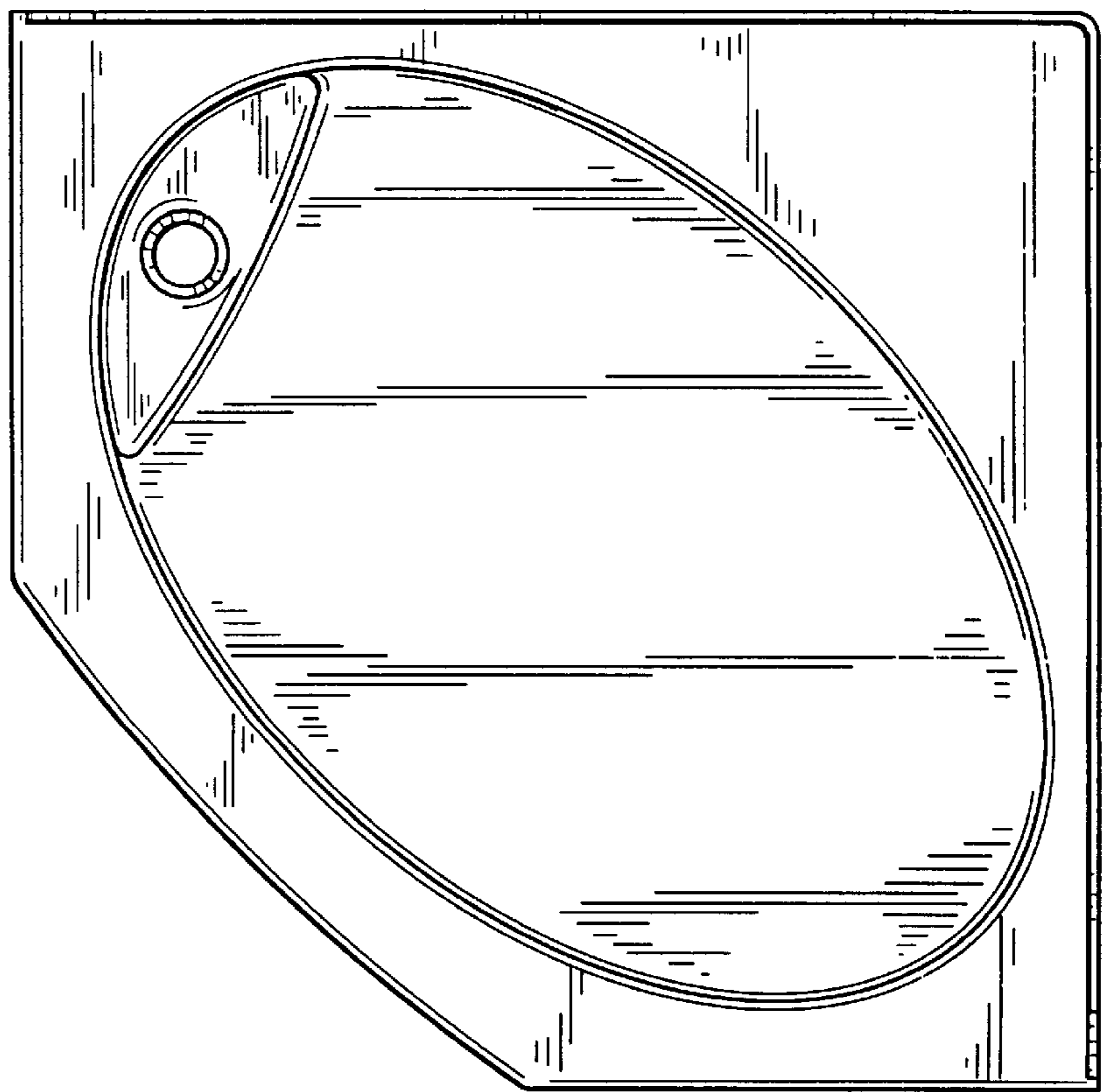


FIG. 10



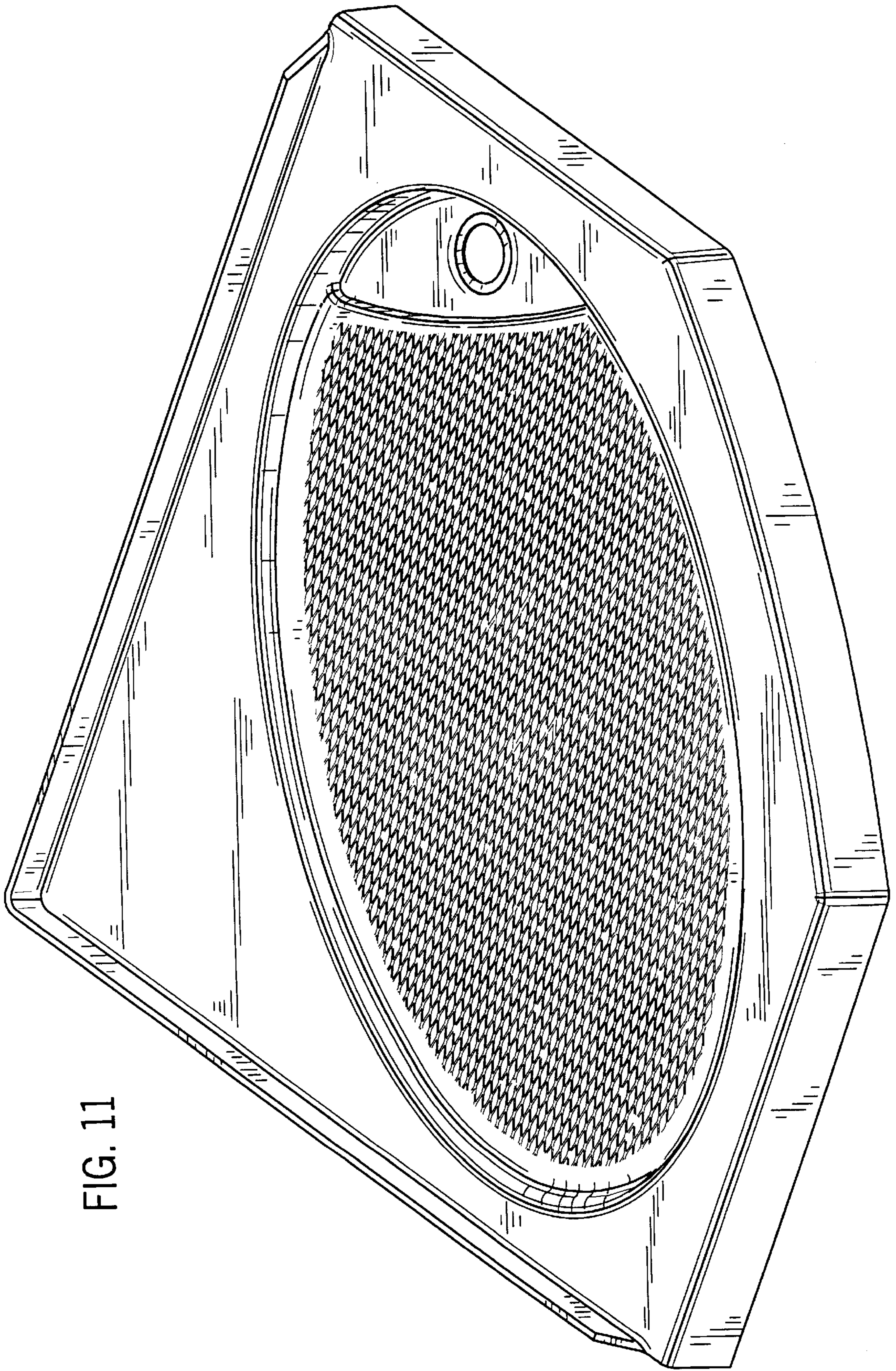


FIG. 11

FIG. 12

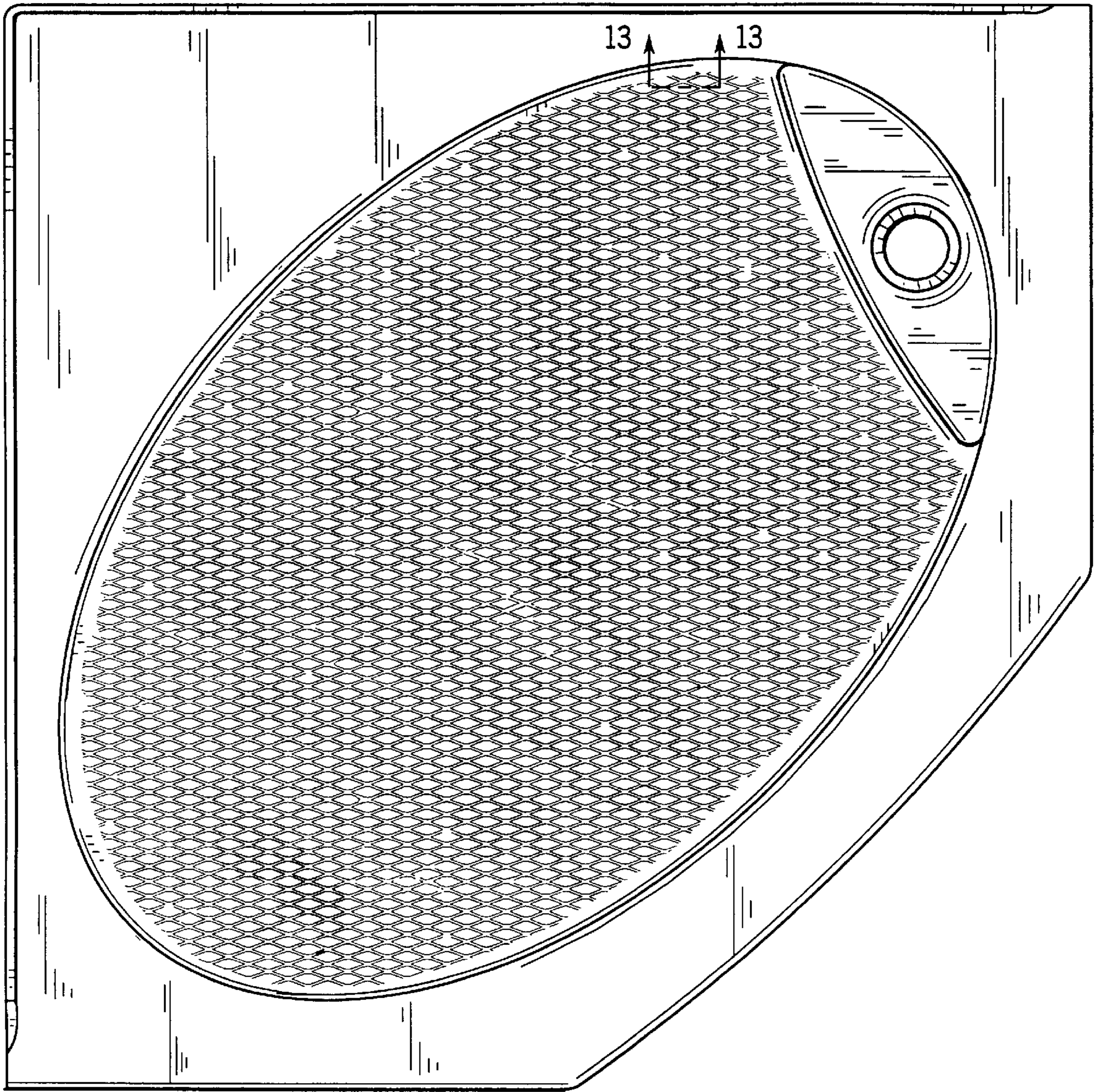


FIG. 13

FIG. 14

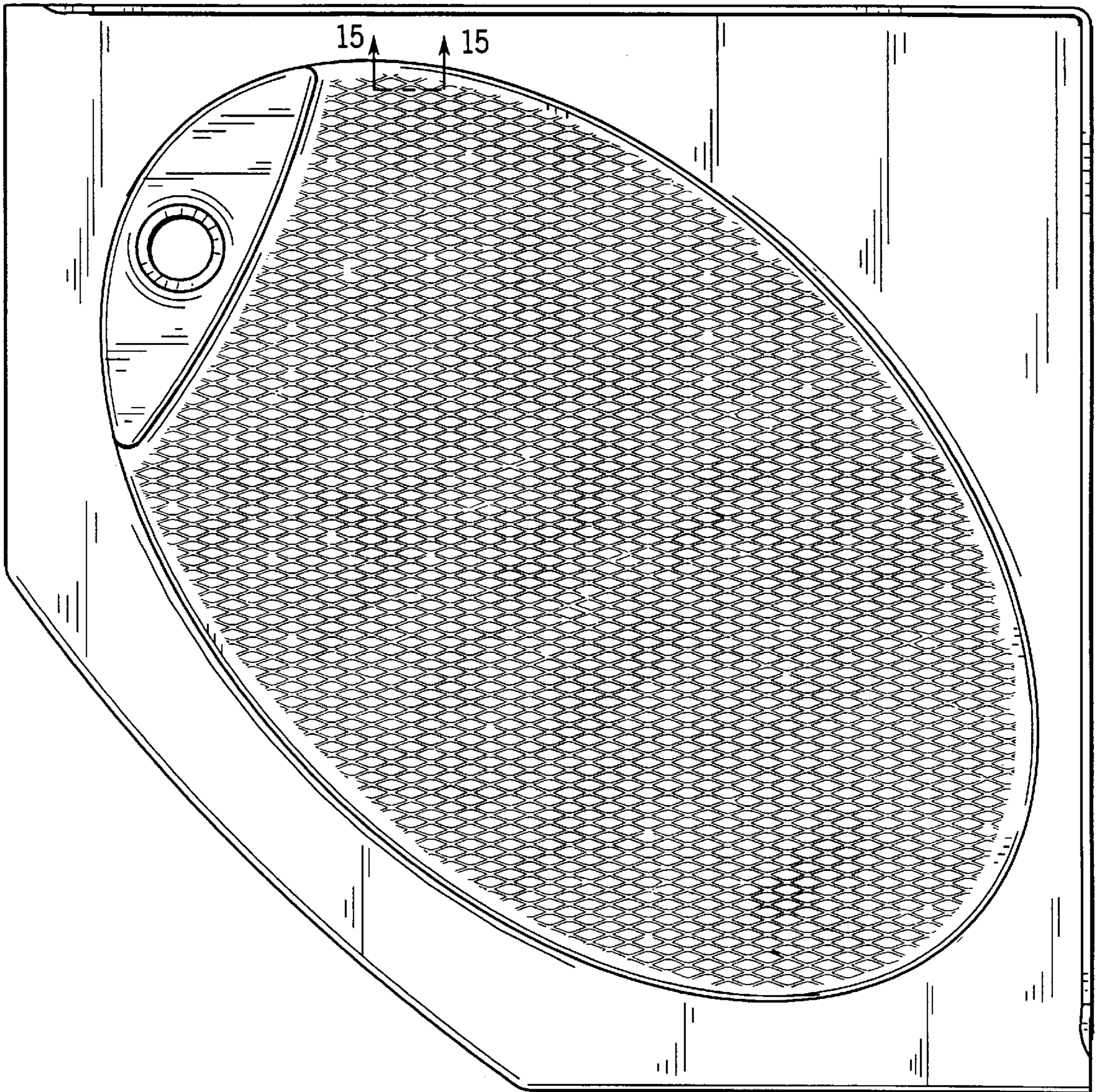


FIG. 15

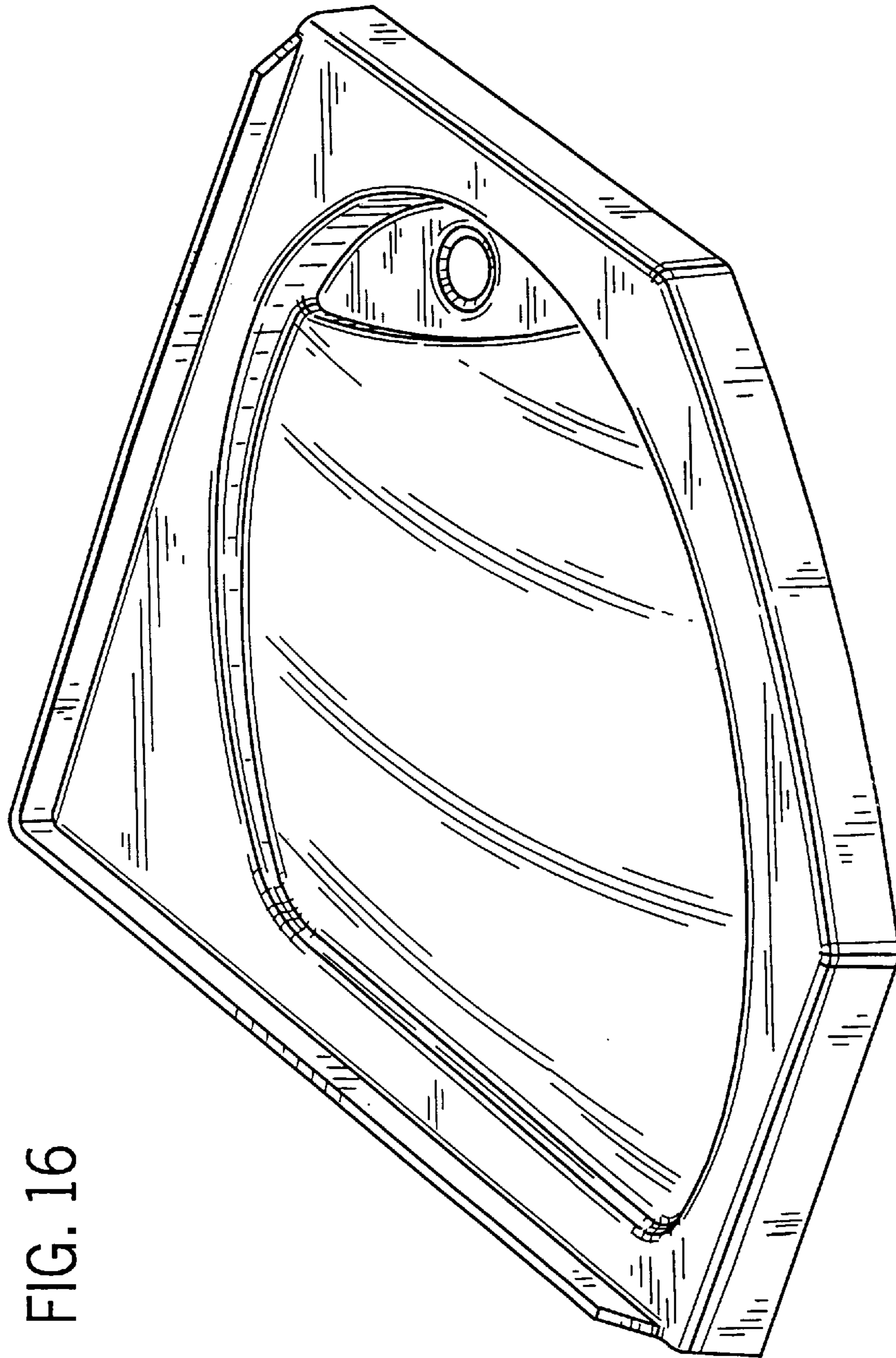


FIG. 16

FIG. 17

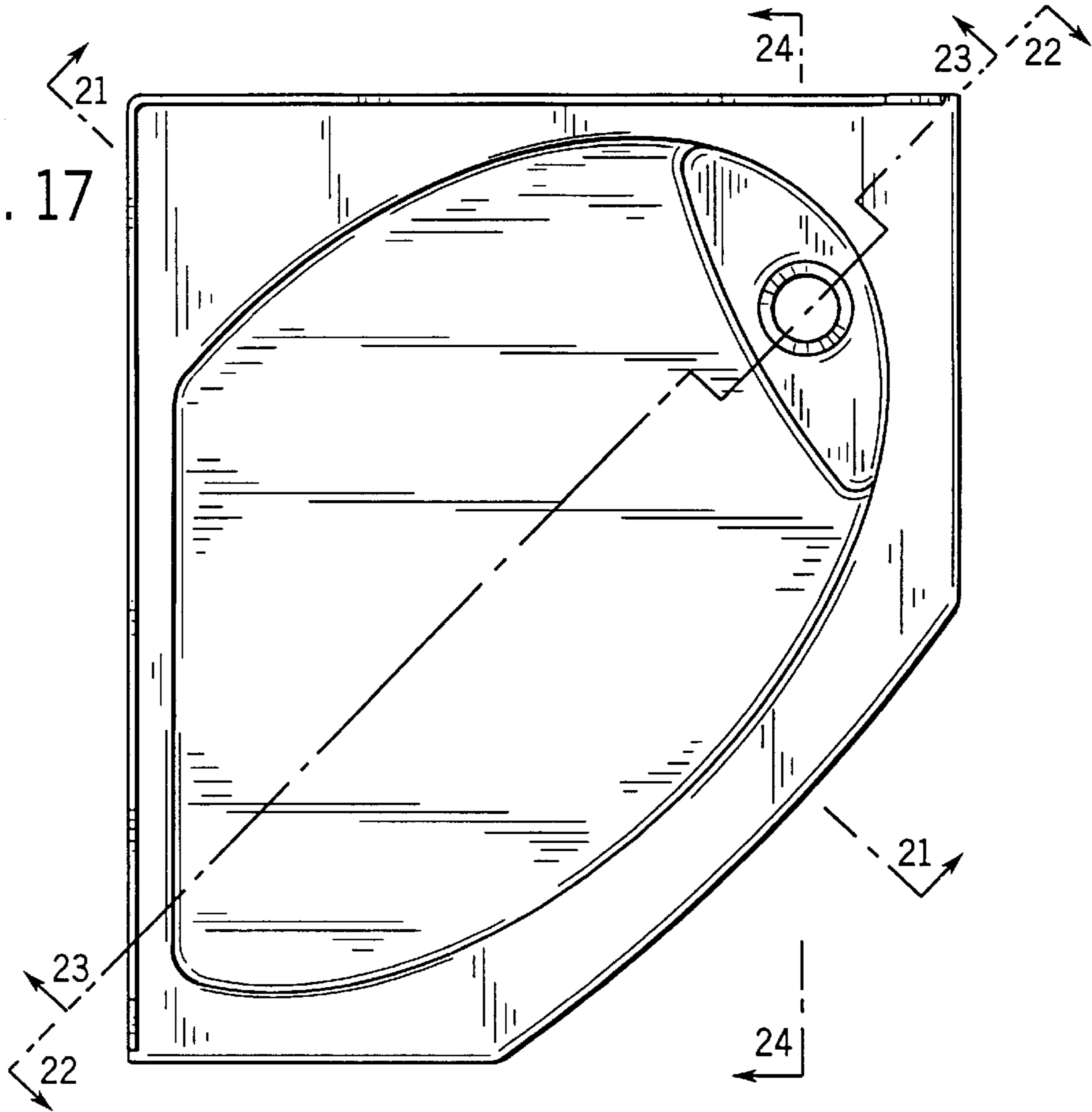


FIG. 18

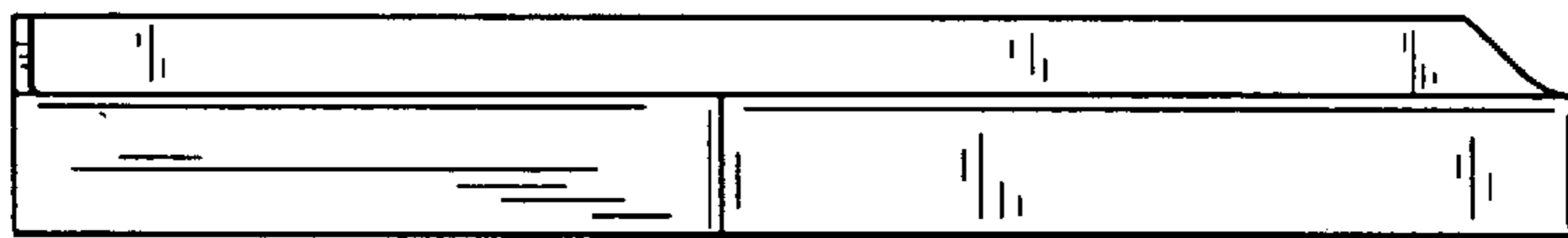


FIG. 19

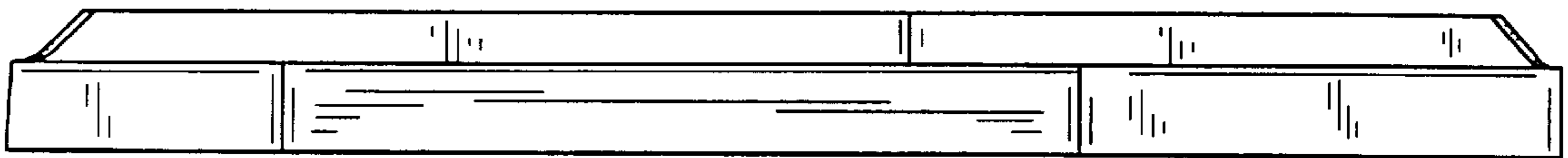


FIG. 20

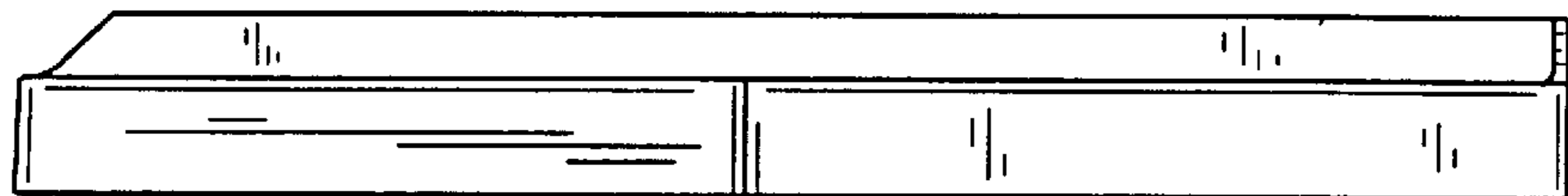


FIG. 21

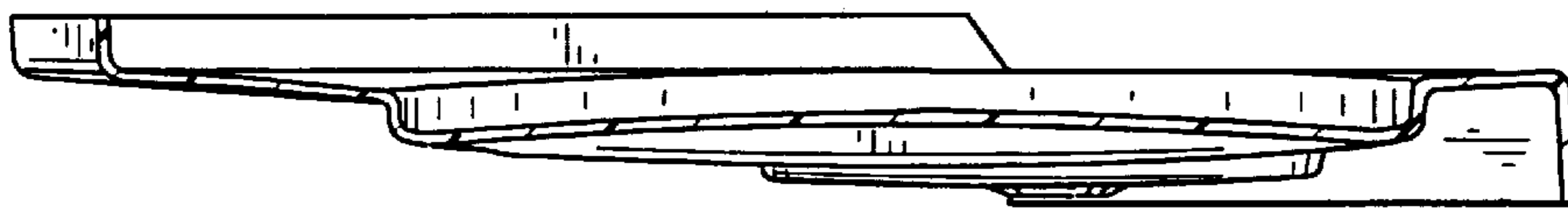


FIG. 22

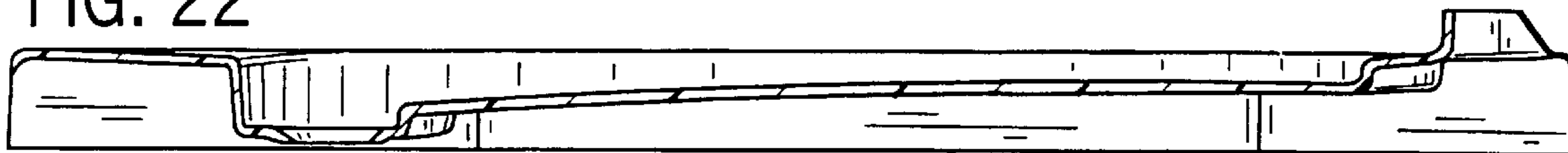


FIG. 23

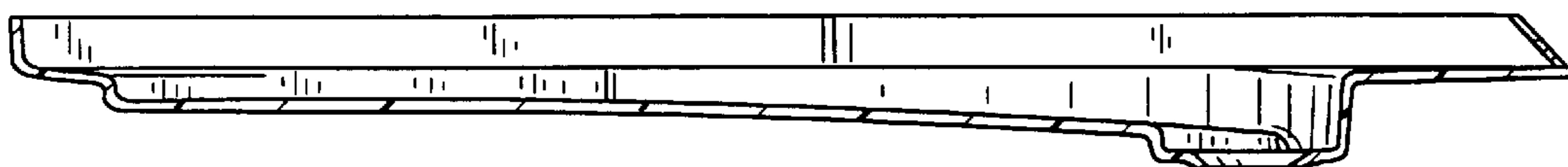


FIG. 24

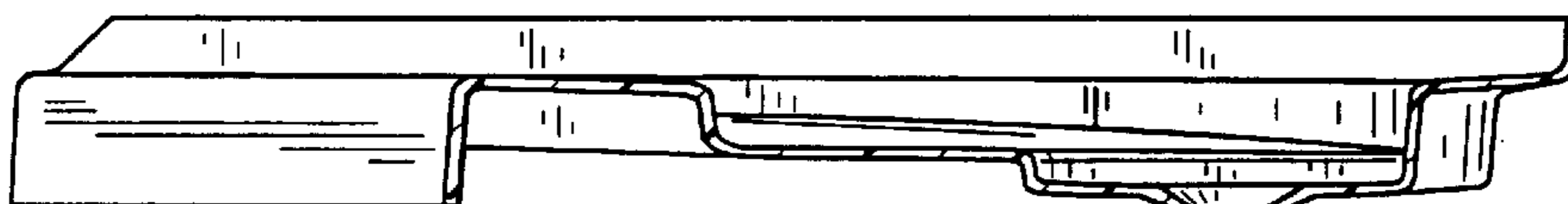
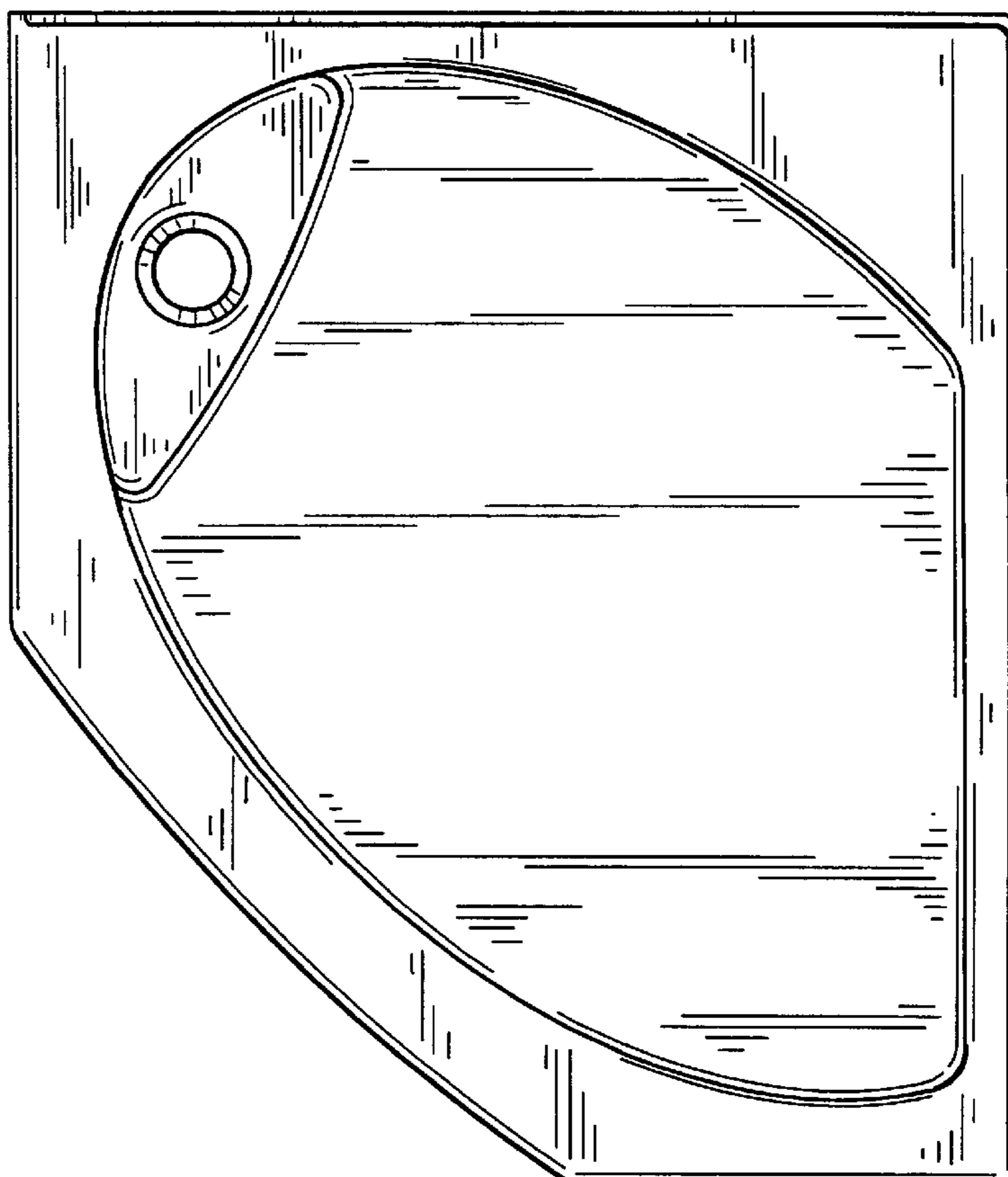


FIG. 25



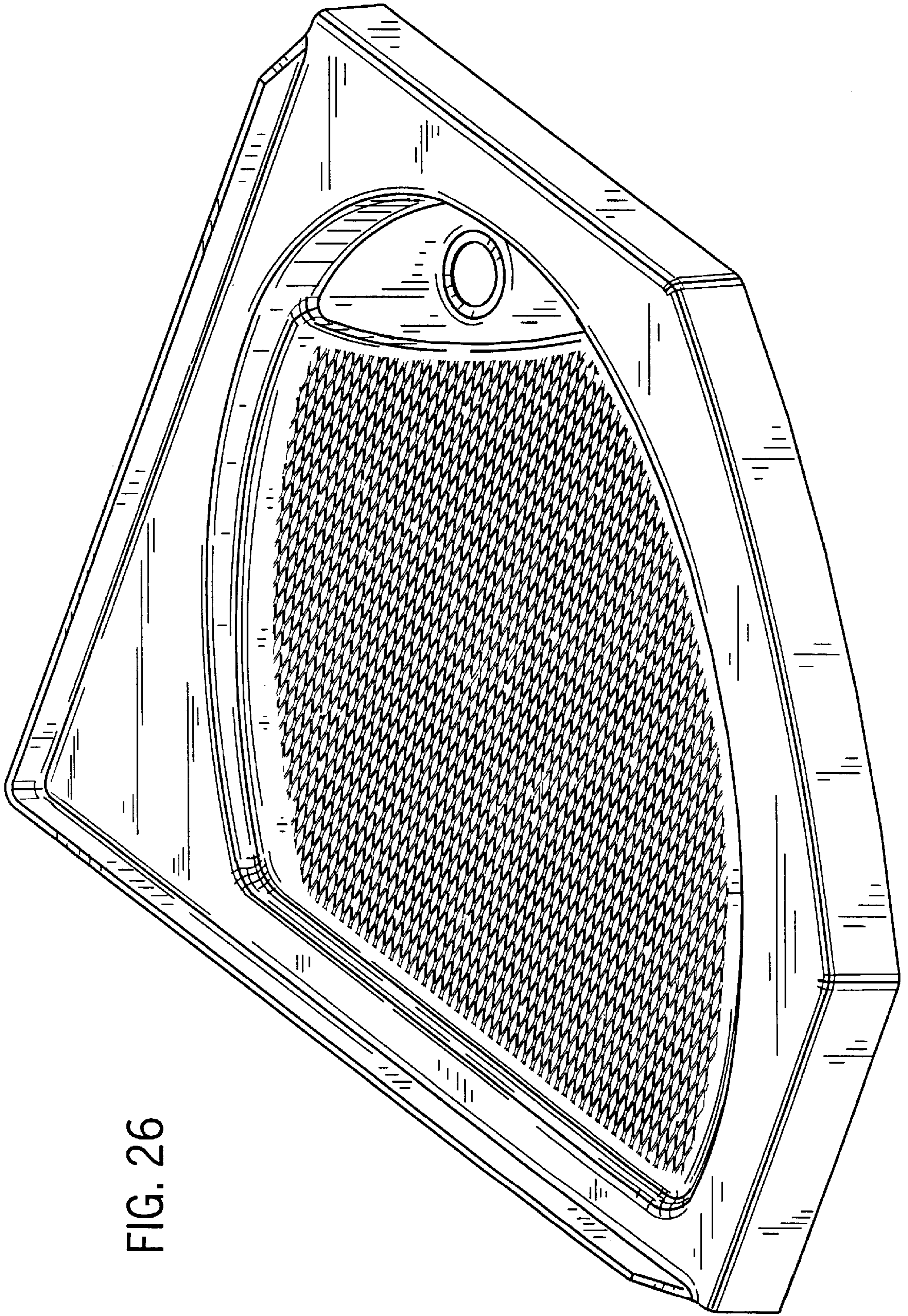


FIG. 26

FIG. 27

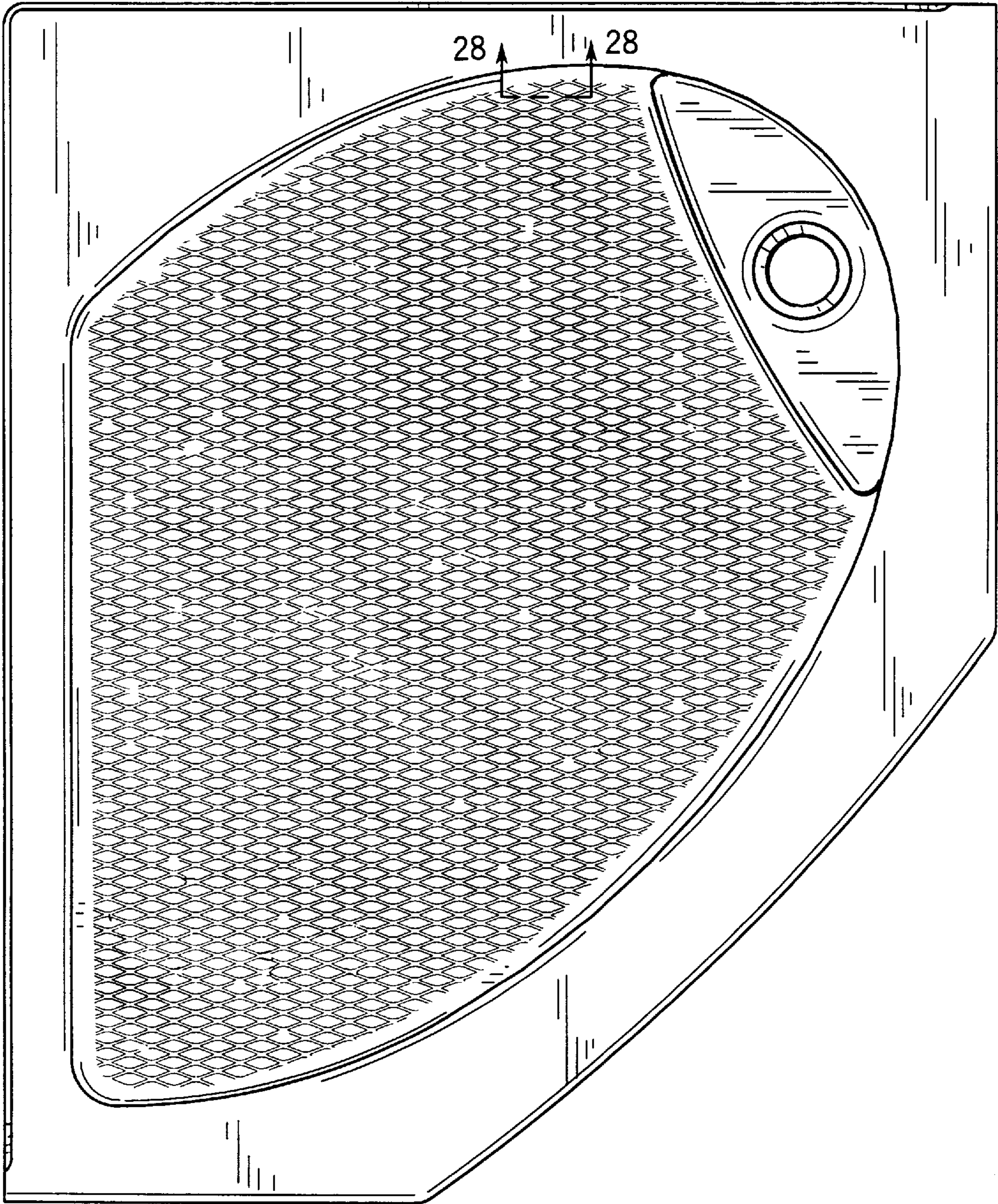


FIG. 28

FIG. 29

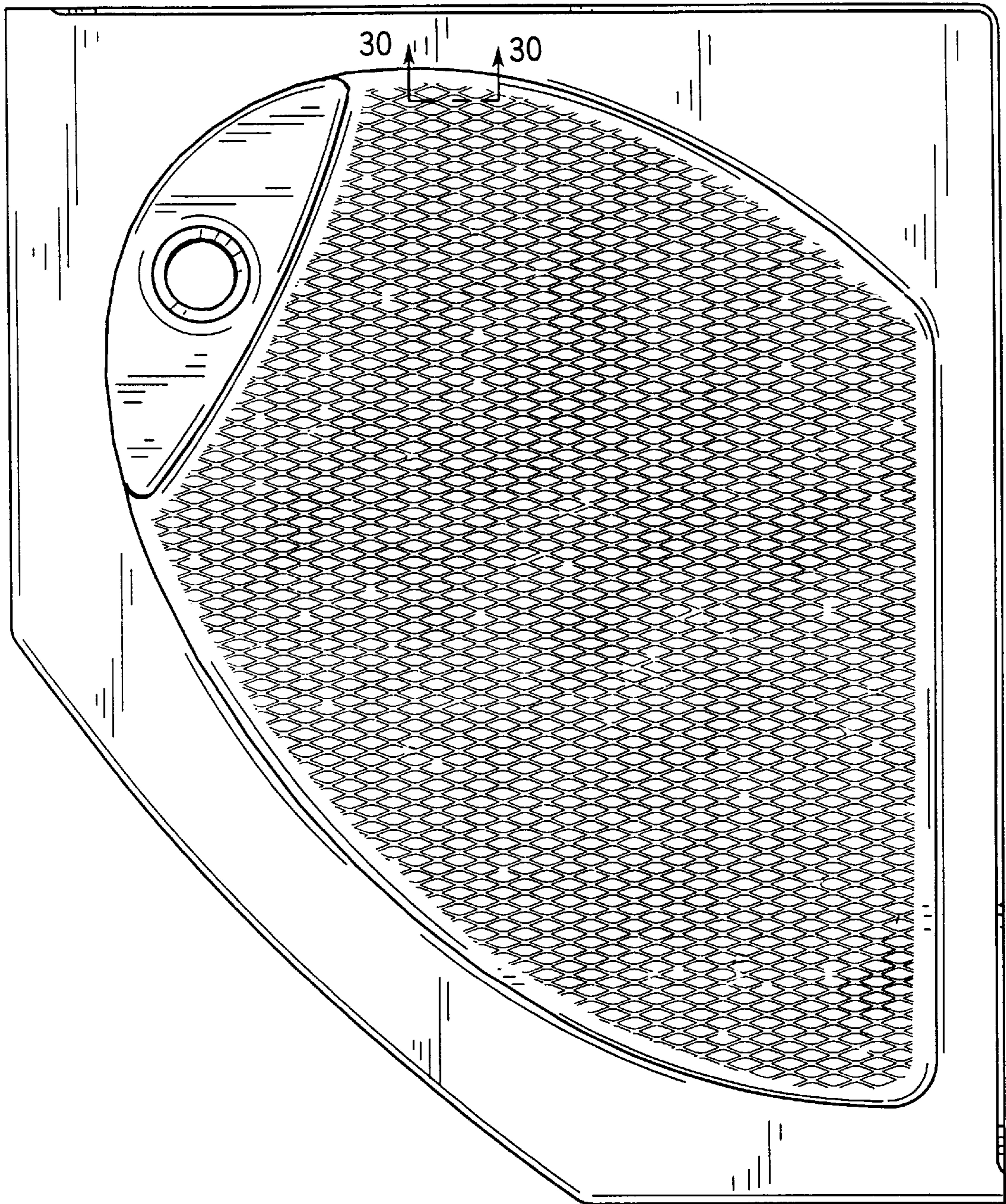


FIG. 30