



US00D404472S

United States Patent [19] Tickle

[11] **Patent Number: Des. 404,472**

[45] **Date of Patent: **Jan. 19, 1999**

[54] **BLOWOUT PLUG**

D. 370,709 6/1996 John D23/260
D. 375,786 11/1996 Morris D23/260

[75] Inventor: **David P. Tickle**, Summerfield, N.C.

OTHER PUBLICATIONS

[73] Assignee: **CAMCO Manufacturing, Inc.**,
Greensboro, N.C.

CAMCO catalog dated Oct. 1993 inside the front cover and on p. 4.

[**] Term: **14 Years**

Primary Examiner—Marcus A. Jackson

[21] Appl. No.: **88,375**

[57] CLAIM

[22] Filed: **May 21, 1998**

The ornamental design for a blowout plug, as shown and described.

[51] **LOC (6) Cl.** **23-01**

DESCRIPTION

[52] **U.S. Cl.** **D23/260**

[58] **Field of Search** D23/260, 261,
D23/262-269; 238/370, 371, 372; 138/89,
90, 91, 94; 285/121, 122, 126, 129, 175

FIG. 1 is a top, side perspective view of a blowout plug embodying my design with a protective cap;

FIG. 2 is a top plan view of the blowout plug as seen in FIG. 1 but with the protective cap removed;

FIG. 3 is a bottom plan view of the blowout plug as seen in FIG. 2;

FIG. 4 is a side elevational view thereof, all sides being substantially identical; and,

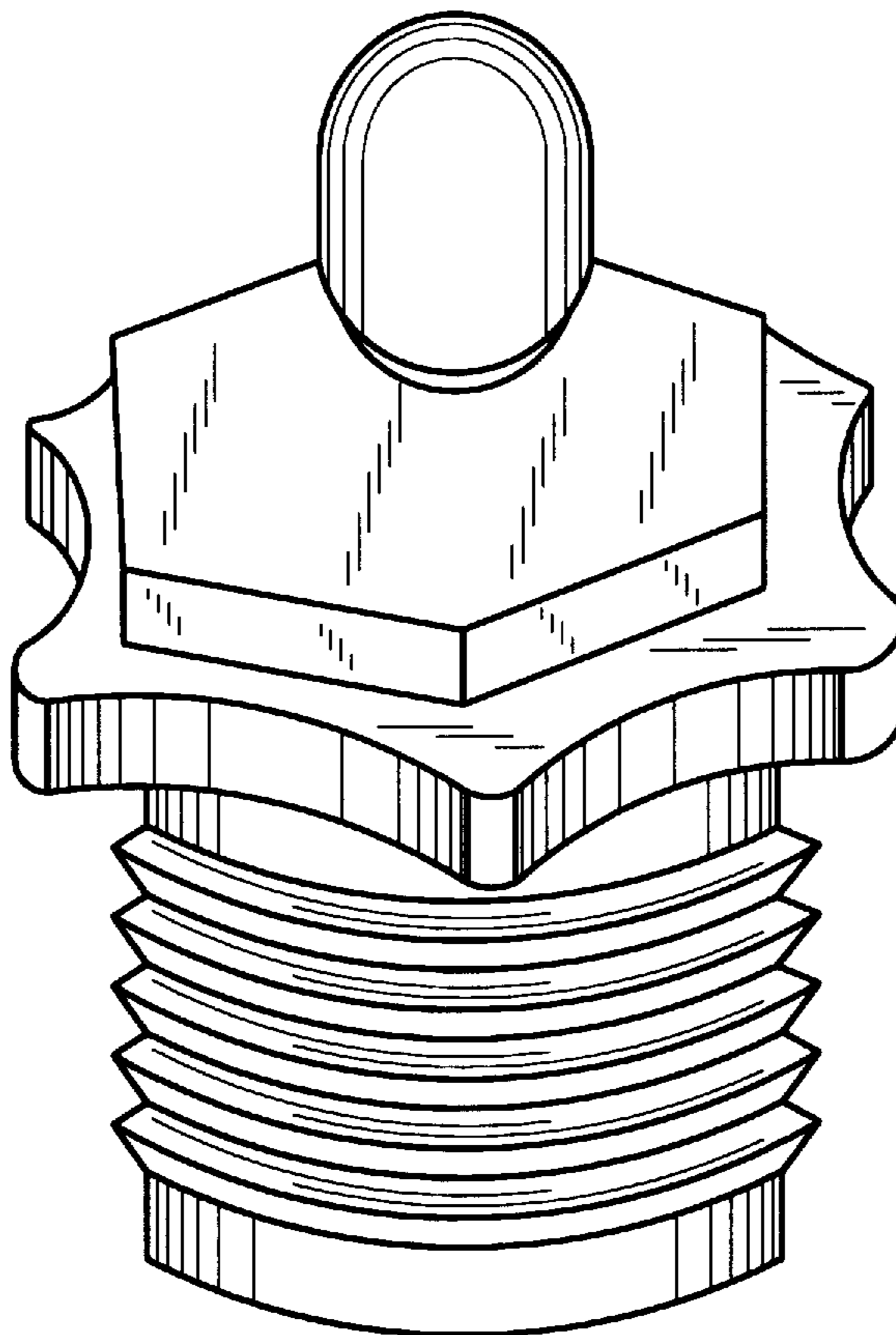
FIG. 5 is a cross-sectional view of the blowout plug as seen in FIG. 4 along lines 5—5.

[56] References Cited

U.S. PATENT DOCUMENTS

D. 176,640 1/1956 Smith D23/260
D. 194,437 1/1963 Salter D23/260
D. 344,242 2/1994 Weise et al. D23/260
D. 362,900 10/1995 Meska D23/260
D. 363,767 10/1995 Swaim D23/260

1 Claim, 2 Drawing Sheets



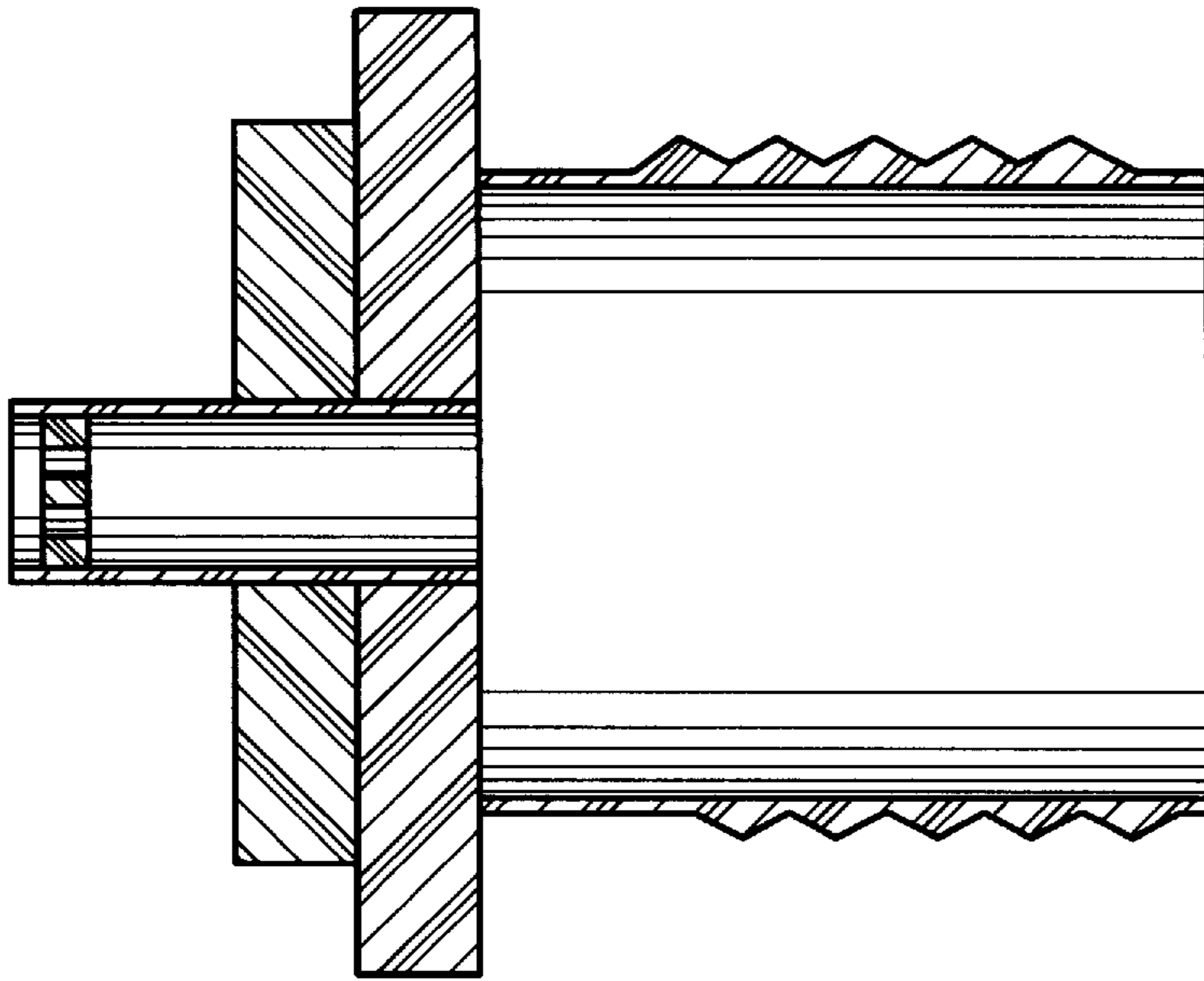


FIG. 5

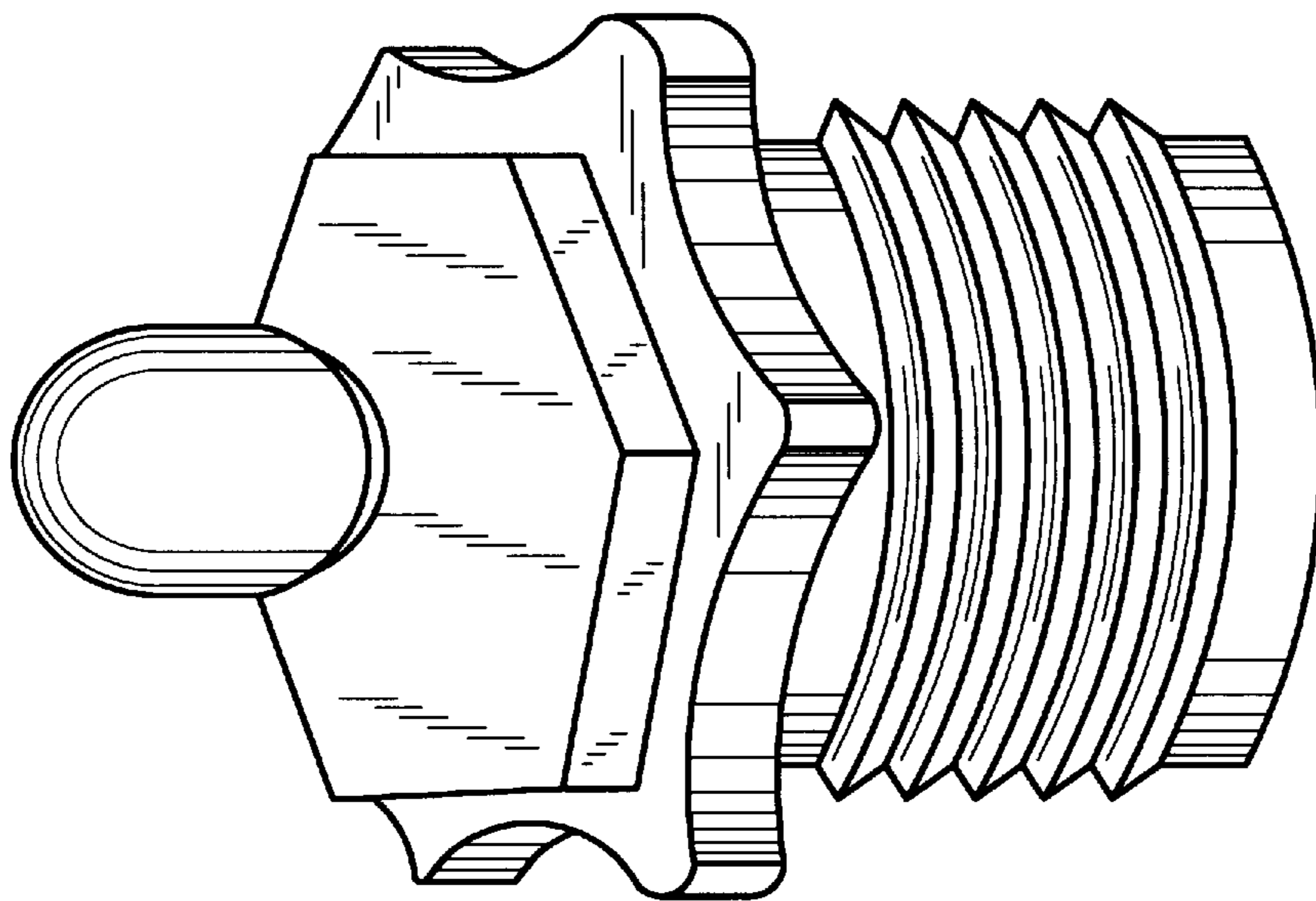


FIG. 1

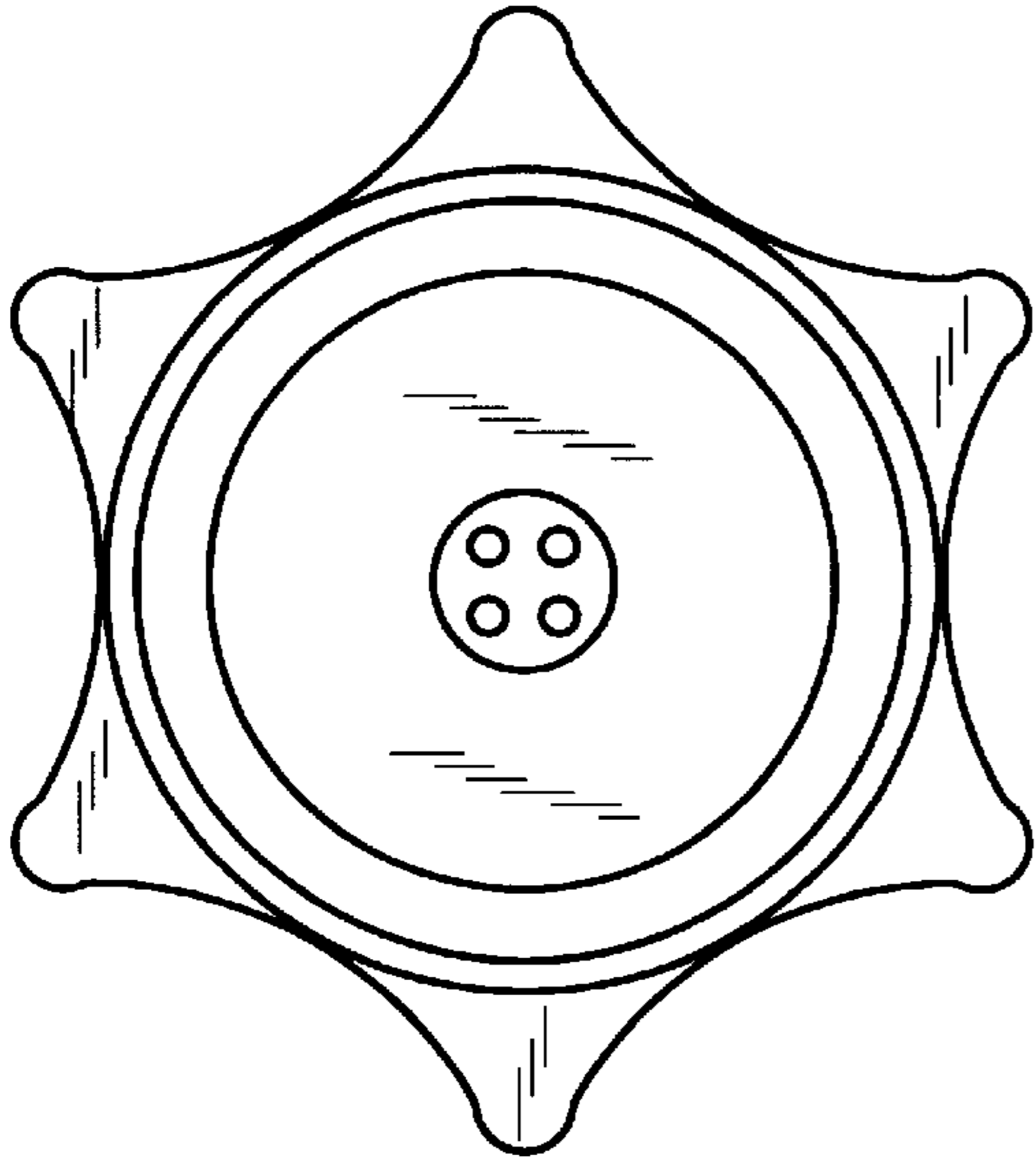


FIG. 3

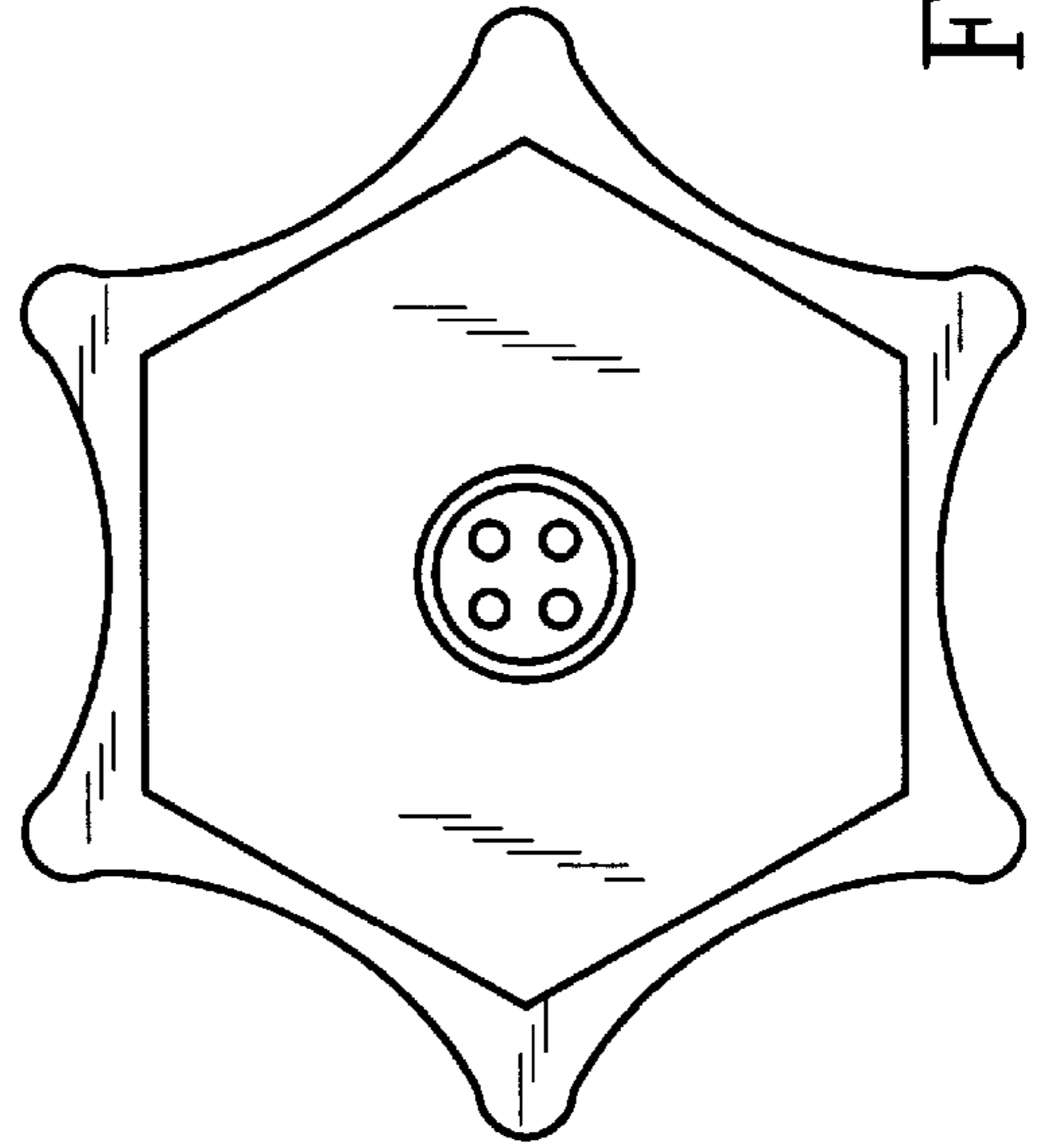


FIG. 2

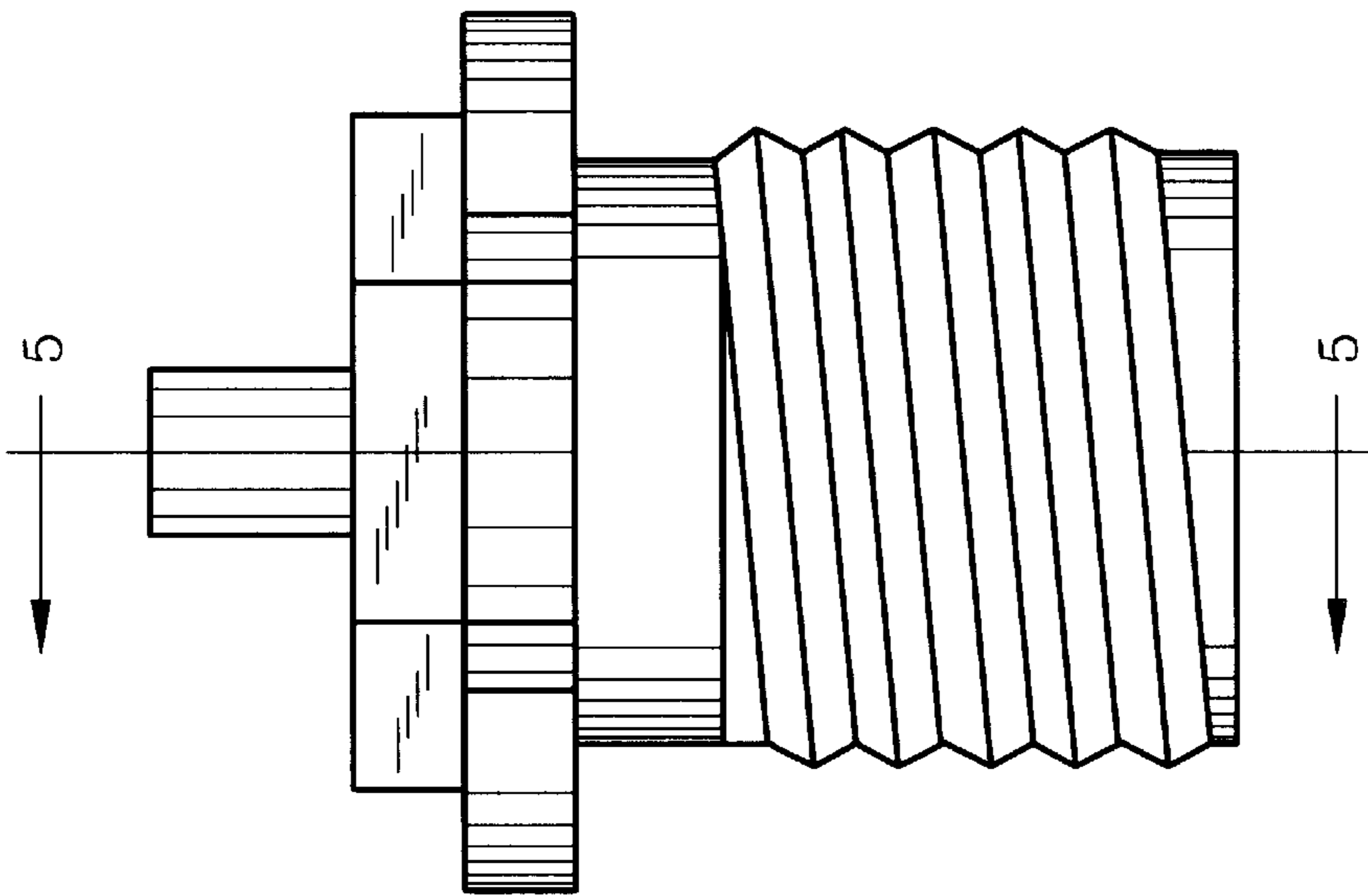


FIG. 4