



US00D404467S

United States Patent [19]

Doughty et al.

[11] Patent Number: **Des. 404,467**

[45] Date of Patent: *****Jan. 19, 1999**

[54] FAUCET

[75] Inventors: **Frederic C. Doughty**, South Pasadena;
Darren M. Mark, Valencia, both of Calif.

[73] Assignee: **Emhart Inc.**, Newark, Del.

[*] Notice: The term of this patent shall not extend beyond the expiration date of Pat. No. D. 392,026.

[**] Term: **14 Years**

[21] Appl. No.: **74,114**

[22] Filed: **Jul. 29, 1997**

[51] **LOC (6) Cl.** **23-01**

[52] **U.S. Cl.** **D23/242**

[58] **Field of Search** D23/238-243,
D23/250-257; 4/675-678; 137/801

[56] References Cited

U.S. PATENT DOCUMENTS

- D. 278,271 4/1985 Niemann .
- D. 279,598 7/1985 Rademacher .
- D. 280,008 8/1985 Miller et al. .
- D. 288,836 3/1987 Yost .
- D. 289,318 4/1987 Yost .
- D. 293,362 12/1987 Hill et al. .
- D. 318,717 7/1991 Spangler .
- D. 327,532 6/1992 Ko .
- D. 347,883 6/1994 Kolada et al. .
- D. 348,510 7/1994 Gottwald .
- D. 350,812 9/1994 Kolada et al. .
- D. 364,216 11/1995 Hill et al. .
- D. 368,302 3/1996 Doughty et al. .
- D. 372,300 7/1996 Fabian .
- D. 377,516 1/1997 Doughty et al. .
- D. 378,230 2/1997 Doughty et al. .
- D. 384,394 9/1997 Doughty et al. .
- D. 384,397 9/1997 Doughty et al. .
- D. 384,400 9/1997 Doughty et al. .

- D. 385,016 10/1997 Doughty et al. .
- 3,427,049 2/1969 Politz .

OTHER PUBLICATIONS

- American Standard, Inc. "Sottini Azimuth" and the Cadet Collection; 1991.
- Artistic Brass; "Bath & Accessories" and the Cadet Prestige faucet; 1996.
- Artistic Brass; "Bath & Accessories" and the Cadet Collection; 1996.
- Artistic Brass; "32 Series"; 1989.
- Artistic Brass; "34 Series", 63 Series, 64 Series, and 68 Series faucets; 1991.
- Delta Faucet Company; "NeoStyle" faucet; 1992.
- Raphael Ltd.; "Venetian" faucet; 1988.
- Price Pfister, Inc.; 1991.
- Price Pfister, Inc.; "Product Portfolio"; 1994.
- Price Pfister, Inc.; "Pocket Portfolio"; 1997.

Primary Examiner—Louis S. Zarfes
Assistant Examiner—Eric Watterson
Attorney, Agent, or Firm—Harold Weinstein

[57] CLAIM

The ornamental design for faucet, as shown and described.

DESCRIPTION

FIG. 1 is a perspective view of our new design of the faucet; FIG. 2 is a front elevational view of our new design of the faucet; FIG. 3 is a rear elevational view of our new design of the faucet; FIG. 4 is a right side elevational view of our new design of the faucet; FIG. 5 is a left side elevational view of our new design of the faucet; FIG. 6 is a top plan view of our new design of the faucet; and, FIG. 7 is a bottom plan view of our new design of the faucet.

1 Claim, 6 Drawing Sheets

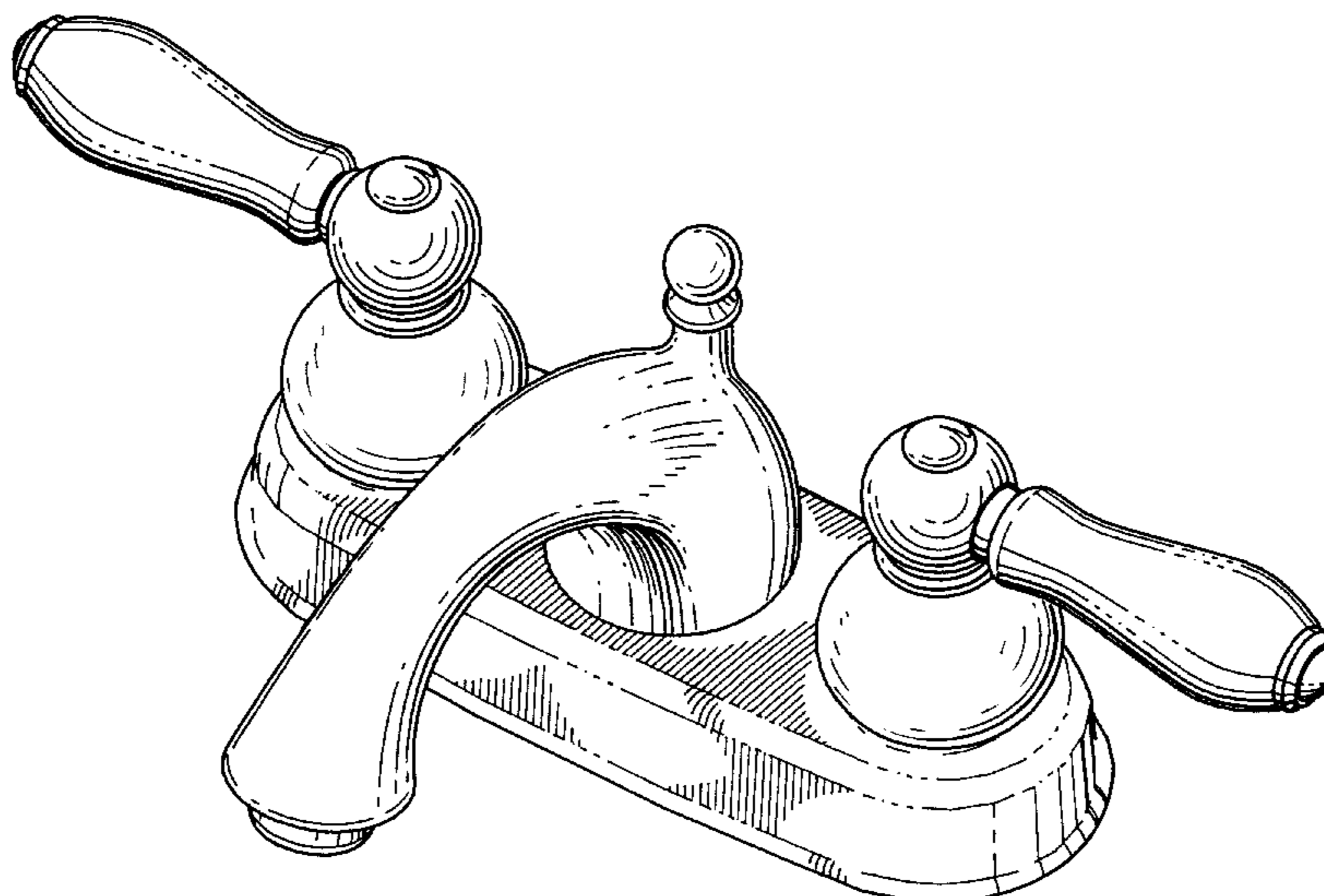
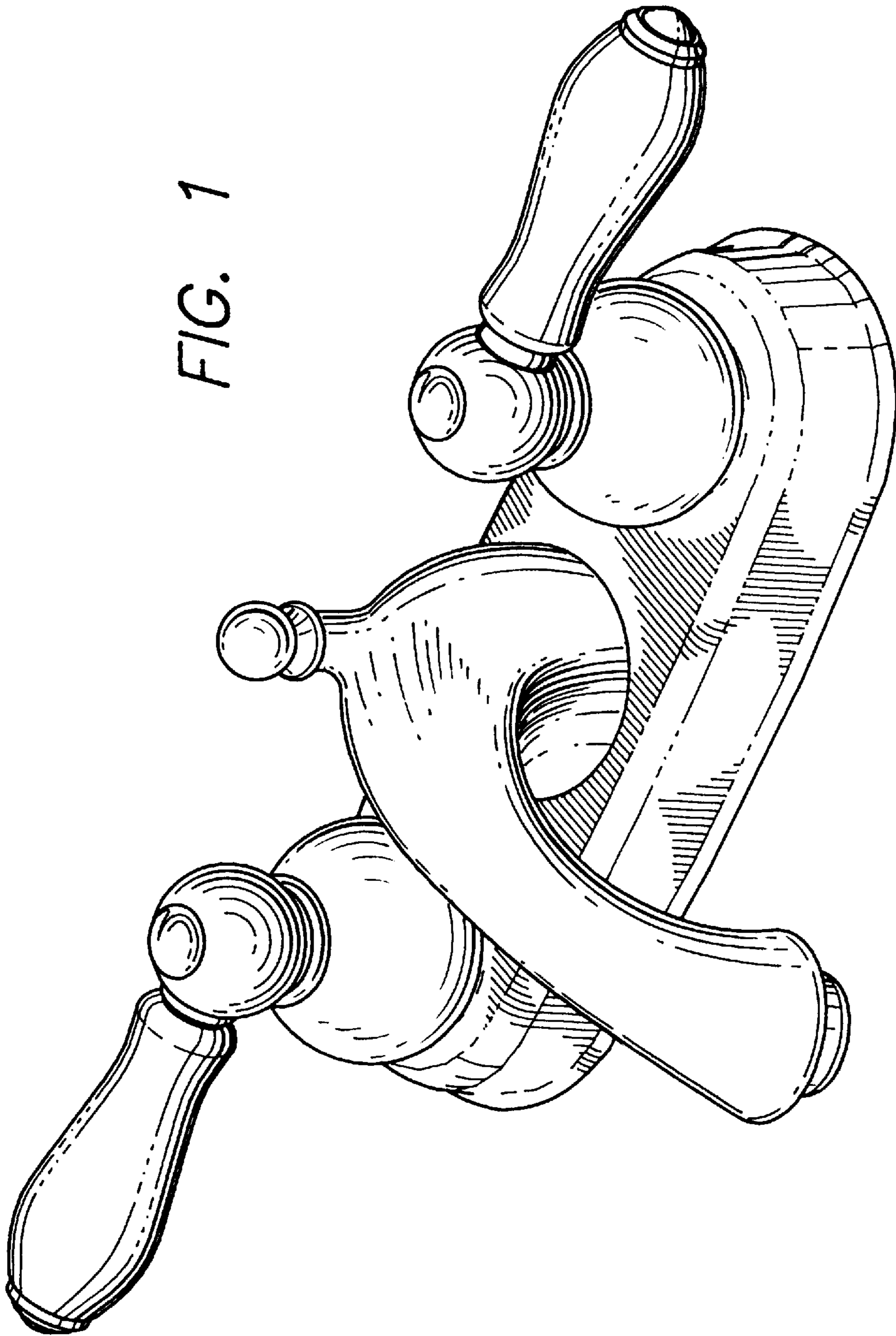


FIG. 1



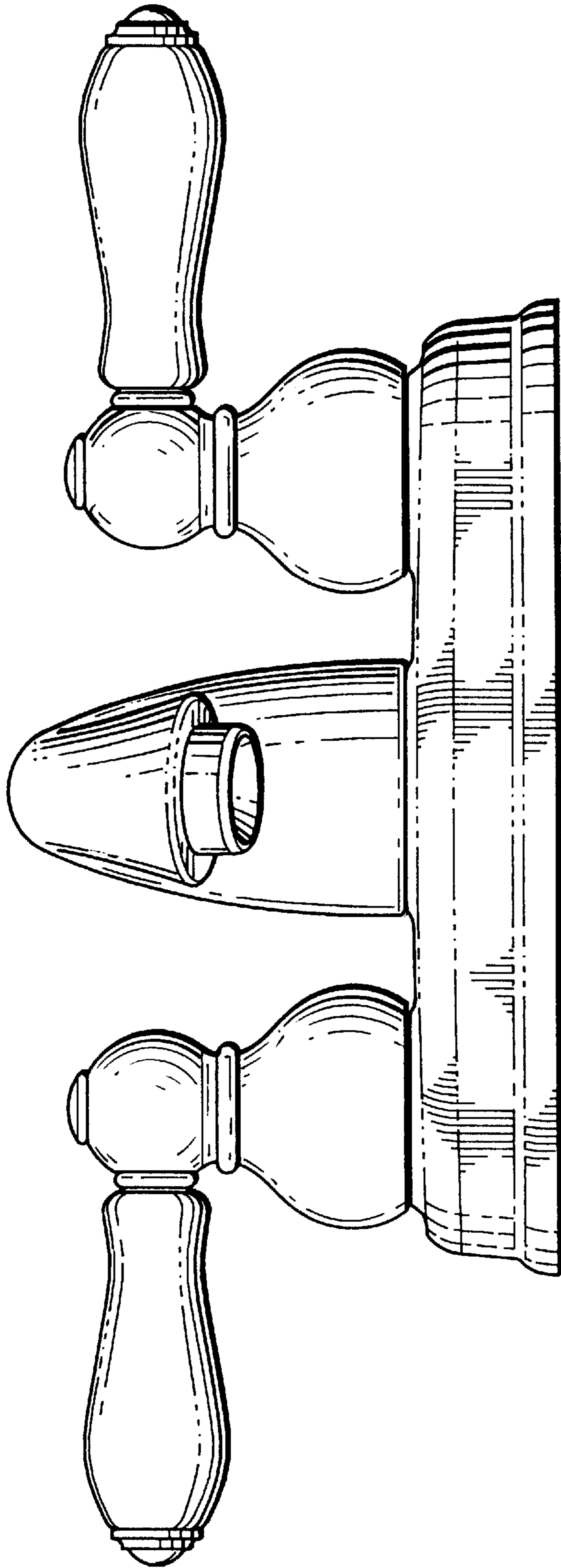


FIG. 2

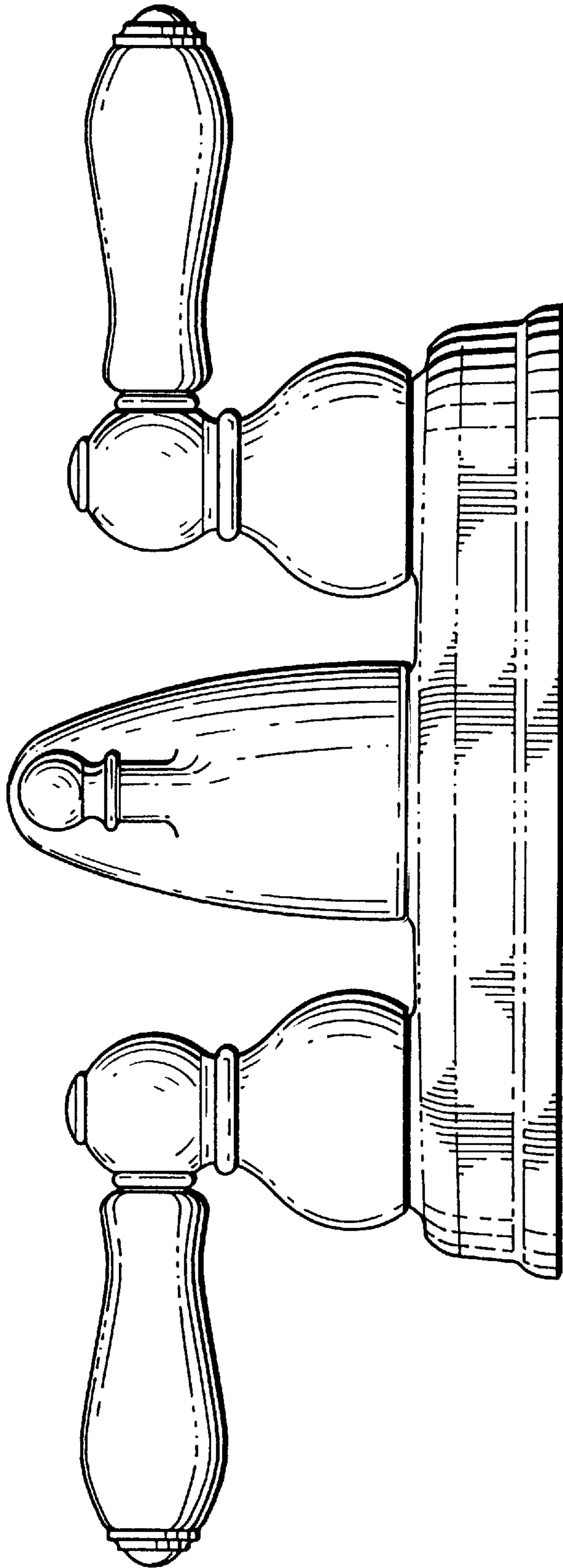


FIG. 3

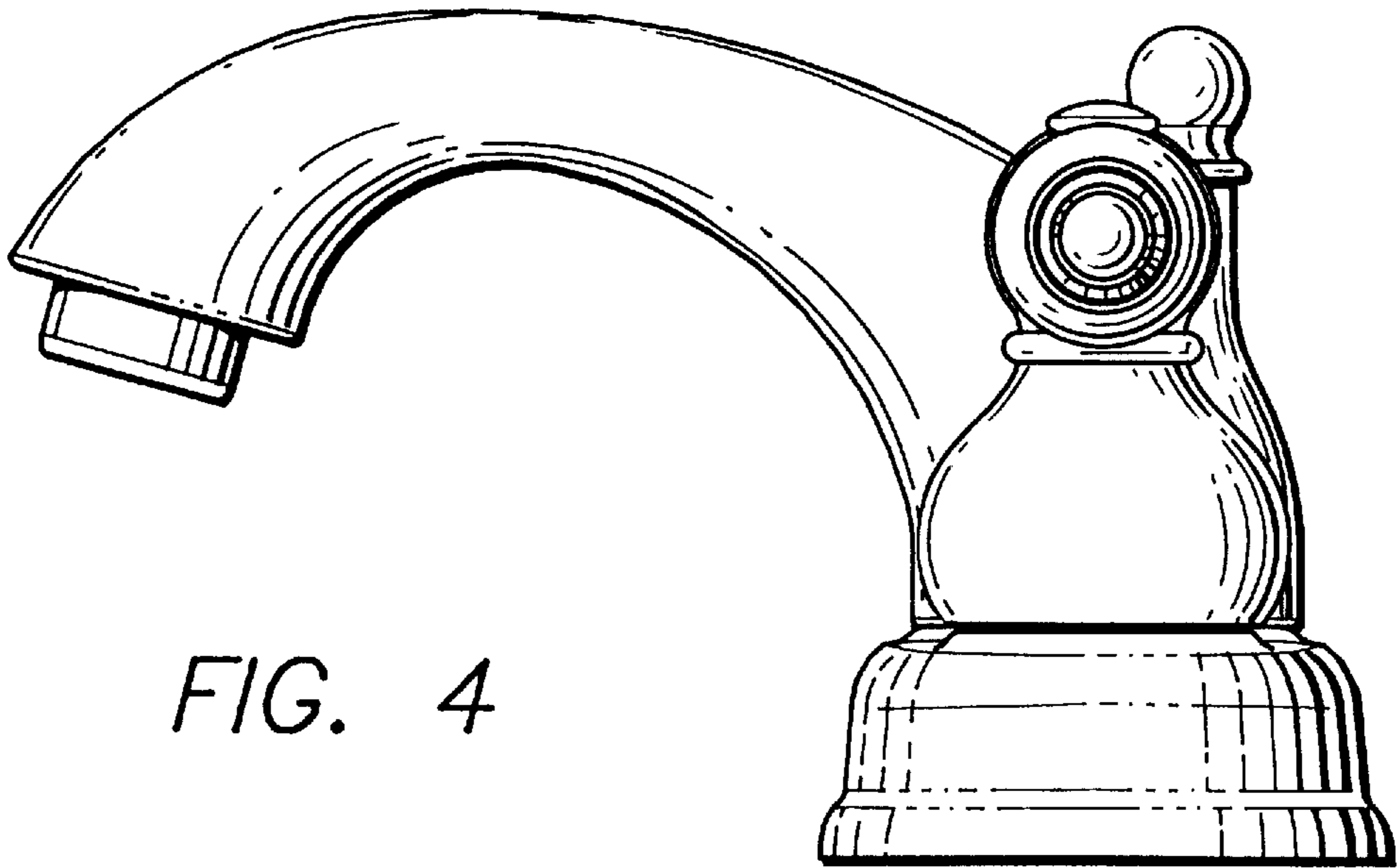


FIG. 4

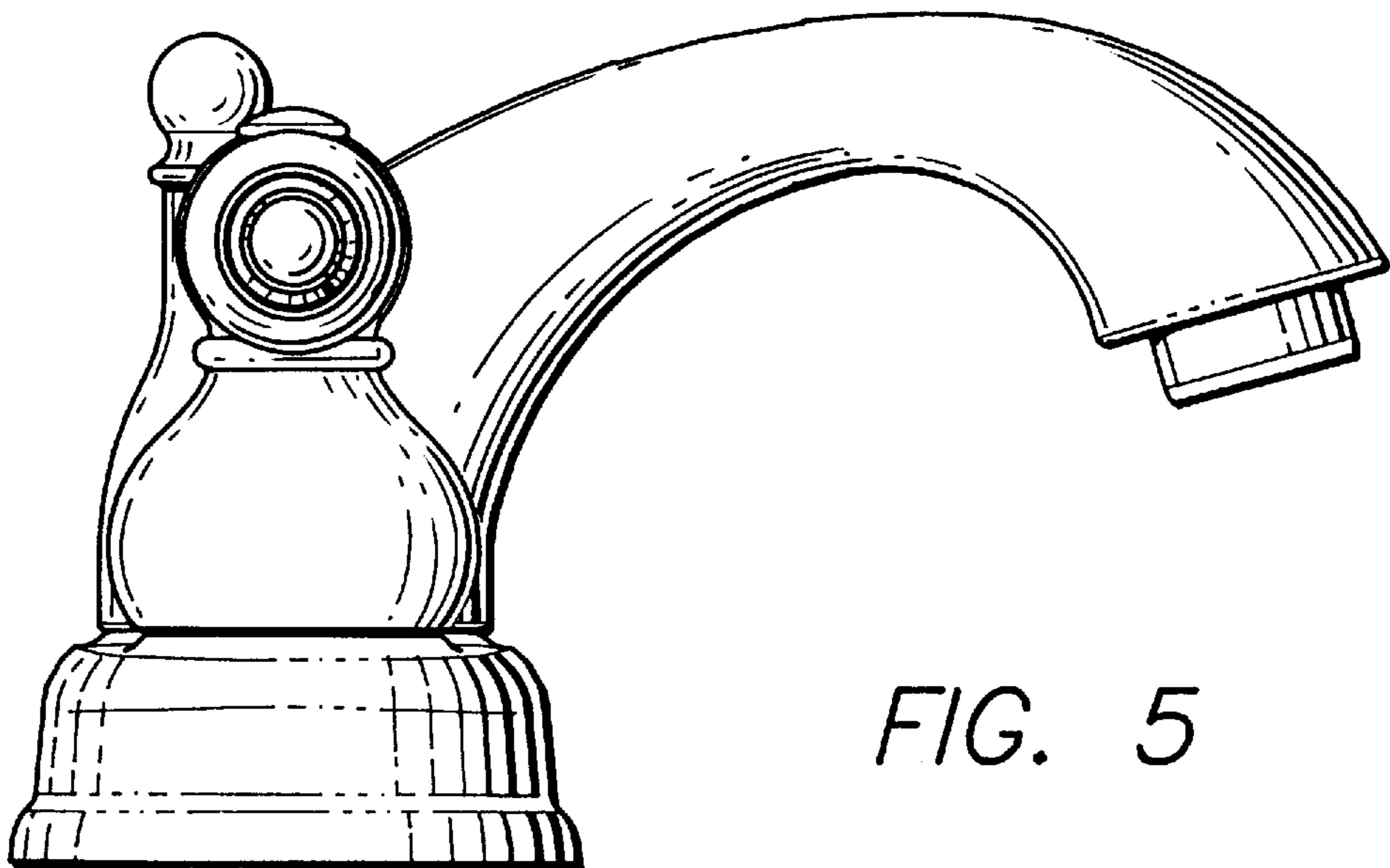


FIG. 5

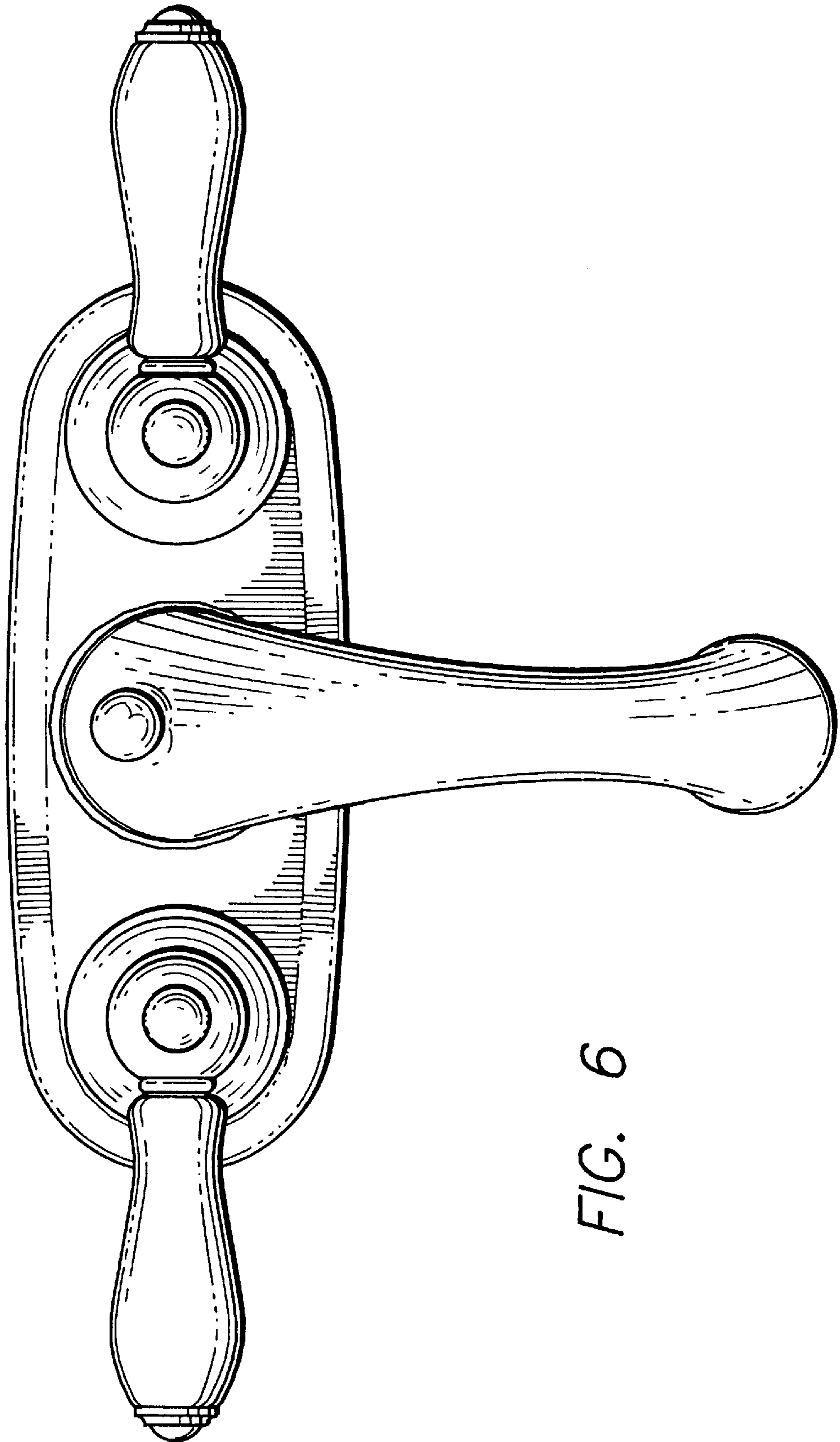


FIG. 6

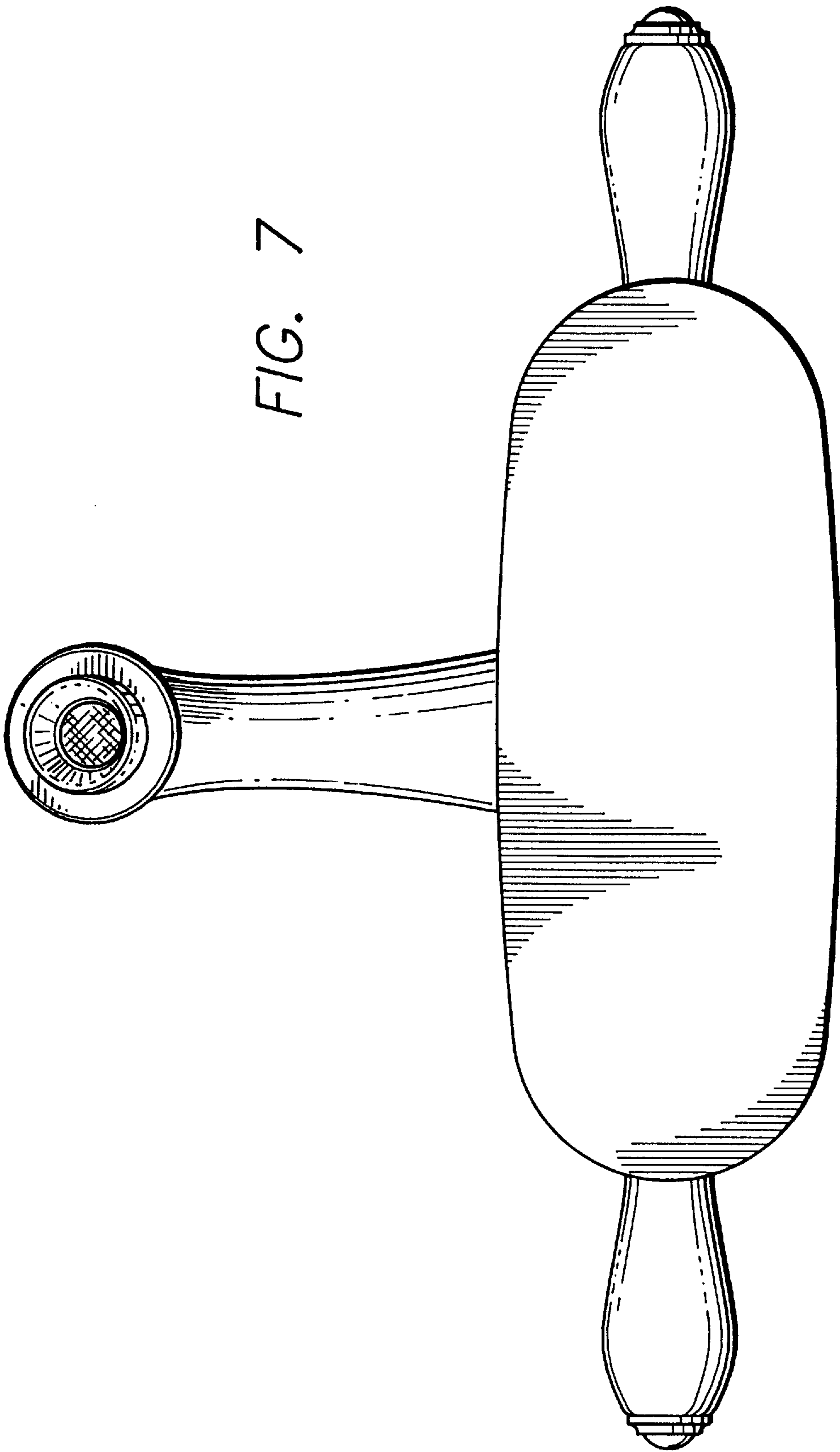


FIG. 7