



US00D404466S

United States Patent [19] Lord

[11] Patent Number: Des. 404,466

[45] Date of Patent: **Jan. 19, 1999

[54] FAUCET BASE PLATE

[75] Inventor: Judd A. Lord, Carmel, Ind.

[73] Assignee: Masco Corporation of Indiana,
Indianapolis, Ind.

[**] Term: 14 Years

[21] Appl. No.: 72,109

[22] Filed: Jun. 10, 1997

[51] LOC (6) Cl. 23-01

[52] U.S. Cl. D23/238

[58] Field of Search D23/238-243,
D23/250-257; 4/675-678; 137/801

[56] References Cited

U.S. PATENT DOCUMENTS

- D. 157,018 1/1950 Young .
- D. 182,867 5/1958 Young .
- D. 193,885 10/1962 Andrews .
- D. 197,000 11/1963 Landell .
- D. 203,246 12/1965 Harvey .
- D. 207,044 2/1967 Hurwitz .
- D. 219,779 1/1971 Tiller .
- D. 235,546 6/1975 Landell .
- D. 253,799 1/1980 Saporito et al. .
- D. 260,677 9/1981 Thevenot .
- D. 297,357 8/1988 Spangler .
- D. 297,358 8/1988 Hill .
- D. 331,795 12/1992 Hill et al. .
- D. 360,679 7/1995 Doughty et al. .
- D. 367,917 3/1996 Haug et al. .
- D. 374,706 10/1996 Doughty et al. .
- D. 374,708 10/1996 Doughty et al. .
- D. 375,145 10/1996 Doughty et al. .

- D. 375,146 10/1996 Doughty et al. .
- D. 376,414 12/1996 Doughty et al. .
- 3,427,049 2/1969 Politz .
- 4,804,010 2/1989 Meissenburg .

OTHER PUBLICATIONS

Epic Catalog, p. 4, 1989.
 Delta Full Line Price List, pp. 10 and 16, 1992.
 Delta HDF Commercial Producers Catalog, 4 pages, 1987.
 Delta Full Line Catalog, 2 pages, 1991.

Primary Examiner—Louis S. Zarfes
 Assistant Examiner—Eric Watterson
 Attorney, Agent, or Firm—Myron B. Kapustij; Leon E. Redman

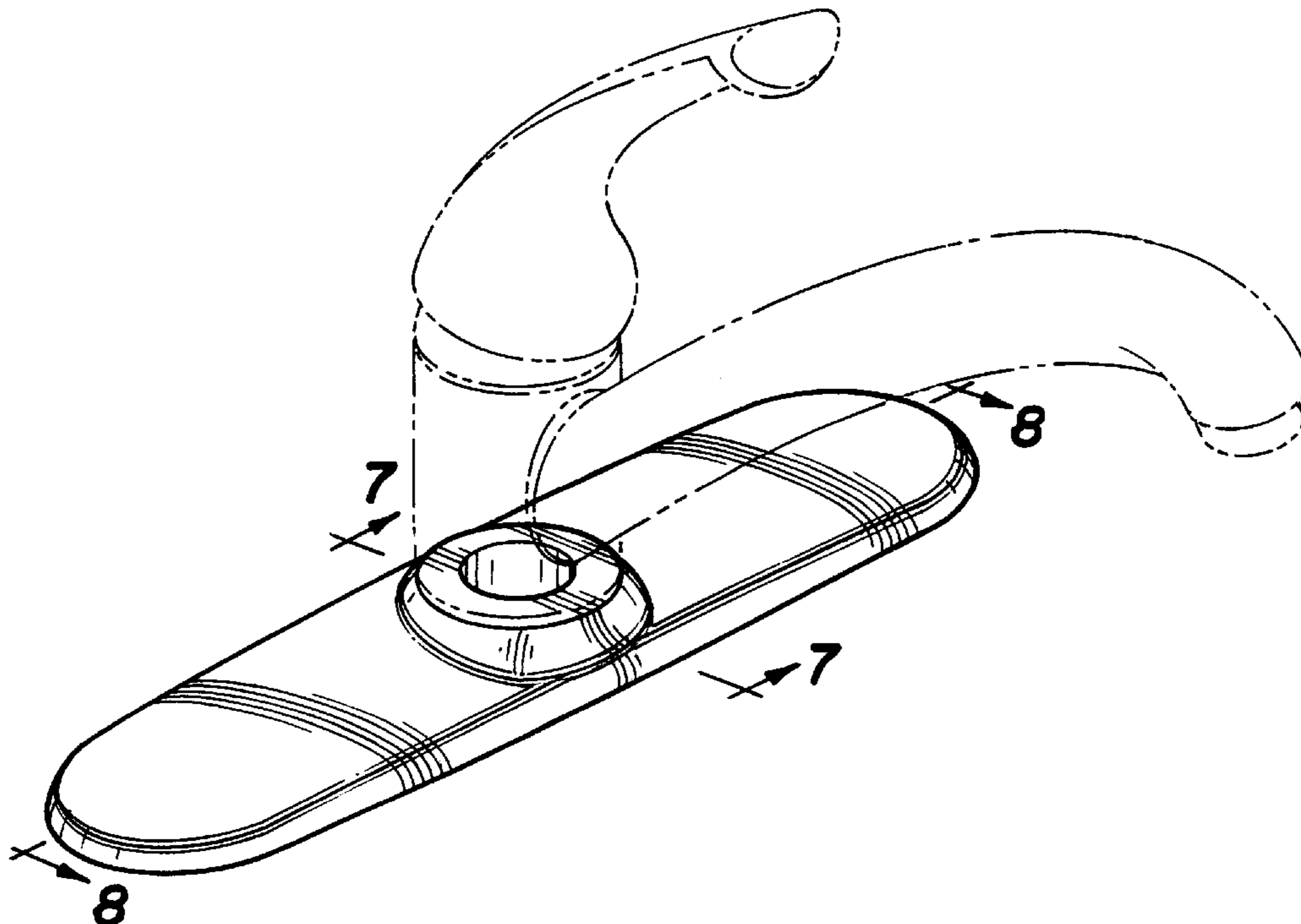
[57] CLAIM

The ornamental design for a faucet base plate, as shown and described.

DESCRIPTION

FIG. 1 is a front perspective view of a faucet base plate showing my new design;
 FIG. 2 is a top plan view thereof;
 FIG. 3 is a front elevational view thereof;
 FIG. 4 is a rear elevational view thereof;
 FIG. 5 is a right side elevational view thereof;
 FIG. 6 is a bottom plan view thereof;
 FIG. 7 is a cross-sectional view taken along line 7—7 in FIG. 1; and,
 FIG. 8 is a cross-sectional view taken along line 8—8 in FIG. 2.
 The broken line showings of the faucet and handle in FIG. 1 are for purposes of illustration only and form no part of the claimed design.

1 Claim, 3 Drawing Sheets



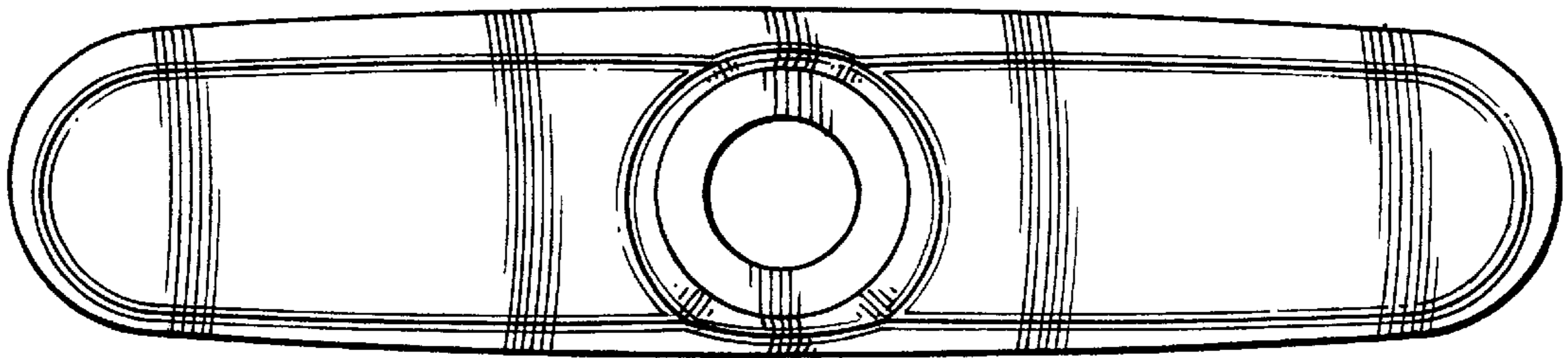
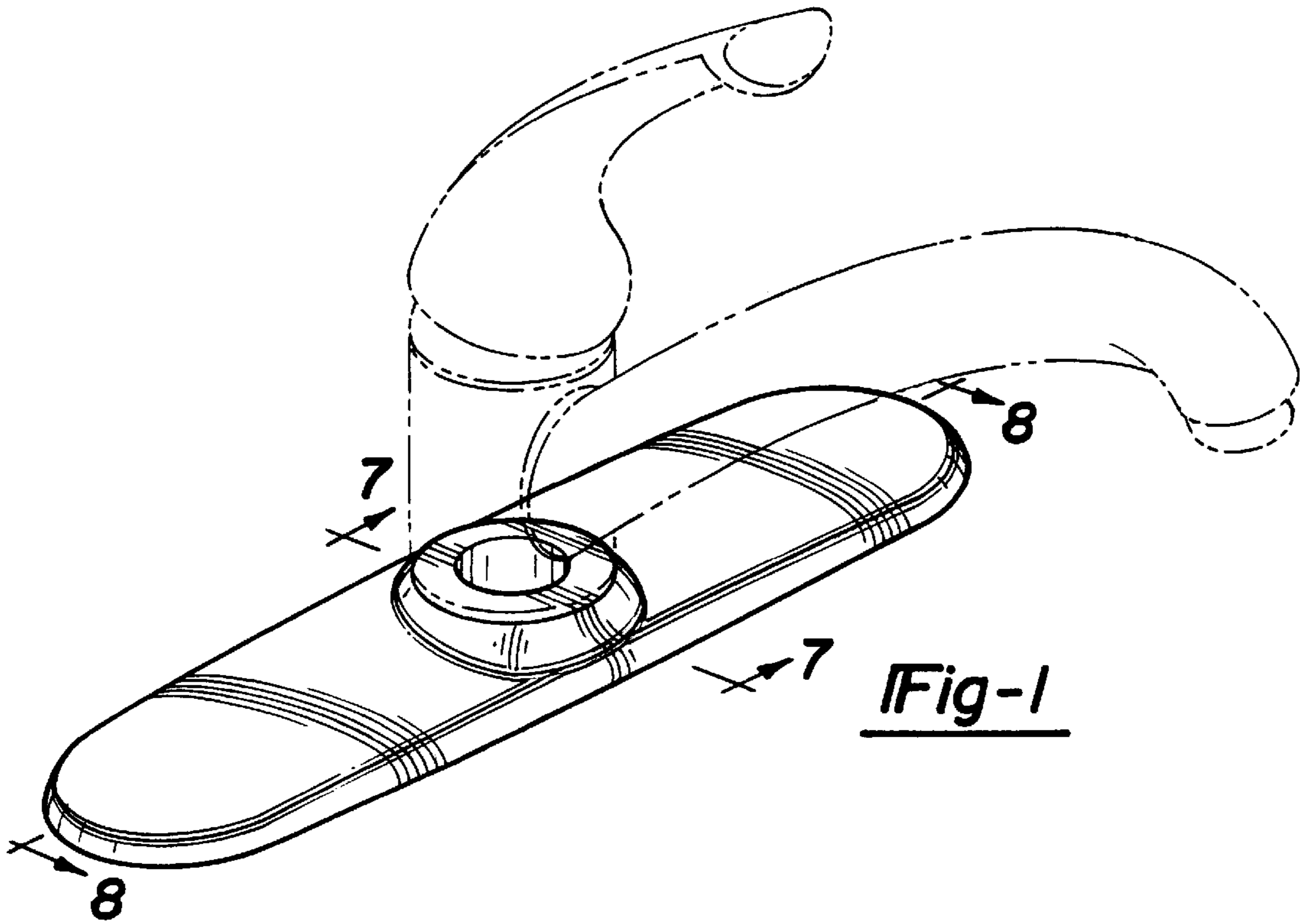


Fig-2

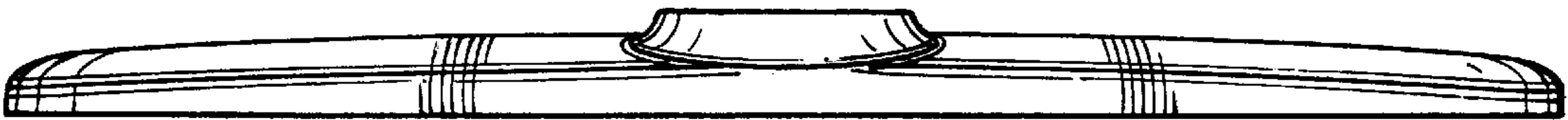


Fig-3

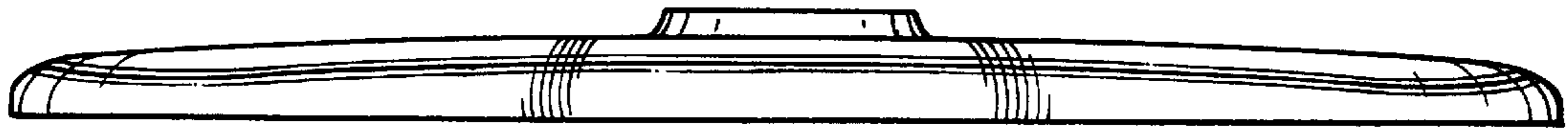


Fig-4

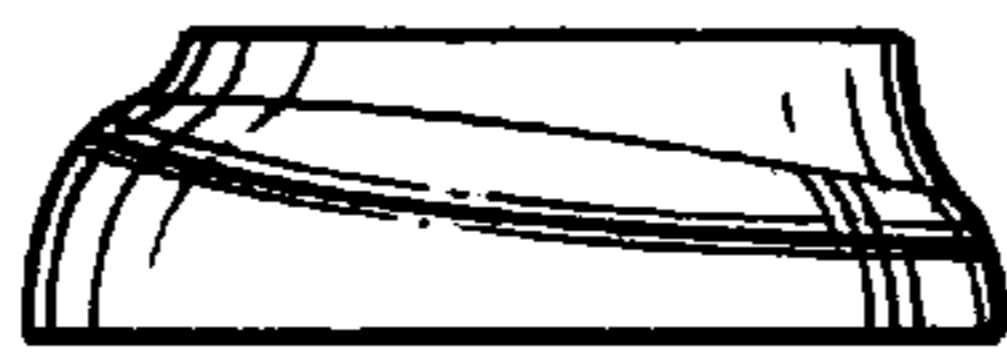


Fig-5

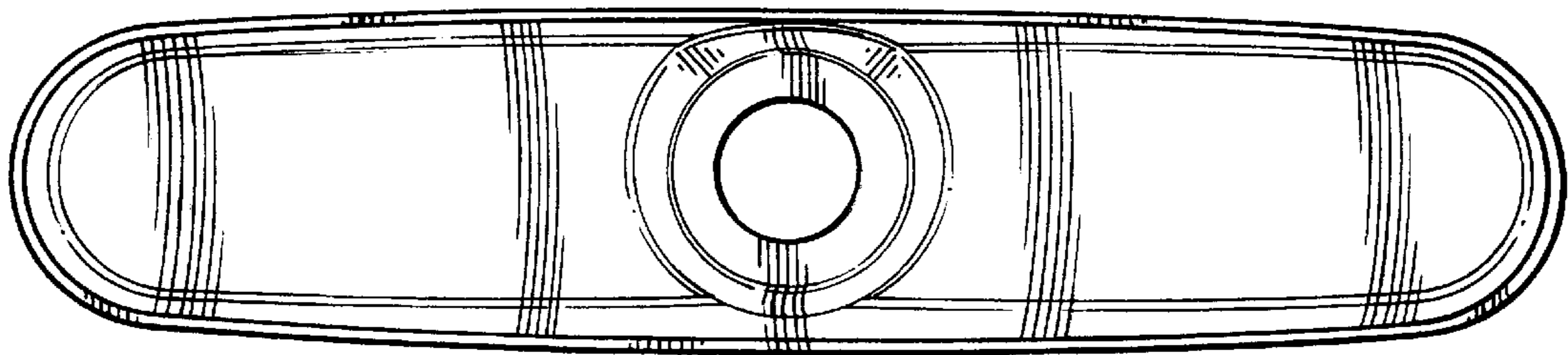


Fig-6

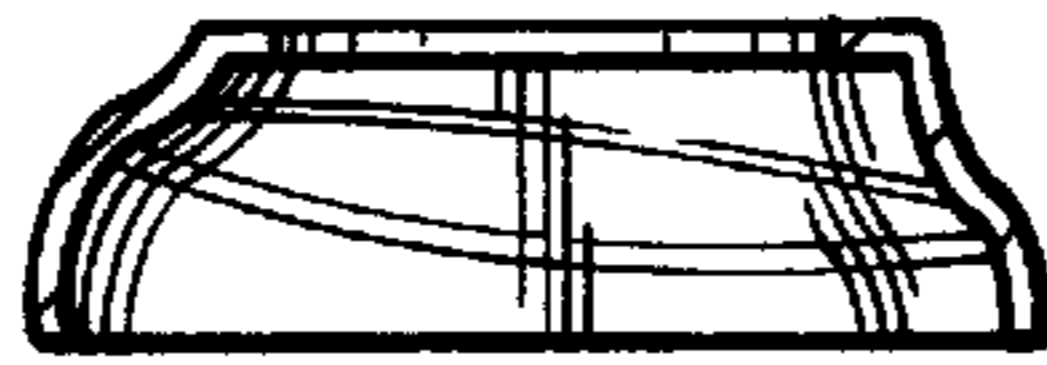


Fig-7



Fig-8