



US00D404463S

United States Patent [19]

Antel et al.

[11] **Patent Number: Des. 404,463**

[45] **Date of Patent: **Jan. 19, 1999**

[54] **SPRINKLER BASE**

[75] Inventors: **William E. Antel**, Murray Bridge;
Lyll John Causby, Banksia Park;
Mark Simon Ledson, Pasadena, all of
Australia

[73] Assignee: **Antelco Pty. Ltd.**, Australia

[**] Term: **14 Years**

[21] Appl. No.: **69,077**

[22] Filed: **Mar. 24, 1997**

[30] **Foreign Application Priority Data**

Sep. 24, 1996 [AU] Australia 3275/96
Sep. 24, 1996 [AU] Australia 3276/96

[51] **LOC (6) Cl. 23-01**

[52] **U.S. Cl. D23/221**

[58] **Field of Search D23/213, 214-217,
D23/221; 239/273, 288, 288.3, 288.5, 280**

[56] **References Cited**

U.S. PATENT DOCUMENTS

D. 142,401 9/1945 Goggins D23/221
D. 263,868 4/1982 Chow D23/221
D. 326,502 5/1992 Arnold D23/221

D. 358,449 5/1995 Ford D23/214
1,780,233 11/1930 Jenkins D23/221
5,683,035 11/1997 Wang 239/394

OTHER PUBLICATIONS

Nelson Lawn and Garden catalog; Items # N-48FC and N-48SC sprinklers; p. 7, 1986.

Lawn and Garden products by Rainbird; item # RO-50 Sprinkler, 1995.

Nelson catalog; item #1922 sled base; p. 19, 1995.

Primary Examiner—Alan P. Douglas

Assistant Examiner—Robin V. Taylor

Attorney, Agent, or Firm—Brown, Martin, Haller & McClain, LLP

[57] **CLAIM**

The ornamental design for a sprinkler base, as shown and described.

DESCRIPTION

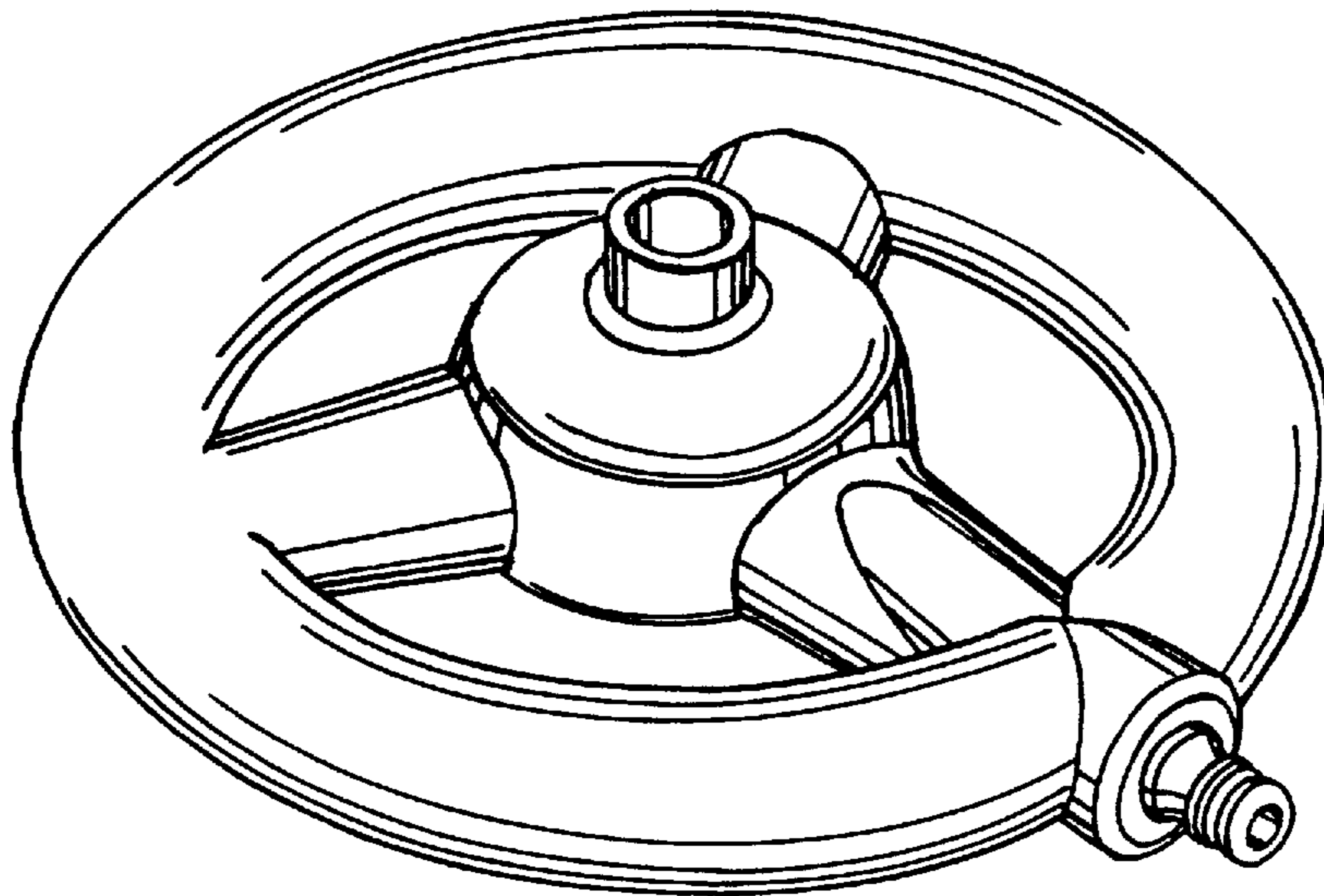
FIG. 1 is a top perspective view of a sprinkler base according to the invention;

FIG. 2 is a bottom plan view of the article shown in FIG. 1;

FIG. 3 is a top plan view of the article of FIG. 1; and,

FIG. 4 is a side view of the article shown in FIG. 1.

1 Claim, 1 Drawing Sheet



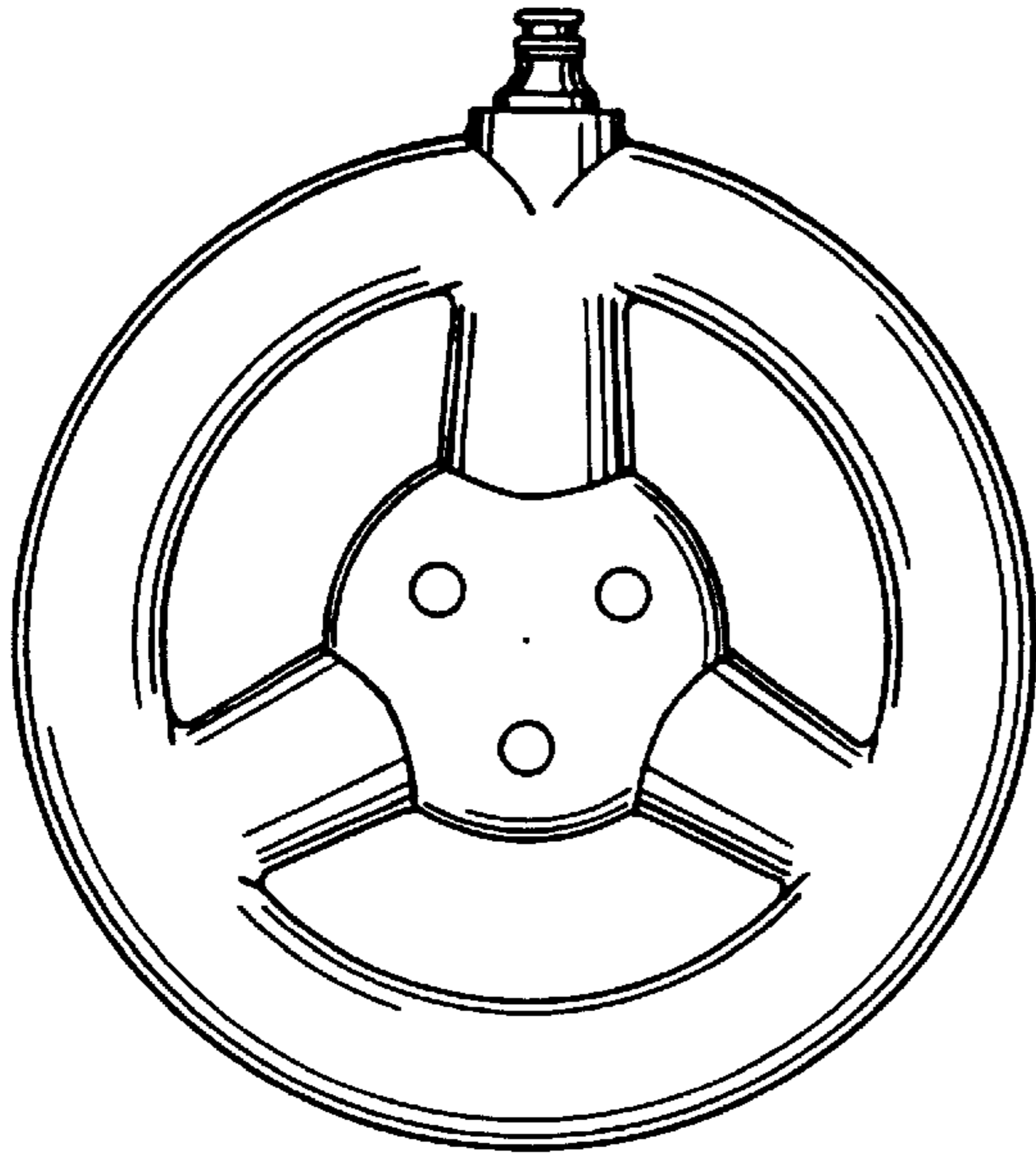


FIG. 2

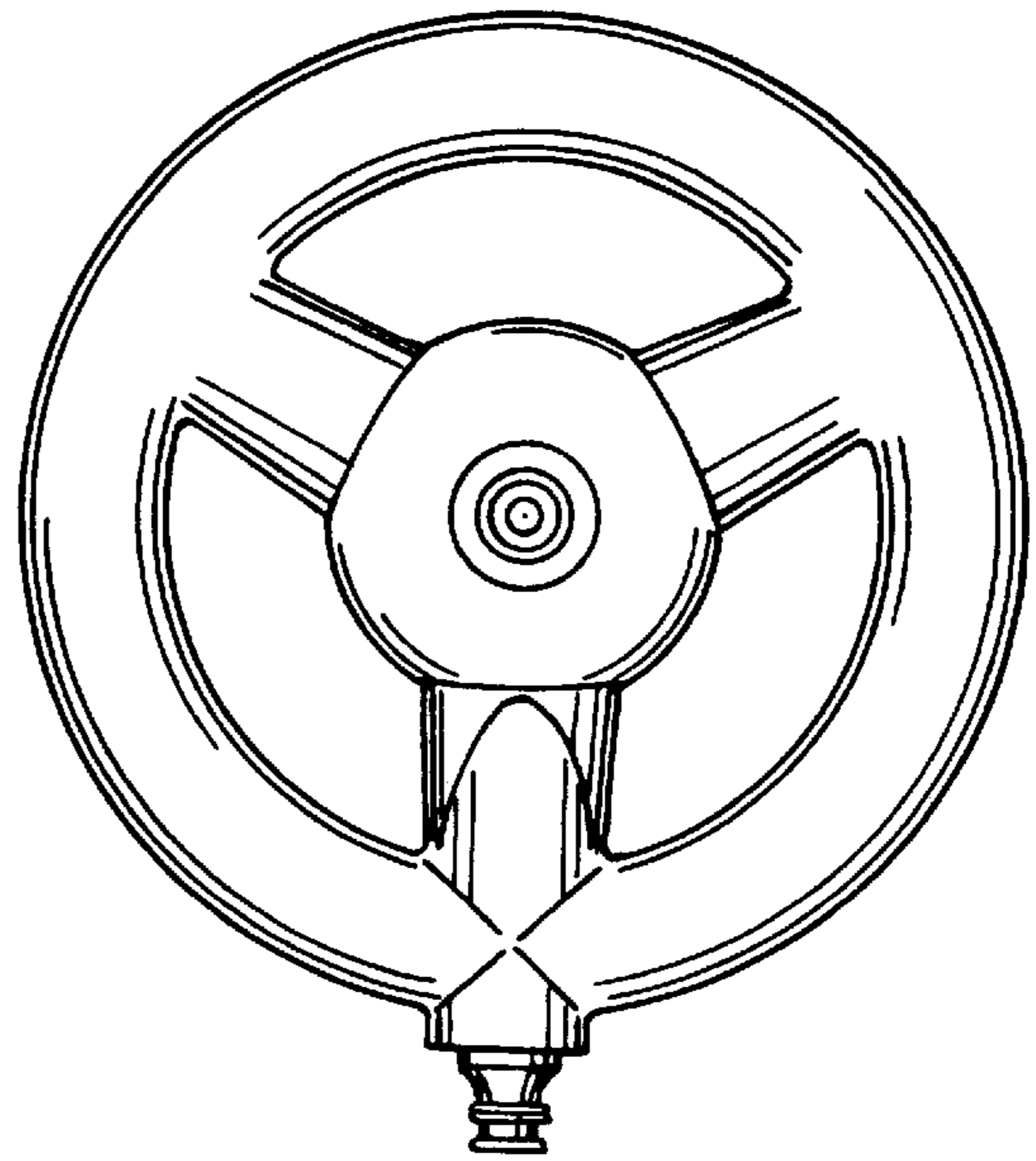


FIG. 3

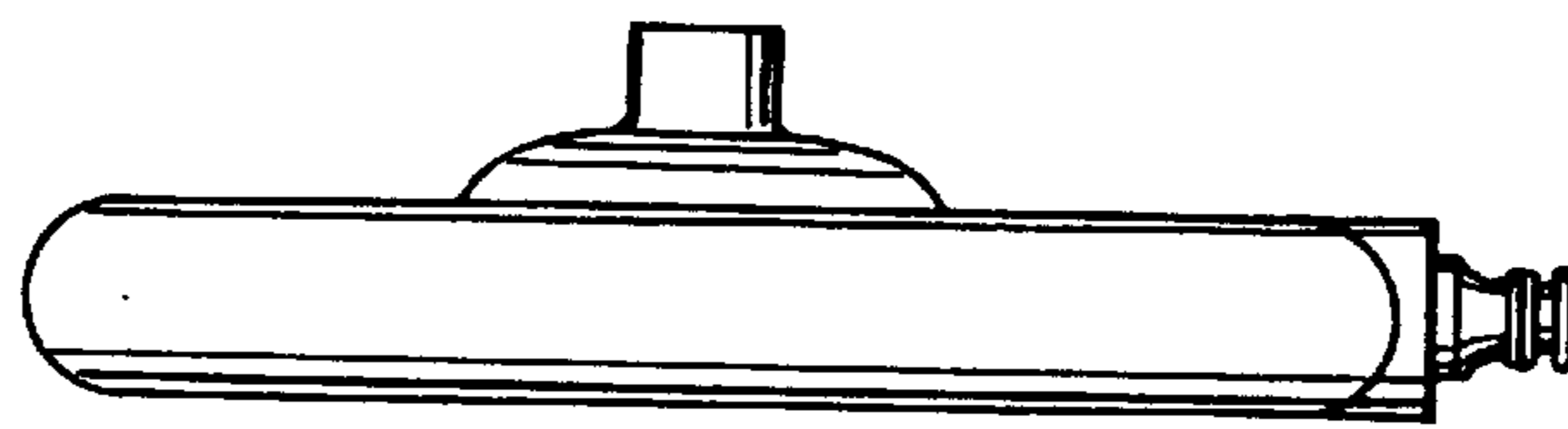


FIG. 4

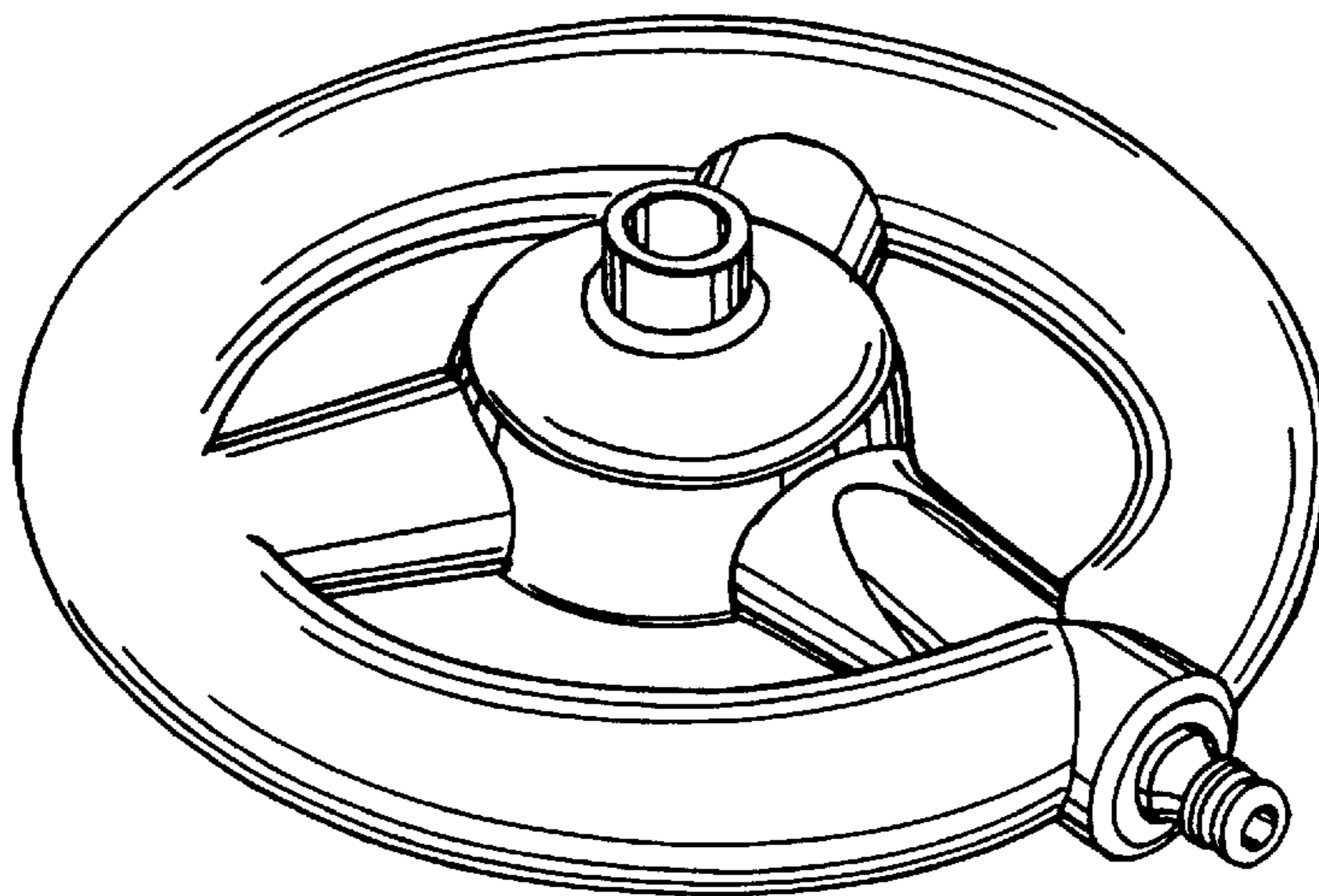


FIG. 1