



US00D404462S

# United States Patent [19]

Otto

[11] Patent Number: Des. 404,462

[45] Date of Patent: \*\*Jan. 19, 1999

[54] OIL PORT FOR CARS, TRUCKS AND BOATS

[76] Inventor: Albert K. Otto, 76 Ulsterville Rd., Pine Bush, N.Y. 12566

[\*\*] Term: 14 Years

[21] Appl. No.: 23,799

[22] Filed: Jun. 1, 1994

### Related U.S. Application Data

[63] Continuation of Ser. No. 3,376, Jan. 8, 1993, abandoned.

[51] LOC (6) Cl. .... 23-01

[52] U.S. Cl. .... D23/200; D15/199

[58] Field of Search ..... D7/700; D15/150, D15/199; D23/200; 141/95, 98, 297-300, 331-345, 382

### References Cited

#### U.S. PATENT DOCUMENTS

D. 241,597	9/1976	Confer	.....	D7/700
3,537,623	11/1970	Fisher	.	
4,241,851	12/1980	Ibaraki	.	
4,338,983	7/1982	Hatcher	.	
4,703,867	11/1987	Schoenhard	.	

4,856,568	8/1989	Murphy et al.	.....	141/337
4,921,147	5/1990	Poizier	.....	141/337 X
5,020,702	6/1991	James	.....	141/337

### OTHER PUBLICATIONS

Brochure distributed by American Inventors Corporation approximately during Mar. 1993.

Primary Examiner—Terry A. Wallace

### [57] CLAIM

The ornamental design for a oil port for cars, trucks and boats, as shown and described.

### DESCRIPTION

FIG. 1 is a front elevational view of the oil port for cars, trucks and boats showing my design; FIG. 2 is a rear elevational view thereof; FIG. 3 is a left side elevational view thereof; FIG. 4 is a right side elevational view thereof; FIG. 5 is a top plan view thereof; FIG. 6 is a bottom plan view thereof; FIG. 7 is a front elevational view thereof showing the invention in a collapsed position; and, FIG. 8 is a front elevational view thereof showing the invention in a bent position.

1 Claim, 5 Drawing Sheets

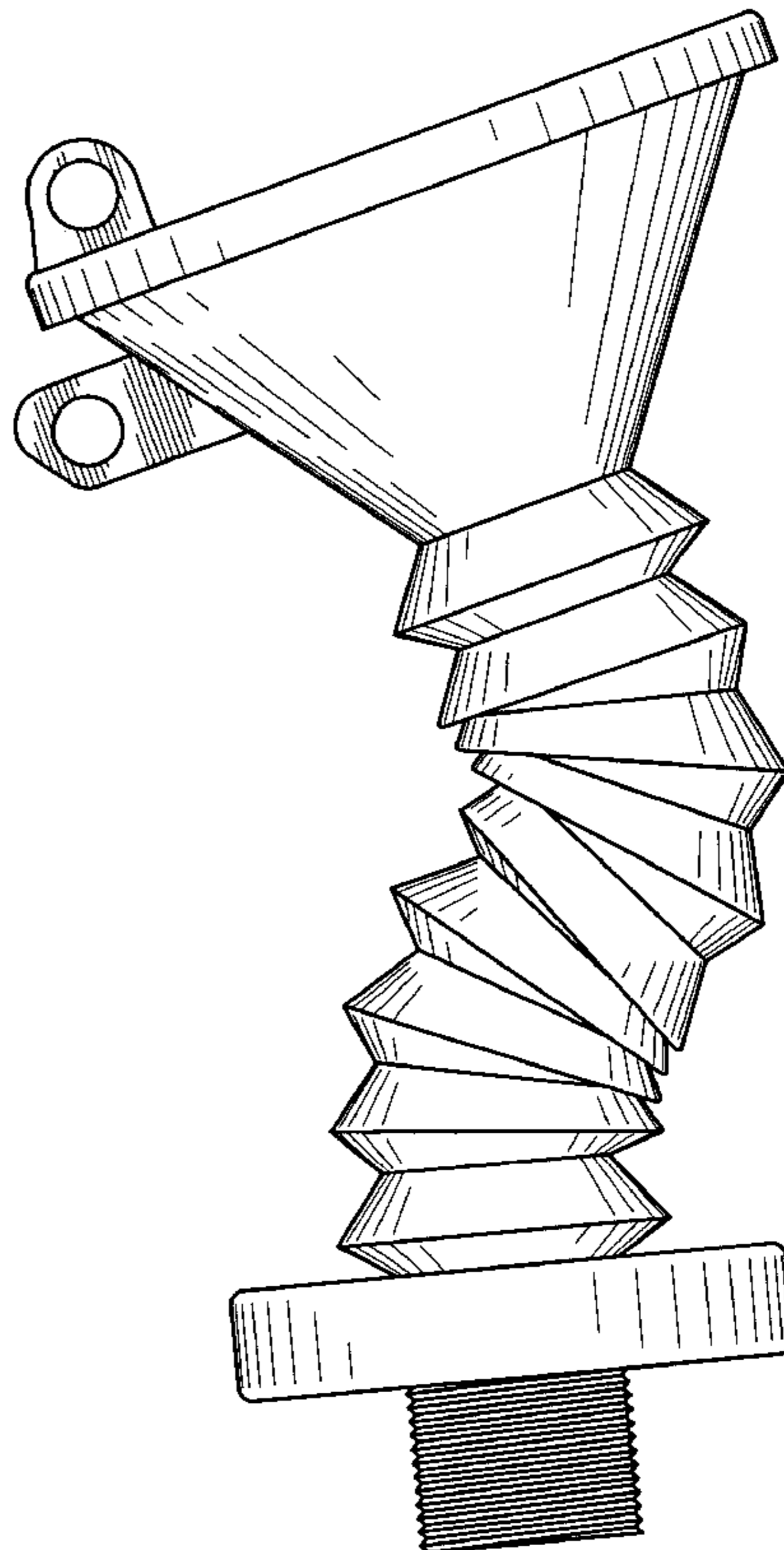
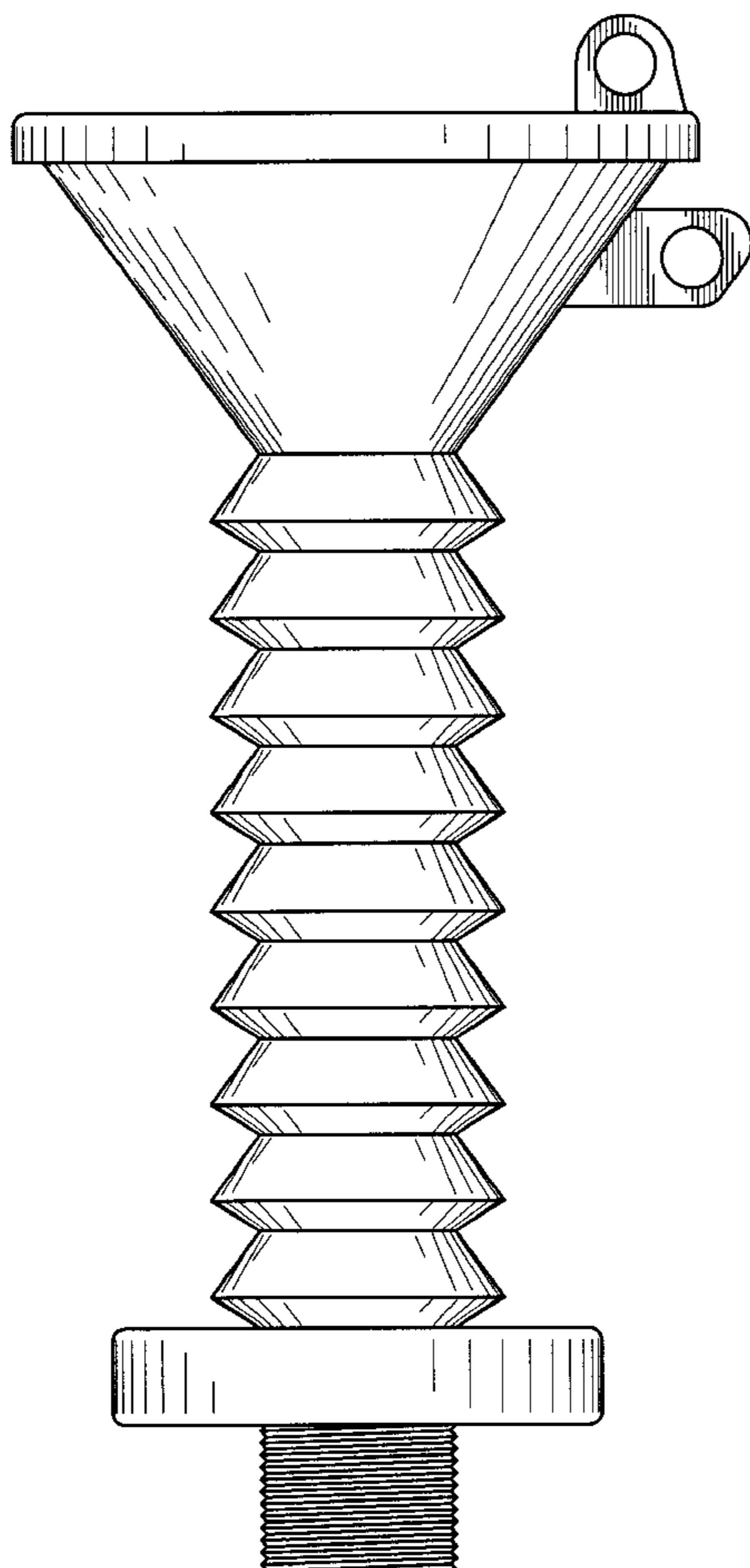


FIG. 1

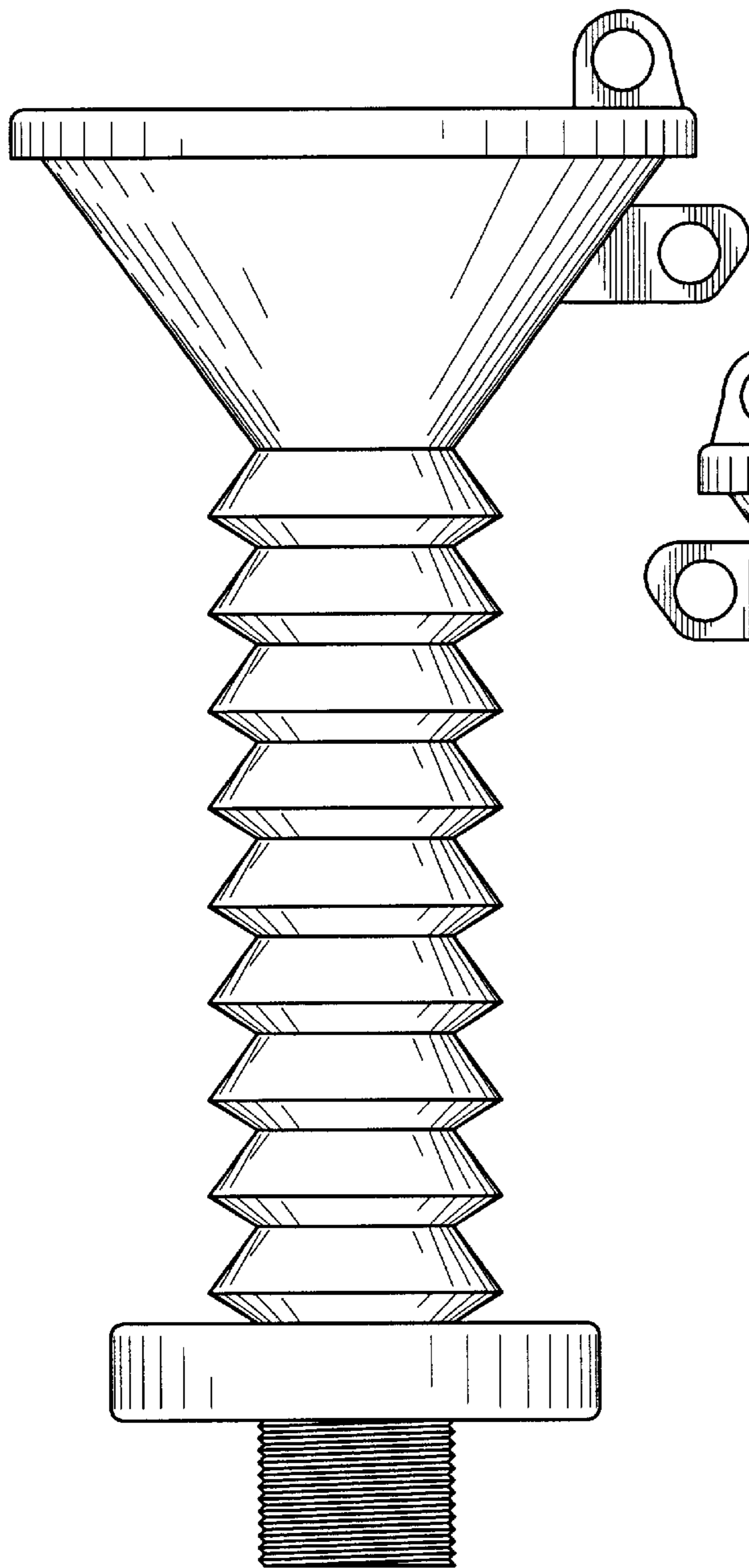
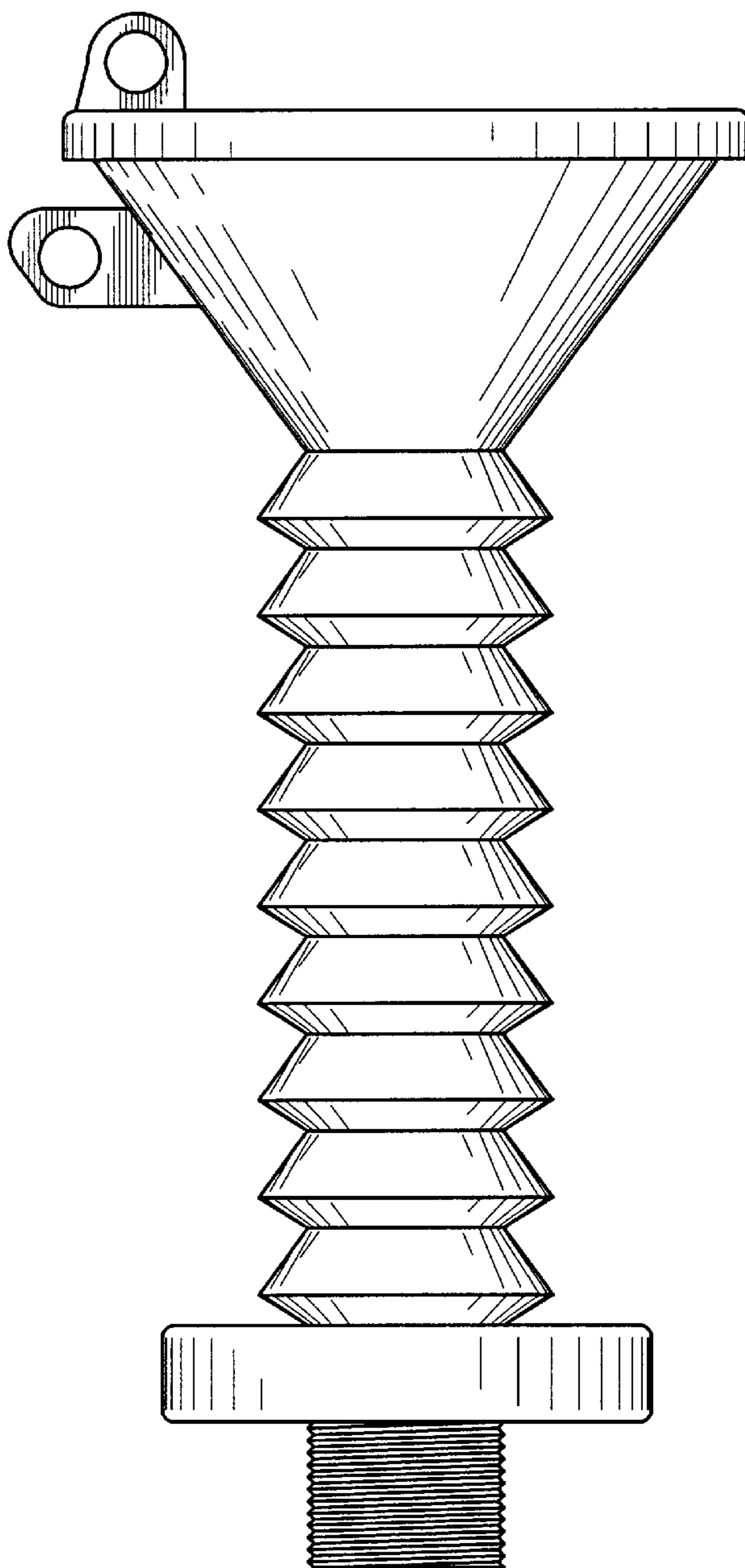
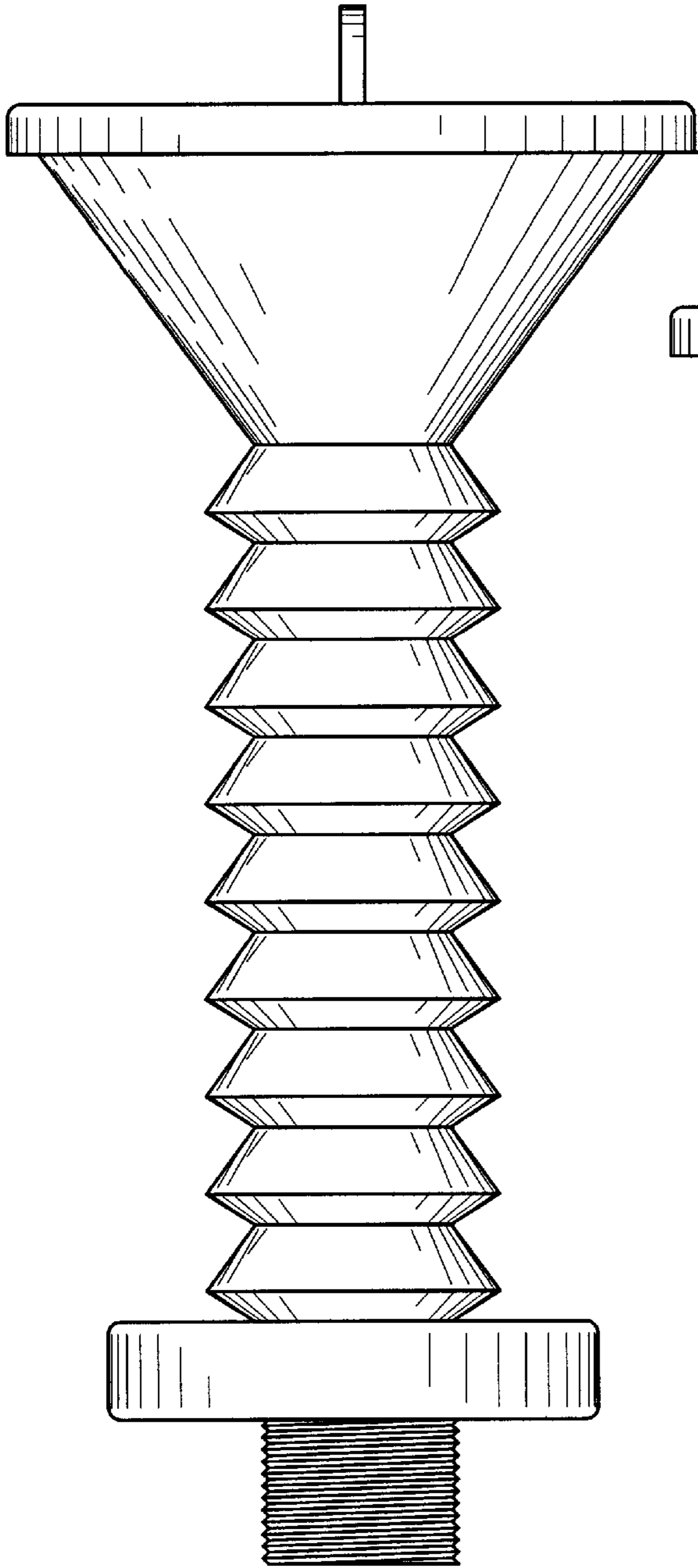


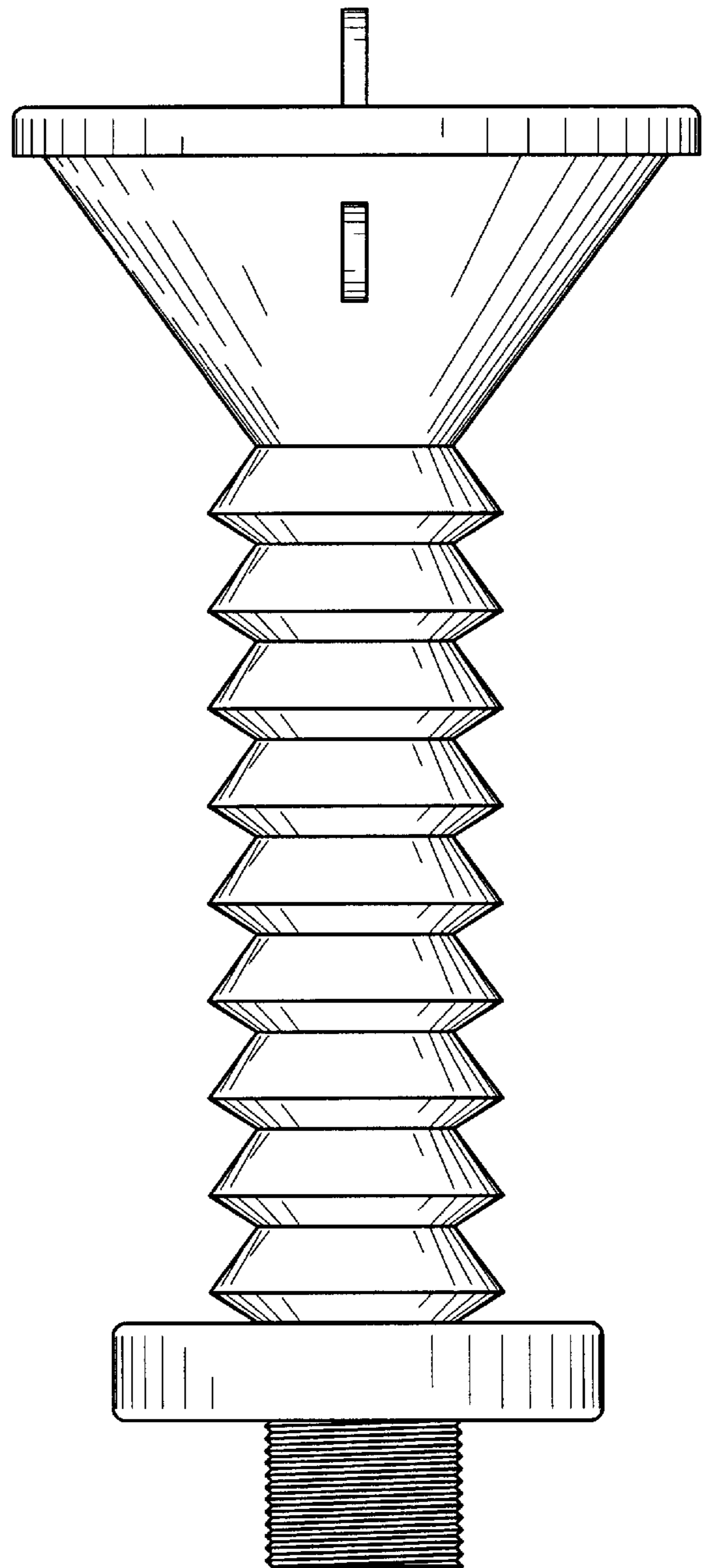
FIG. 2



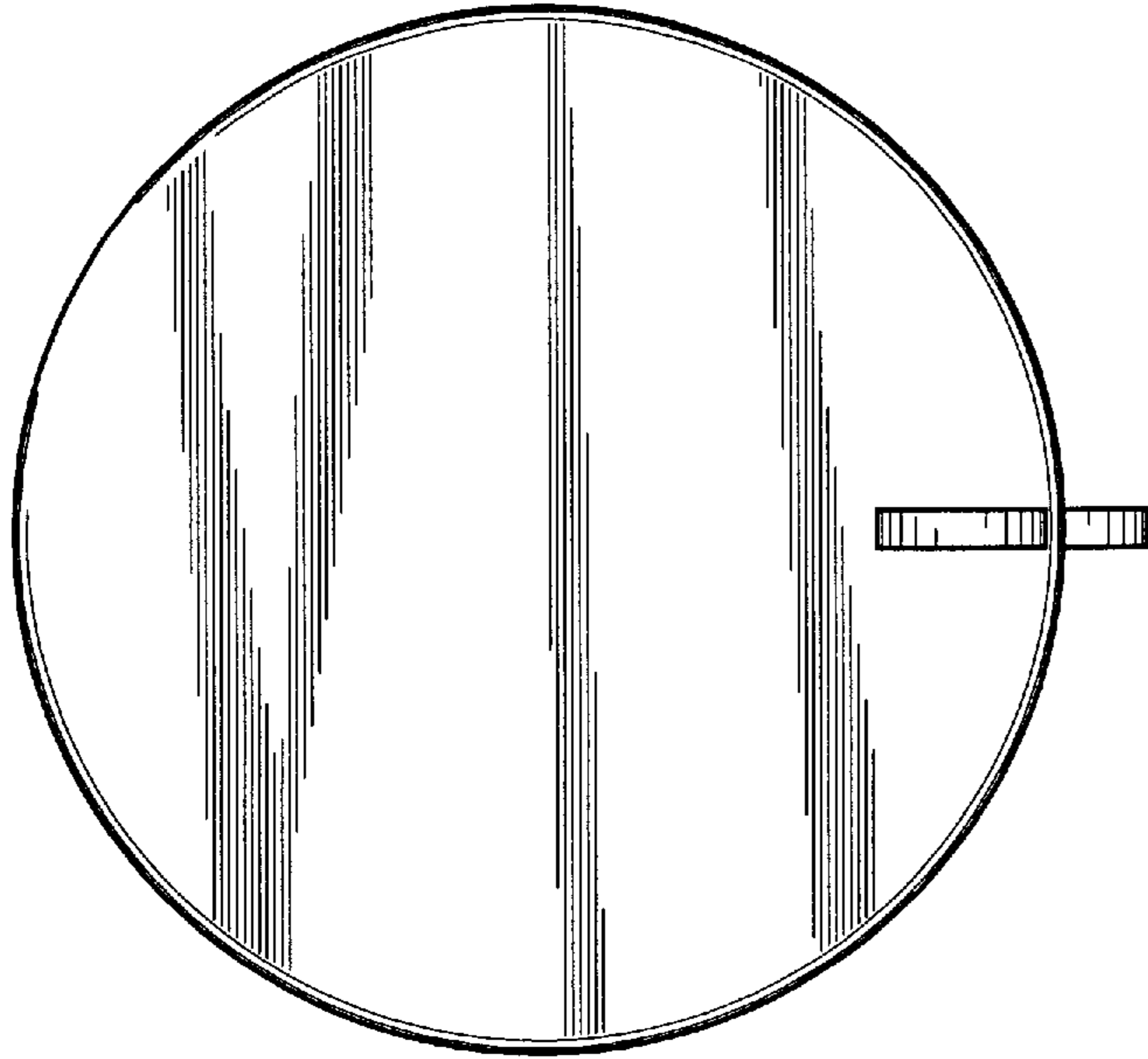
*FIG. 3*



*FIG. 4*



*FIG. 5*



*FIG. 6*

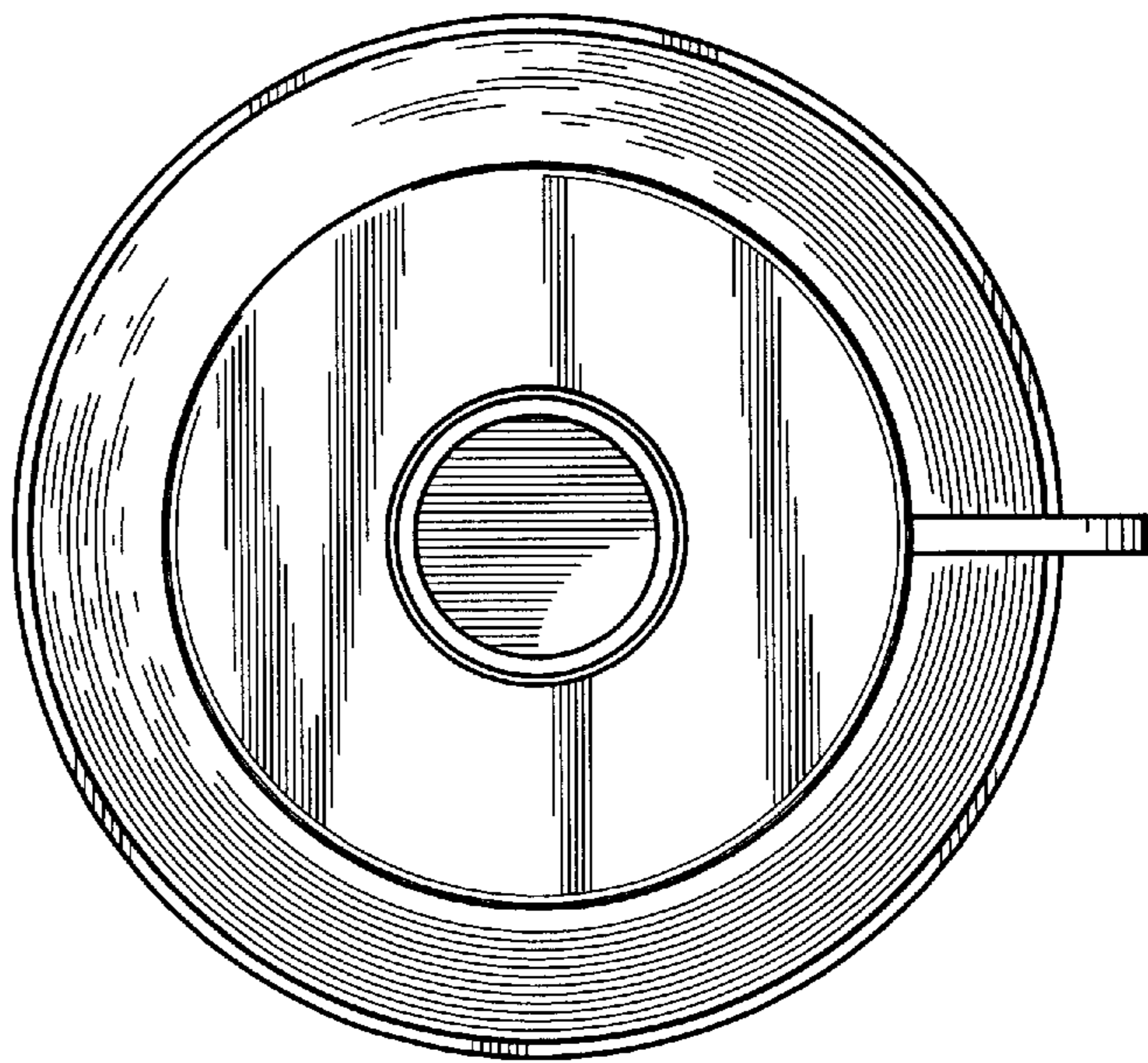


FIG. 7

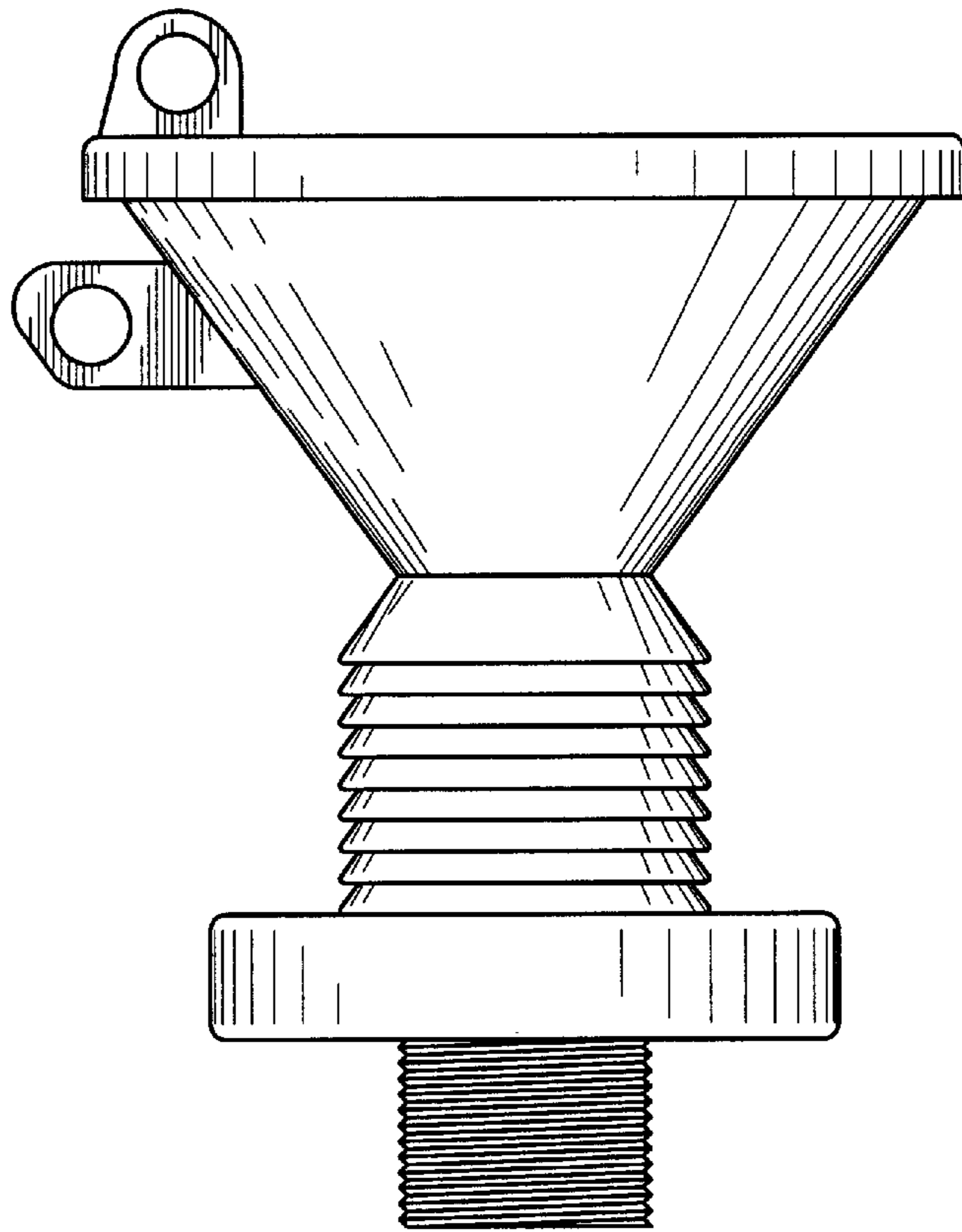


FIG. 8

