



US00D404461S

# United States Patent [19]

Kaneko et al.

[11] Patent Number: **Des. 404,461**

[45] Date of Patent: **\*\*Jan. 19, 1999**

[54] **SPOOL FOR A FISHING SPINNING REEL**

[75] Inventors: **Kyouichi Kaneko; Eiji Shinohara; Akira Yamaguchi; Wataru Tsutsumi,**  
all of Higashikurume, Japan

[73] Assignee: **Daiwa Seiko, Inc.,** Tokyo, Japan

[\*\*] Term: **14 Years**

[21] Appl. No.: **74,252**

[22] Filed: **Jul. 11, 1997**

### Related U.S. Application Data

[62] Division of Ser. No. 62,850, Nov. 27, 1996, Pat. No. Des. 393,689.

### [30] Foreign Application Priority Data

May 31, 1996 [JP] Japan ..... 8-16122  
Jun. 13, 1996 [JP] Japan ..... 8-17505

[51] **LOC (6) Cl.** ..... **22-05**

[52] **U.S. Cl.** ..... **D22/137; D22/141**

[58] **Field of Search** ..... D22/137, 141;  
242/118.7, 129.7, 118.6, 118.3, 118.4, 311,  
322, 613.2, 613.1, 129.5

### [56] References Cited

#### U.S. PATENT DOCUMENTS

D. 369,847 5/1996 Kuntze ..... D22/137

D. 374,268 10/1996 Kvarnstrom ..... D22/137  
D. 393,689 4/1998 Kaneko et al. .... D22/137  
5,333,813 8/1994 Hirano ..... 242/322  
5,456,418 10/1995 Hitomi ..... 242/322  
5,476,230 12/1995 Yamaguchi ..... 242/311  
5,607,116 3/1997 Yamaguchi et al. .... 242/311

*Primary Examiner*—Doris V. Coles  
*Attorney, Agent, or Firm*—Laff, Whitesel, Conte & Saret, Ltd.

### [57] CLAIM

The ornamental design for a spool for a fishing spinning reel, as shown and described.

### DESCRIPTION

FIG. 1 is a front and left side perspective view of a spool for a fishing spinning reel, showing our new design; FIG. 2 is a front and right side perspective view thereof; FIG. 3 is a front elevational view thereof; the opposite side being a mirror image thereof; and a top plan view and a bottom plan view being identical thereof; FIG. 4 is a right side elevational view thereof; FIG. 5 is a left side elevational view thereof; FIG. 6 is a central vertical cross-sectional view of FIG. 4; FIG. 7 is a front and left side perspective view of a second embodiment; and, FIG. 8 is a front and right side perspective view thereof. The right and left side elevational views of the second embodiment are identical to FIGS. 4 and 5.

**1 Claim, 3 Drawing Sheets**

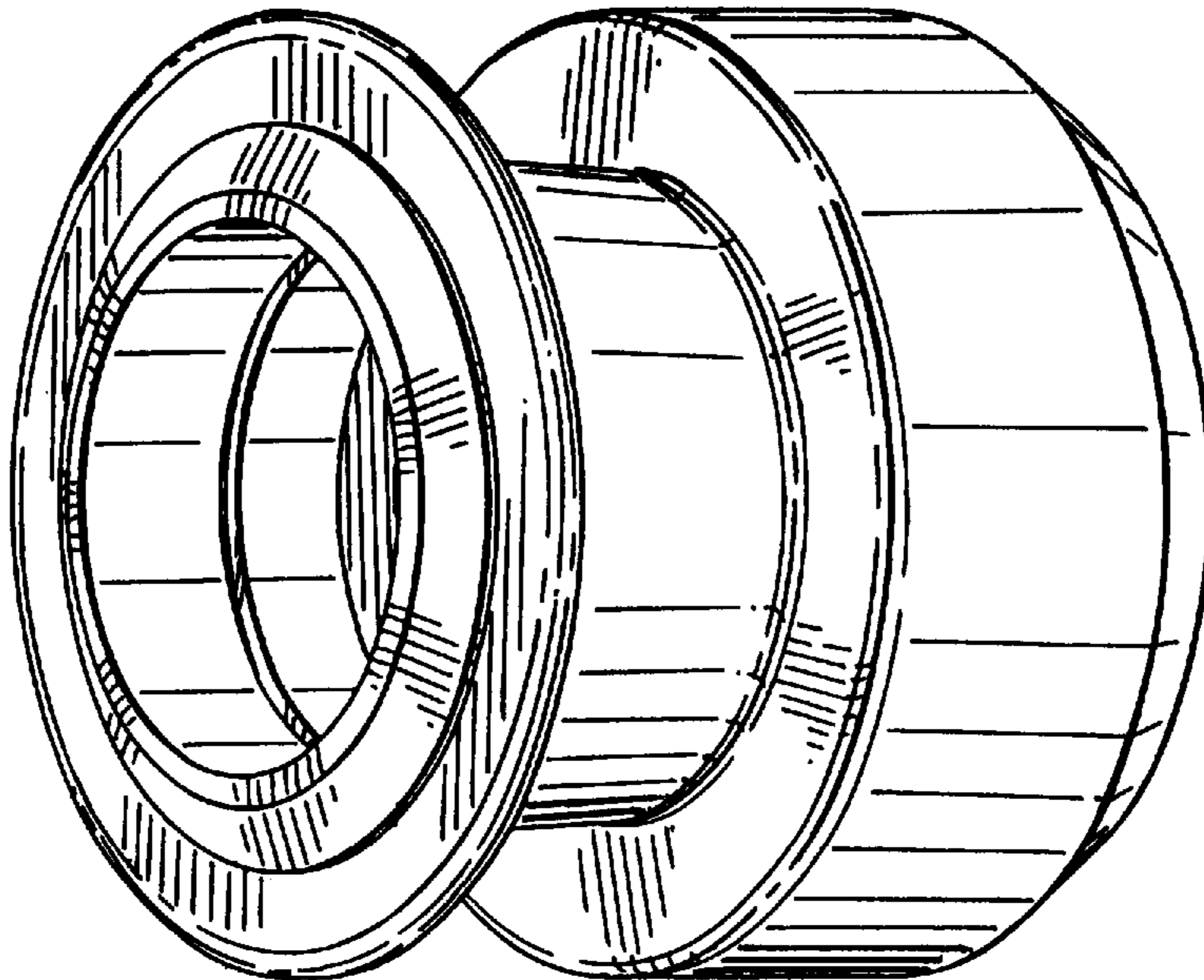


FIG. 1

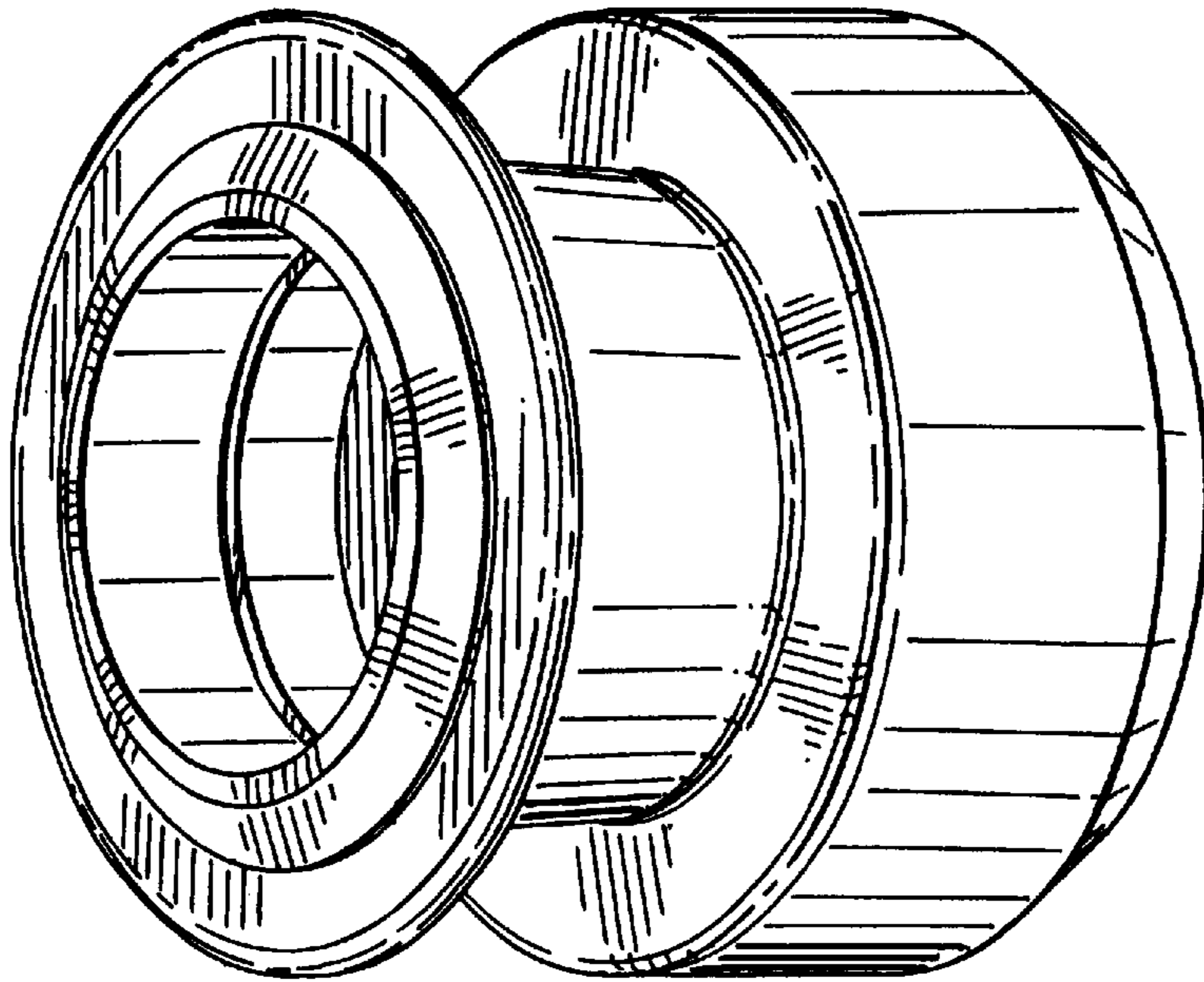


FIG. 2

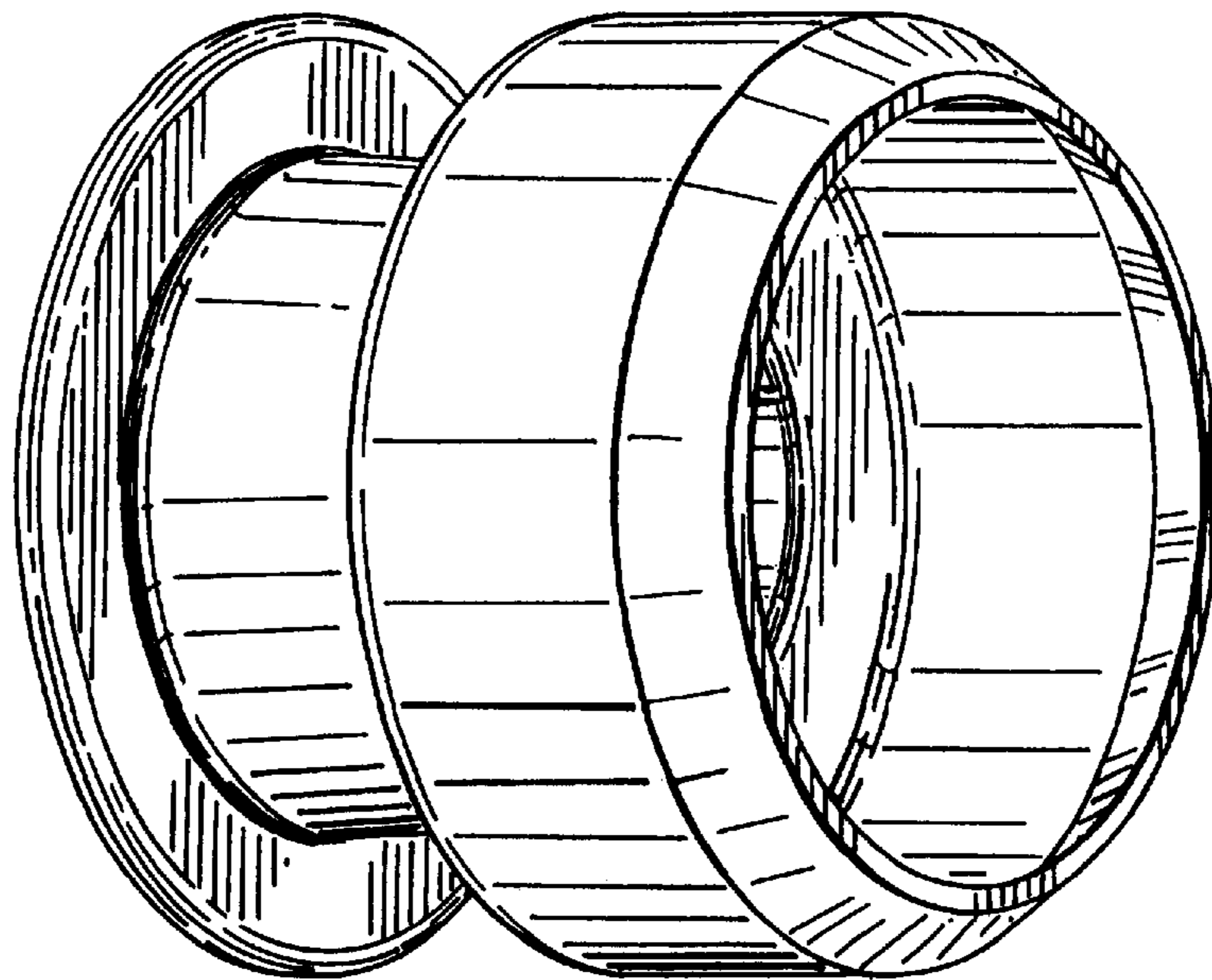


FIG. 3

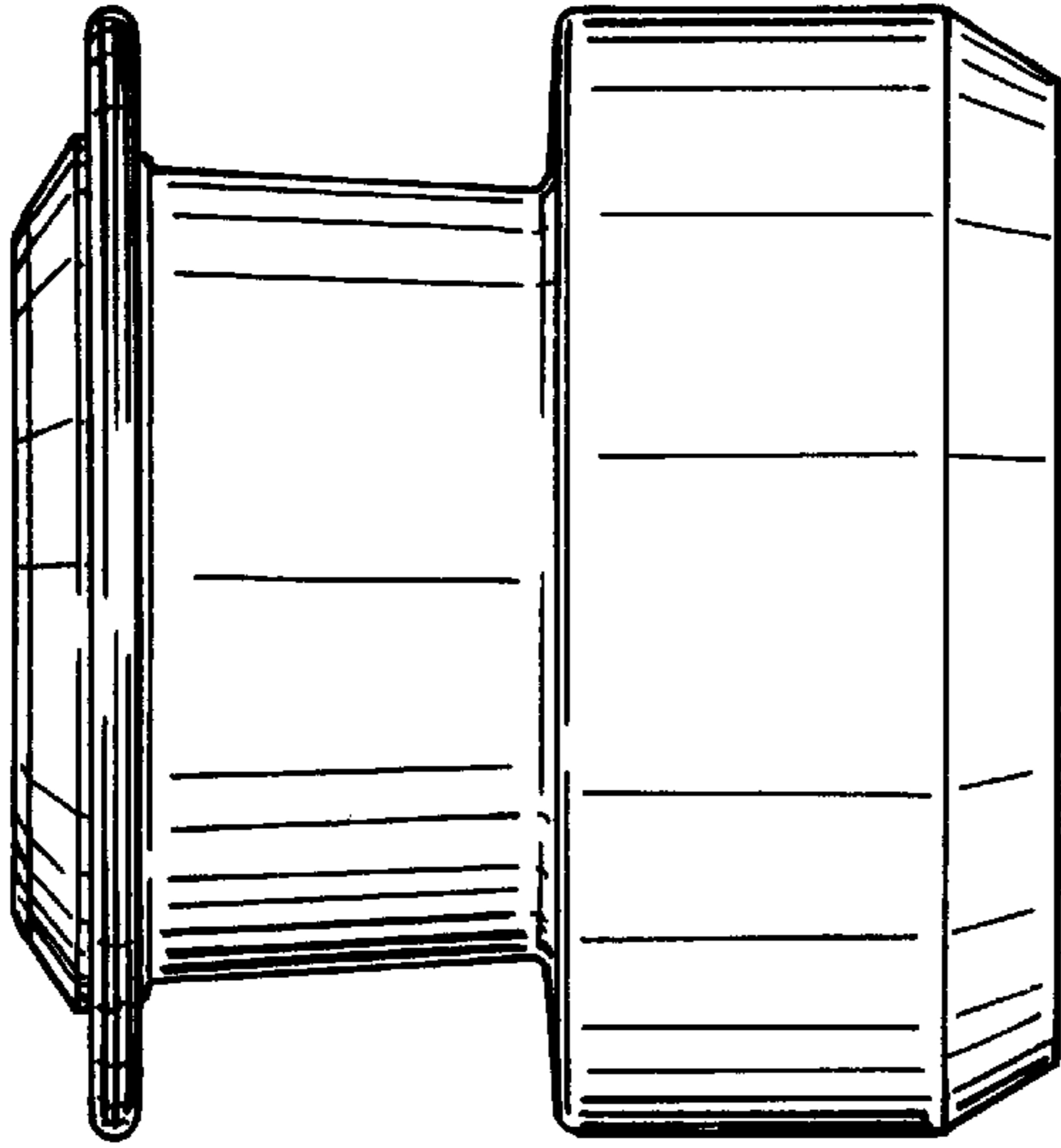


FIG. 4

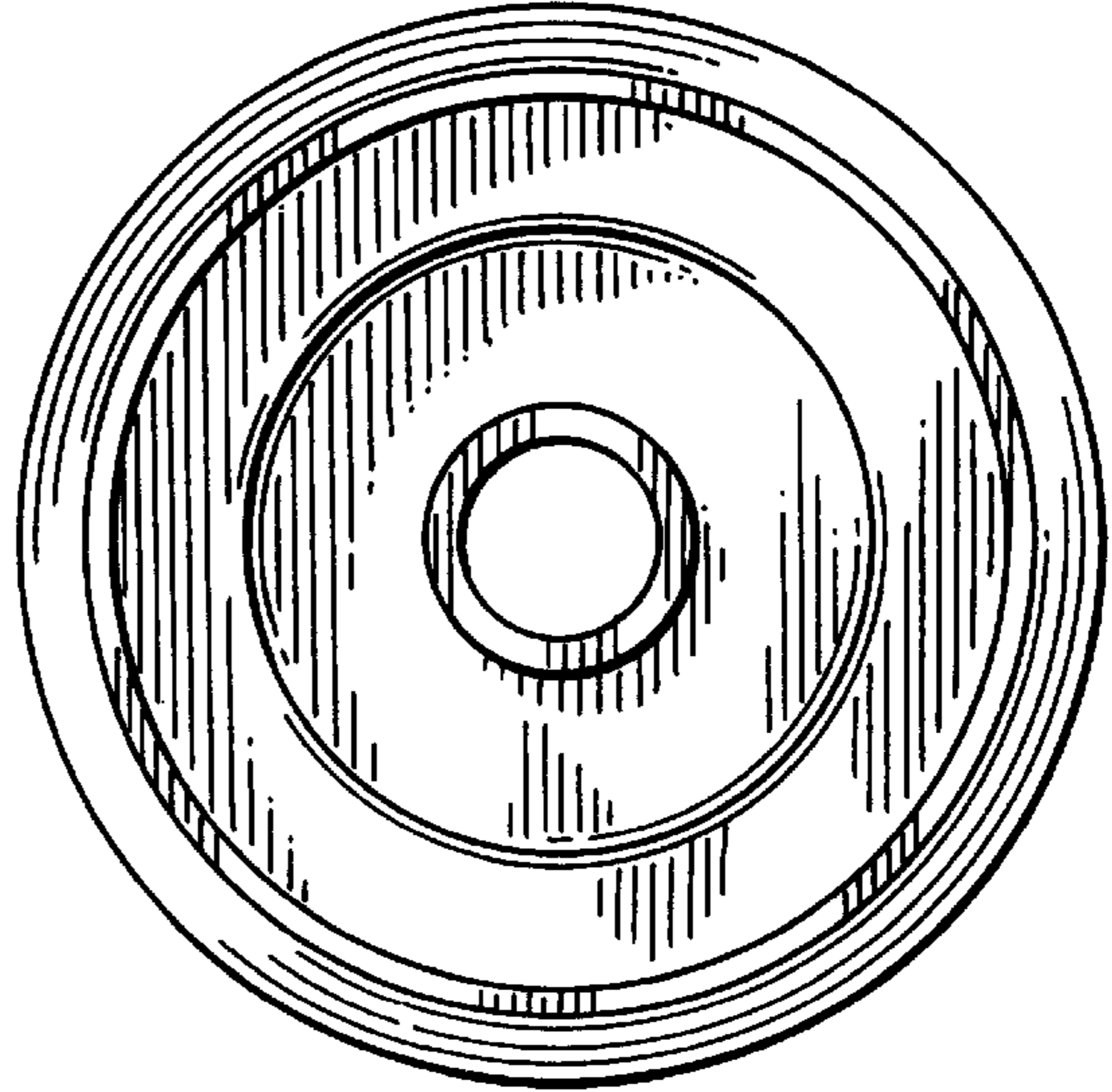


FIG. 5

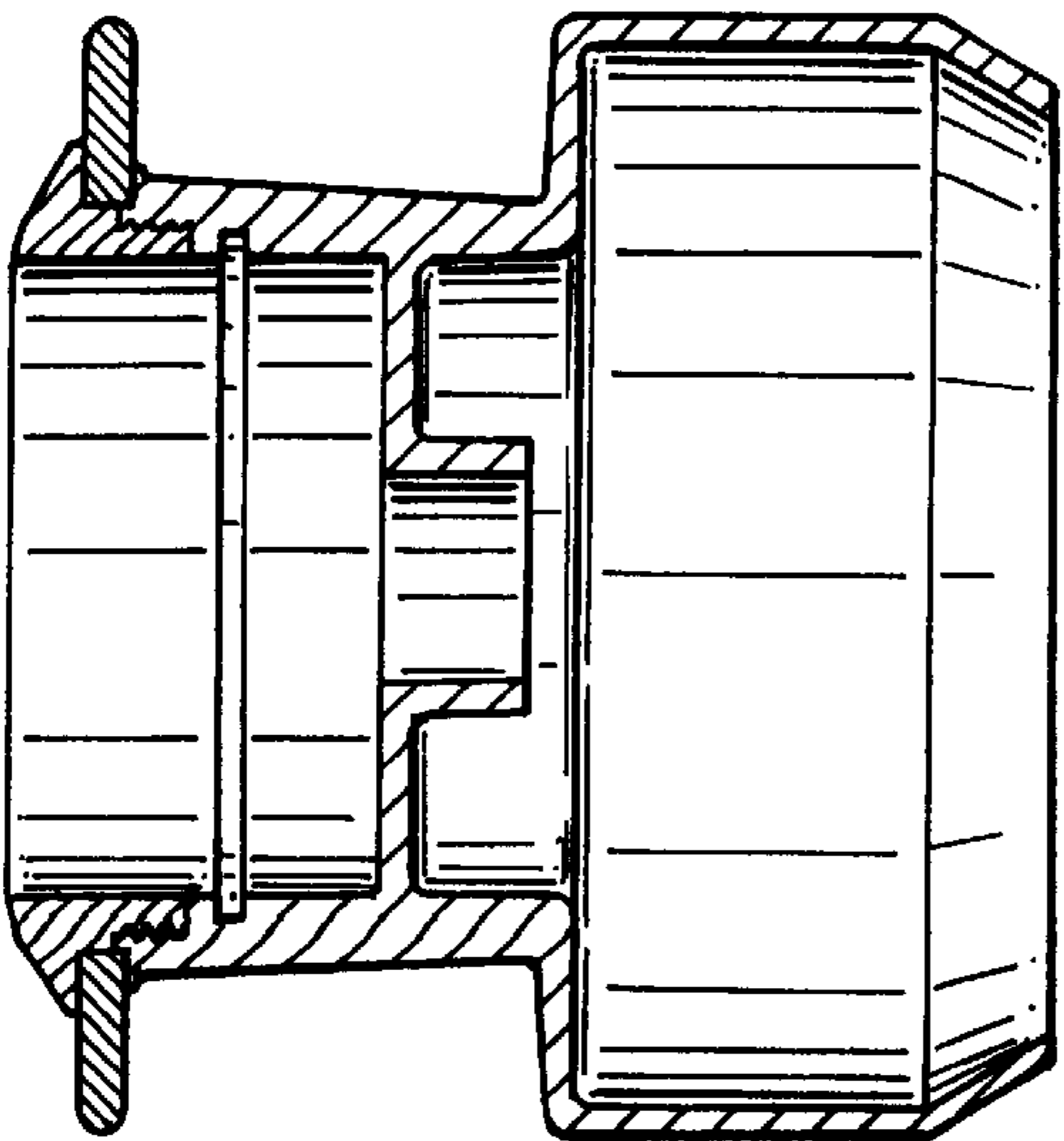


FIG. 6

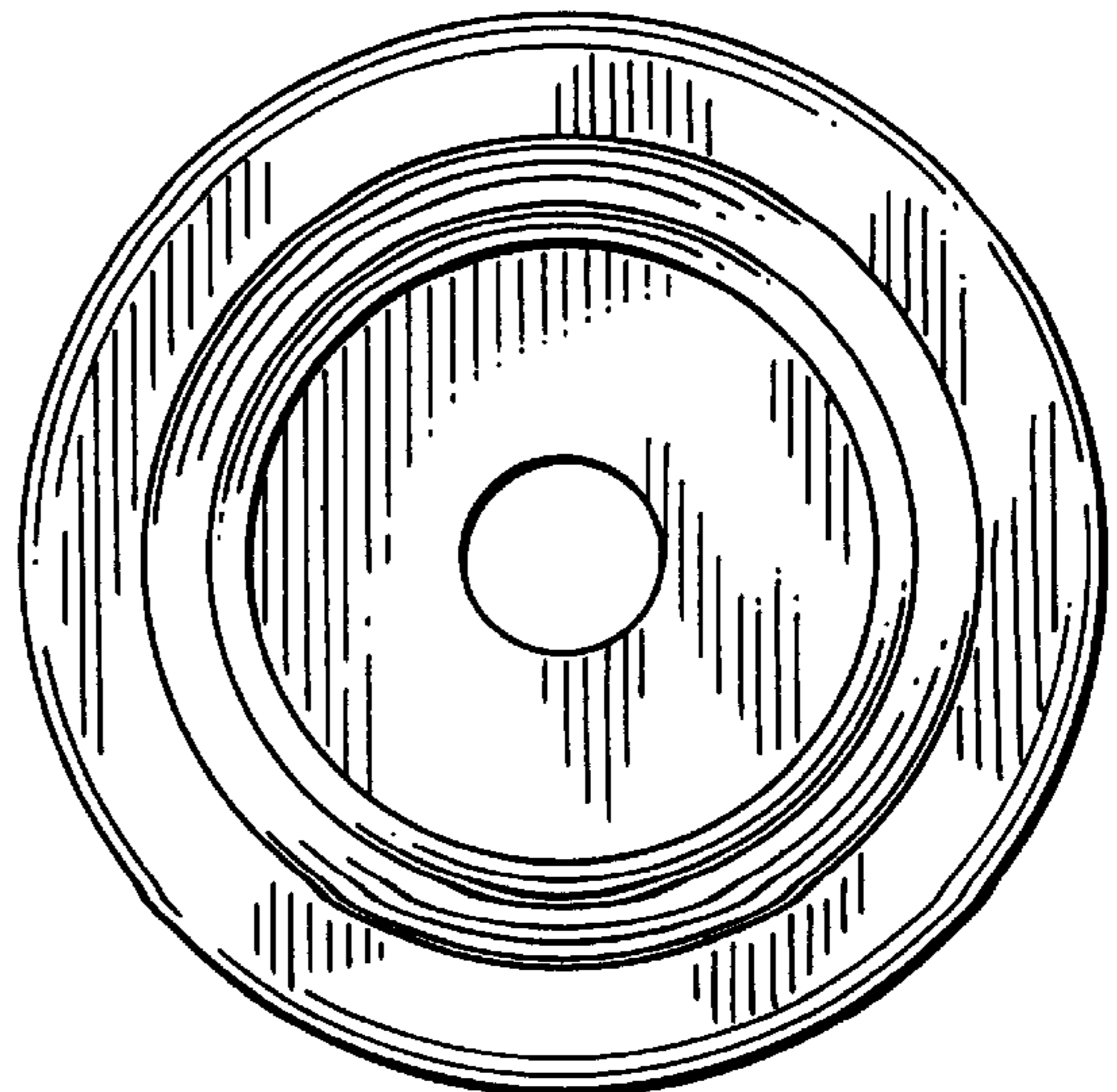




FIG. 7

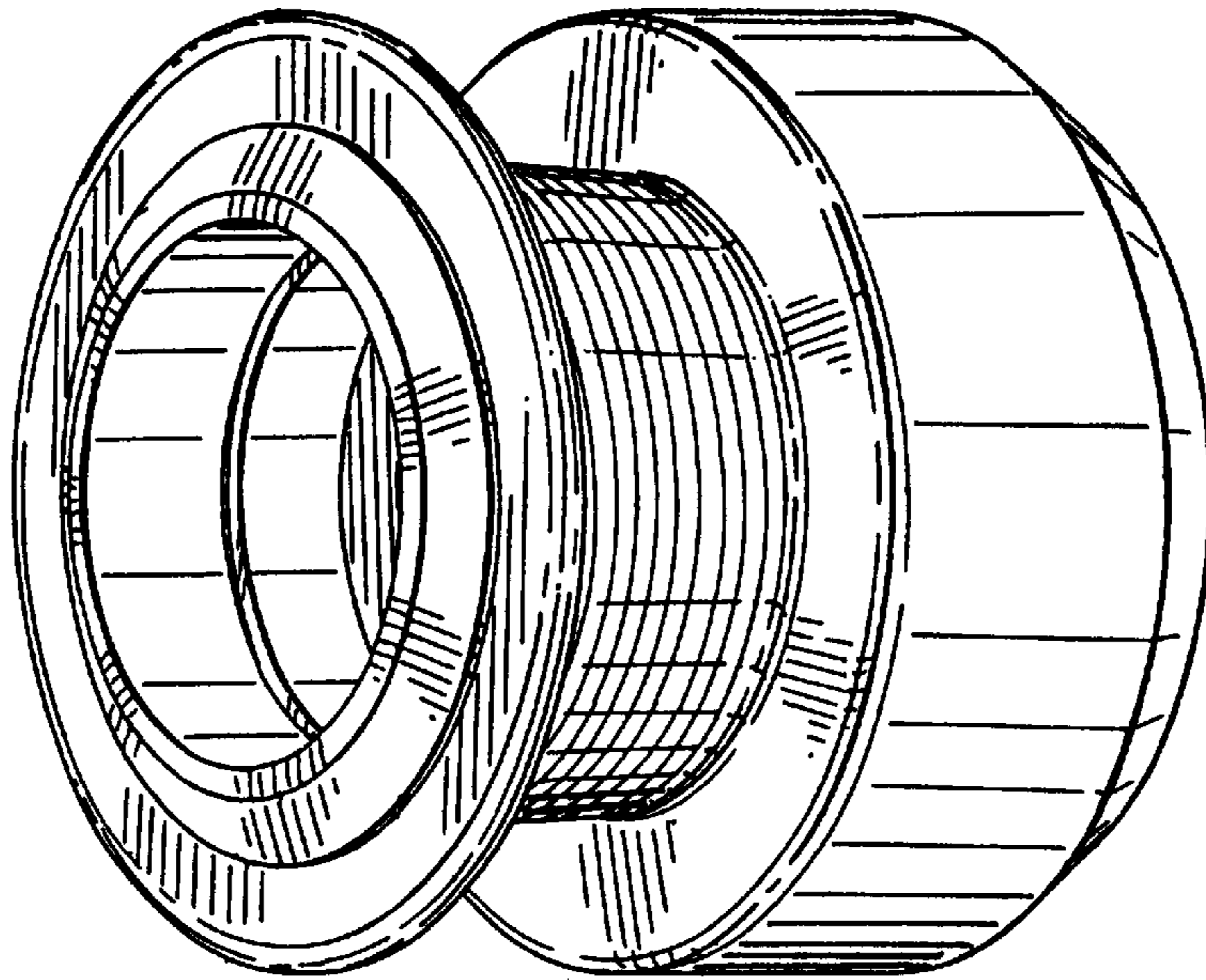


FIG. 8

