



US00D404458S

United States Patent [19] Pruitt

[11] **Patent Number: Des. 404,458**

[45] **Date of Patent: **Jan. 19, 1999**

[54] **TRIGGER GUARD**

[76] Inventor: **Bobby E. Pruitt**, 103 N. Douglas Ave.,
Cleburne, Tex. 76031

[**] Term: **14 Years**

[21] Appl. No.: **82,020**

[22] Filed: **Jan. 13, 1998**

[51] **LOC (6) Cl. 22-01**

[52] **U.S. Cl. D22/108; D22/100**

[58] **Field of Search D22/100, 108,
D22/199; 42/70.06, 70.07; 70/14, 63**

[56] **References Cited**

U.S. PATENT DOCUMENTS

D. 394,297	5/1998	Knuth	D22/108
1,563,250	11/1925	Capon	42/70.07
2,080,202	5/1937	Drake	42/70.06

2,882,636	4/1959	Shinaver	42/70.06
4,811,577	3/1989	Webster et al.	70/14
5,048,212	9/1991	Mossberg	42/70.06
5,315,849	5/1994	Georgopoulos	70/63

Primary Examiner—Louis S. Zarfes
Assistant Examiner—Monica a. Weingart
Attorney, Agent, or Firm—Robert O. Richardson

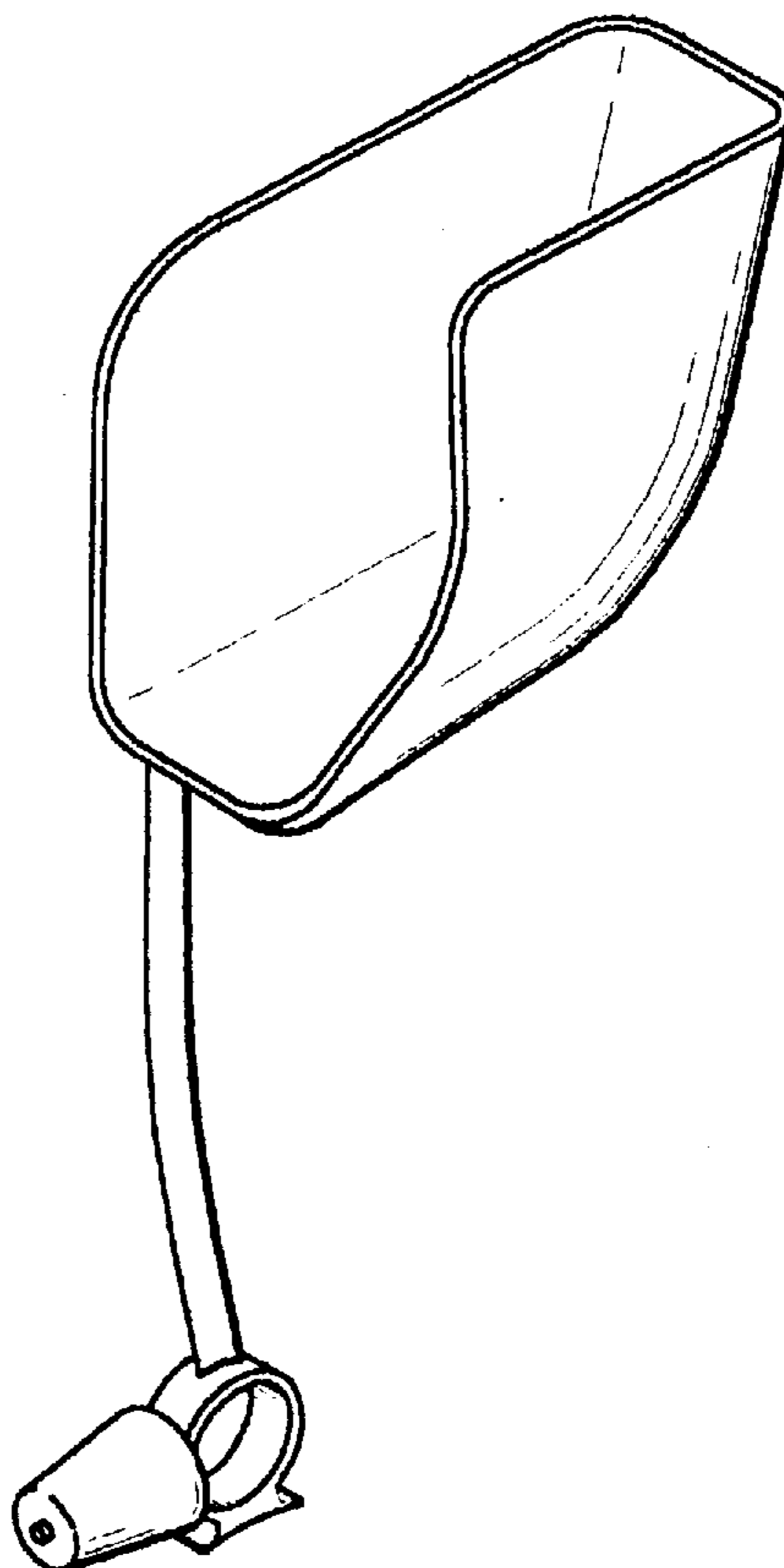
[57] **CLAIM**

The ornamental design for a trigger guard, as shown and described.

DESCRIPTION

FIG. 1 is a perspective view;
FIG. 2 is a left side view;
FIG. 3 is a right side view;
FIG. 4 is a rear elevational view; and,
FIG. 5 is a front elevational view.

1 Claim, 1 Drawing Sheet



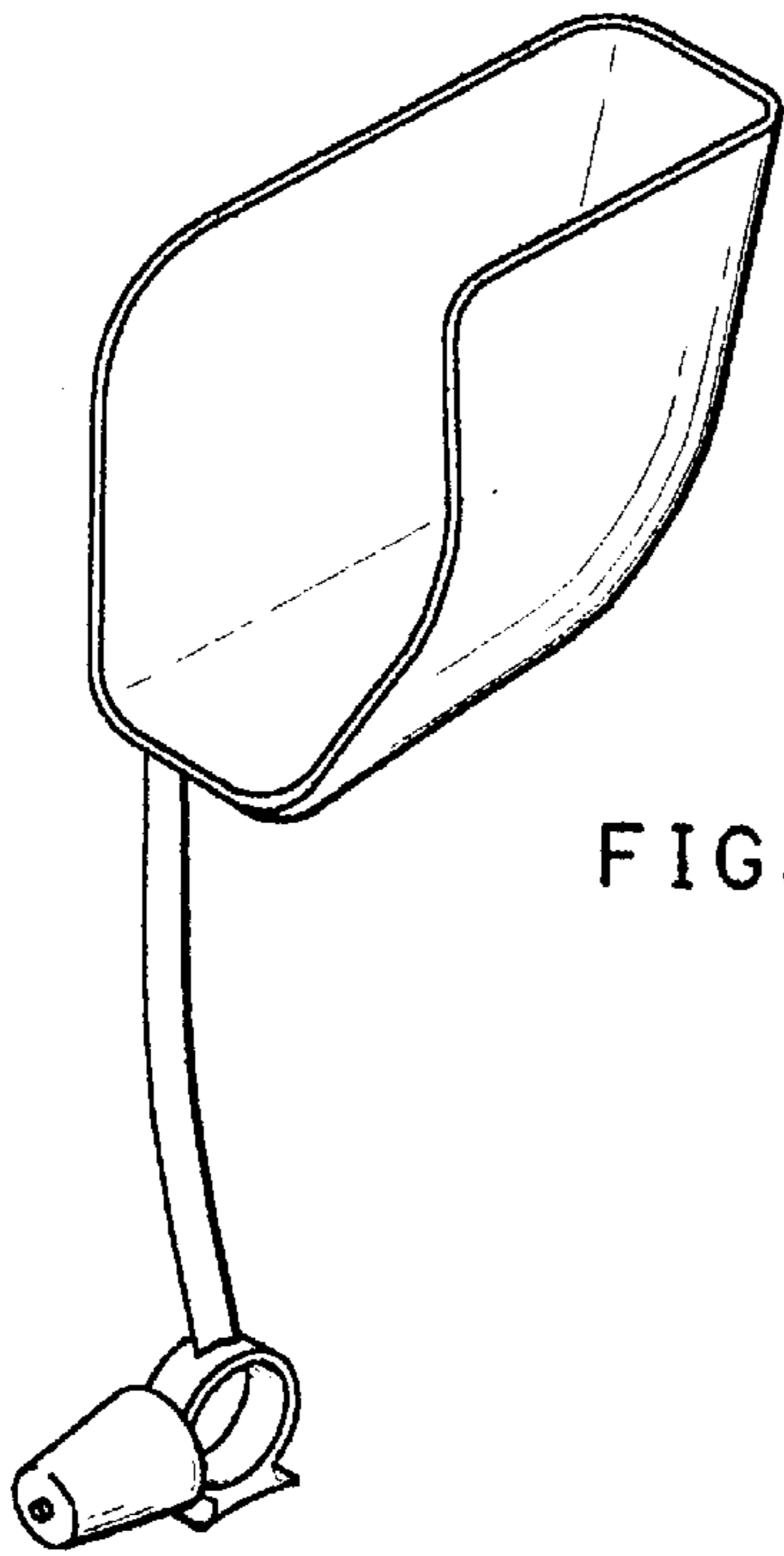


FIG. 1

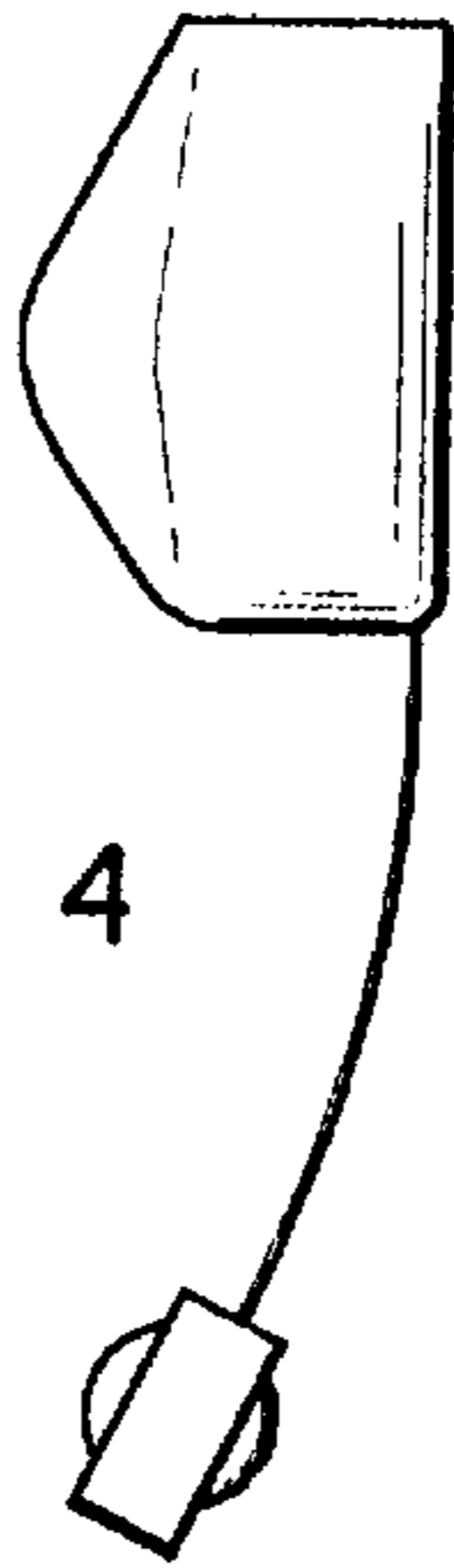


FIG. 4

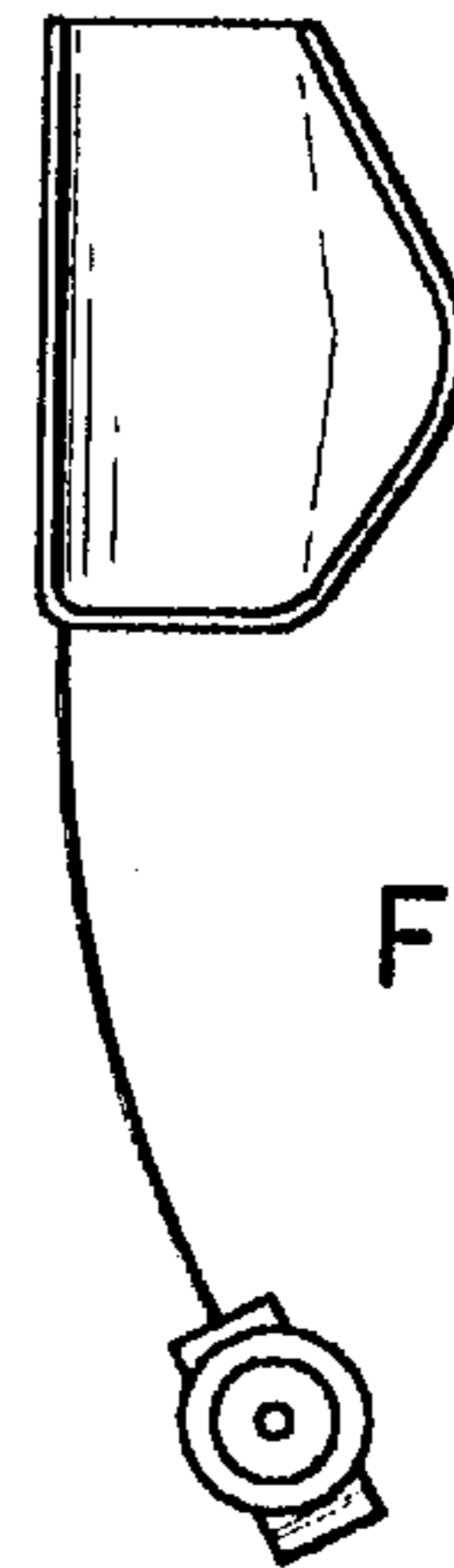


FIG. 5

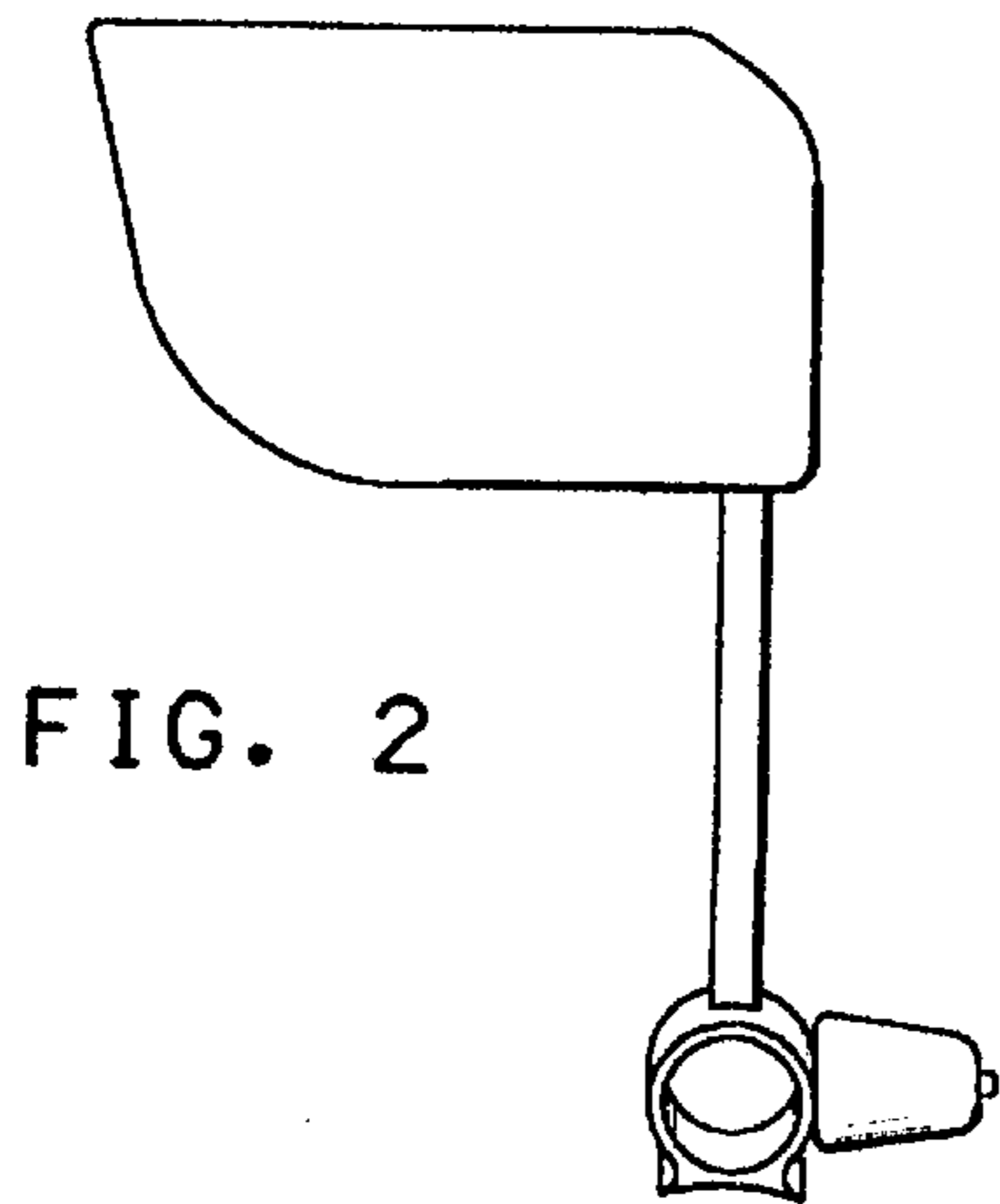


FIG. 2

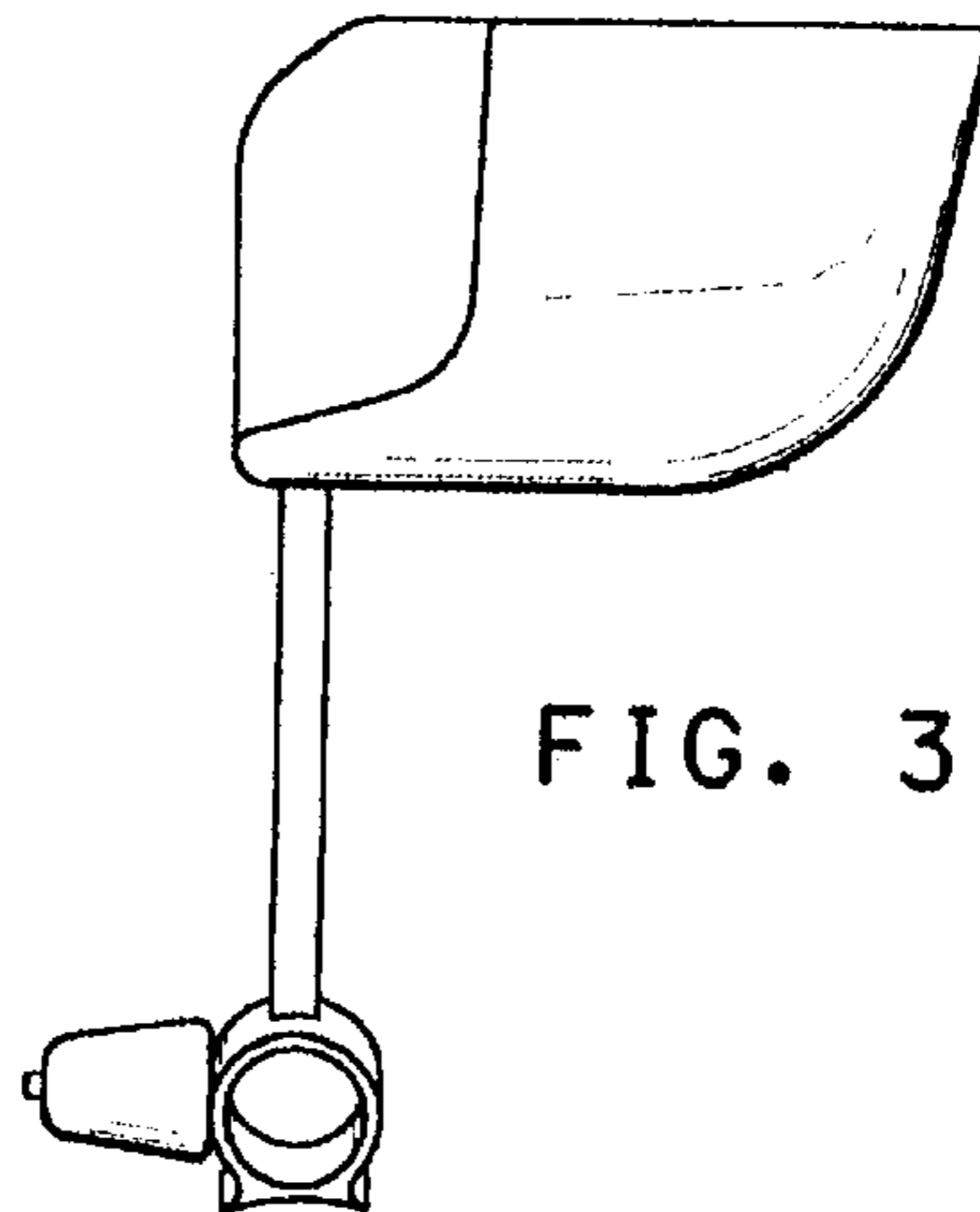


FIG. 3