



US00D404456S

**United States Patent** [19]  
**Evans**

[11] **Patent Number: Des. 404,456**

[45] **Date of Patent: \*\*Jan. 19, 1999**

[54] **SPLIT FIN**

[76] Inventor: **Robert B. Evans**, 715 Kimball Ave.,  
Santa Barbara, Calif. 93103

[\*\*] Term: **14 Years**

[21] Appl. No.: **84,493**

[22] Filed: **Mar. 3, 1998**

[51] **LOC (6) Cl.** ..... **21-06**

[52] **U.S. Cl.** ..... **D21/806**

[58] **Field of Search** ..... D21/801, 806;  
441/61-64

[56] **References Cited**

**U.S. PATENT DOCUMENTS**

D. 327,935	7/1992	Evans	.....	D21/806
D. 393,684	4/1998	Lin	.....	D21/806
2,889,563	6/1959	Lamb et al.	.....	441/64

*Primary Examiner*—Kay H. Chin

[57] **CLAIM**

The ornamental design for a split fin, as shown and described.

**DESCRIPTION**

FIG. 1 is a top perspective view of a split fin showing my new design, the broken lines are for illustrative purposes only;

FIG. 2 is a front view thereof;

FIG. 3 is a rear view thereof;

FIG. 4 is a right side elevational view thereof, the left side elevational view being a mirror image of that shown;

FIG. 5 is a top view thereof;

FIG. 6 is a bottom view thereof;

FIG. 7 is a perspective view of a second embodiment of the split fin;

FIG. 8 is a cross sectional view taken along the center line of FIG. 7;

FIG. 9 is a front view of FIG. 7;

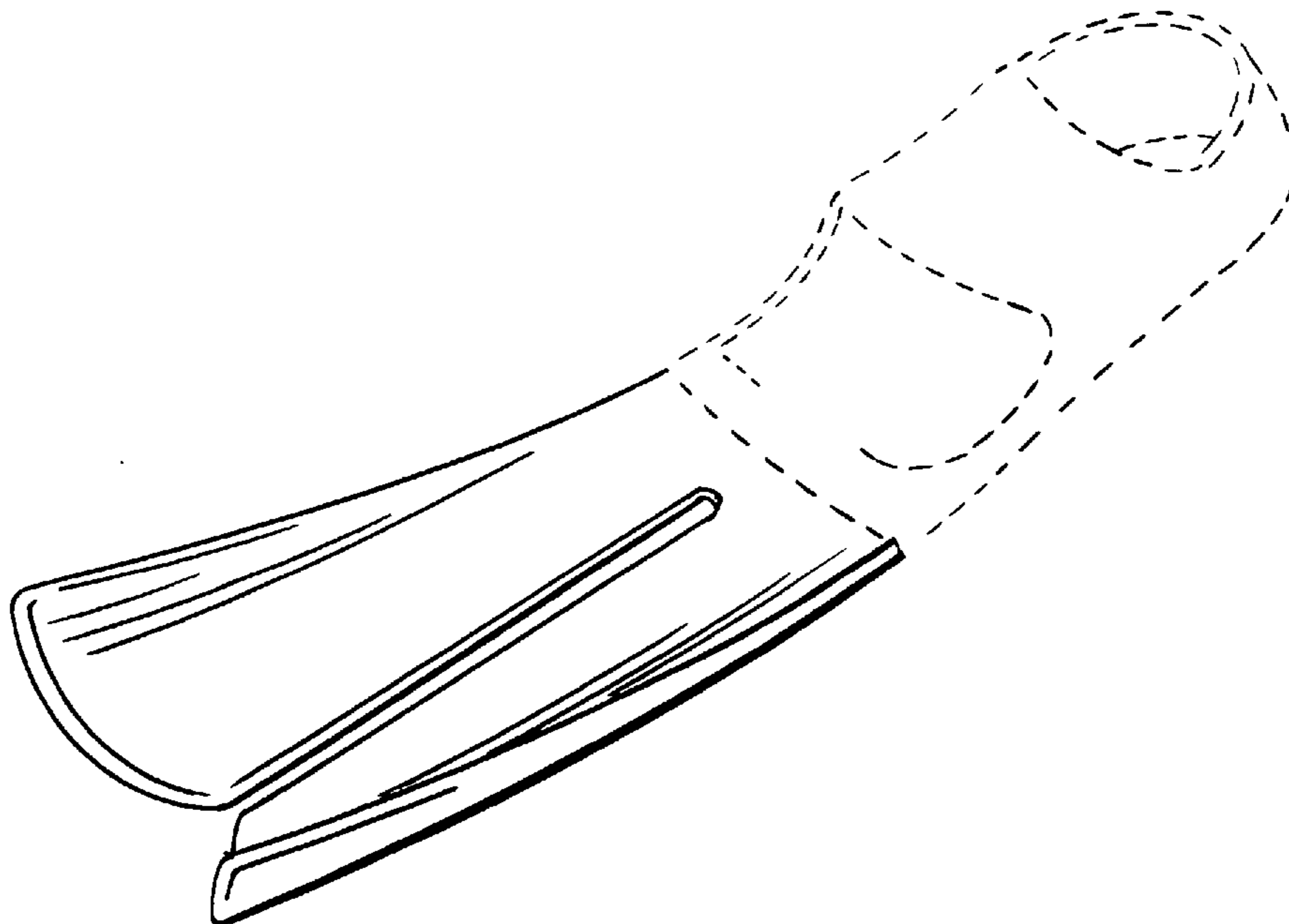
FIG. 10 is a rear view of FIG. 7;

FIG. 11 is a right side elevational view of FIG. 7, the left side elevational view being a mirror image of that shown;

FIG. 12 is a top view of FIG. 7; and,

FIG. 13 is a bottom view of FIG. 7.

**1 Claim, 4 Drawing Sheets**



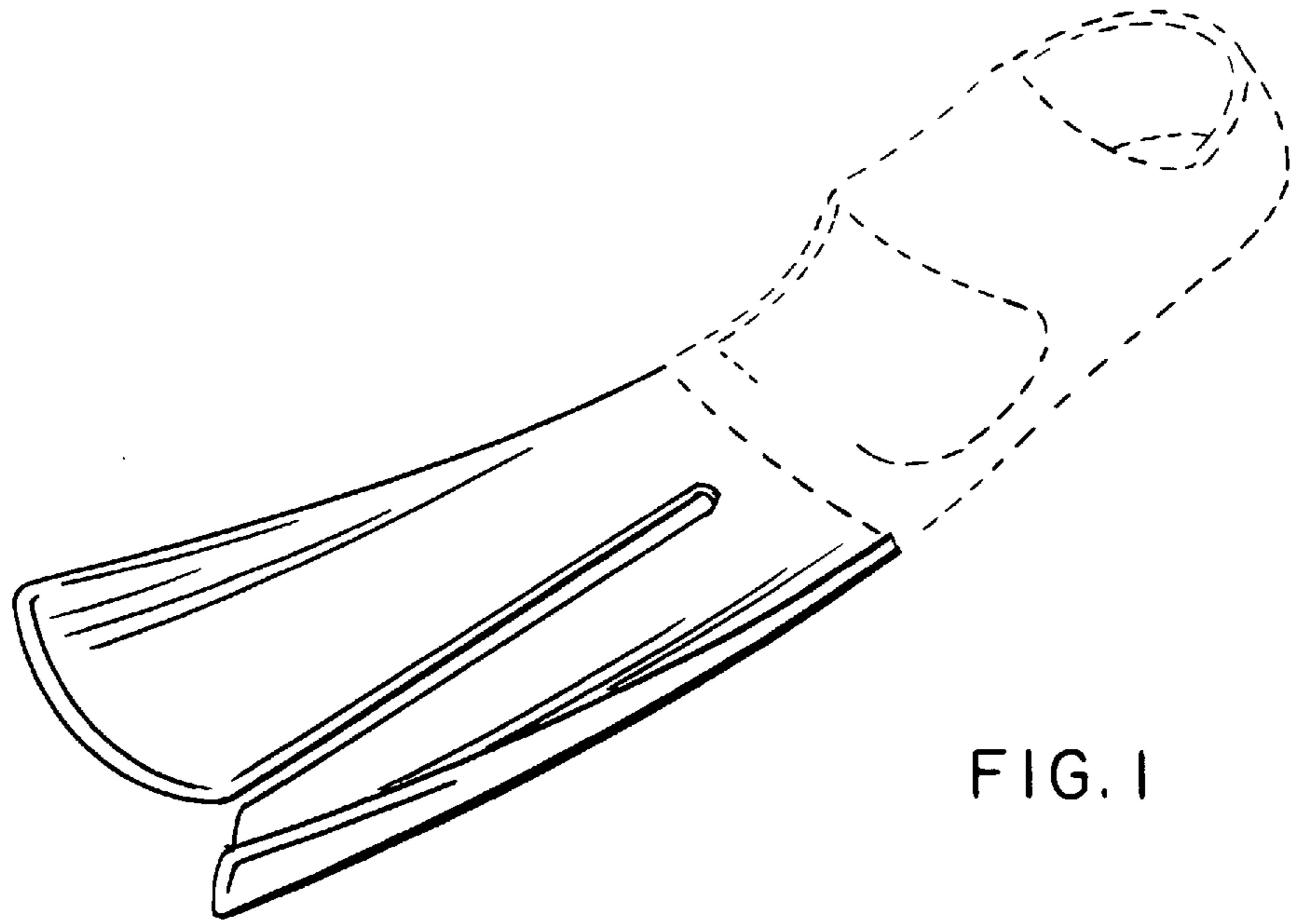


FIG. 1

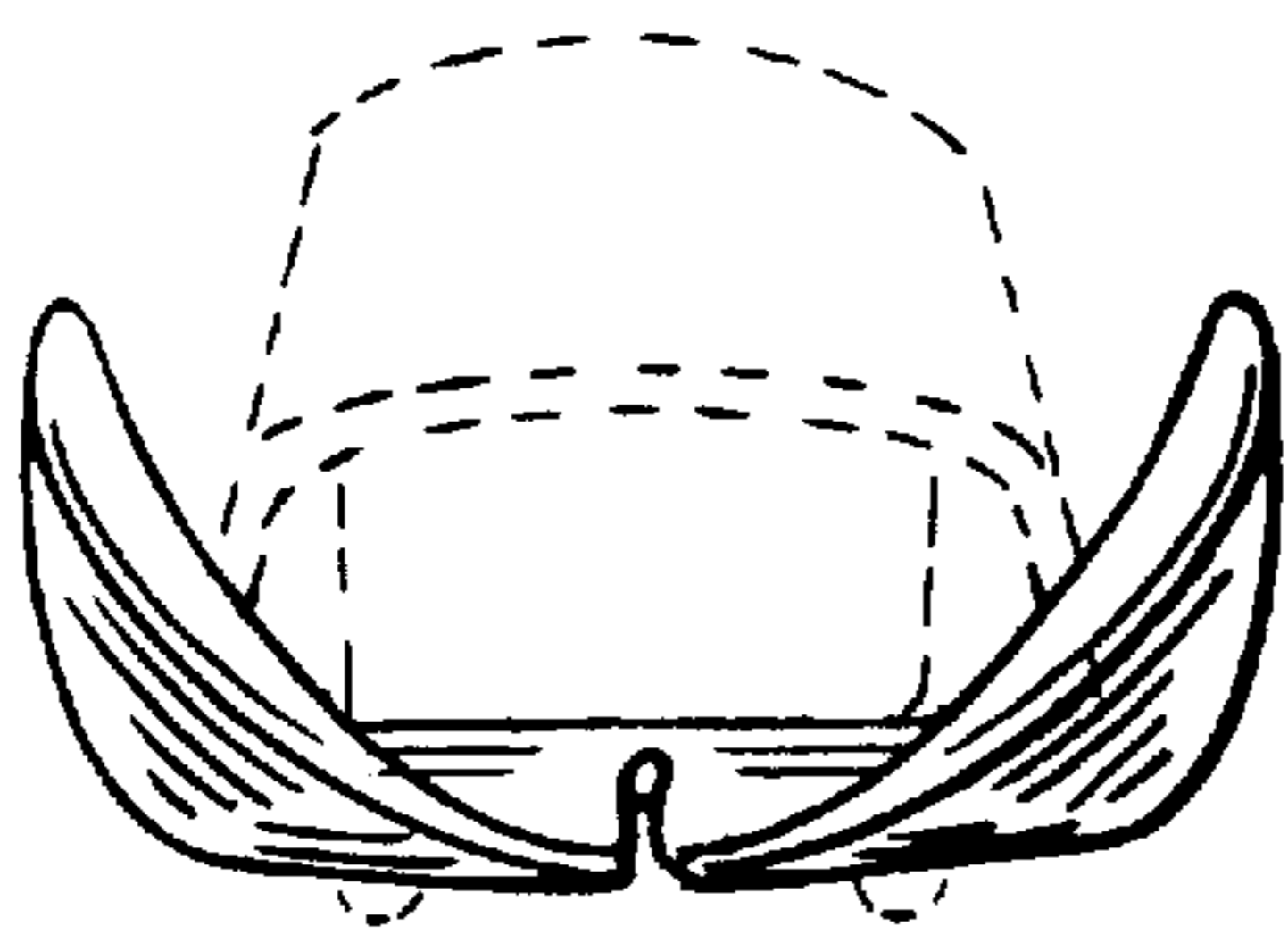


FIG. 2

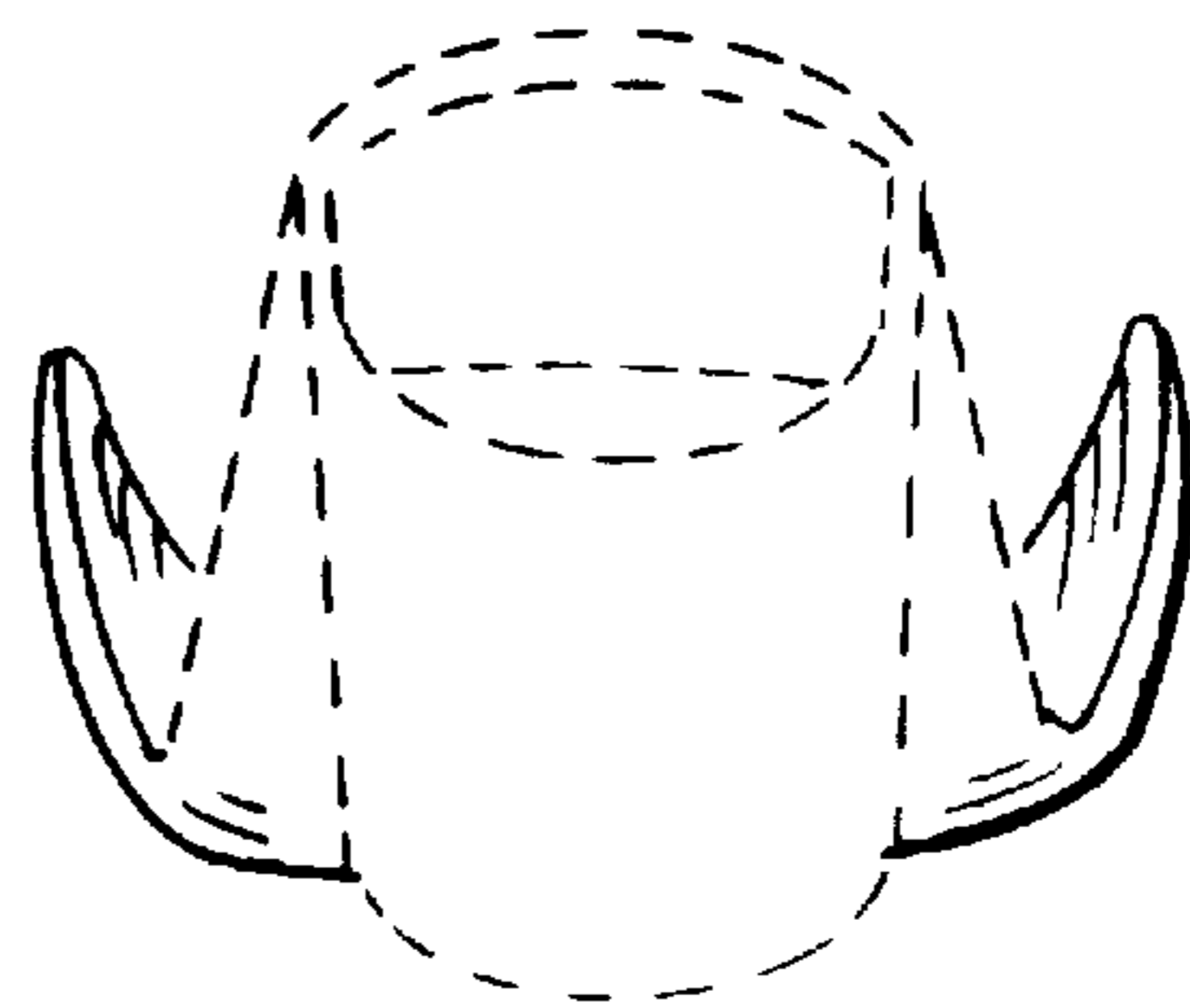


FIG. 3

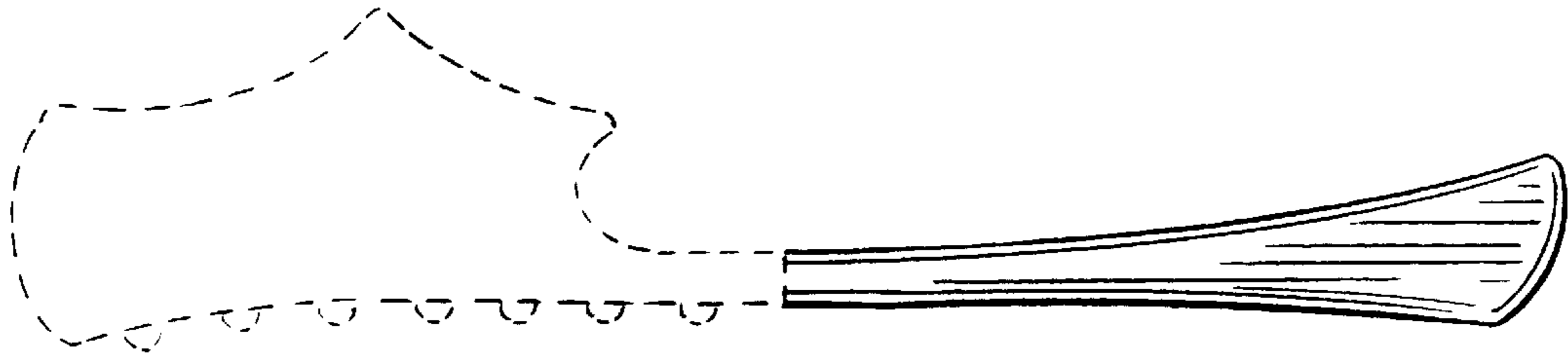


FIG. 4

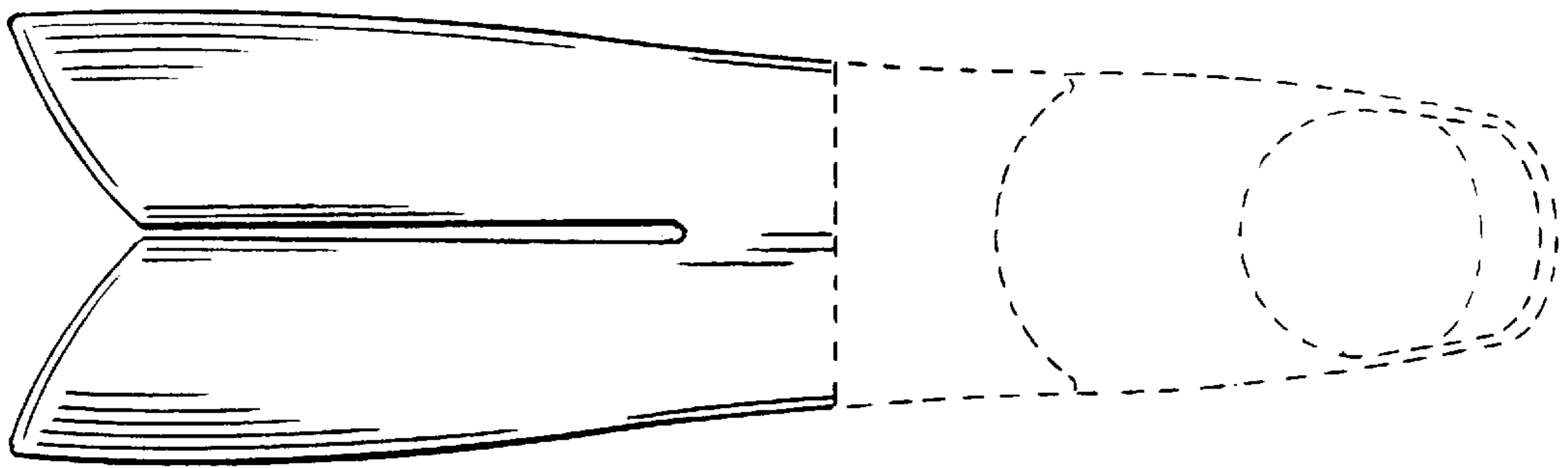


FIG. 5

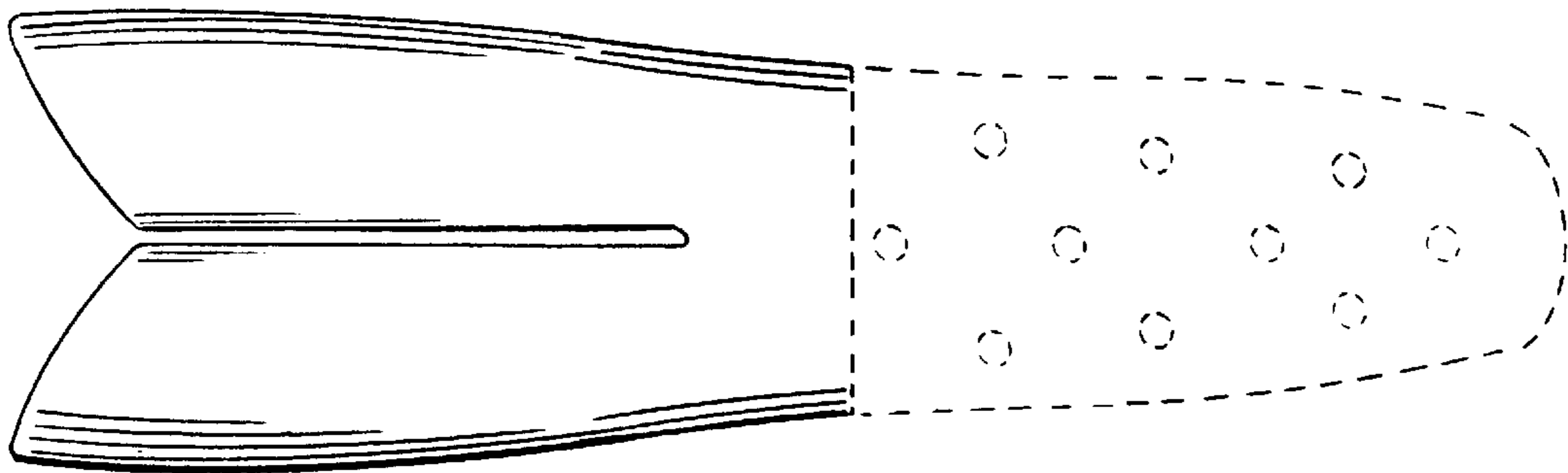


FIG. 6

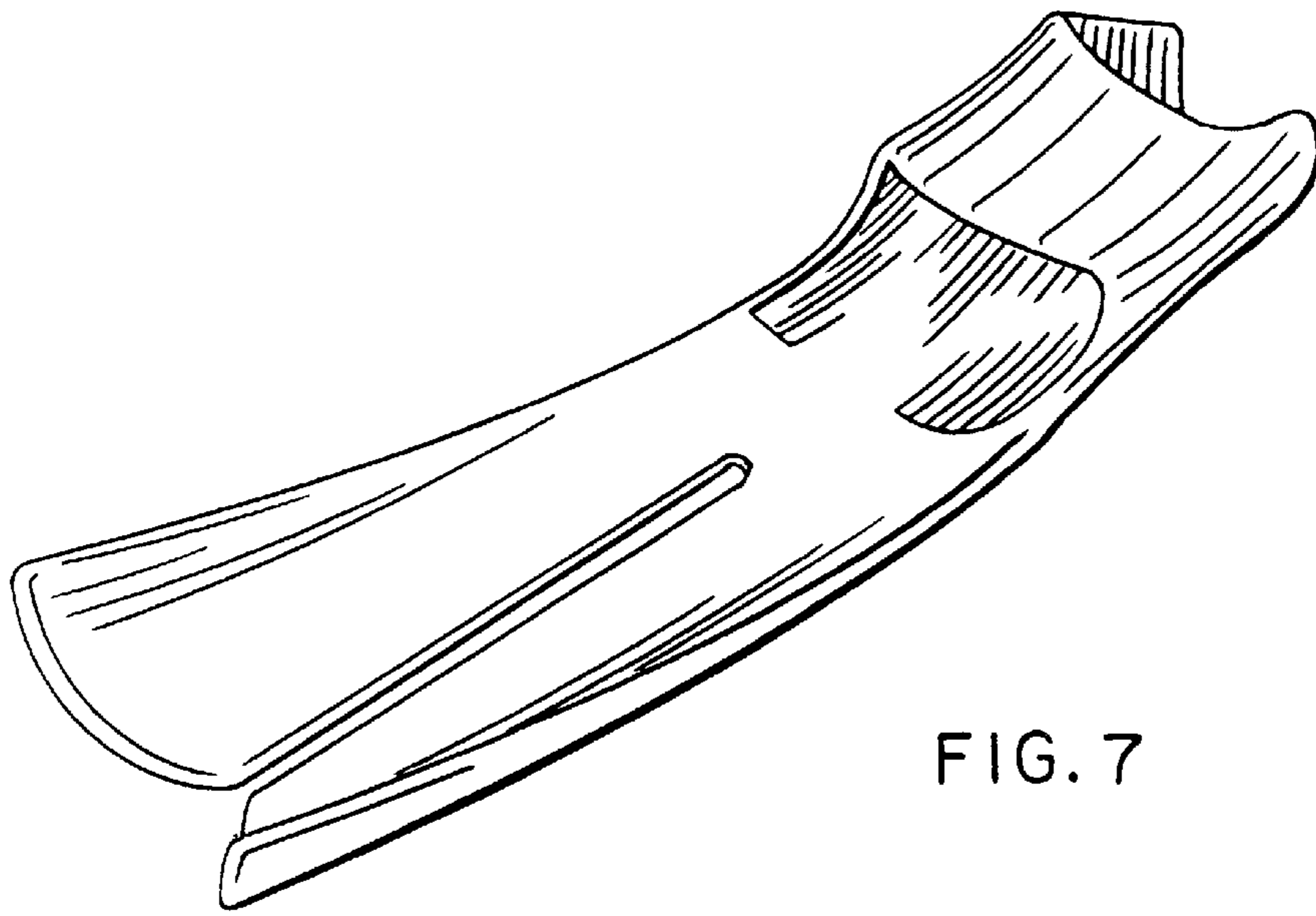


FIG. 7

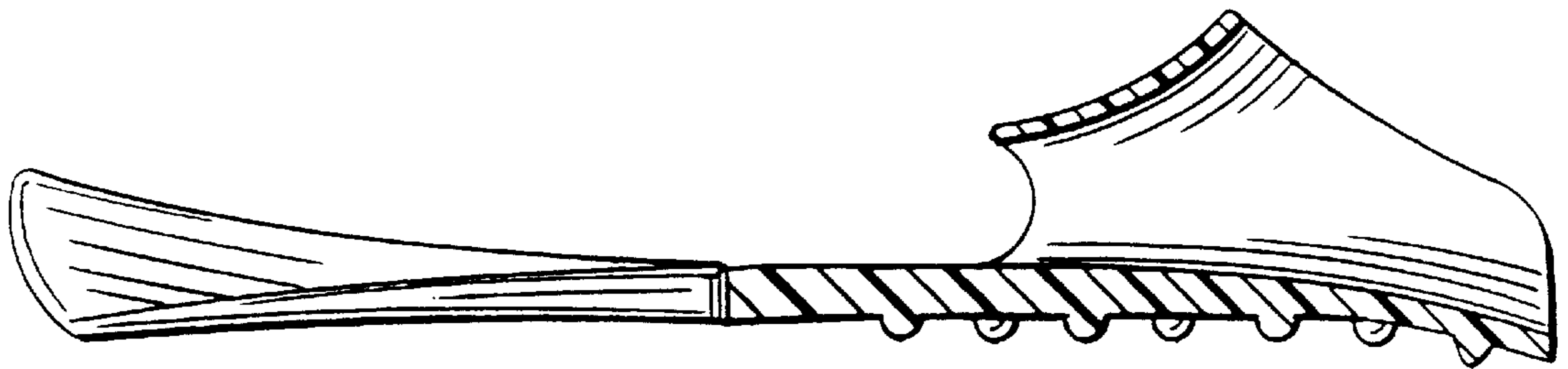


FIG. 8

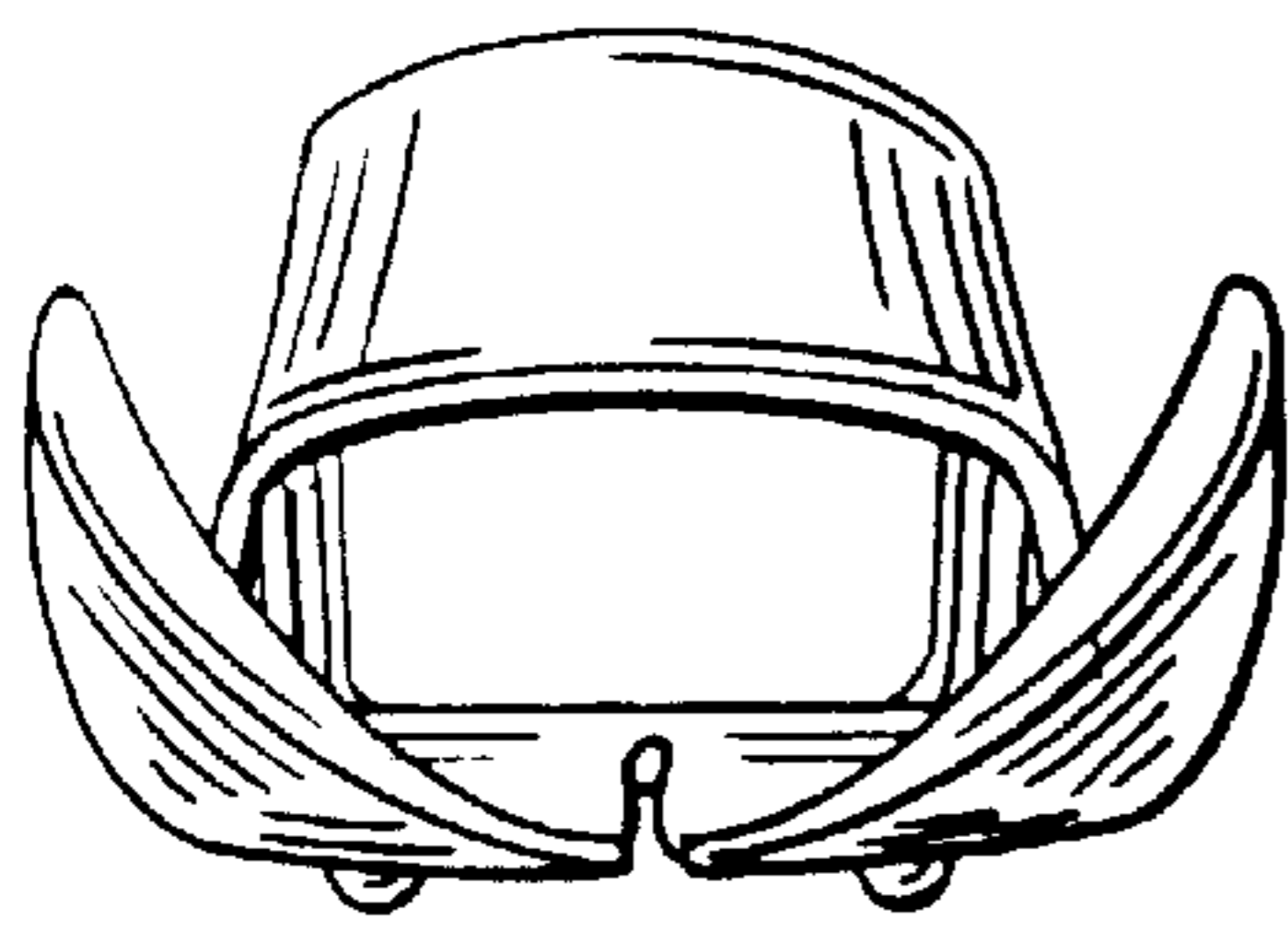


FIG. 9

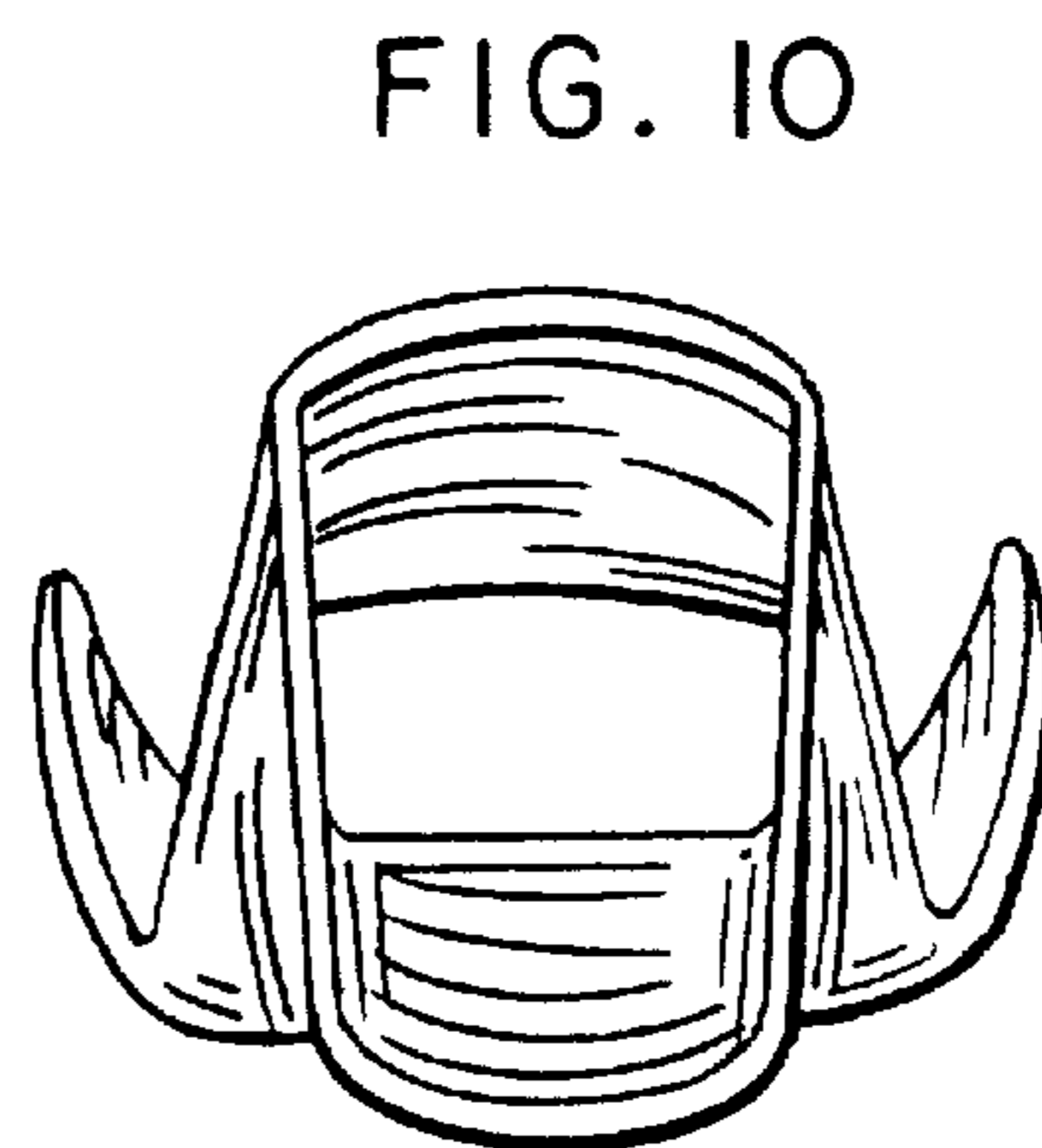


FIG. 10

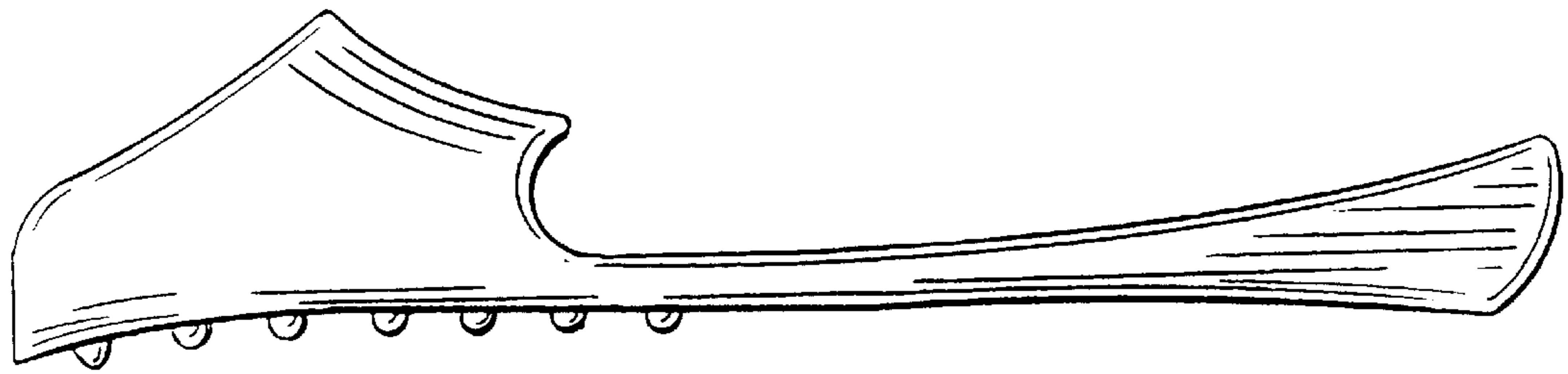


FIG. 11

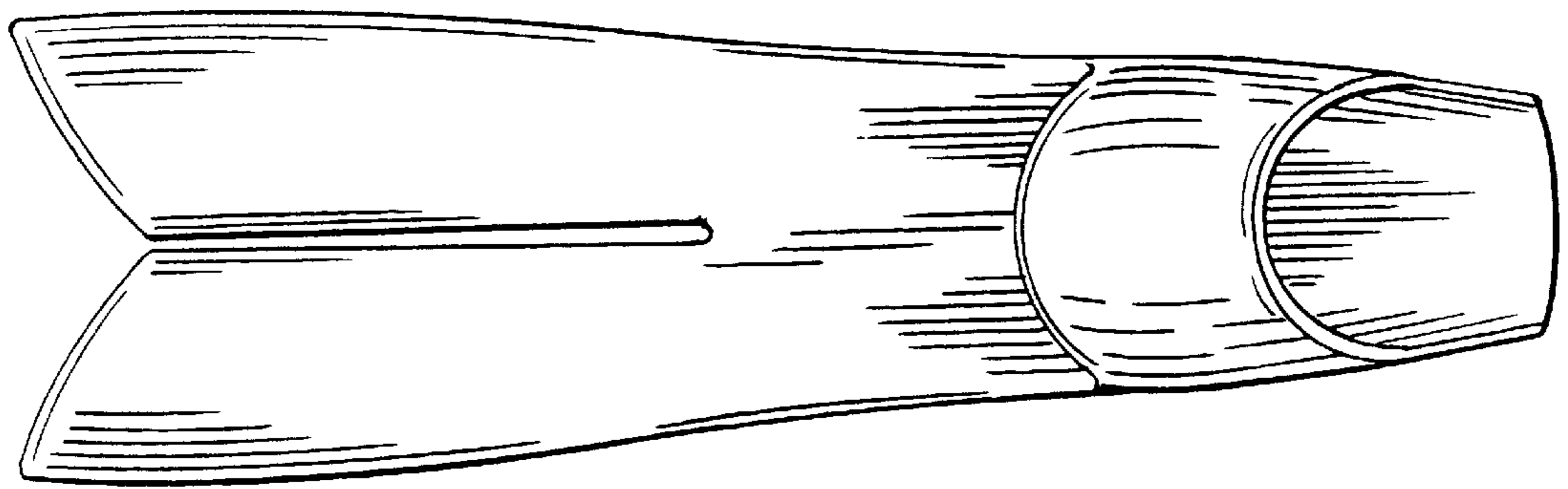


FIG. 12

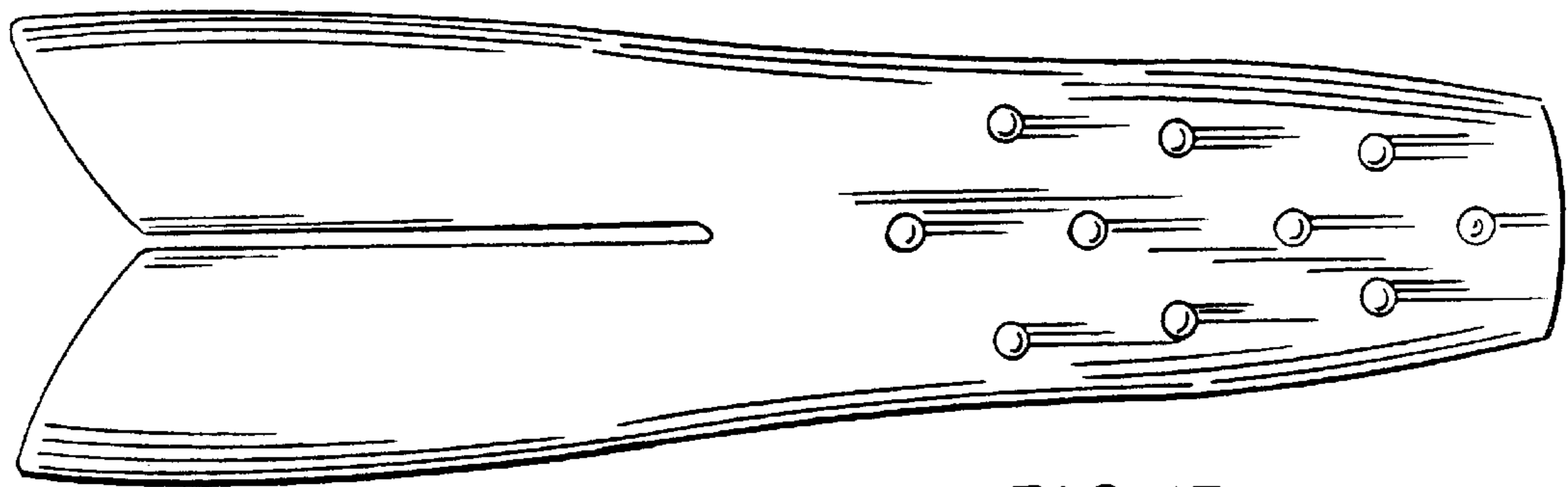


FIG. 13