



US00D404452S

# United States Patent [19]

Desmarais

[11] **Patent Number: Des. 404,452**

[45] **Date of Patent: \*\*Jan. 19, 1999**

[54] **GOLF CLUB**

[76] Inventor: **Louis Desmarais**, 156 Lusignan, St. Charles sur Richelieu, Quebec, Canada, JOH 2G0

[\*\*] Term: **14 Years**

[21] Appl. No.: **79,922**

[22] Filed: **Aug. 28, 1997**

[51] **LOC (6) Cl.** ..... **21-02**

[52] **U.S. Cl.** ..... **D21/748**

[58] **Field of Search** ..... D21/747, 748, D21/749, 750, 751, 752; 473/324, 327, 328, 314, 349, 350

[56] **References Cited**

**U.S. PATENT DOCUMENTS**

D. 356,133	3/1995	Desmarais	.....	D21/750
2,683,036	7/1954	Klein	.....	473/349
5,338,029	8/1994	Falzone	.....	473/314

*Primary Examiner*—Philip S. Hyder  
*Assistant Examiner*—Mitchell I. Siegel  
*Attorney, Agent, or Firm*—Eric Fincham

[57] **CLAIM**

The ornamental design for a golf club, as shown and described.

**DESCRIPTION**

FIG. 1 is a perspective view of a first embodiment of the golf club;

FIG. 2 is a front elevational view thereof;

FIG. 3 is an end elevational view thereof as seen from the left hand side of FIG. 2;

FIG. 4 is a rear elevational view thereof;

FIG. 5 is an end elevational view as seen from the right hand side of FIG. 2;

FIG. 6 is a bottom elevational view thereof;

FIG. 7 is a top plan view thereof;

FIG. 8 is a perspective view of a second embodiment of the golf club;

FIG. 9 is a front elevational view thereof;

FIG. 10 is an end elevational view thereof as seen from the left hand side of FIG. 2A;

FIG. 11 is a rear elevational view thereof;

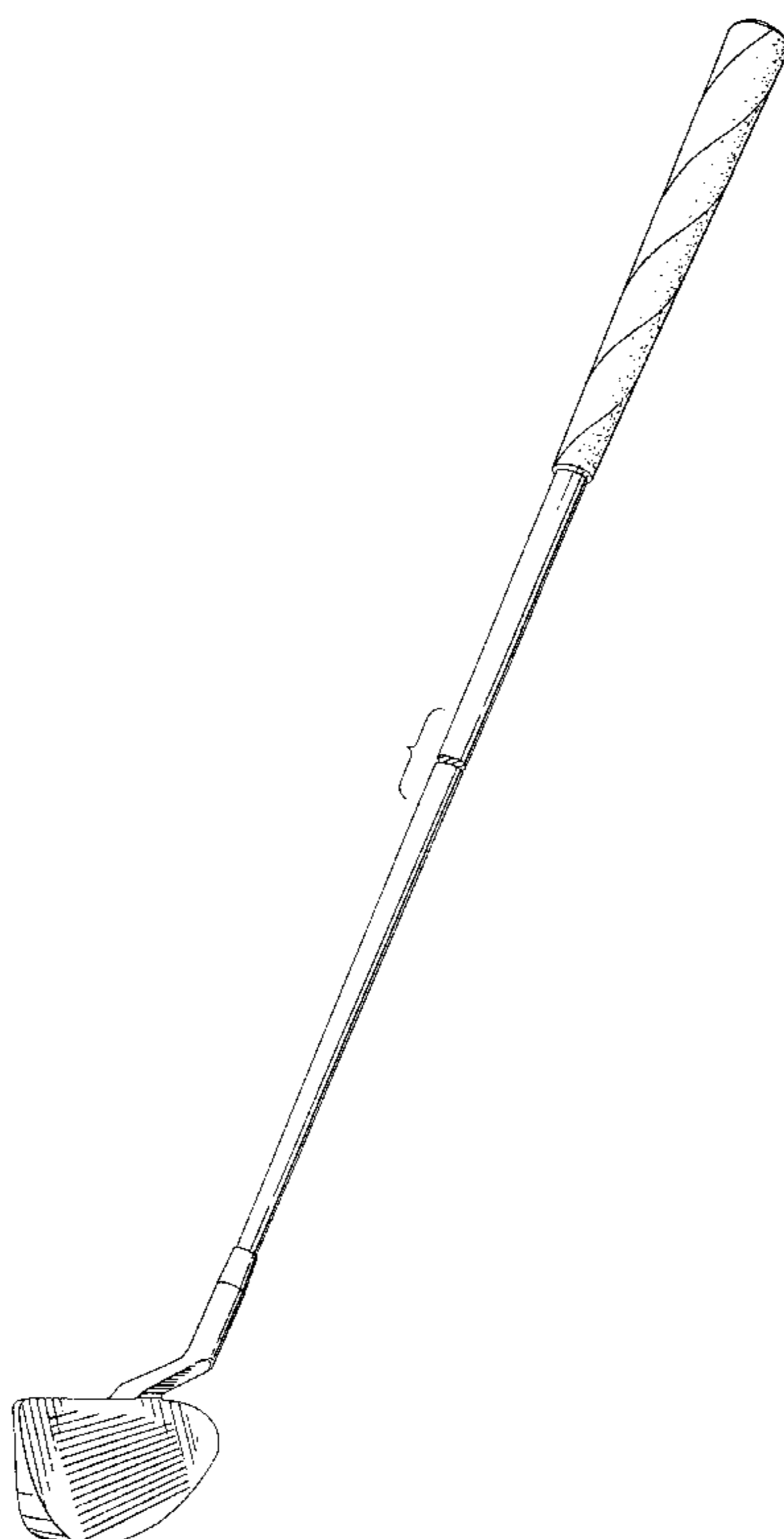
FIG. 12 is an end elevational view as seen from the right hand side of FIG. 2A;

FIG. 13 is a bottom elevational view thereof; and,

FIG. 14 is a top plan view thereof.

The broken away portion of the shaft is shown due to indeterminate length.

**1 Claim, 4 Drawing Sheets**



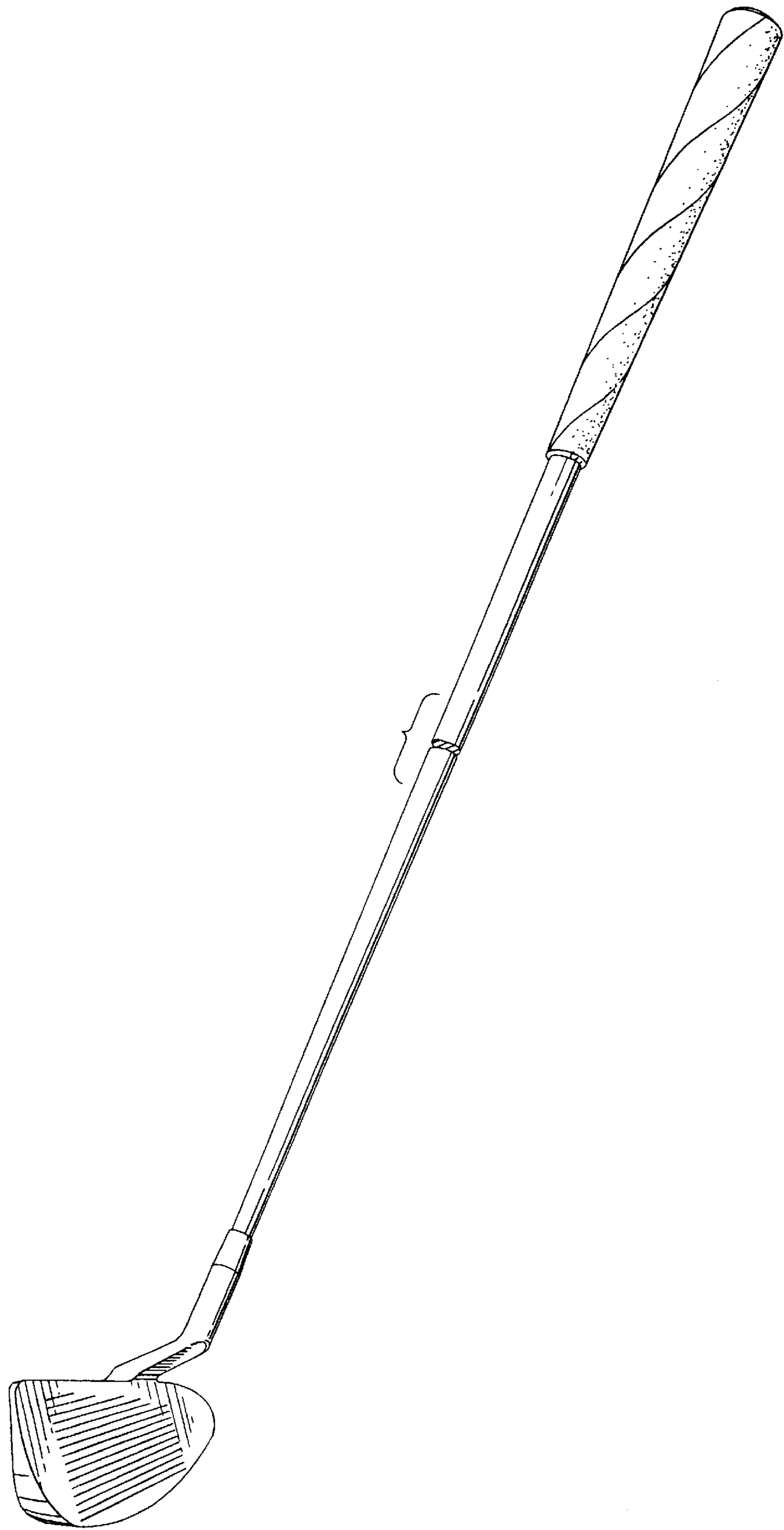


Fig- 1

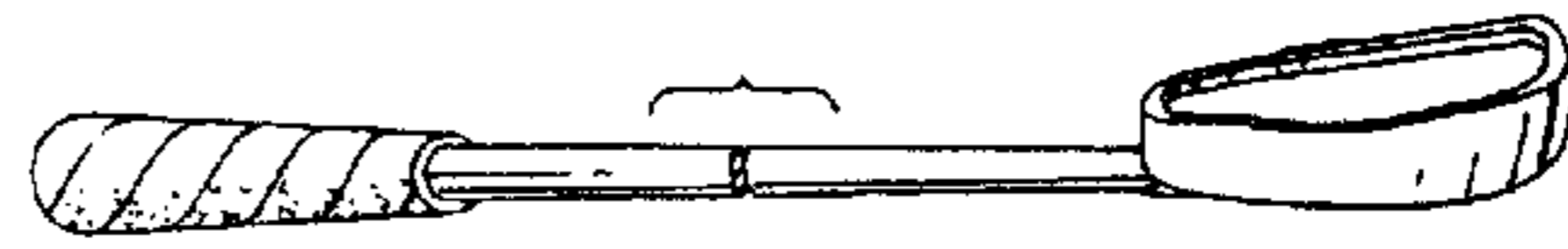


Fig- 6



Fig- 2

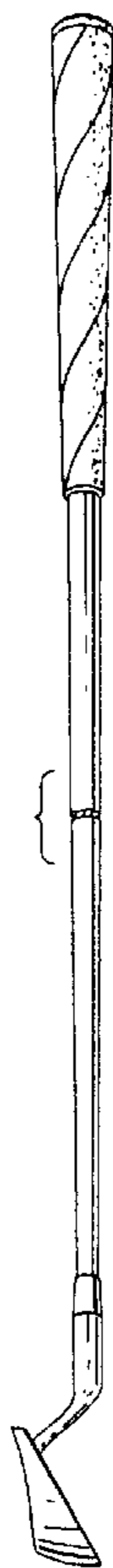


Fig- 3



Fig- 4

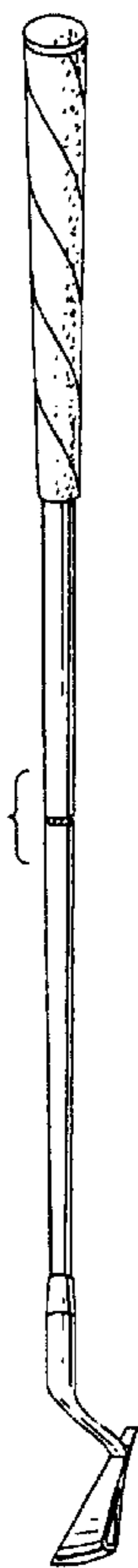


Fig- 5

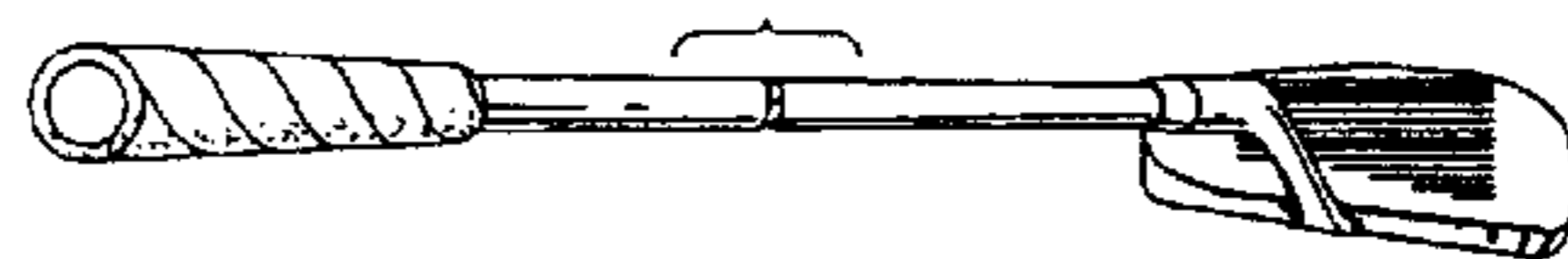


Fig- 7

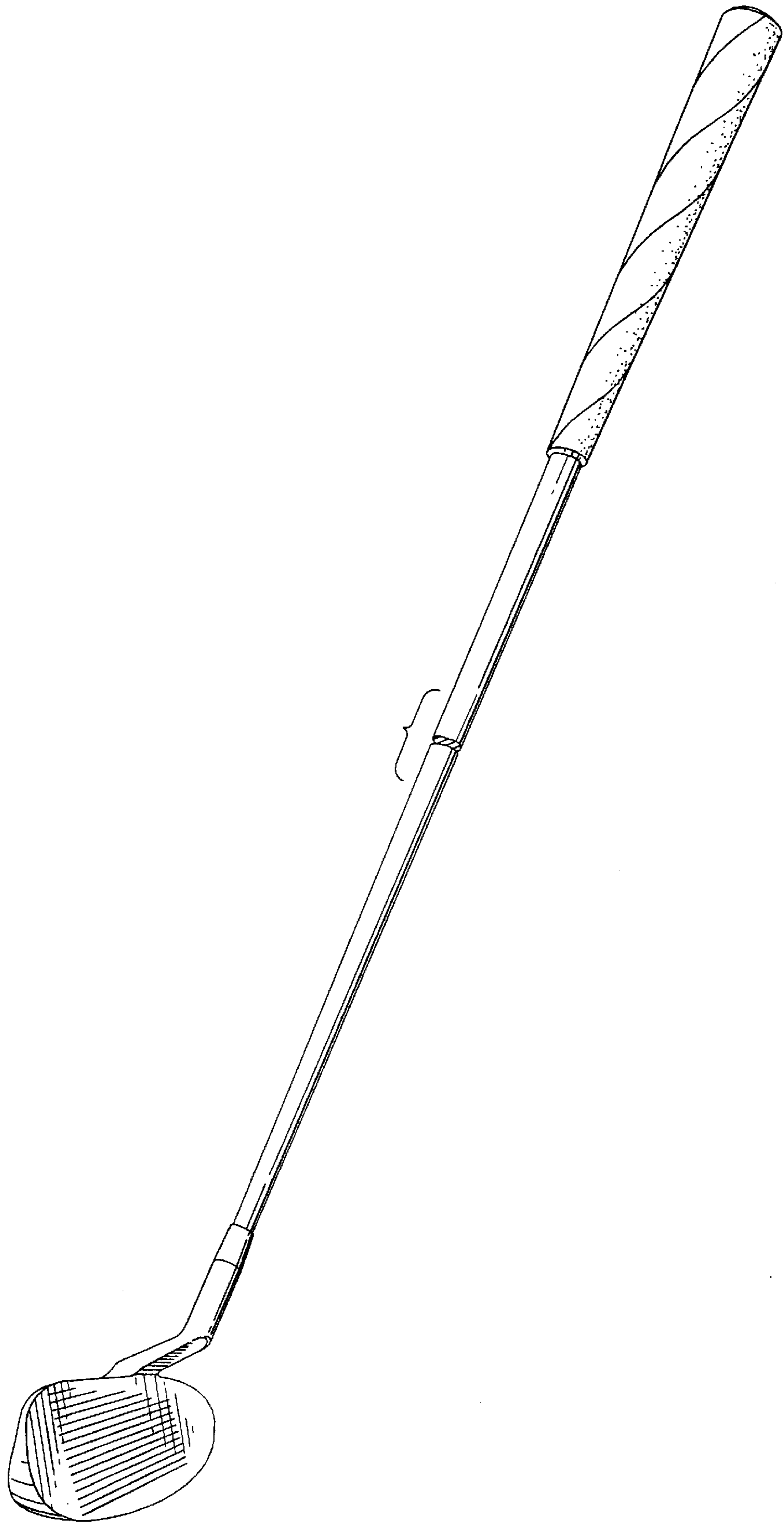


Fig- 8

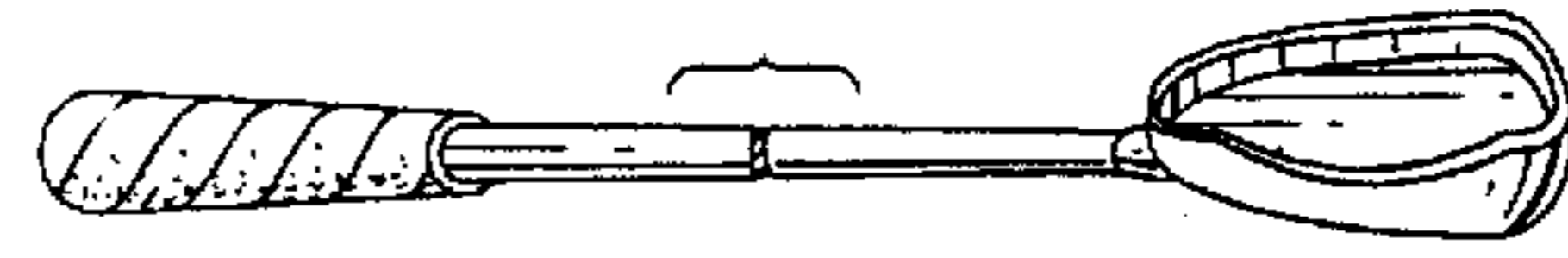


Fig- 13

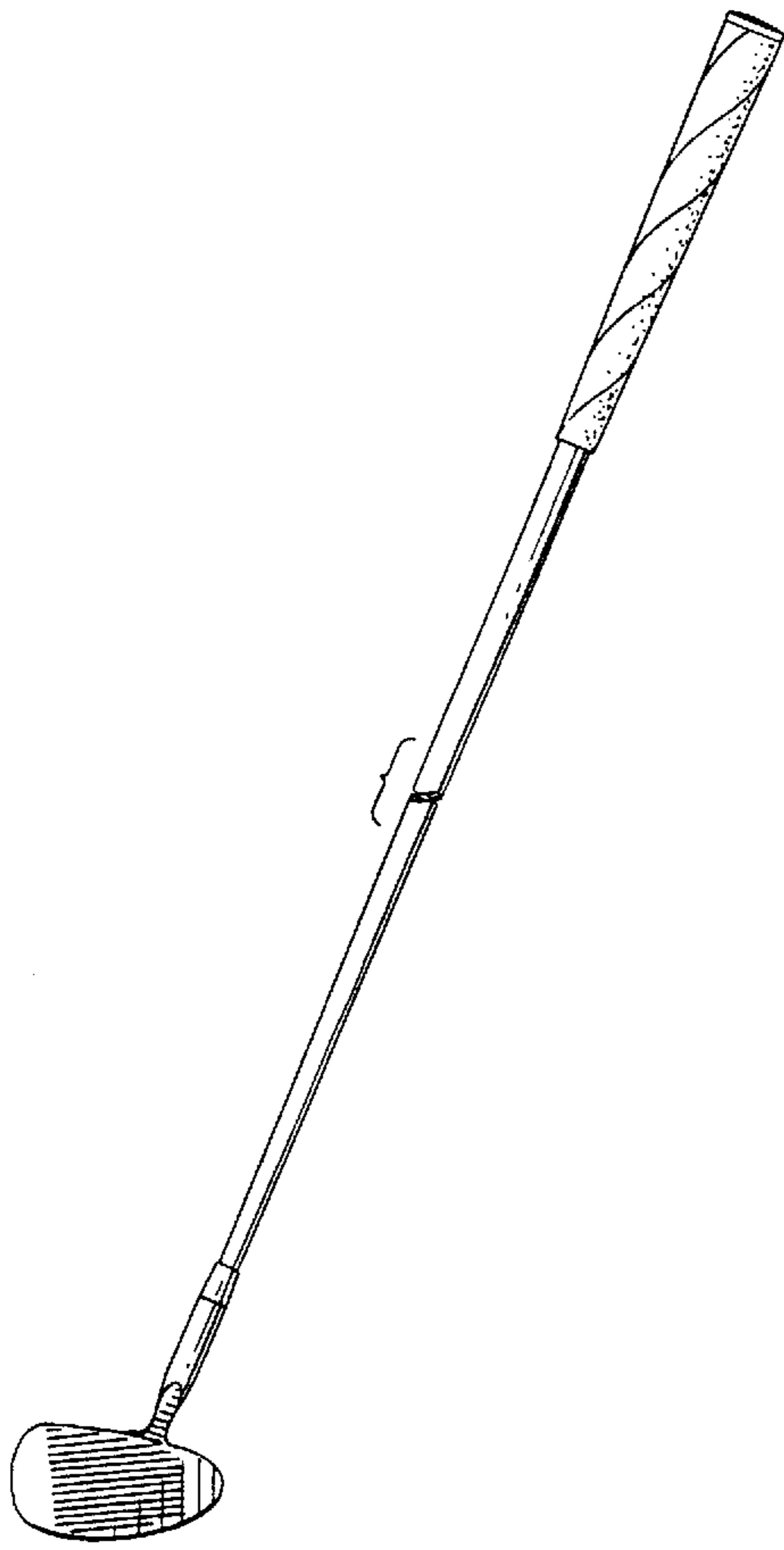


Fig- 9

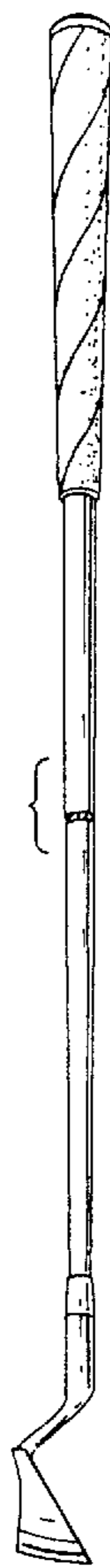


Fig- 10



Fig- 11

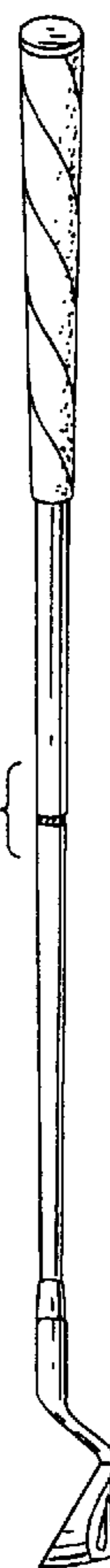


Fig- 12



Fig- 14