



US00D404451S

# United States Patent [19] Sheets

[11] **Patent Number: Des. 404,451**

[45] **Date of Patent: \*\*\*Jan. 19, 1999**

[54] **GOLF CLUB PUTTER HEAD**

4,043,562 8/1977 Shillington ..... 473/254

[76] Inventor: **Jeffrey D. Sheets**, 12 Southwood Dr.,  
Wilbraham, Mass. 01095

### OTHER PUBLICATIONS

[\*] Notice: The portion of the term of this patent  
subsequent to Jul. 14, 2012, has been  
disclaimed.

Golf Day; p. 9; MacGregor putter, item A, lower right corner  
of page Jul. 1994.

Golf World; Wilson Supplement; p. 9; top two rows of  
putters Feb. 1988.

[\*\*] Term: **14 Years**

Golf World; p. 24; Item A, upper right corner of page Nov.  
1979.

[21] Appl. No.: **65,310**

*Primary Examiner*—Philip S. Hyder  
*Assistant Examiner*—Mitchell I. Siegel

[22] Filed: **Jan. 23, 1997**

### [57] CLAIM

[51] **LOC (6) Cl. .... 21-02**

The ornamental design of the gold club putter head, as  
shown and described.

[52] **U.S. Cl. .... D21/746**

[58] **Field of Search .... D21/217-219;  
473/251-256, 340, 341**

### DESCRIPTION

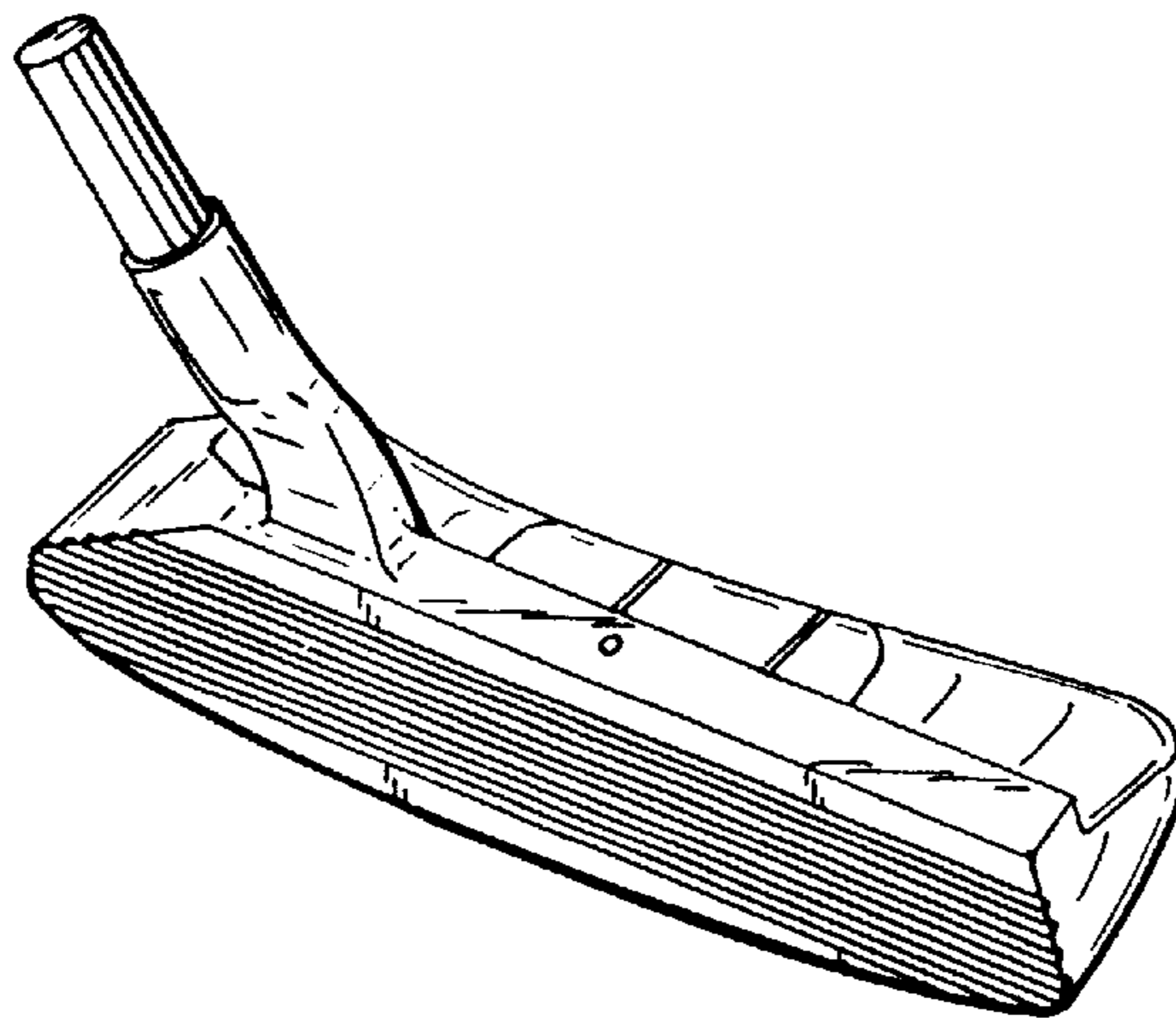
### [56] References Cited

#### U.S. PATENT DOCUMENTS

D. 212,890	12/1968	Rose .....	D21/217
D. 255,373	6/1980	Solheim .....	D21/219
D. 341,405	11/1993	Solheim .....	D21/219
D. 363,327	10/1995	Greene et al. ....	D21/219
D. 363,328	10/1995	Greene et al. ....	D21/219
D. 363,330	10/1995	Greene et al. ....	D21/219
D. 368,505	4/1996	Greene et al. ....	D21/219

FIG. 1 is a perspective view of the golf club putter head  
showing the design of my invention;  
FIG. 2 is a front view thereof;  
FIG. 3 is a top plan view thereof;  
FIG. 4 is a rear view thereof;  
FIG. 5 is a bottom view thereof;  
FIG. 6 is a right end view thereof; and,  
FIG. 7 is a left end view thereof.

**1 Claim, 2 Drawing Sheets**



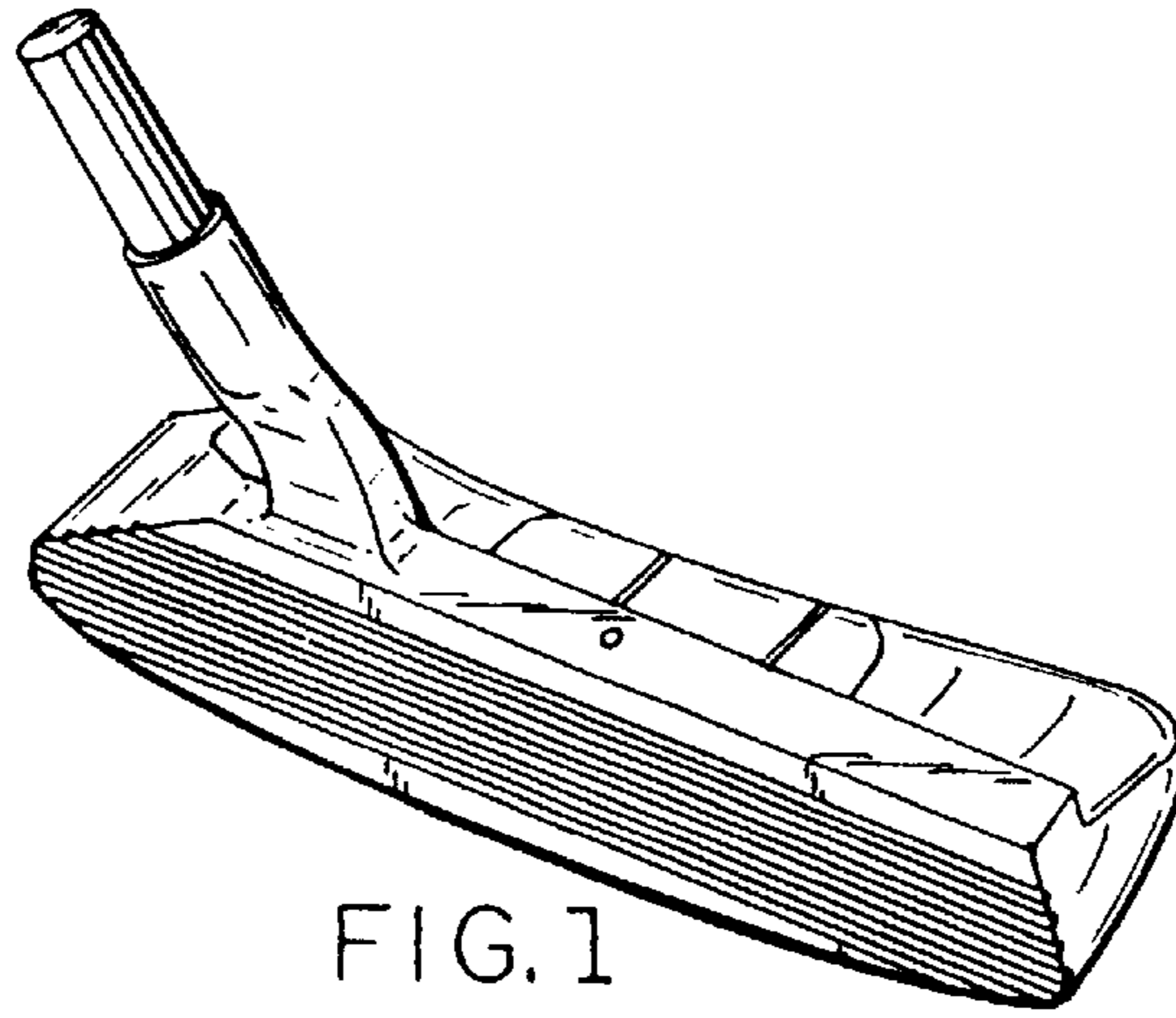


FIG. 1

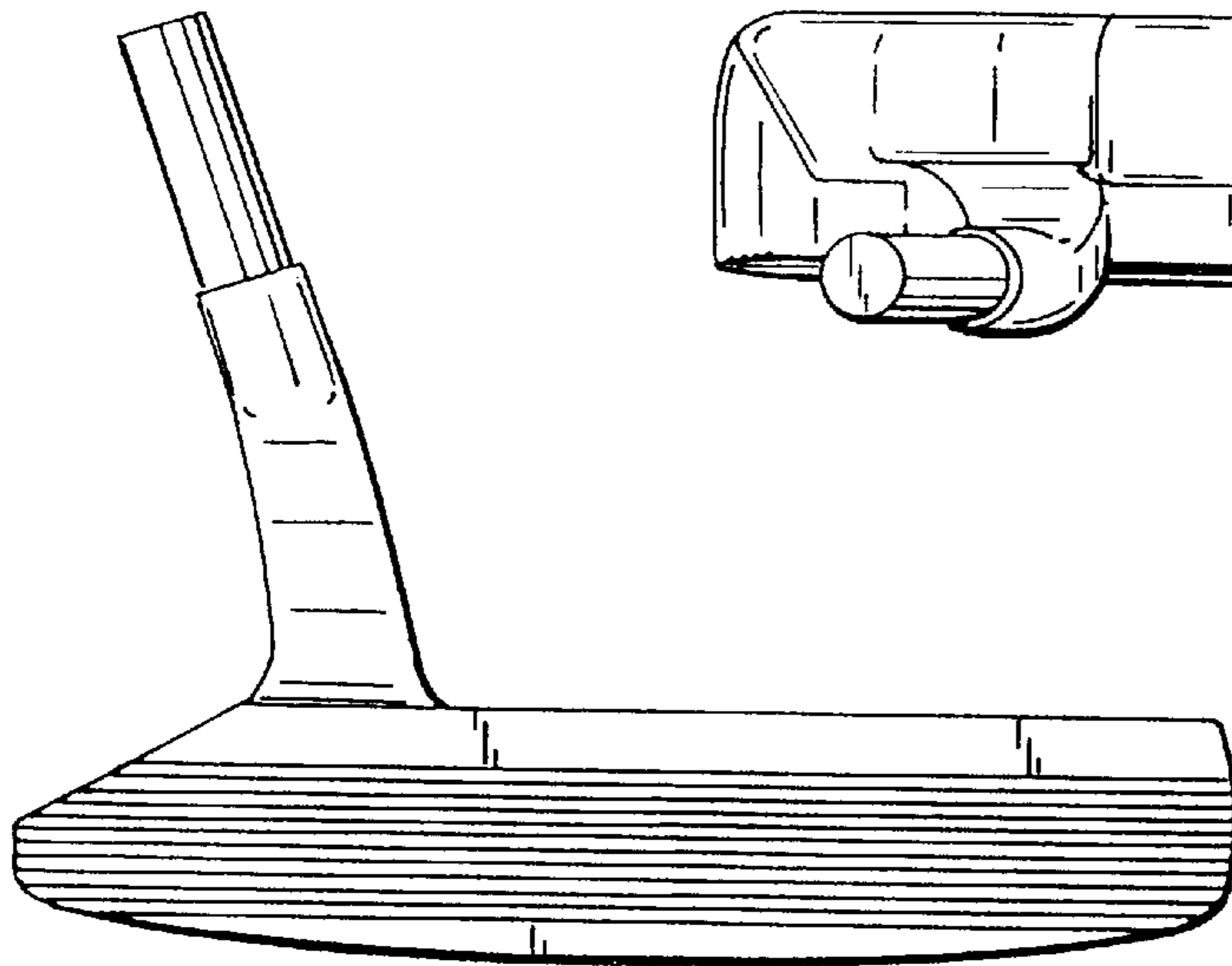


FIG. 2

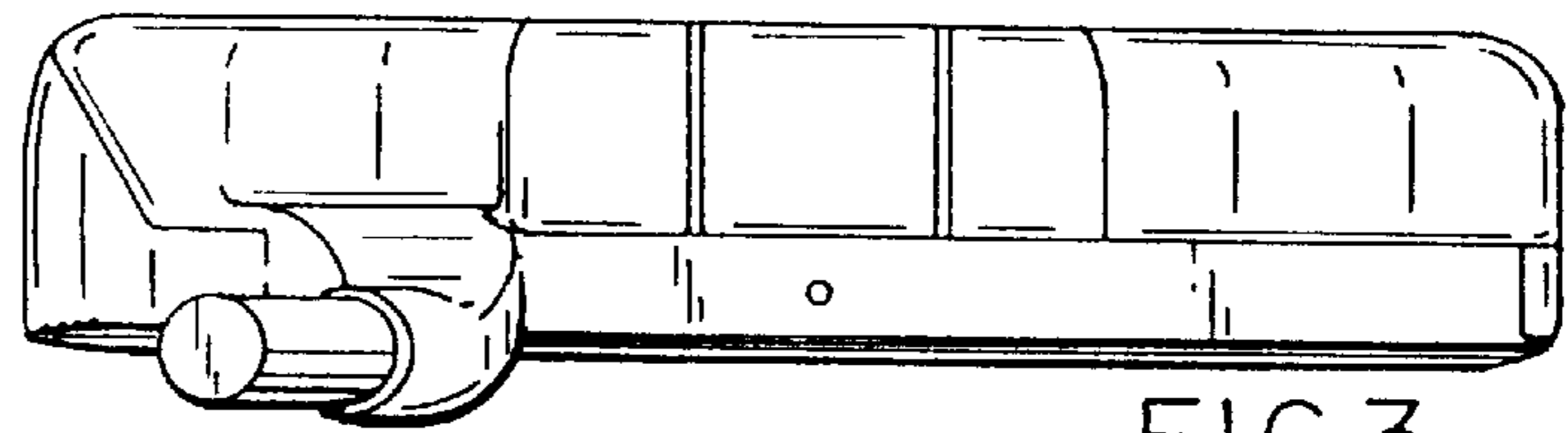


FIG. 3

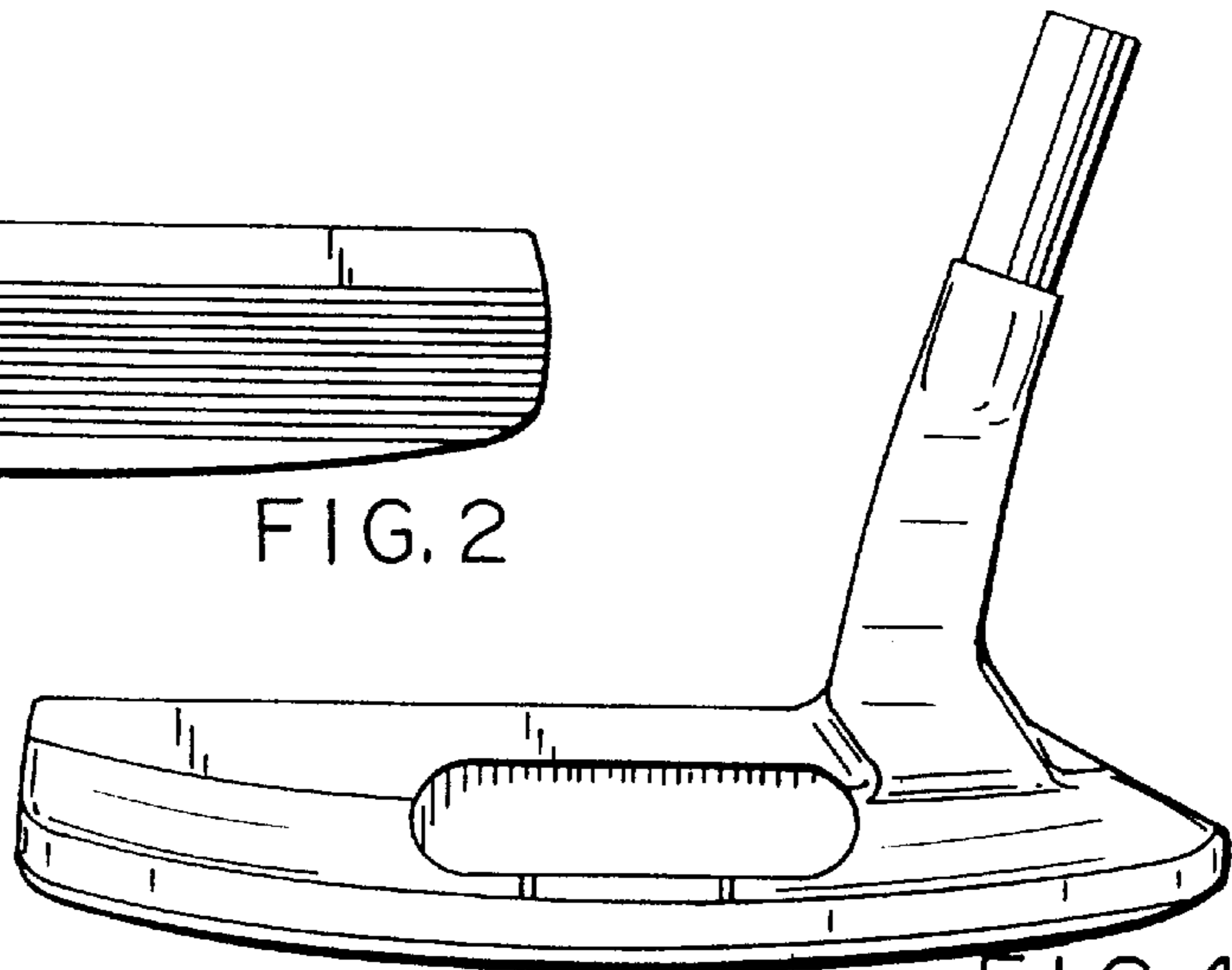


FIG. 4

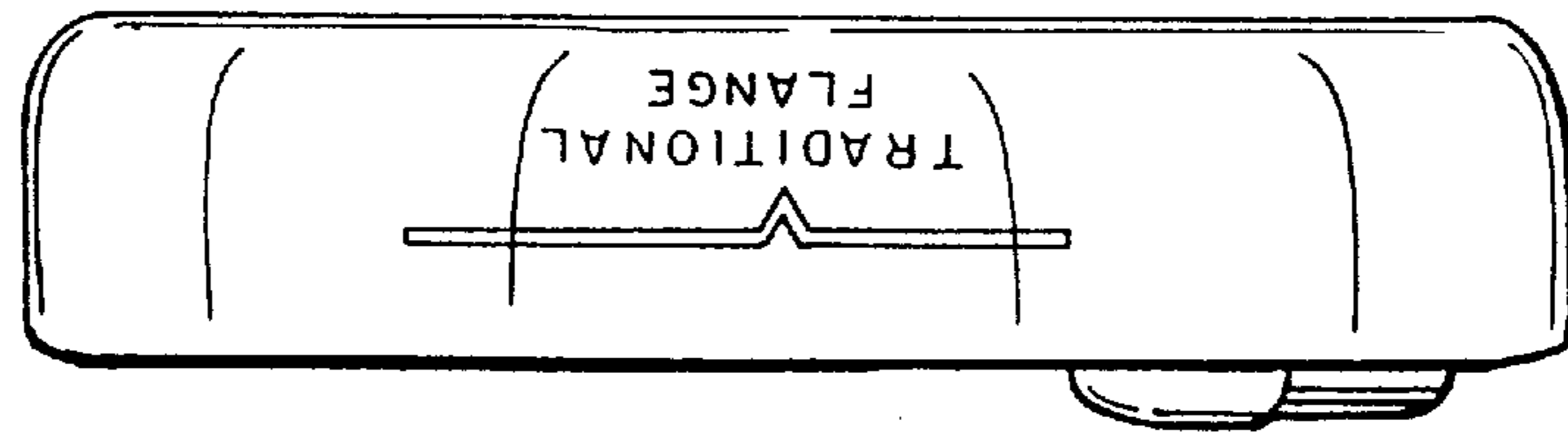


FIG. 5

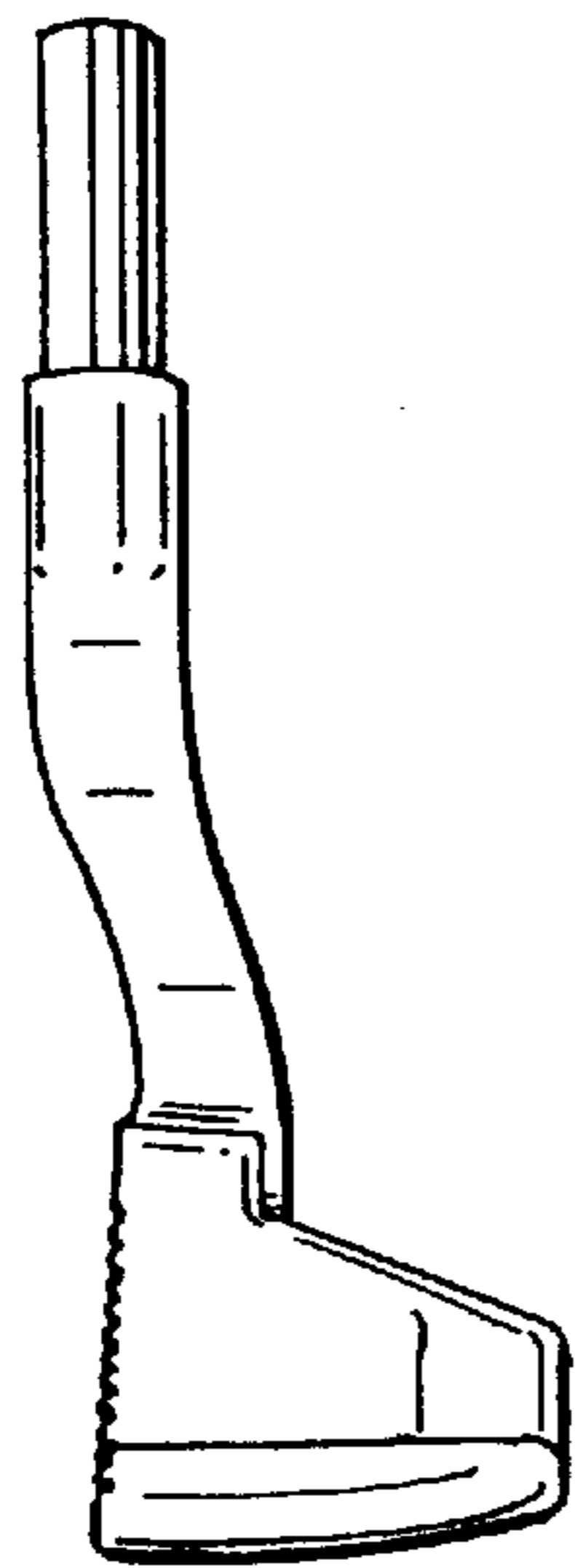


FIG. 6

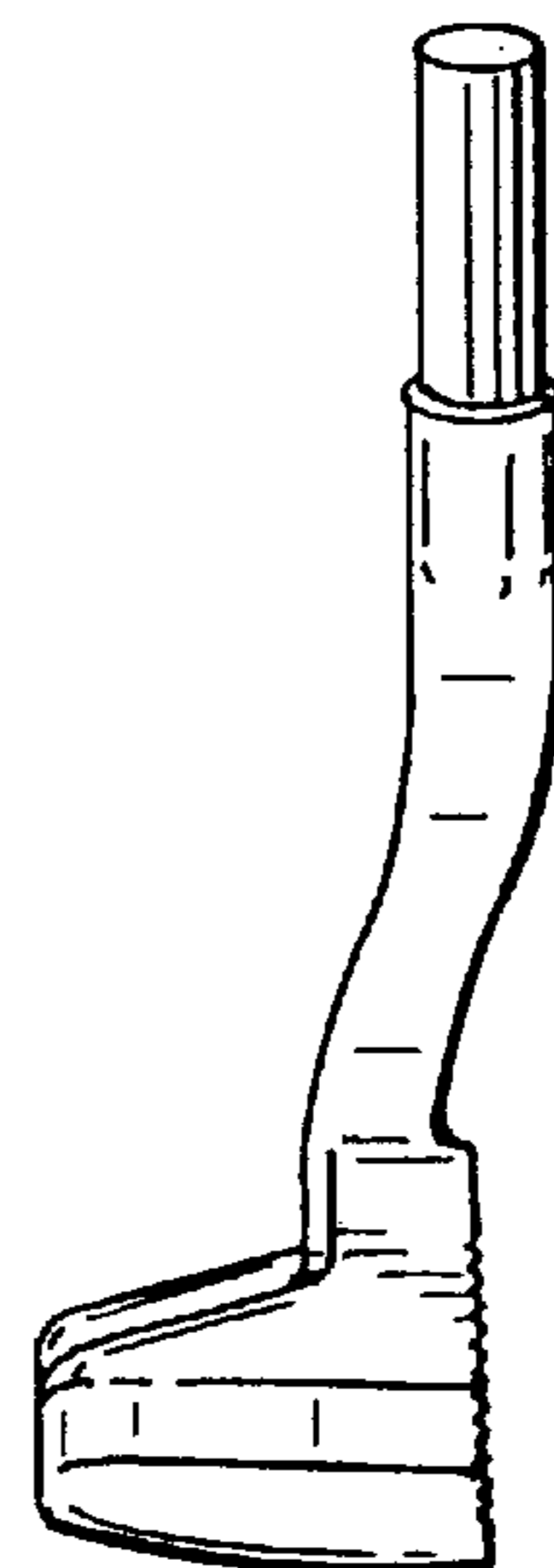


FIG. 7