



US00D404444S

United States Patent [19]

[11] Patent Number: Des. 404,444

Sands et al.

[45] Date of Patent: **Jan. 19, 1999

[54] **RECLINING AEROBIC EXERCISE MACHINE**

[75] Inventors: **Leonard I. Sands**, Tarzana, Calif.;
Johnson Kuo, Taipei, Taiwan

[73] Assignee: **Guthy-Renker Corp.**, Santa Monica, Calif.

[**] Term: **14 Years**

[21] Appl. No.: **81,852**

[22] Filed: **Dec. 31, 1997**

| | | | |
|-----------|---------|------------------|---------|
| 4,722,525 | 2/1988 | Brentham | 272/130 |
| 4,830,362 | 5/1989 | Bull | 272/70 |
| 4,909,504 | 3/1990 | Yang | 272/130 |
| 5,230,680 | 7/1993 | Wu | 482/137 |
| 5,254,067 | 10/1993 | Habing et al. | 482/137 |
| 5,318,490 | 6/1994 | Henderson et al. | 482/53 |
| 5,330,405 | 7/1994 | Habing et al. | 482/137 |
| 5,354,248 | 10/1994 | Rawls et al. | 482/6 |
| 5,378,209 | 1/1995 | Kendrew | 482/52 |
| 5,419,752 | 5/1995 | James et al. | 601/5 |
| 5,505,679 | 4/1996 | McBride et al. | 482/53 |
| 5,527,250 | 6/1996 | Chen | 482/96 |
| 5,549,529 | 8/1996 | Rasmussen | 482/96 |
| 5,611,758 | 3/1997 | Rodgers, Jr. | 482/51 |
| 5,620,400 | 4/1997 | Foster | 482/51 |
| 5,669,865 | 9/1997 | Gordon | 482/96 |

Related U.S. Application Data

[63] Continuation-in-part of Ser. No. 812,926, Mar. 10, 1997, Pat. No. 5,743,832.

[51] **LOC (6) Cl.** **21-02**

[52] **U.S. Cl.** **D21/676**

[58] **Field of Search** D21/662, 665,
D21/668, 670, 673, 676; 482/55, 96, 137,
138, 142, 145

References Cited

U.S. PATENT DOCUMENTS

| | | | |
|------------|---------|--------------------|---------|
| D. 263,978 | 4/1982 | Brentham | D21/195 |
| D. 343,878 | 2/1994 | Hughes | D21/676 |
| D. 355,684 | 2/1995 | Rawls et al. | D21/676 |
| D. 357,041 | 4/1995 | McBride et al. | D21/676 |
| D. 359,777 | 6/1995 | Hildebrandt et al. | D21/676 |
| 4,240,627 | 12/1980 | Brentham | 272/130 |
| 4,602,780 | 7/1986 | Gall | 272/72 |

Primary Examiner—Philip S. Hyder
Attorney, Agent, or Firm—Cislo & Thomas LLP

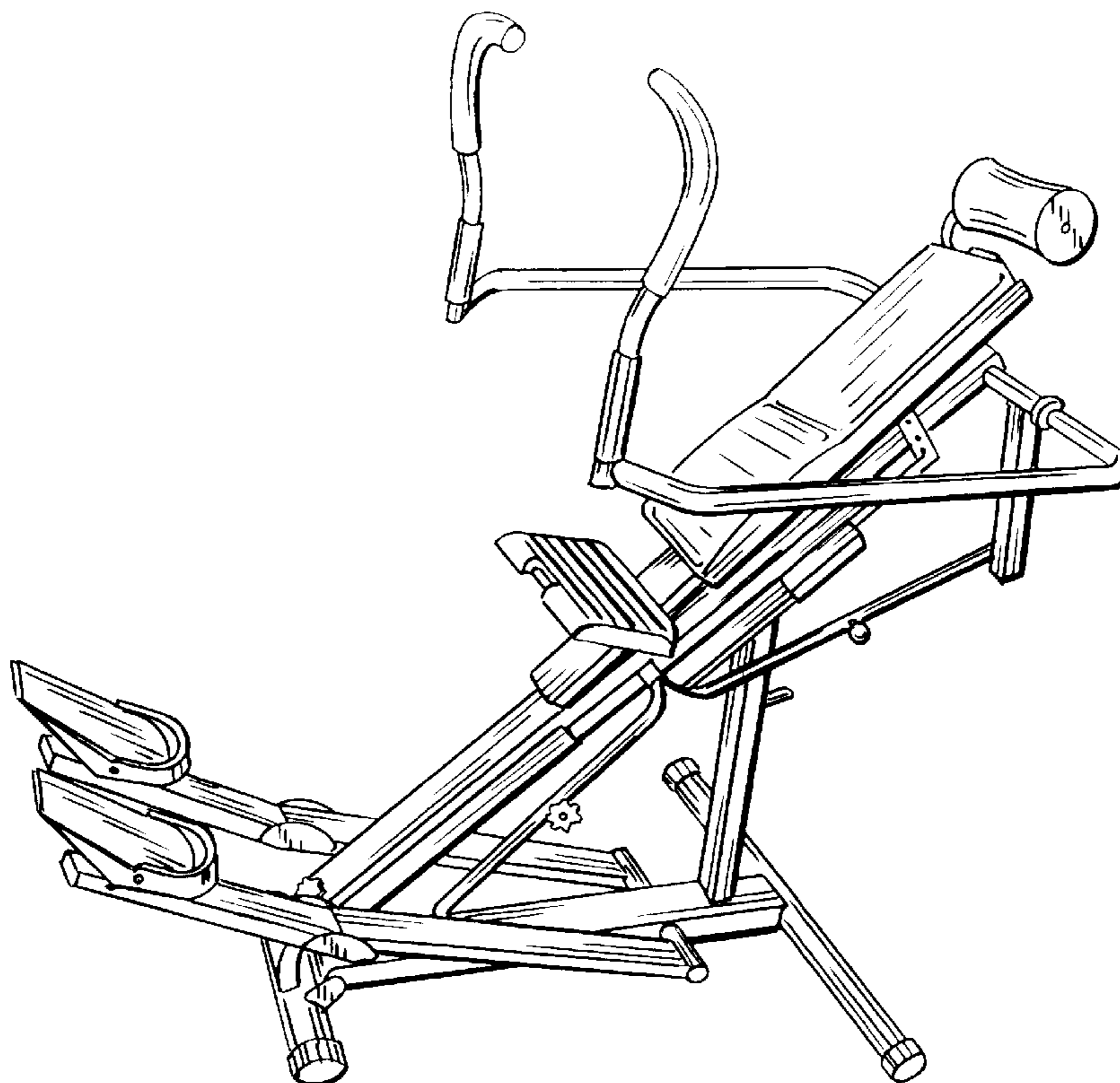
[57] CLAIM

The ornamental design for a reclining aerobic exercise machine, as shown and described.

DESCRIPTION

FIG. 1 is a front perspective view of my reclining aerobic exercise machine;
FIG. 2 is a front view thereof;
FIG. 3 is a rear view thereof;
FIG. 4 is a right side elevational view thereof;
FIG. 5 is a left side elevational view thereof;
FIG. 6 is a top view thereof; and,
FIG. 7 is a bottom view thereof.

1 Claim, 4 Drawing Sheets



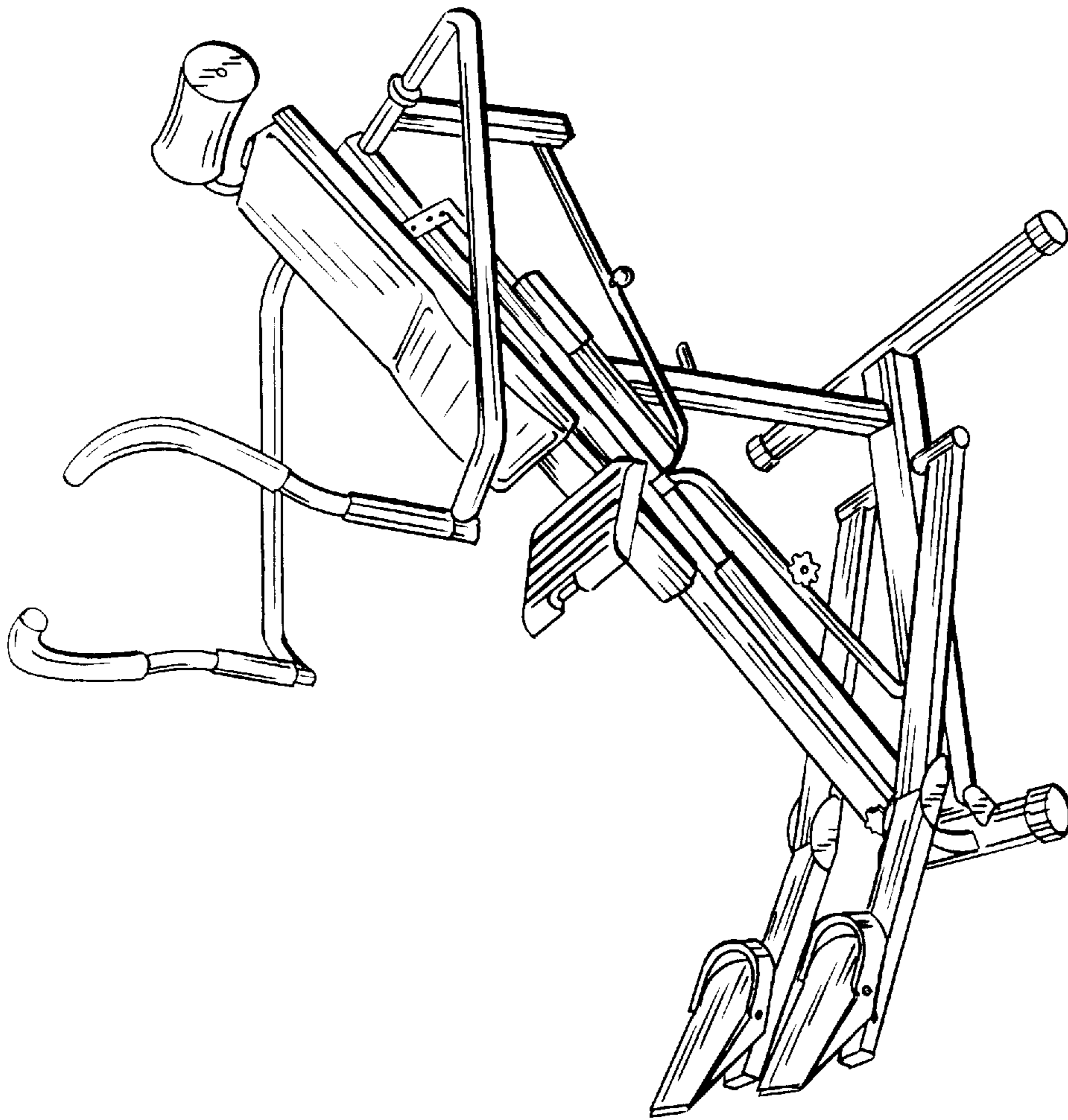


FIG. 1

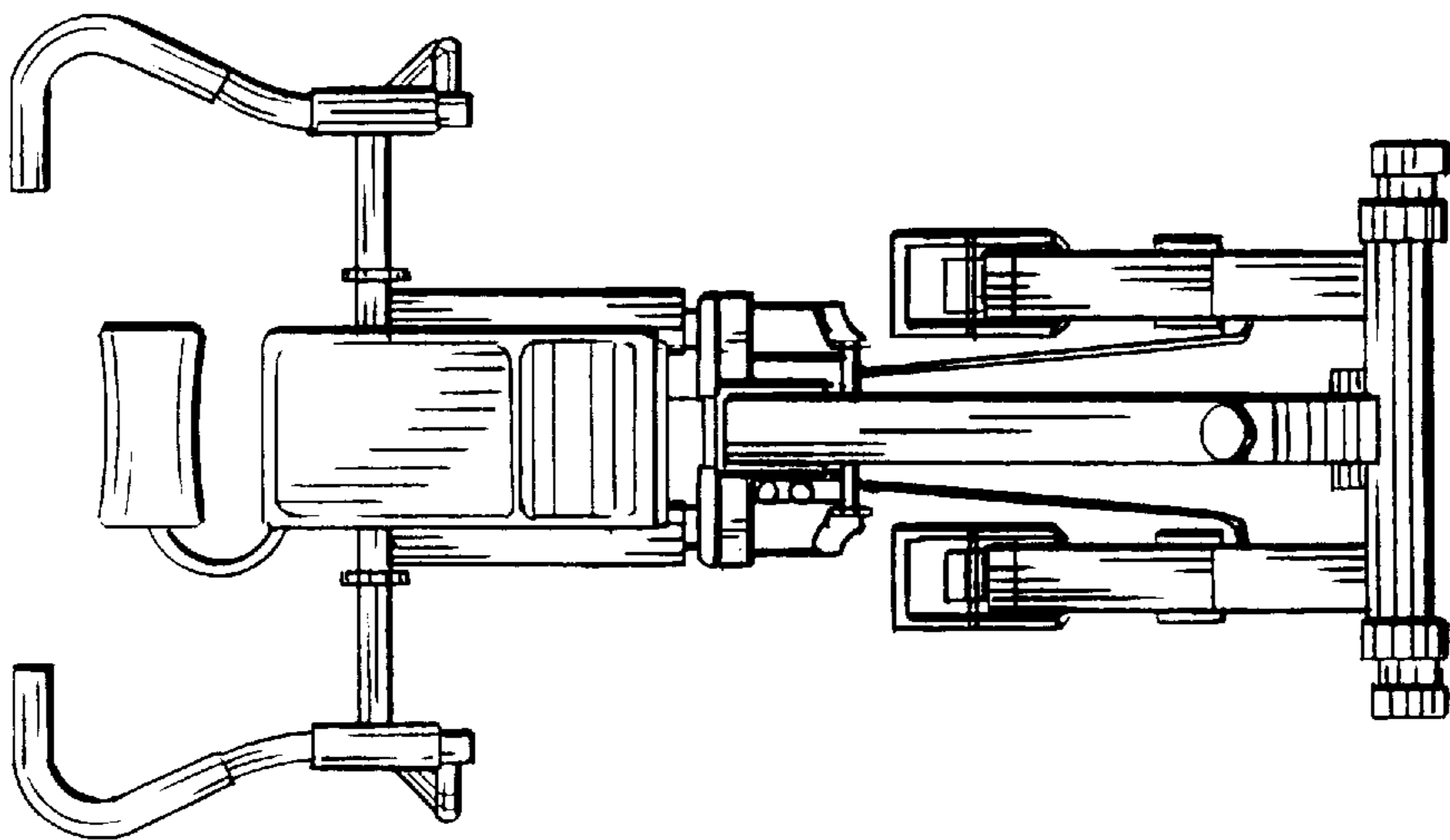


FIG. 2

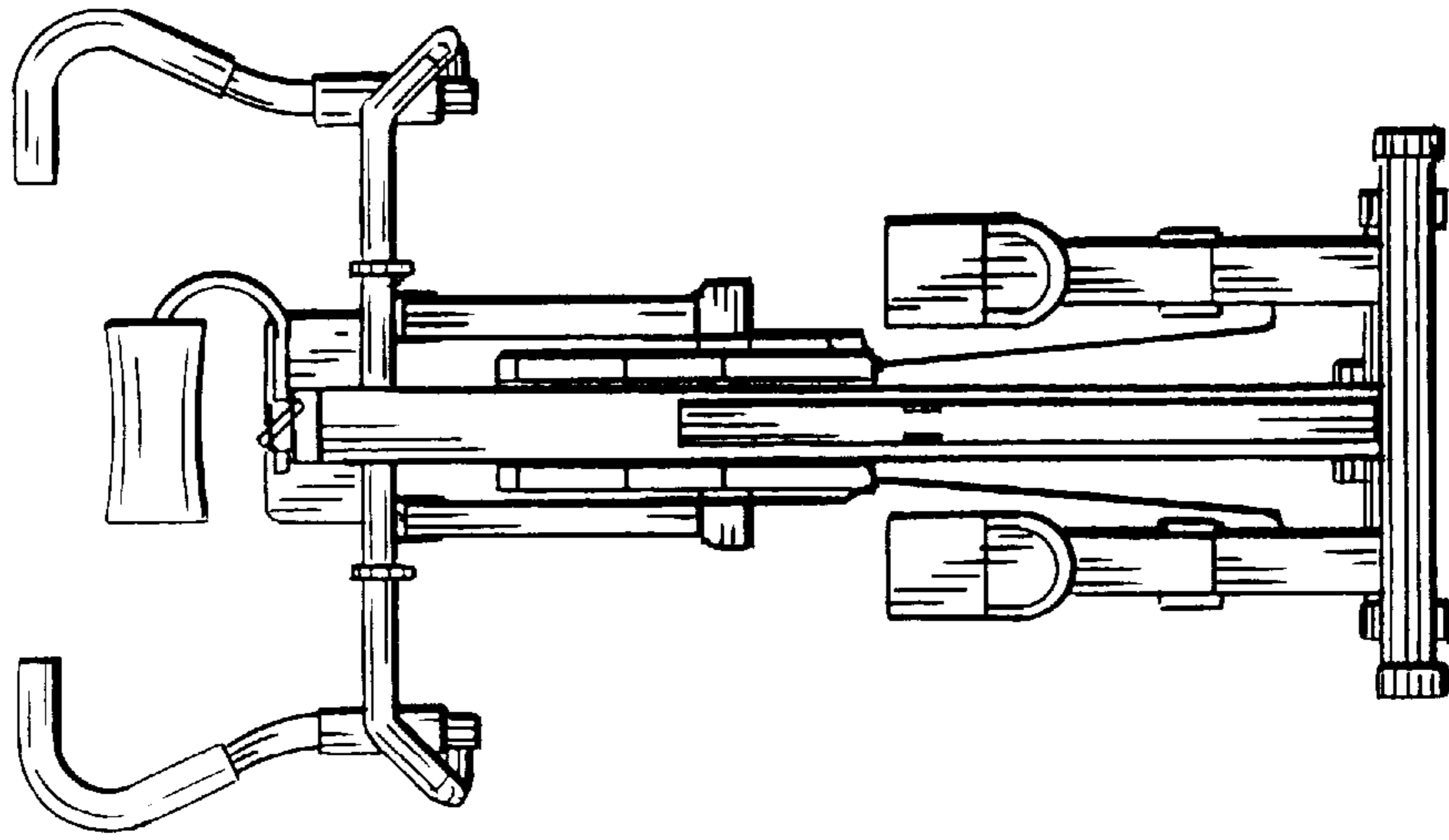


FIG. 3

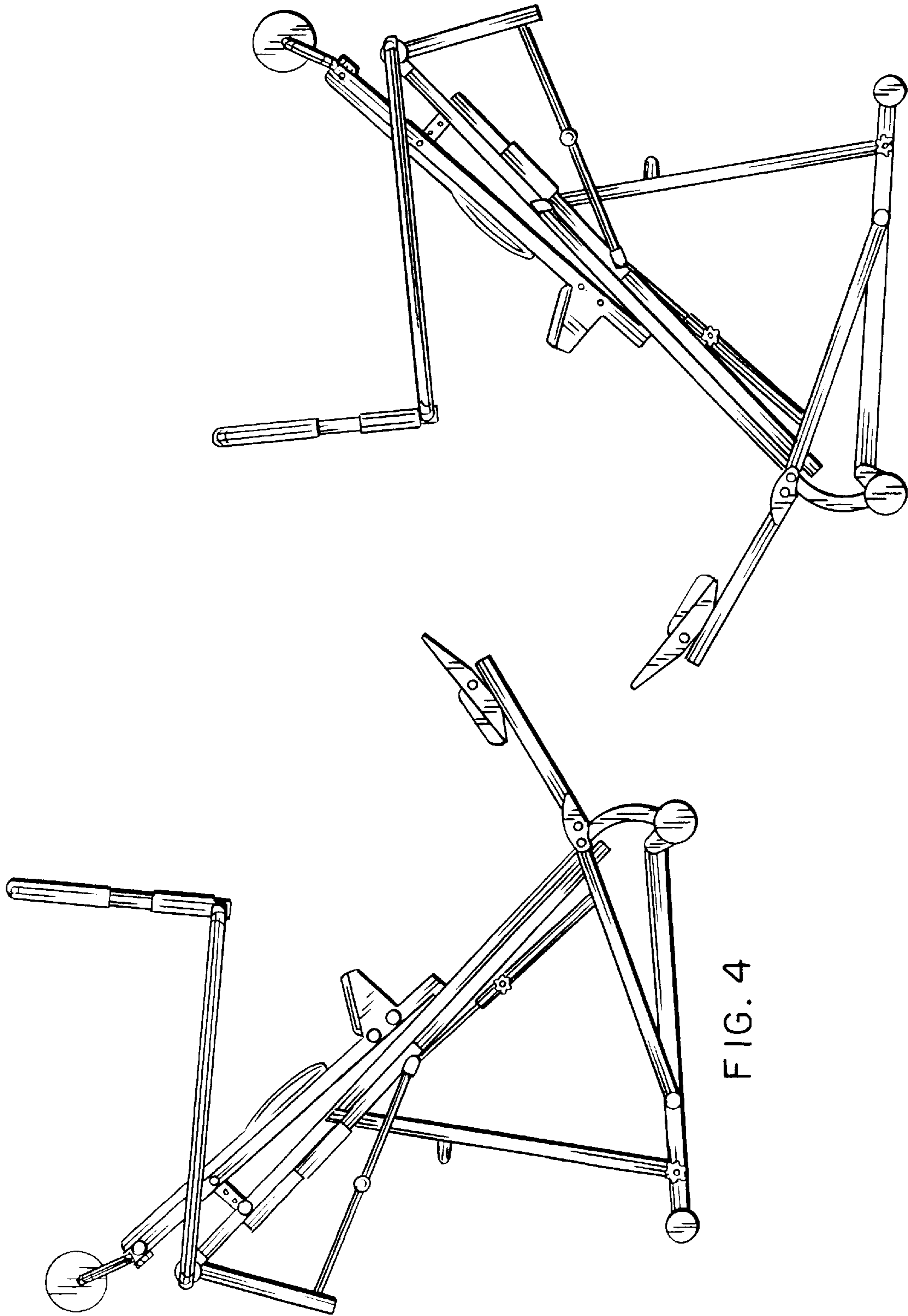


FIG. 5

FIG. 4

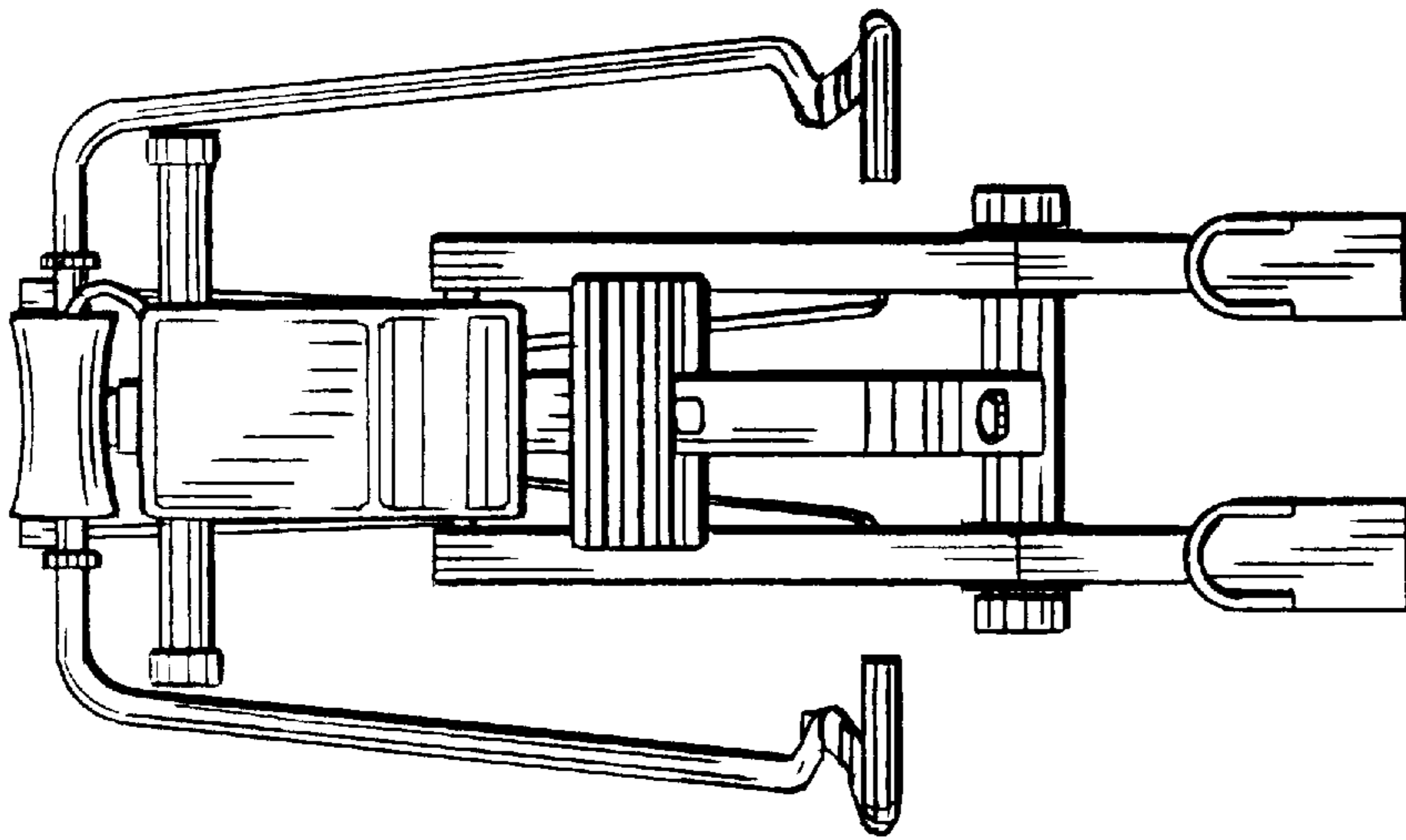


FIG. 6

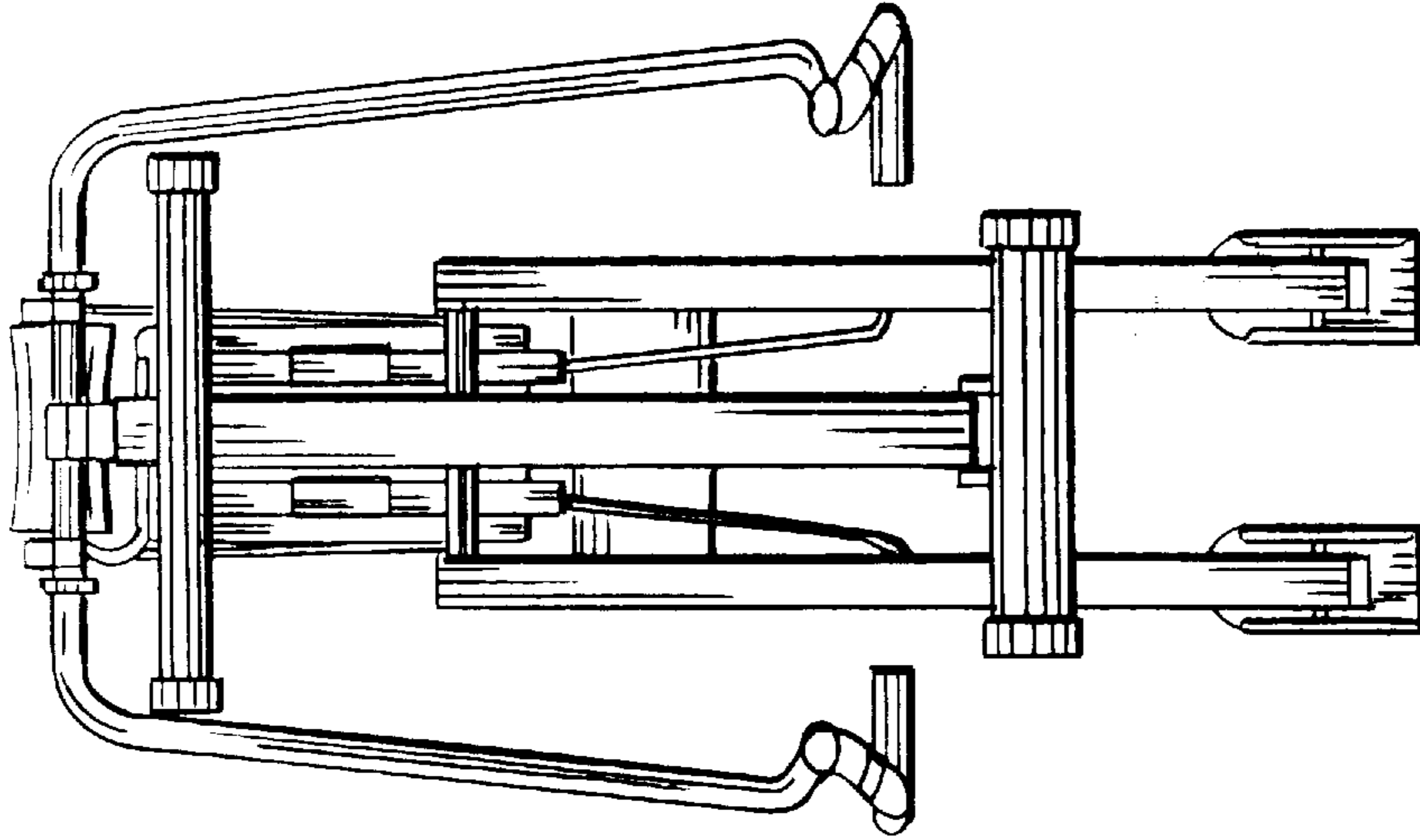


FIG. 7