



US00D404441S

# United States Patent [19] Tong

[11] **Patent Number: Des. 404,441**

[45] **Date of Patent: \*\*\*Jan. 19, 1999**

[54] **TOY FIGURE**

3,874,113	4/1975	Beck .....	446/378
3,946,517	3/1976	Goldfarb et al. ....	446/383
5,628,669	5/1997	Hesse .....	446/382

[75] Inventor: **Lim Tak Tong**, Kowloon, Hong Kong

[73] Assignee: **Silverway Industrial Company**,  
Kowloon, Hong Kong

*Primary Examiner*—Lucy Lieberman  
*Attorney, Agent, or Firm*—Alix, Yale & Ristas, LLP

[\*] Notice: The term of this patent shall not extend beyond the expiration date of Pat. No. Des. 399,893.

[57] **CLAIM**

The ornamental design for a toy figure, as shown and described.

[\*\*] Term: **14 Years**

**DESCRIPTION**

[21] Appl. No.: **78,613**

FIG. 1 is a perspective view of the toy figure of the invention;

[22] Filed: **Sep. 2, 1997**

FIG. 2 is a perspective view of the toy figure of FIG. 1 with legs in an alternative position;

[30] **Foreign Application Priority Data**

Apr. 17, 1997 [GB] United Kingdom ..... 2064982

FIG. 3 is a perspective view of the toy figure of FIG. 1 with a fireman helmet in phantom;

[51] **LOC (6) Cl.** ..... **21-01**

FIG. 4 is a front elevation view of the toy figure of FIG. 1;

[52] **U.S. Cl.** ..... **D21/621; D21/585**

FIG. 5 is a rear elevation view of the toy figure of FIG. 1;

[58] **Field of Search** ..... D21/166, 177,  
D21/171, 178; 446/268, 376-384; D11/160

FIG. 6 is a side view from the left of the toy figure of FIG. 1;

[56] **References Cited**

**U.S. PATENT DOCUMENTS**

D. 246,195	10/1977	Goldfarb et al. ....	D21/171
D. 278,735	5/1985	Nielsen .....	D21/166
D. 352,078	11/1994	Bertrand .....	D21/166
D. 353,418	12/1994	Ryaa et al. ....	D21/166 X

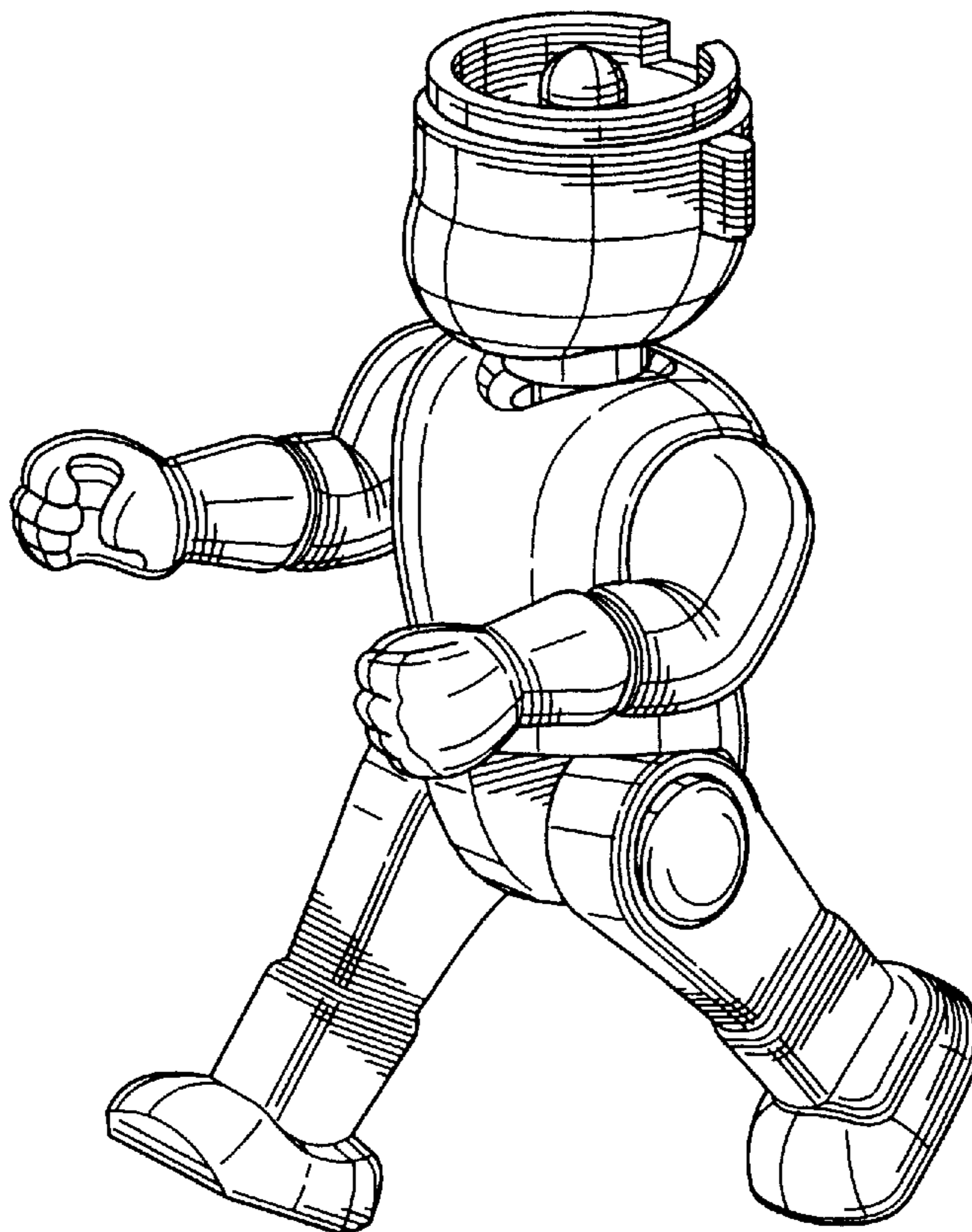
FIG. 7 is a side view from the right of the toy figure of FIG. 1;

FIG. 8 is a top view of the toy figure of FIG. 1; and,

FIG. 9 is a bottom view of the toy figure of FIG. 1.

The broken lines showing a helmet in FIG. 3 are for illustrative purposes only and do not form part of the claimed design.

**1 Claim, 6 Drawing Sheets**



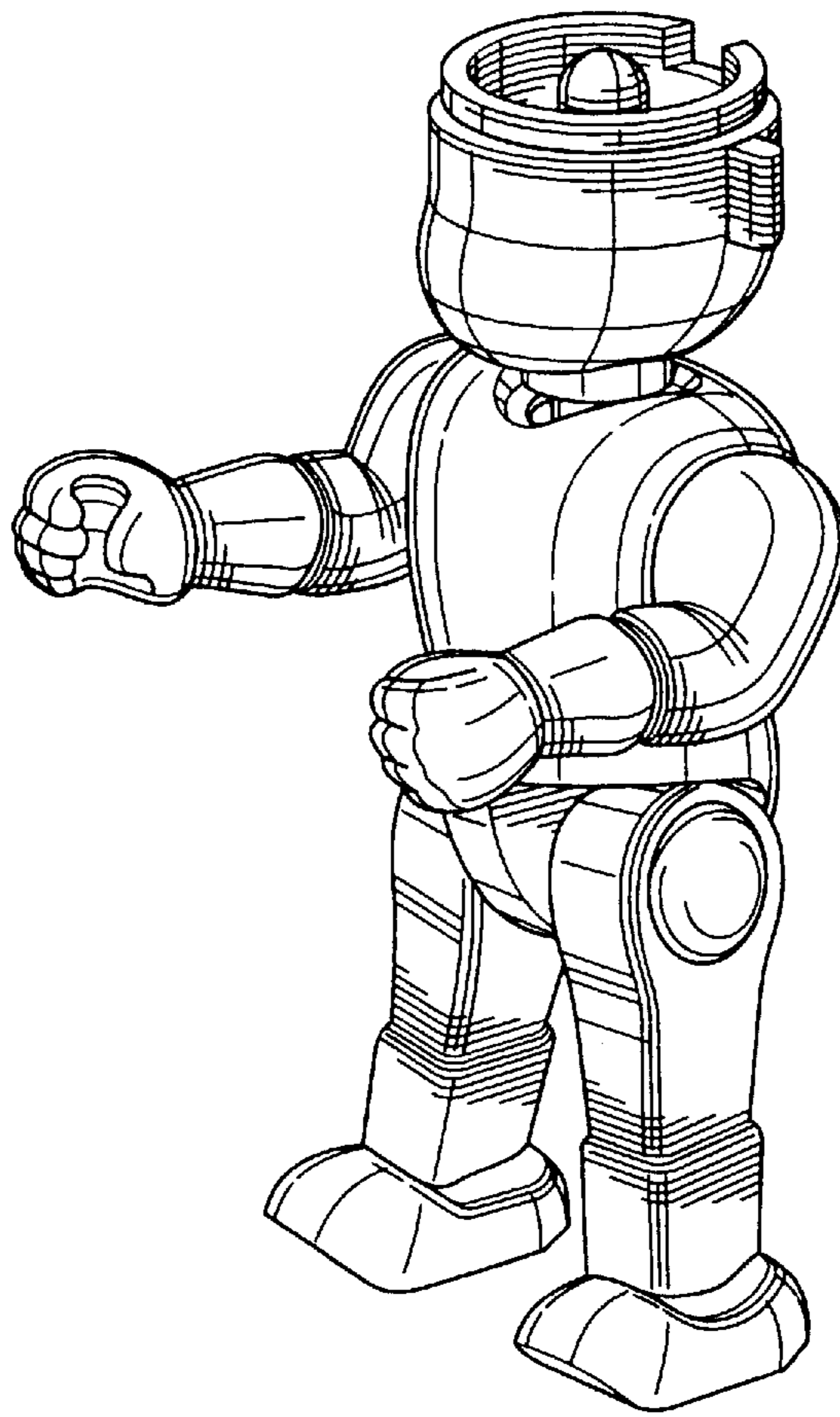


FIG. 1

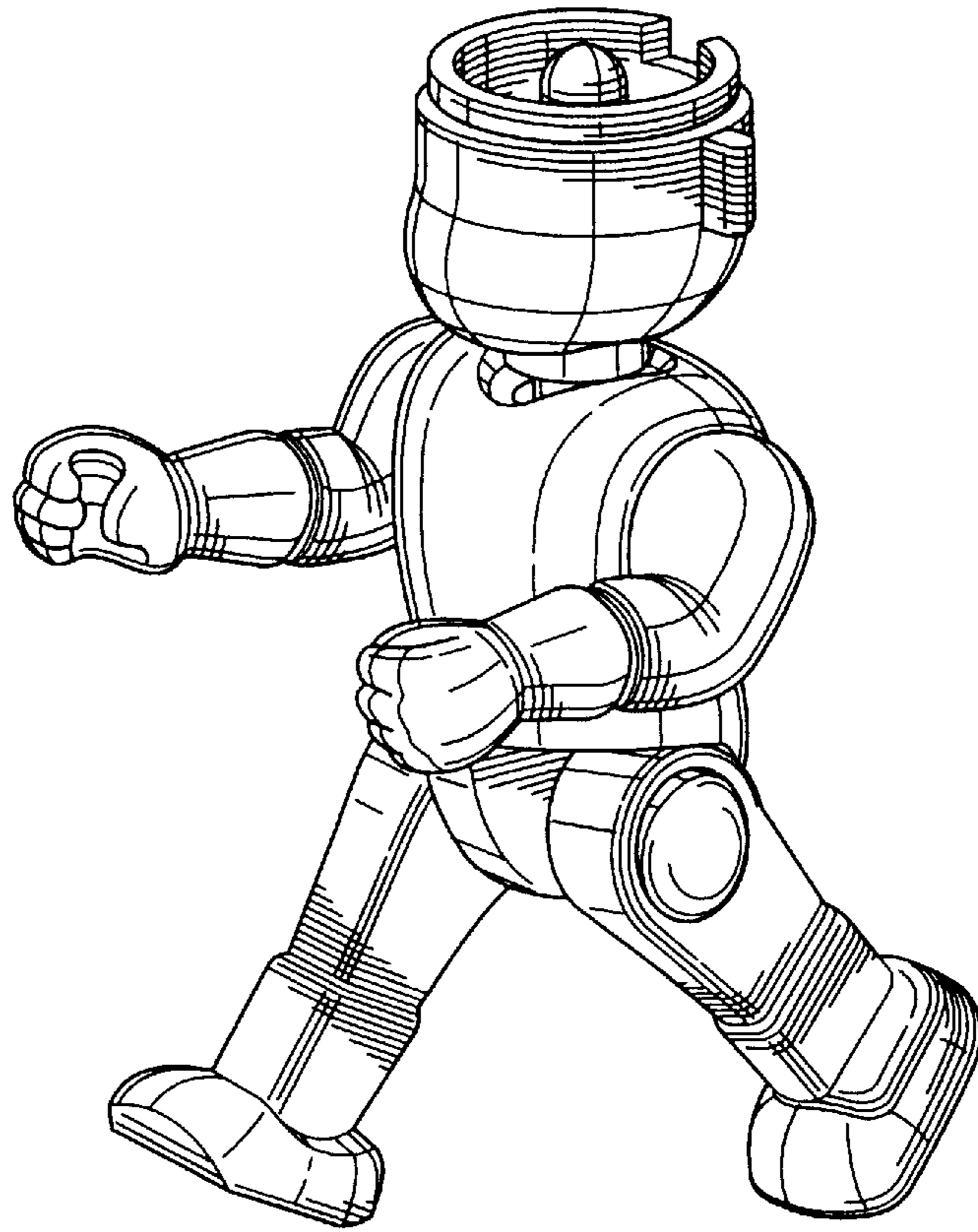


FIG. 2

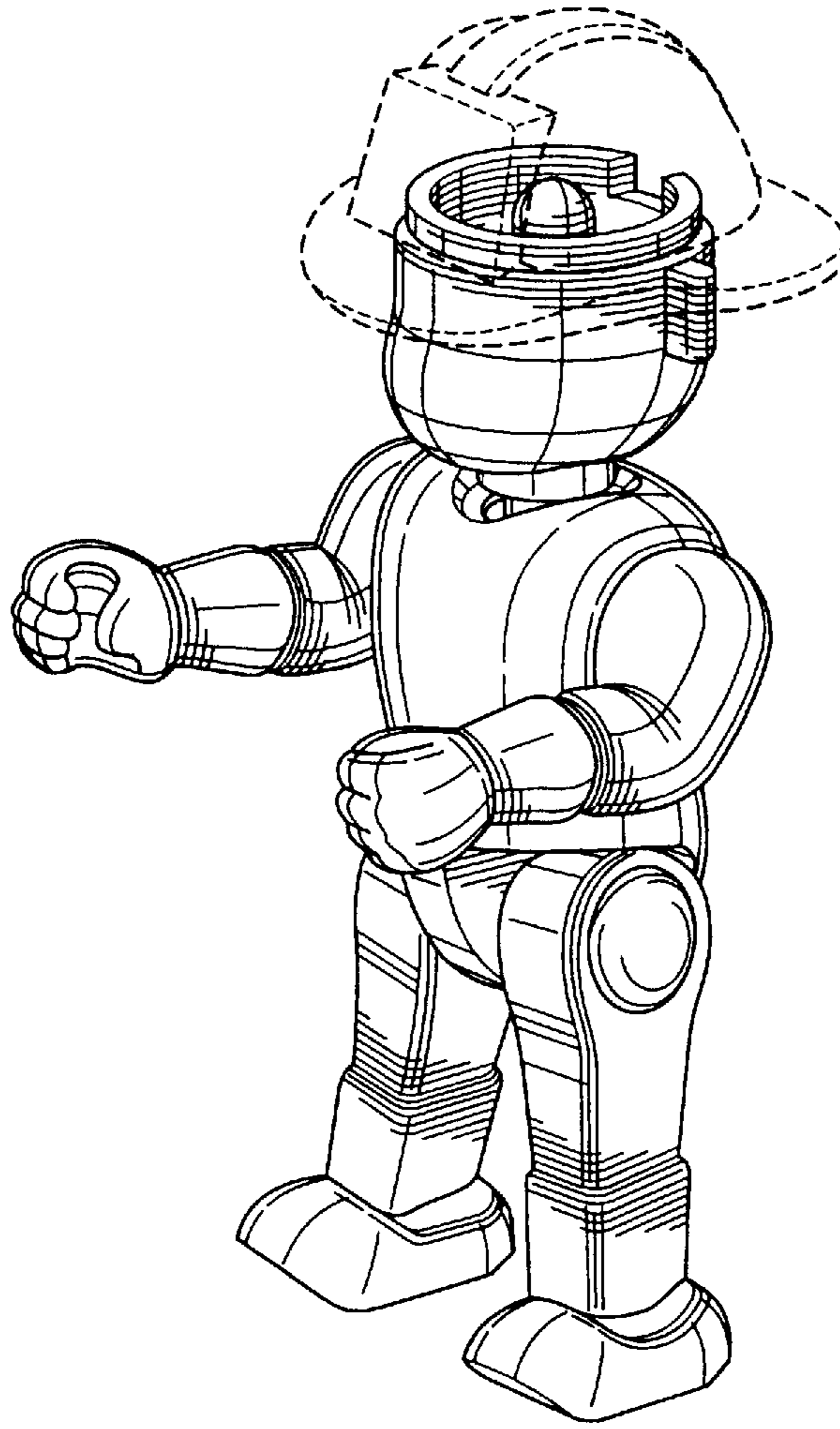


FIG. 3

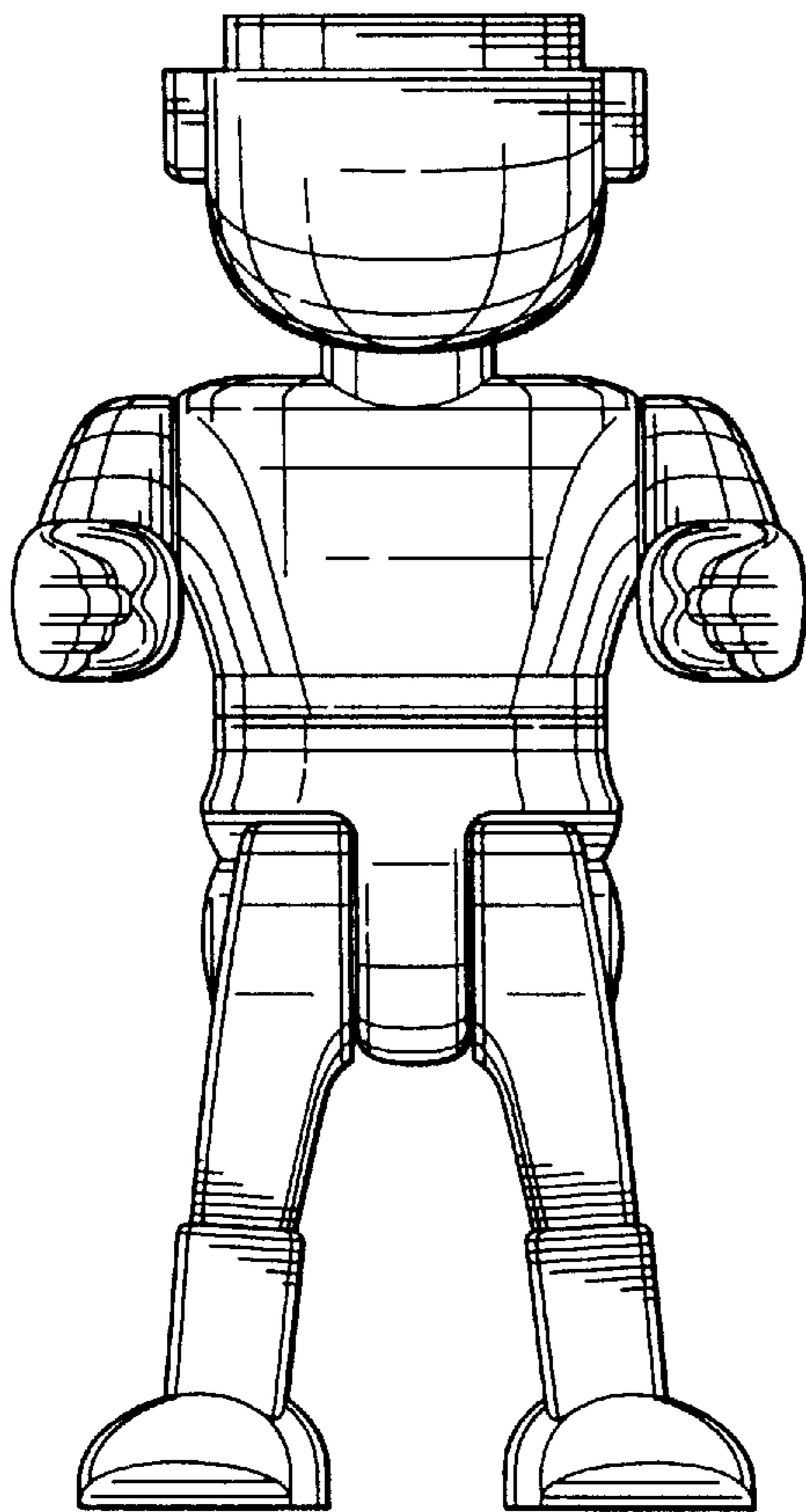


FIG. 4

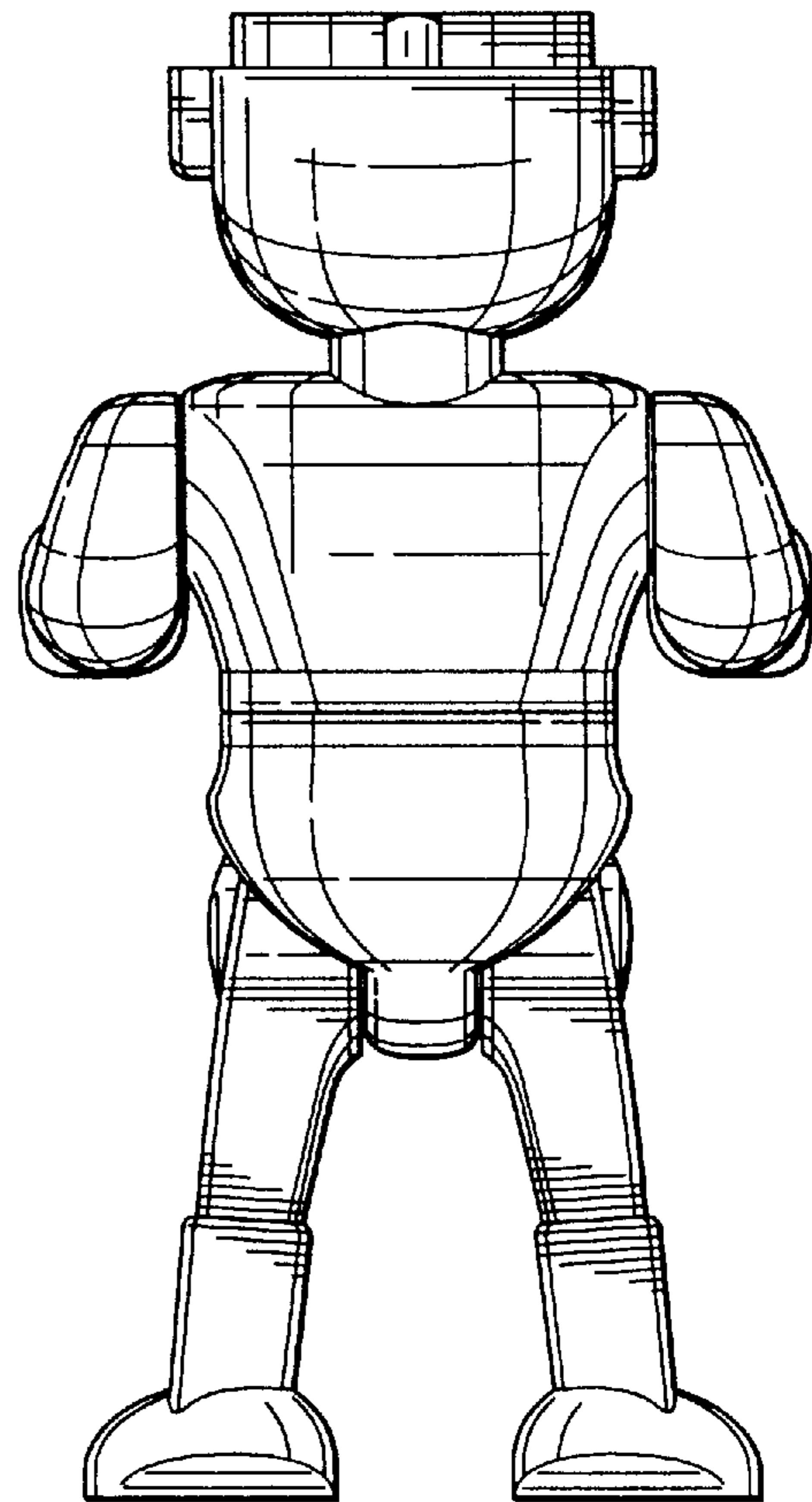


FIG. 5



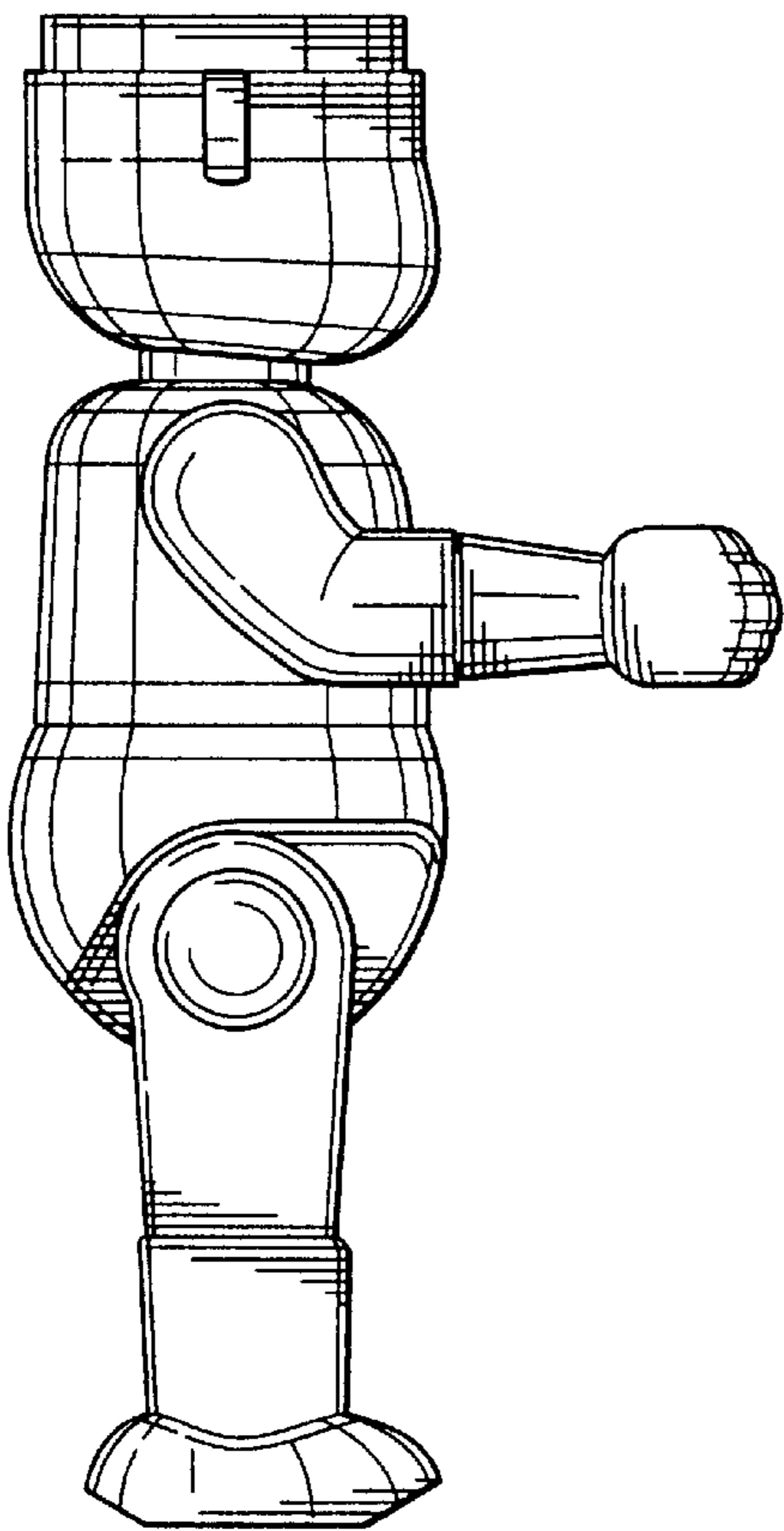


FIG. 6

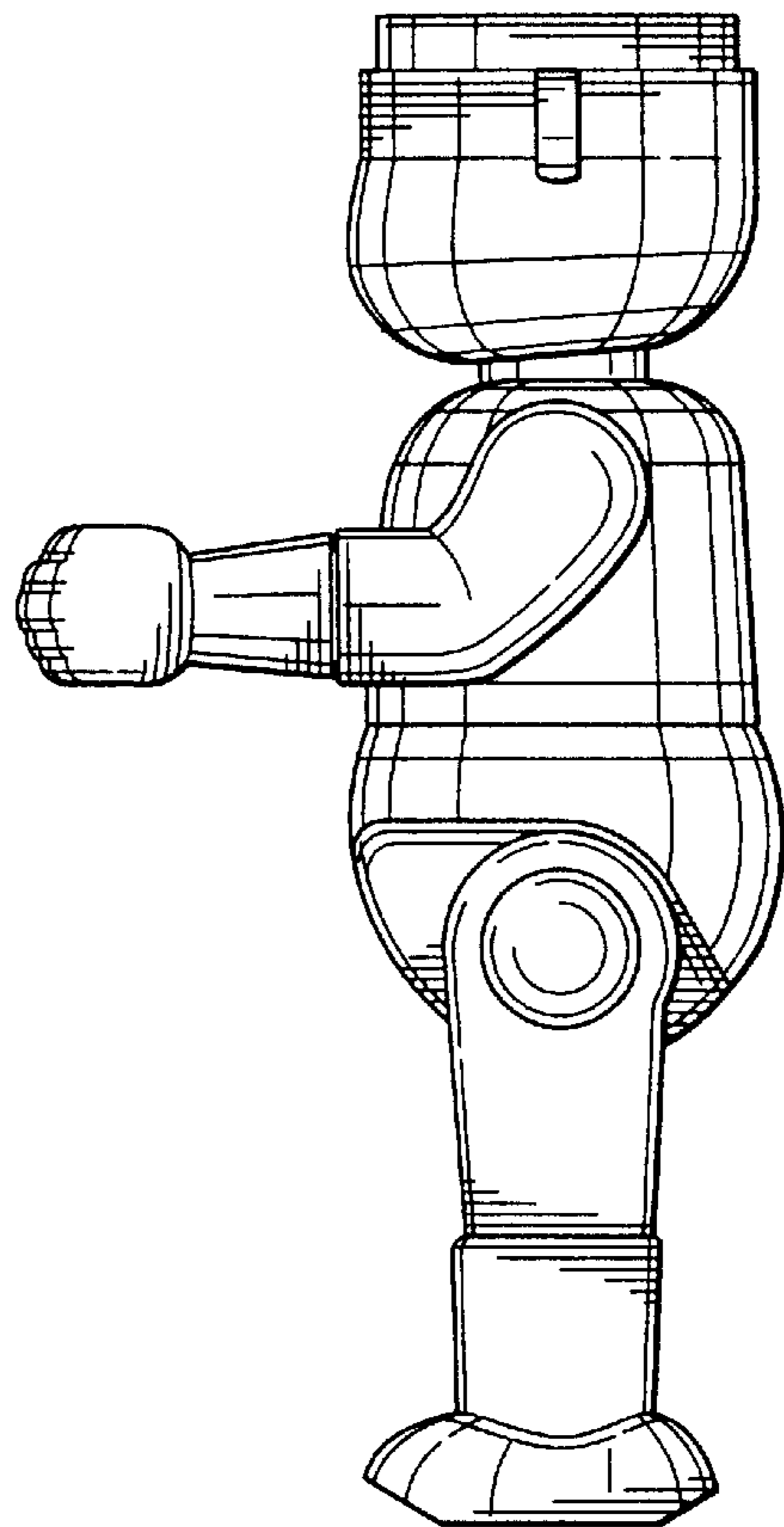


FIG. 7

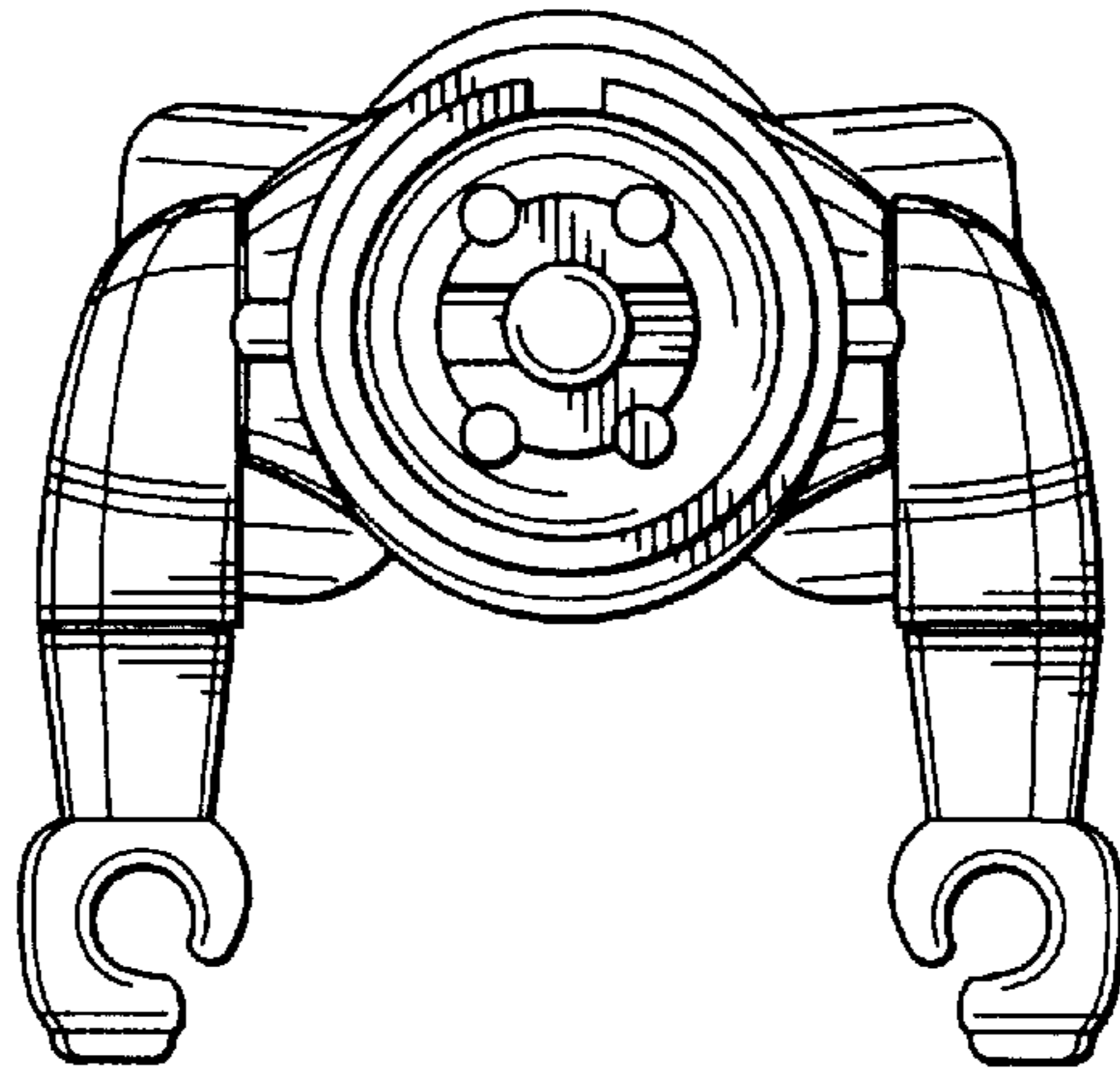


FIG. 8

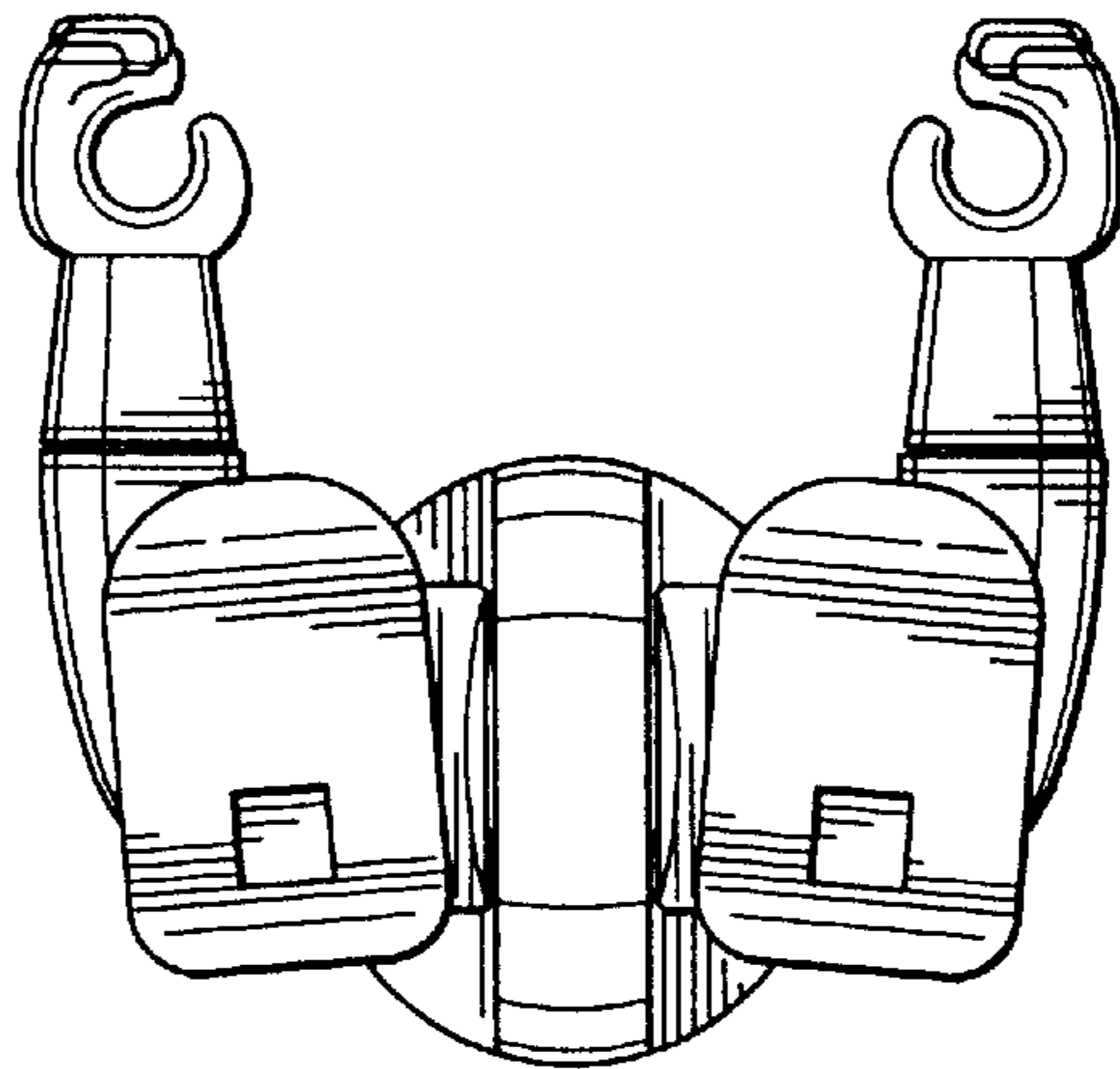


FIG. 9