

US00D404437S

# United States Patent [19] Lam

[11] **Patent Number: Des. 404,437**

[45] **Date of Patent: \*\*Jan. 19, 1999**

[54] **TOY SPINNING TOP**

[75] **Inventor: Hak Tang Samy Lam, Kowloon, Hong Kong**

[73] **Assignee: The Plasticsam Limited, Tokwawan, Hong Kong**

[\*\*] **Term: 14 Years**

[21] **Appl. No.: 83,350**

[22] **Filed: Feb. 6, 1998**

[51] **LOC (6) Cl. .... 21-01**

[52] **U.S. Cl. .... D21/460; D21/622**

[58] **Field of Search .... D21/460, 622; 446/233, 234, 235, 256, 264, 265**

[56] **References Cited**

**U.S. PATENT DOCUMENTS**

D. 68,259	9/1925	Jampel	.....	D21/233
D. 68,811	11/1925	Jampel	.....	D21/233
D. 266,175	9/1982	Zachar	.....	D21/622

D. 316,122	4/1991	Watford	.....	D21/233
D. 377,376	1/1997	Castillo	.....	D21/233
2,736,132	2/1956	Murray	.....	446/234
2,747,326	5/1956	Doyle	.....	446/235
5,032,101	7/1991	Hartman	.....	446/235 X

*Primary Examiner*—Dominic Simone  
*Attorney, Agent, or Firm*—Salter & Michaelson

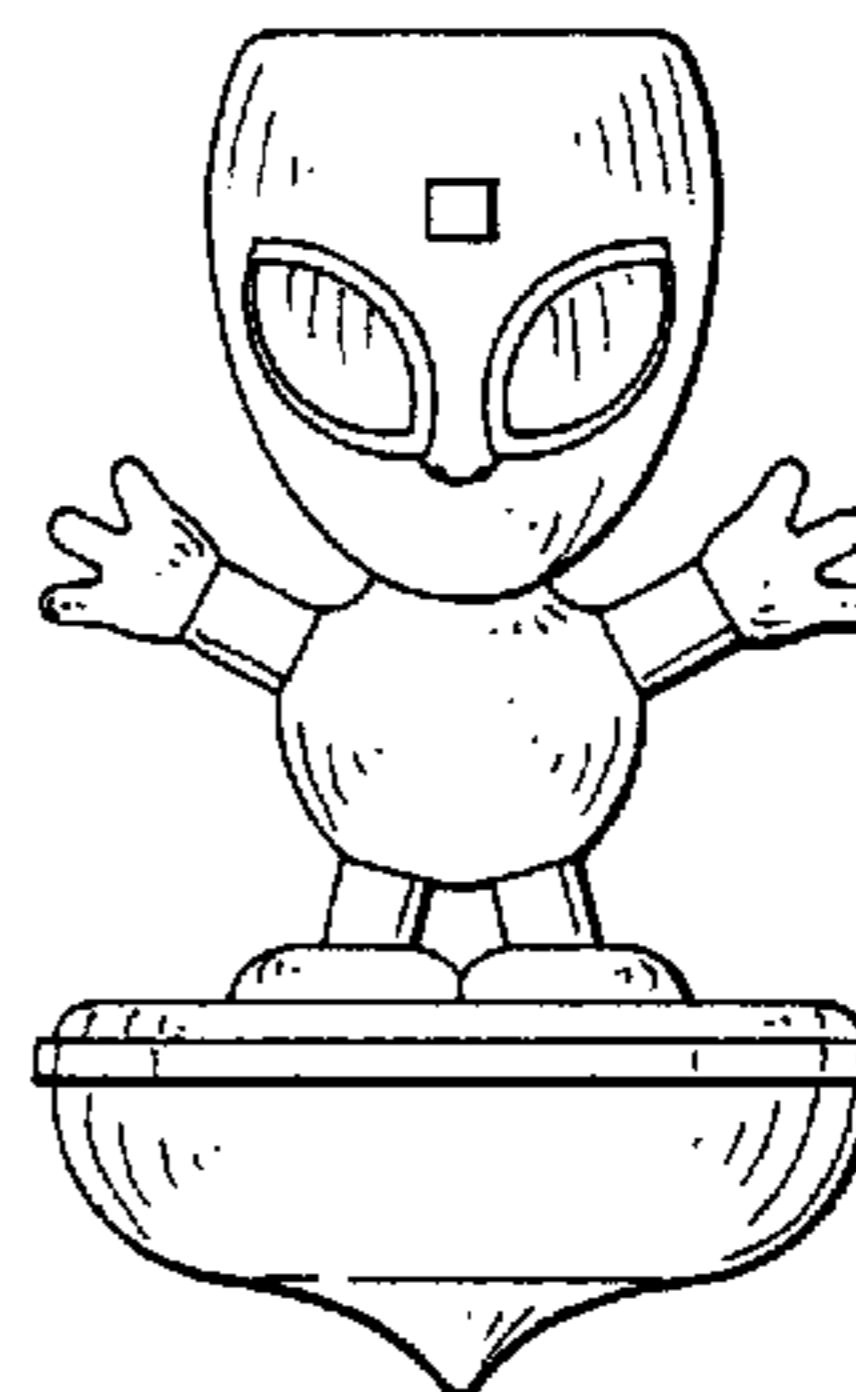
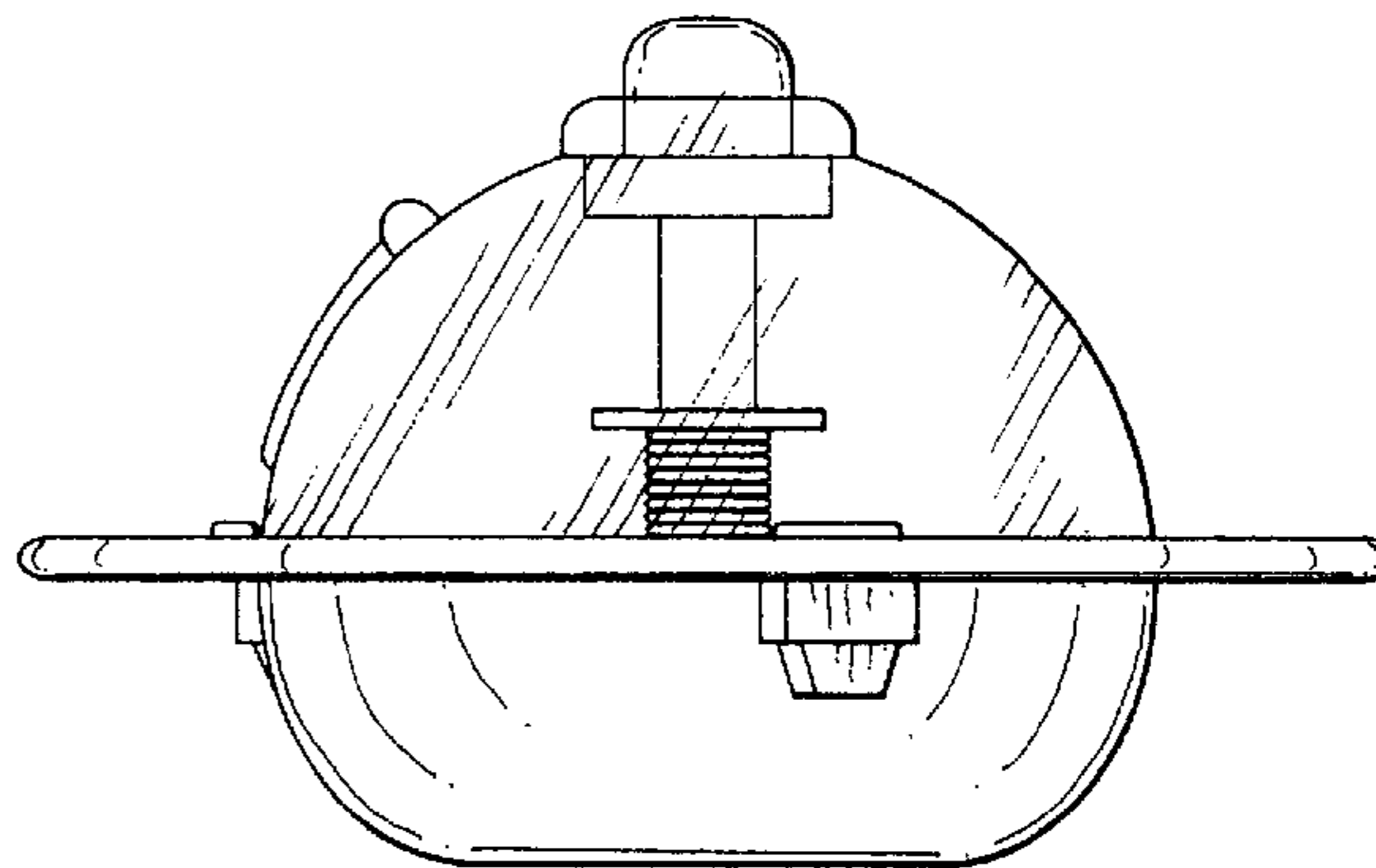
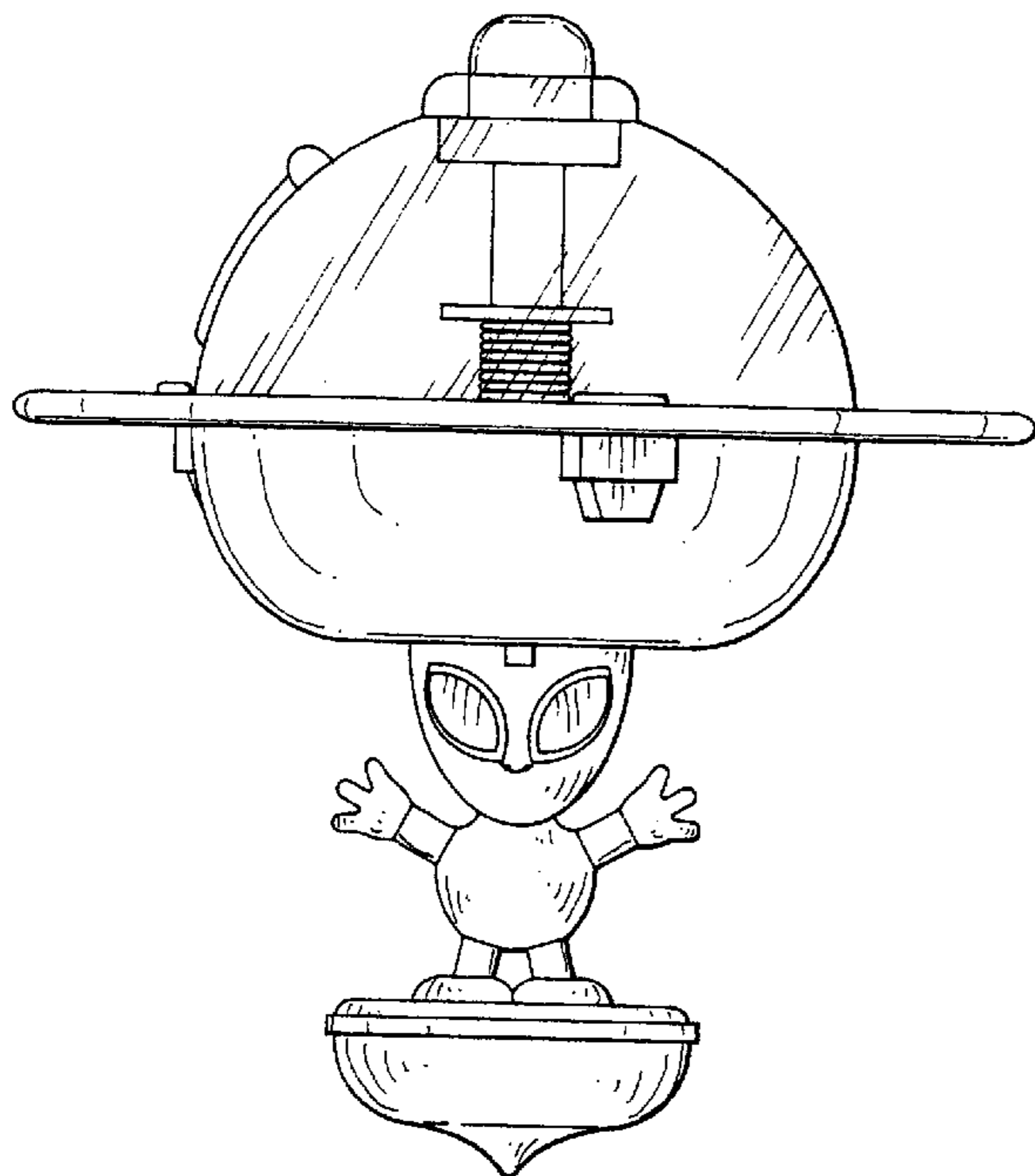
[57] **CLAIM**

The ornamental design for a toy spinning top, as shown.

**DESCRIPTION**

FIG. 1 is a front elevational view of a design for a toy spinning top showing my new design; FIG. 2 is a rear elevational view thereof; FIG. 3 is a left side elevational view thereof; FIG. 4 is a right side elevational view thereof; FIG. 5 is a top plan view thereof; FIG. 6 is a bottom plan view thereof; and, FIG. 7 is a front elevational view of the toy spinning top in a disassembled relation.

**1 Claim, 4 Drawing Sheets**



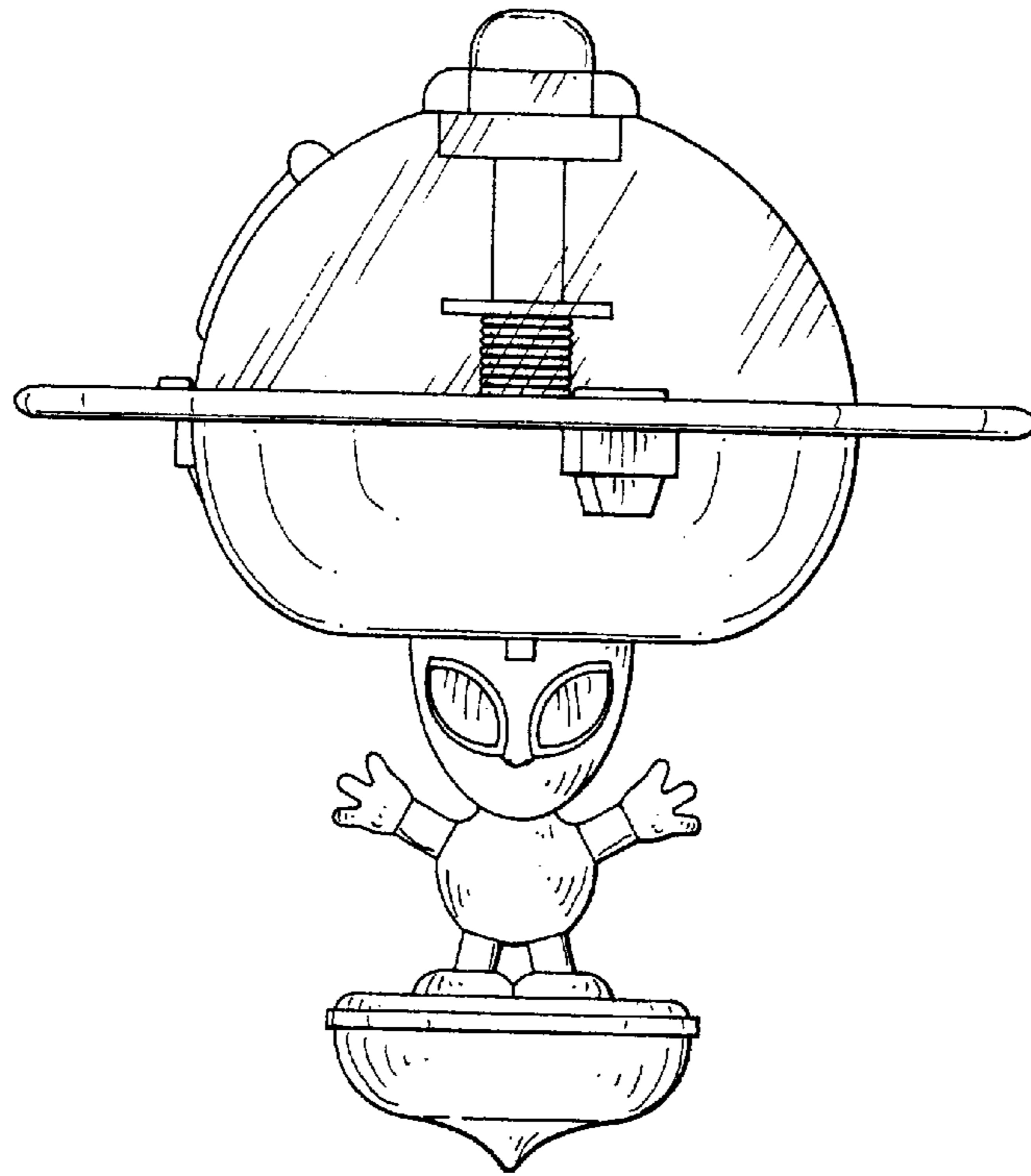


FIG. 1

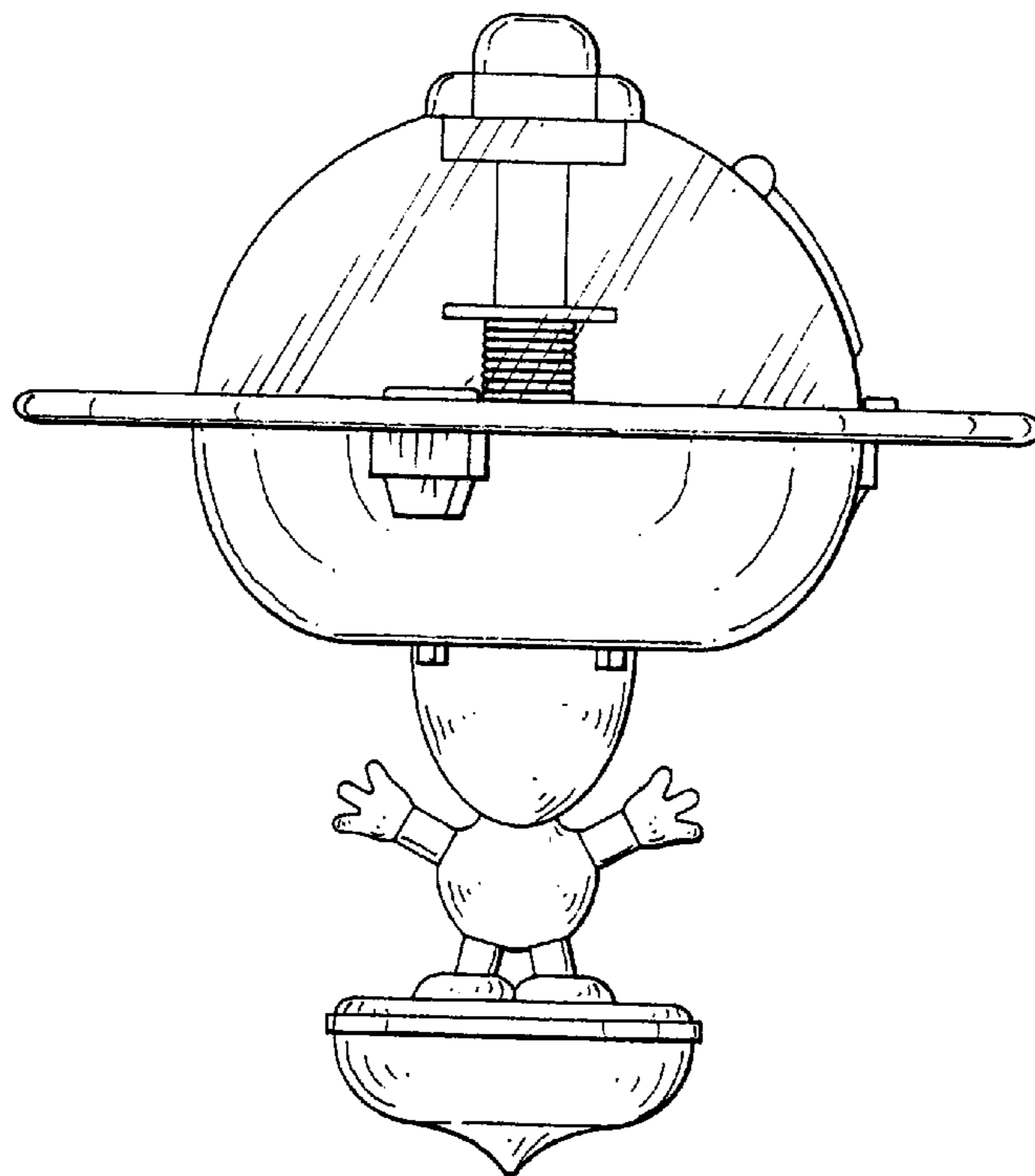


FIG. 2

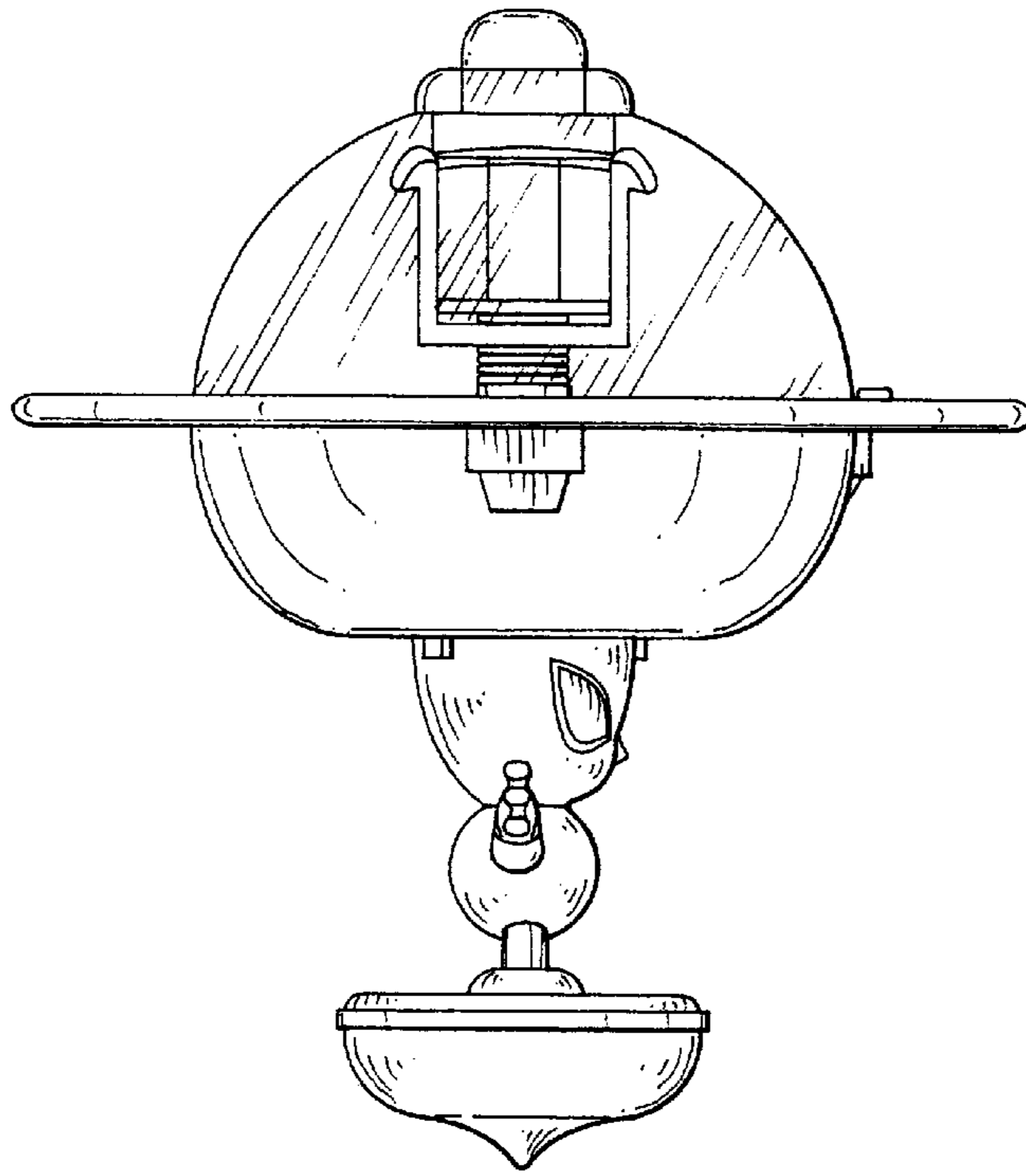


FIG. 3

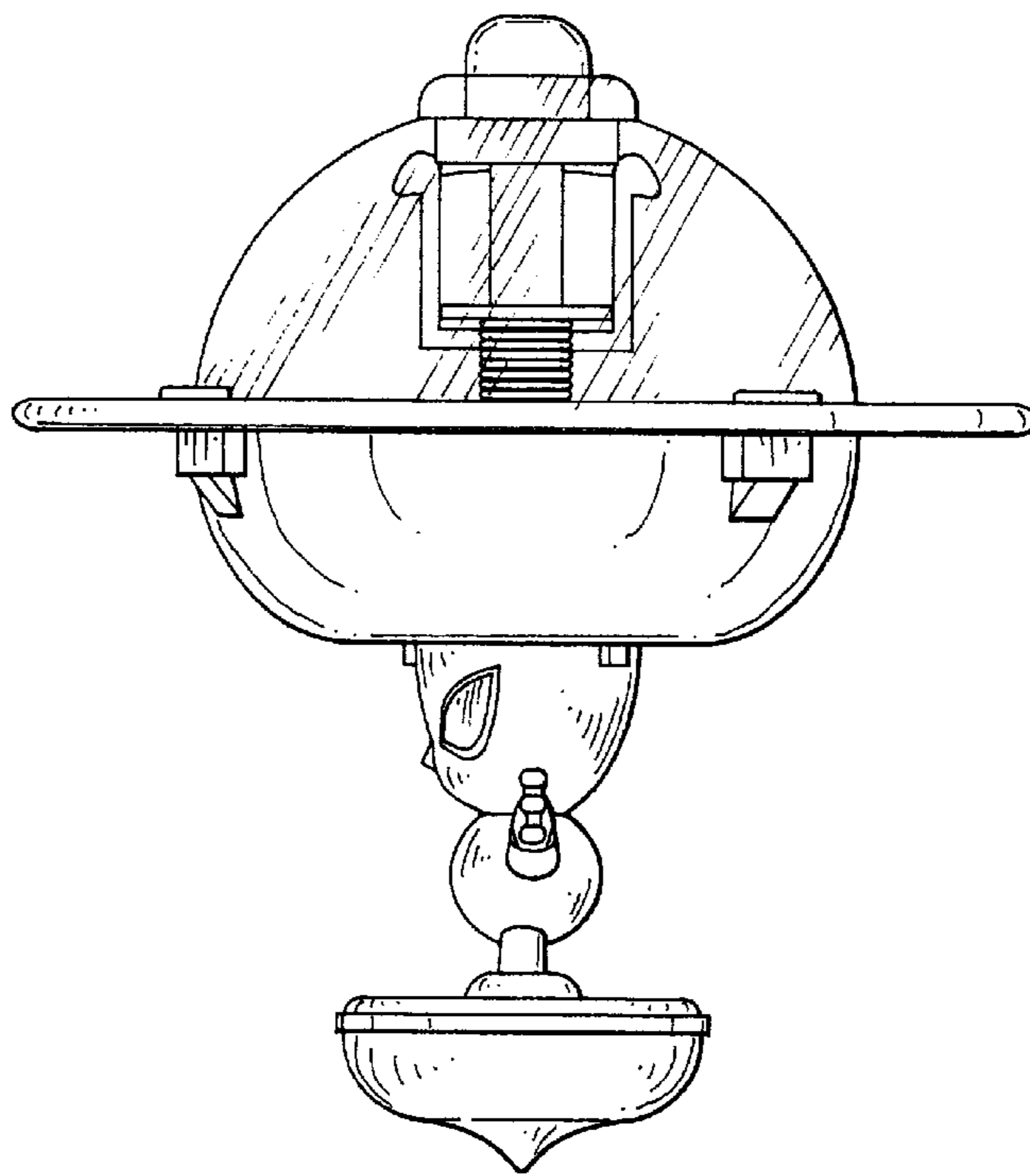


FIG. 4

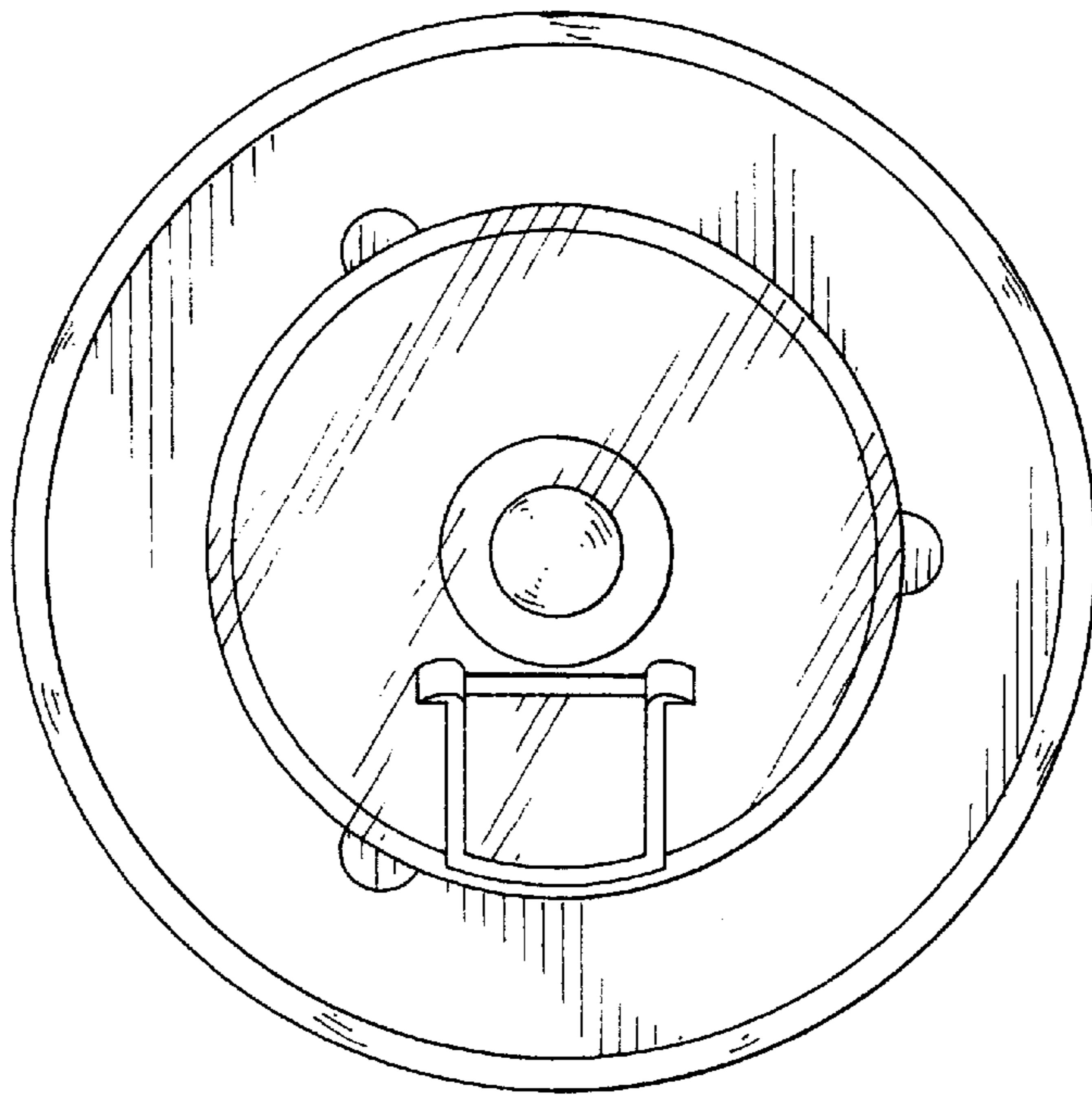


FIG. 5

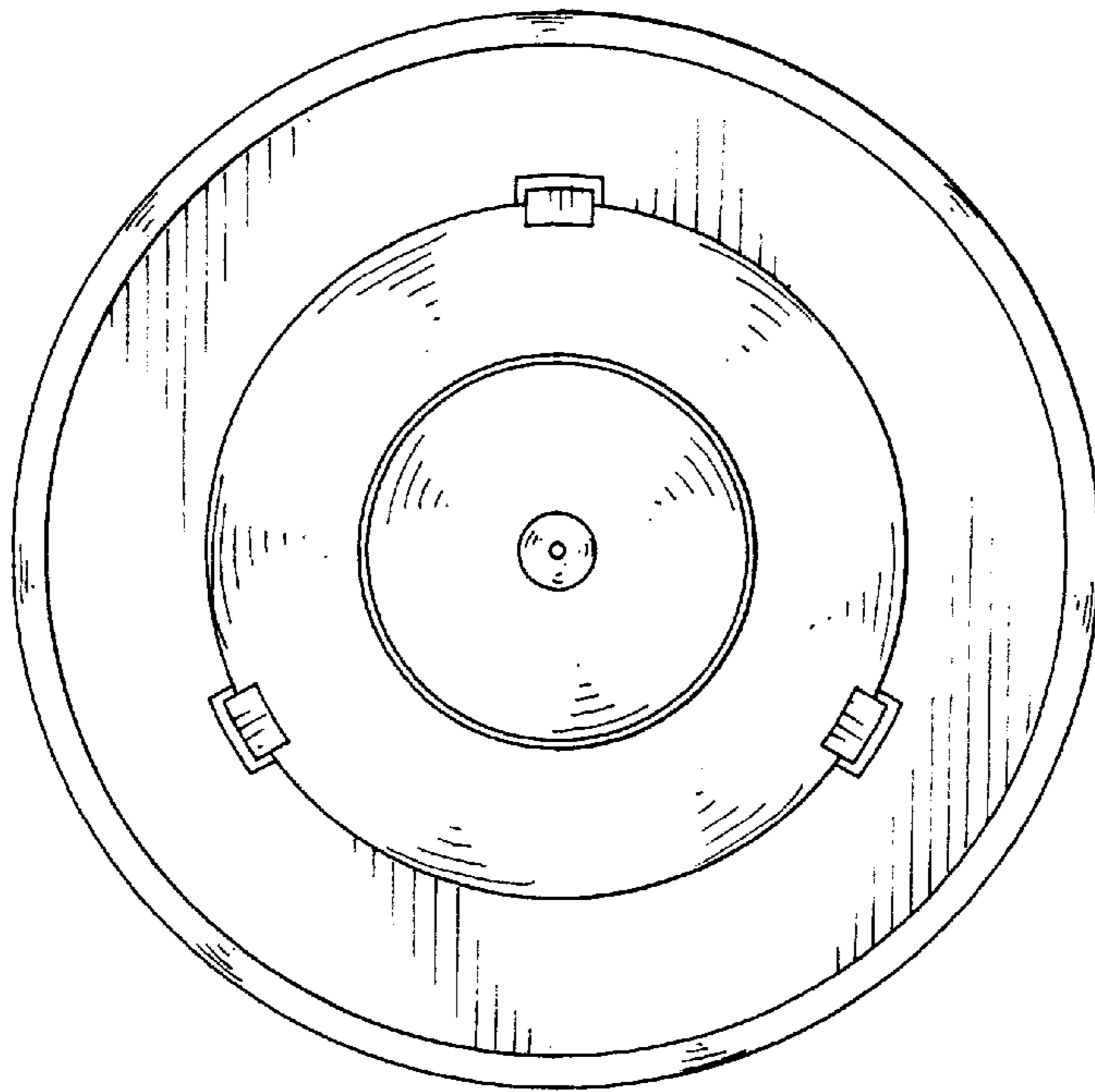


FIG. 6

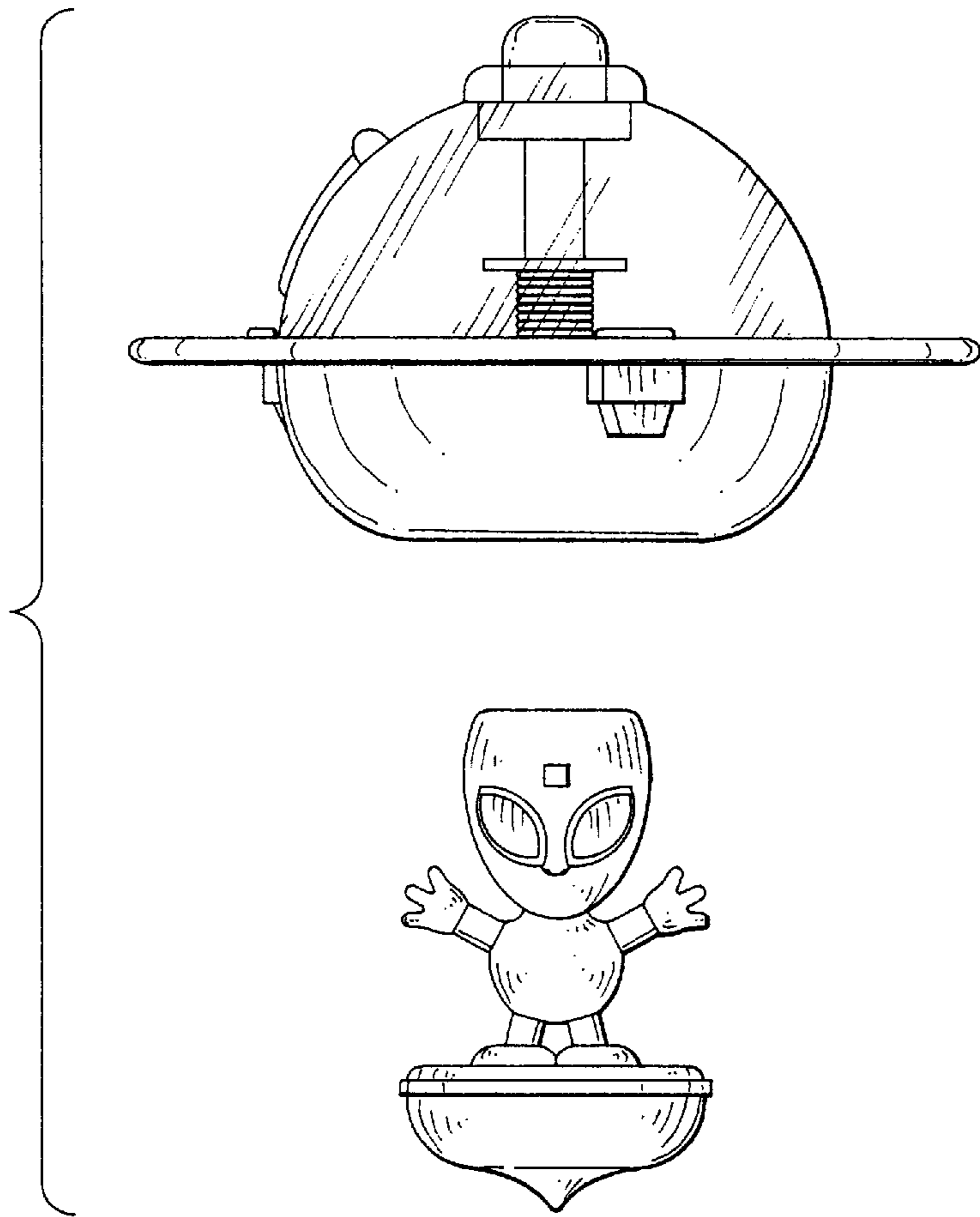


FIG. 7