



US00D404436S

United States Patent [19]

McGahn et al.

[11] Patent Number: **Des. 404,436**

[45] Date of Patent: ****Jan. 19, 1999**

[54] **GAMING MACHINE TOP BOX WITH VIDEO DISPLAY**

[75] Inventors: **Steven P. McGahn; Daniel J. Waller; Joseph R. Hedrick; Robert A. Luciano, Jr.; Jean Pierre Legras; Chauncey W. Griswold**, all of Reno, Nev.

[73] Assignee: **International Game Technology**, Reno, Nev.

[**] Term: **14 Years**

[21] Appl. No.: **75,209**

[22] Filed: **Aug. 8, 1997**

[51] **LOC (6) Cl.** **21-03**

[52] **U.S. Cl.** **D21/370**

[58] **Field of Search** **D21/37, 38, 41; 273/138.1, 139, 142 R, 143 R, 145 A**

[56] **References Cited**

U.S. PATENT DOCUMENTS

D. 379,202 5/1997 Takemoto et al. D21/38

FOREIGN PATENT DOCUMENTS

M 94 07 663 3/1995 Germany .

M 94 09 371 3/1995 Germany .

Primary Examiner—Sandra L. Morris

Attorney, Agent, or Firm—Beyer & Weaver, LLP

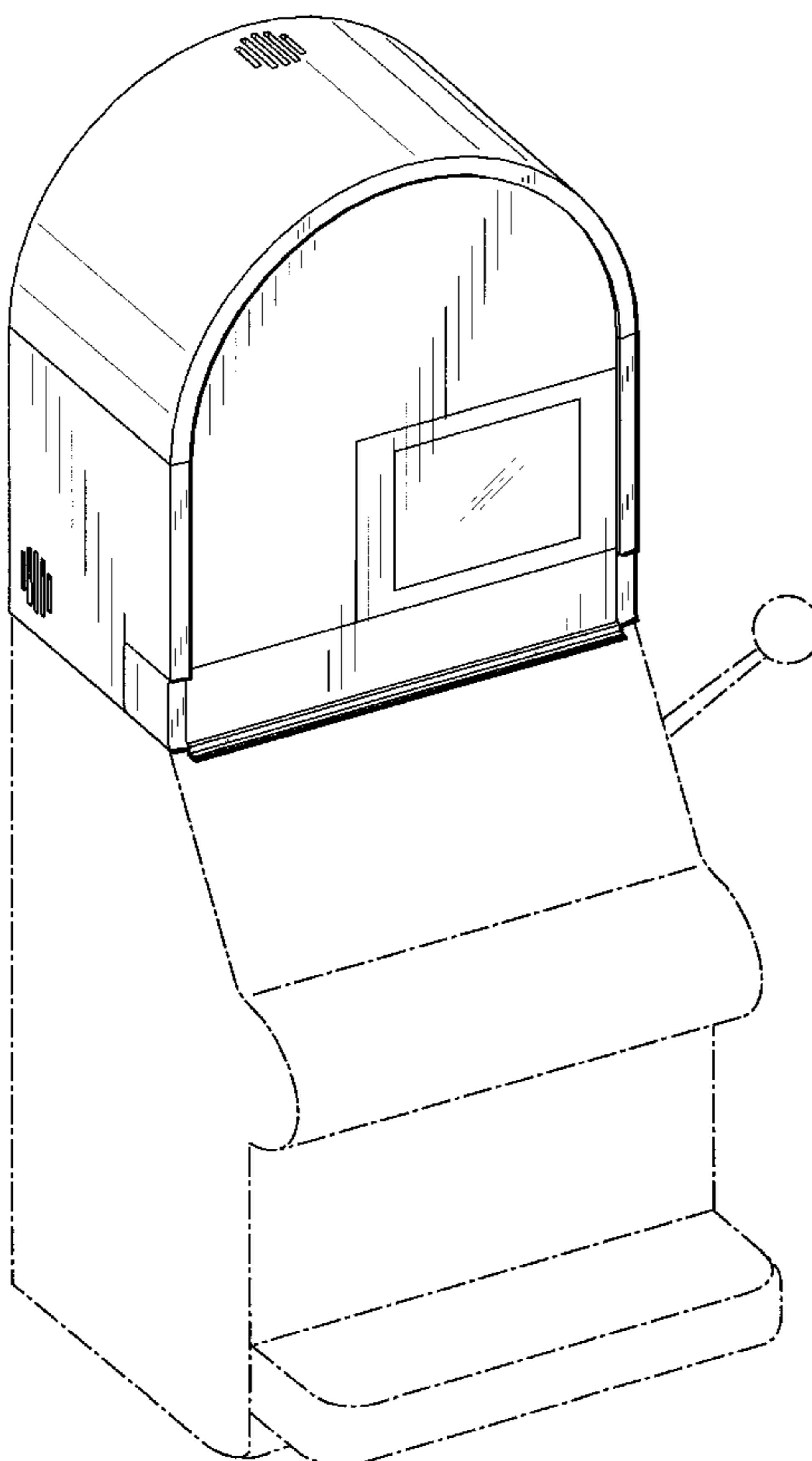
[57] **CLAIM**

We claim the ornamental design for a gaming machine top box with video display, as shown and described.

DESCRIPTION

FIG. 1 is a perspective view of a gaming machine top box with video display, showing our new design, wherein the broken line showing of a slot machine is for illustrative purposes only, and forms no part of the claimed design; FIG. 2 is an enlarged perspective view thereof; FIG. 3 is an enlarged front elevational view thereof; FIG. 4 is an enlarged top plan view thereof; FIG. 5 is an enlarged right side elevational view thereof, the left side being a mirror image; FIG. 6 is an enlarged perspective view of a second embodiment thereof, the other views being mirror images of those shown in FIGS. 3–5; FIG. 7 is an enlarged perspective view of a third embodiment thereof; FIG. 8 is an enlarged front elevational view of FIG. 7; FIG. 9 is an enlarged top plan view of FIG. 7; FIG. 10 is an enlarged right side elevational view of FIG. 7, the other side being identical; and, FIG. 11 is an enlarged perspective view of a fourth embodiment thereof, the other views being mirror images of those shown in FIGS. 8–10.

1 Claim, 9 Drawing Sheets



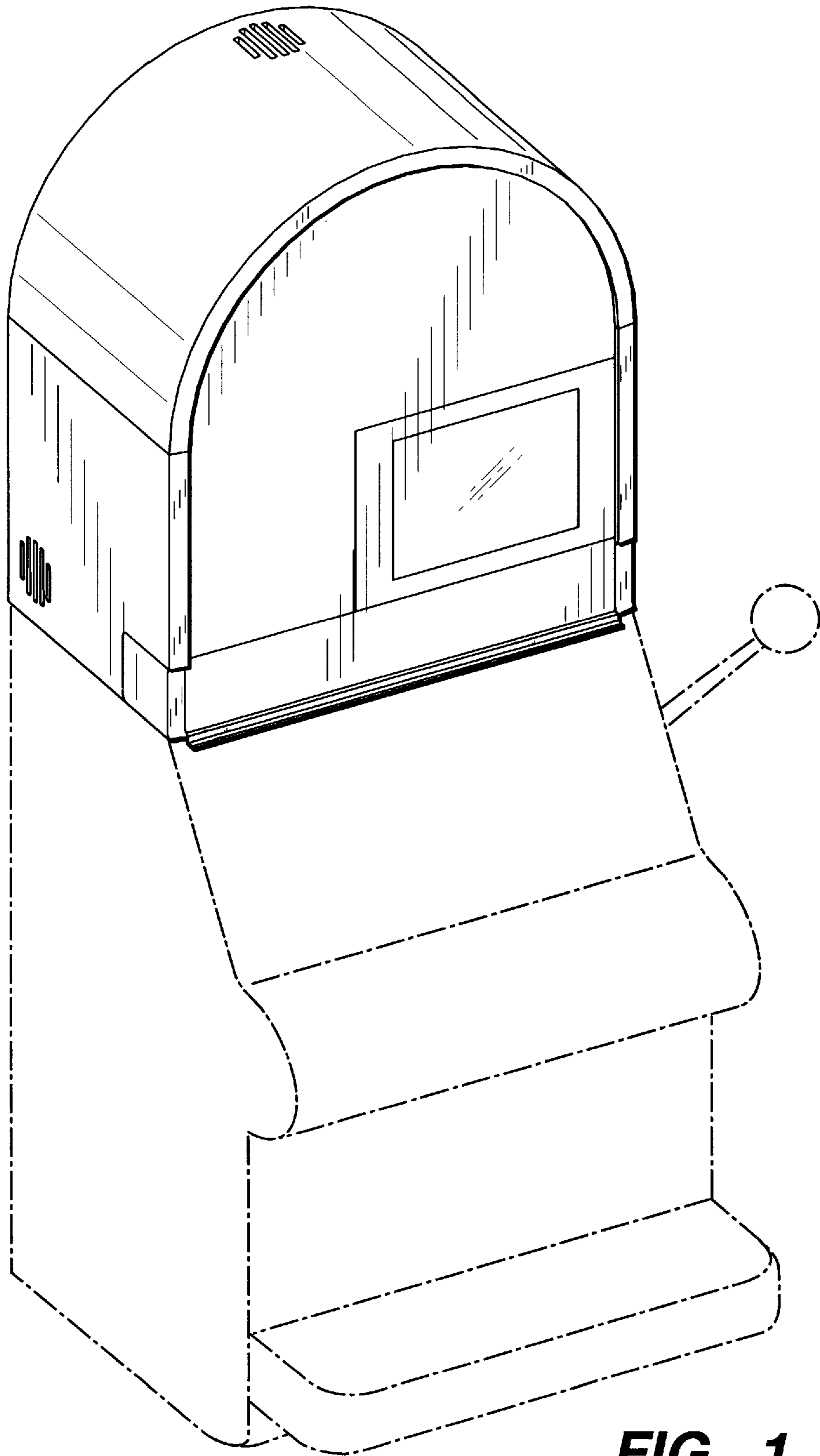


FIG. 1

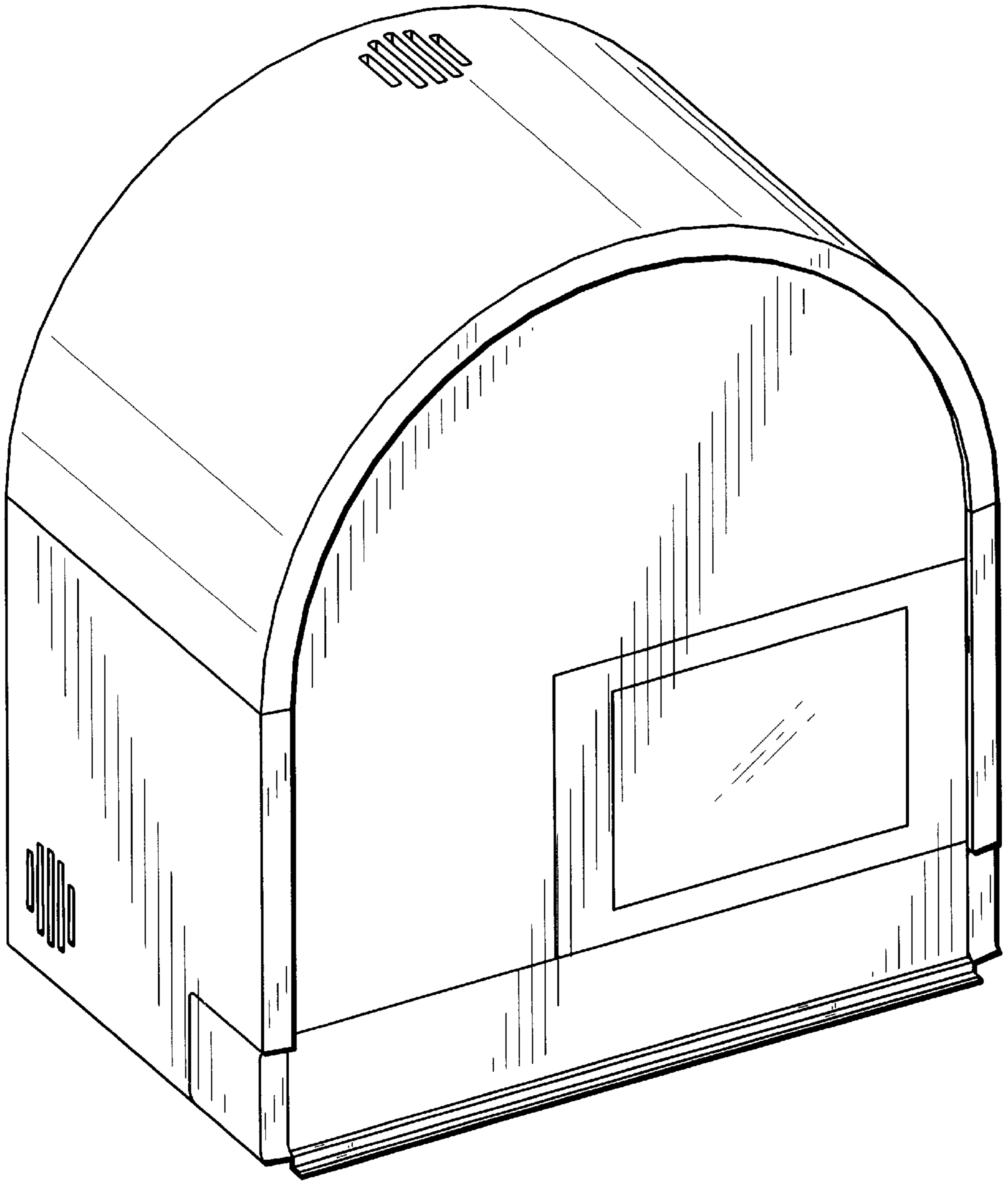


FIG._2

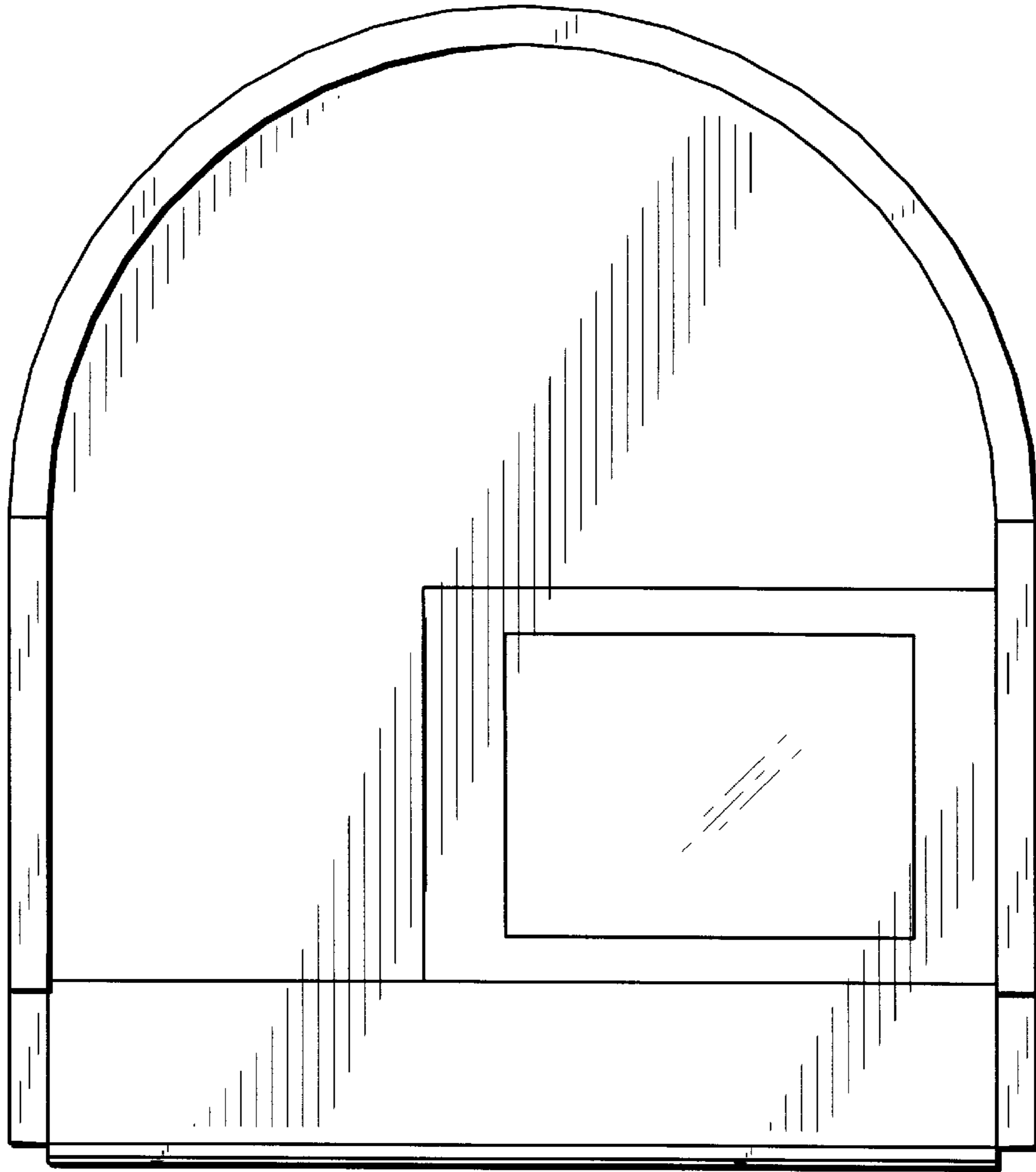


FIG._3

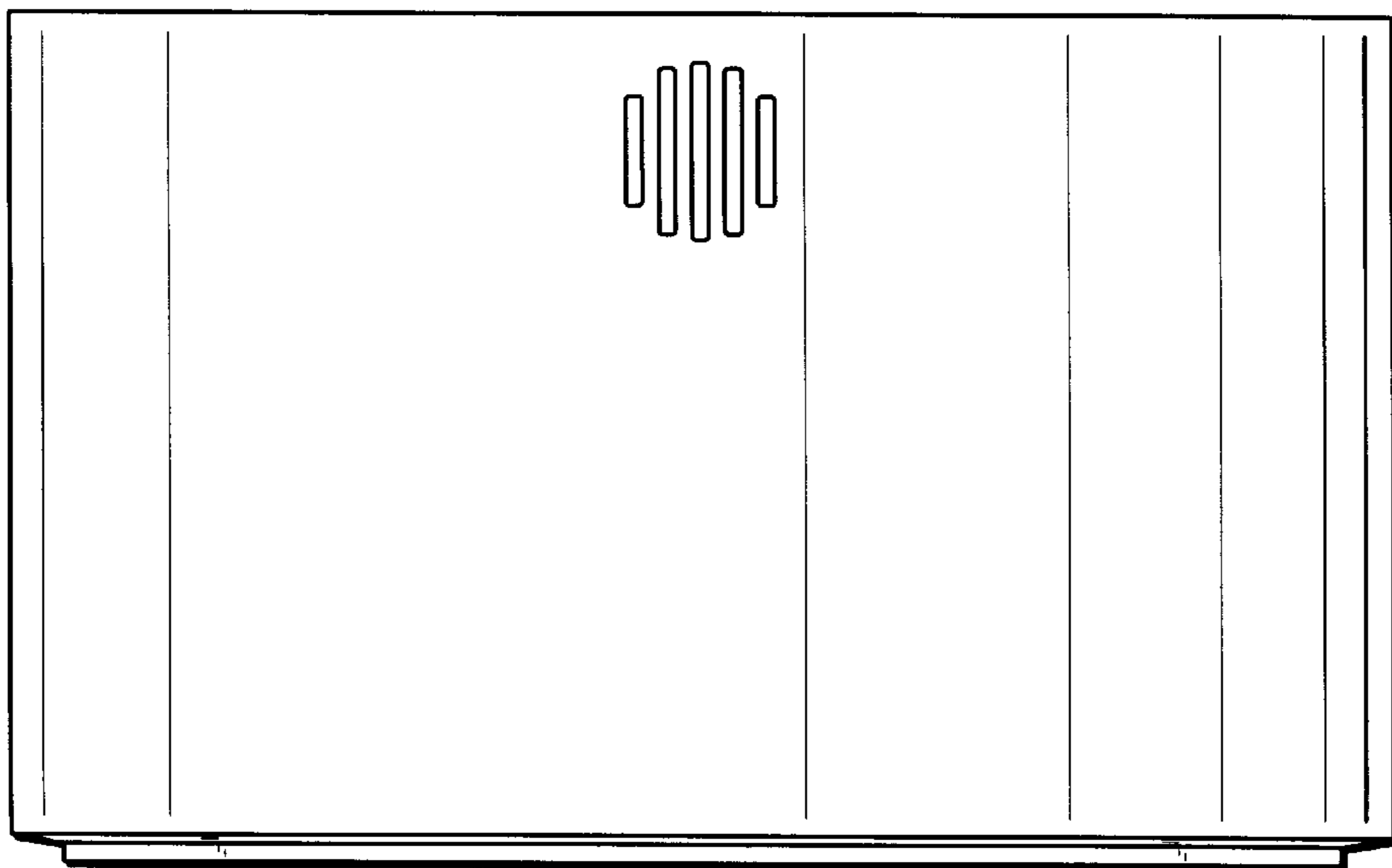


FIG._4

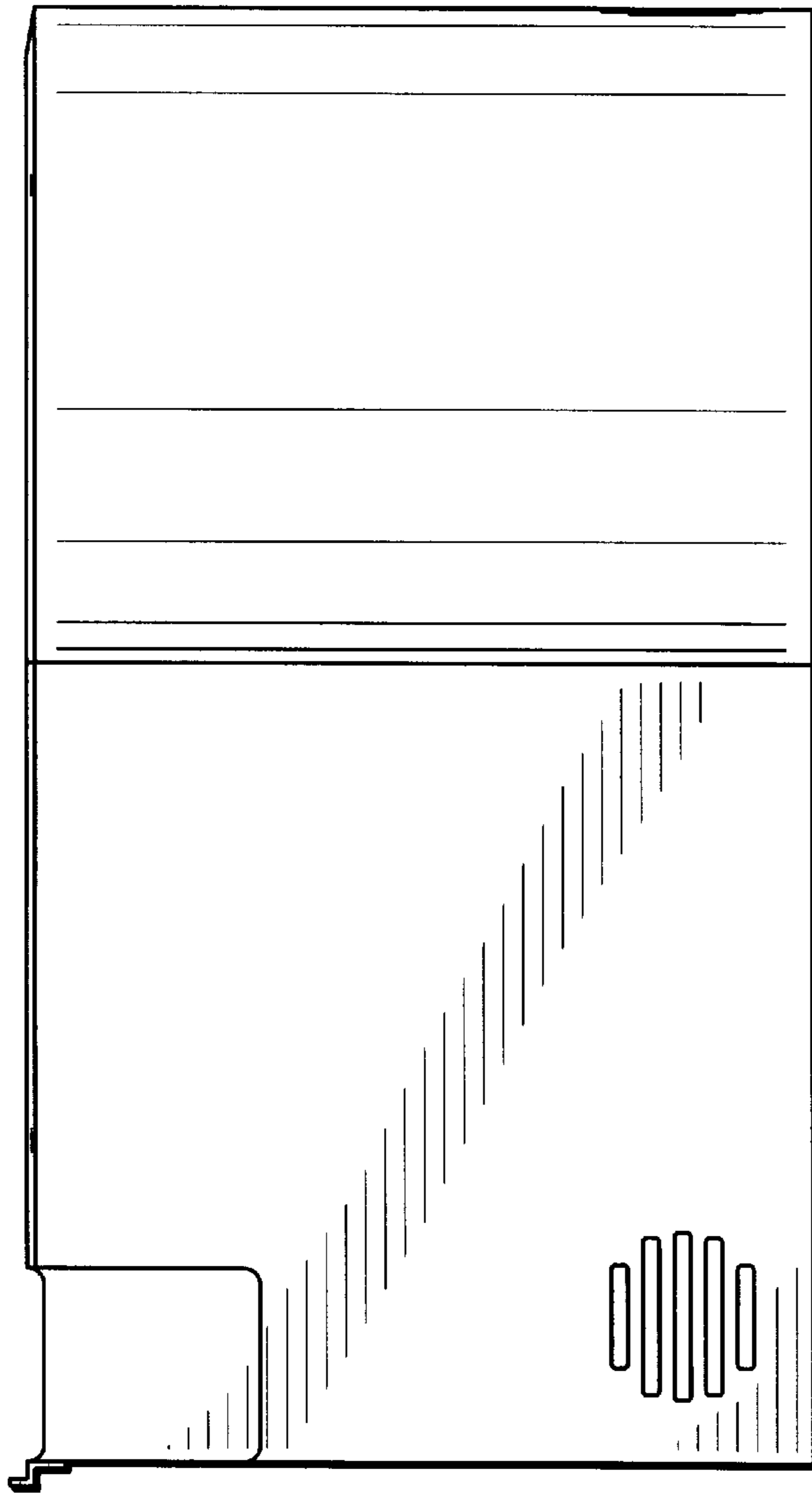


FIG. 5

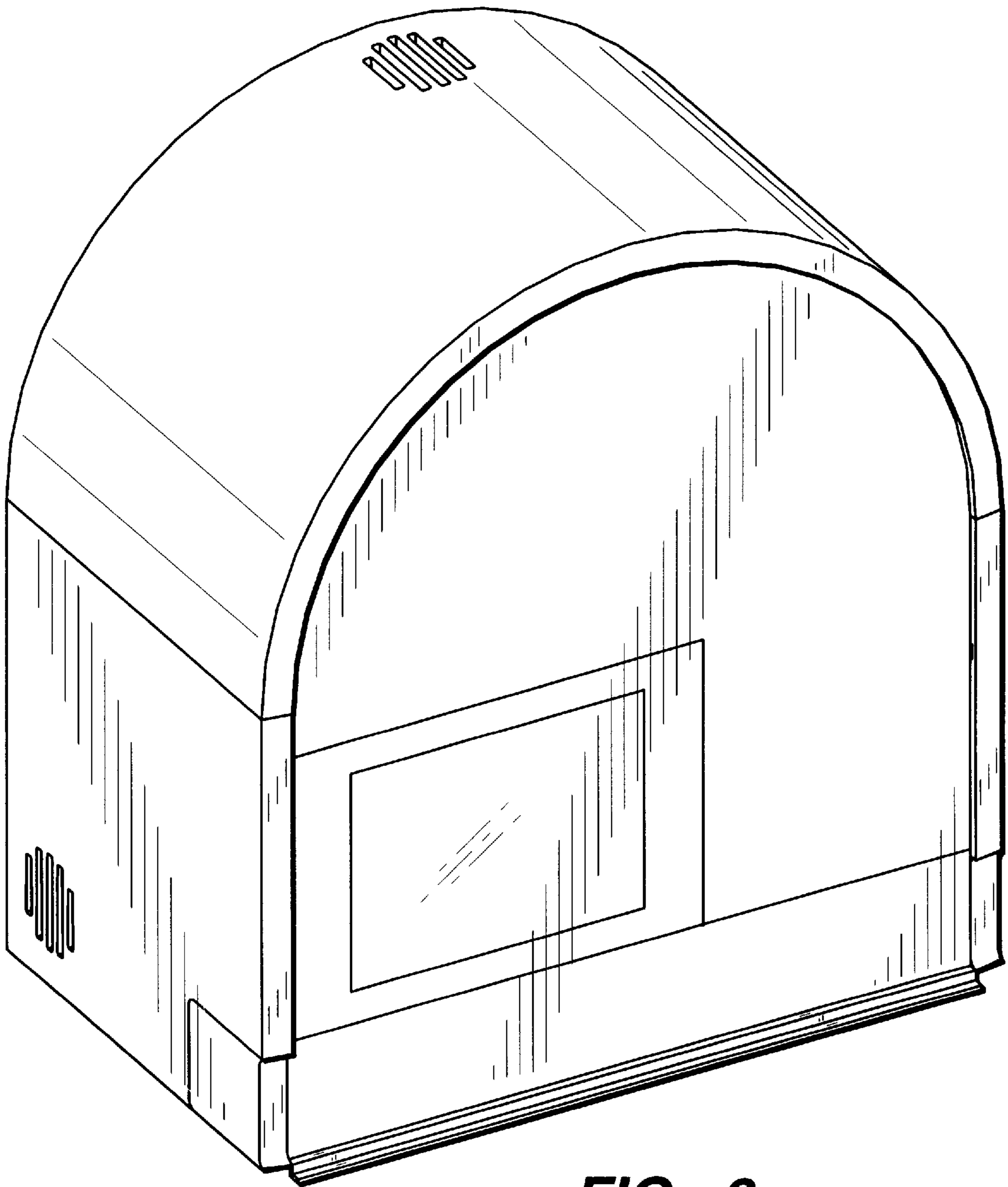


FIG. 6

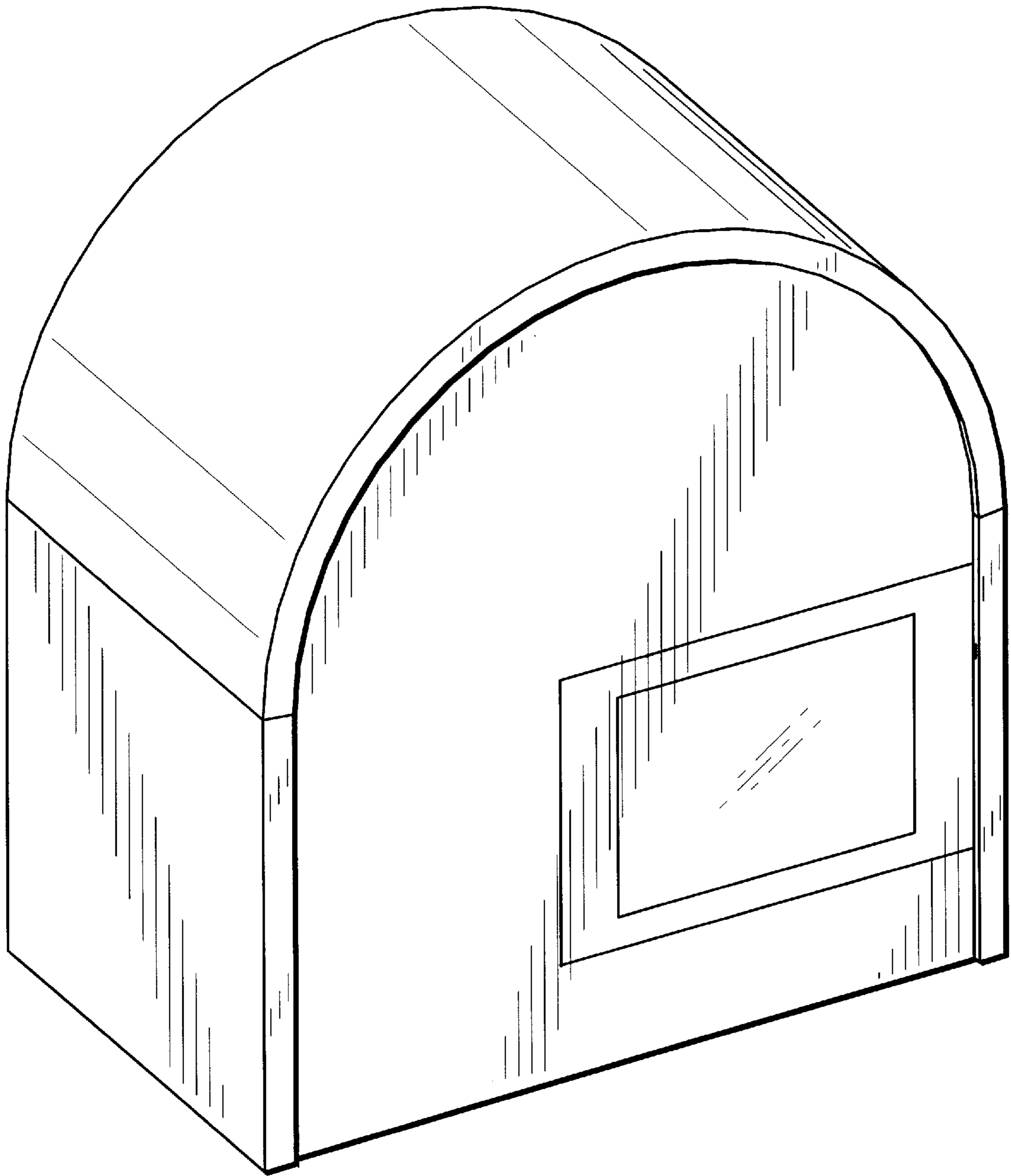


FIG. 7

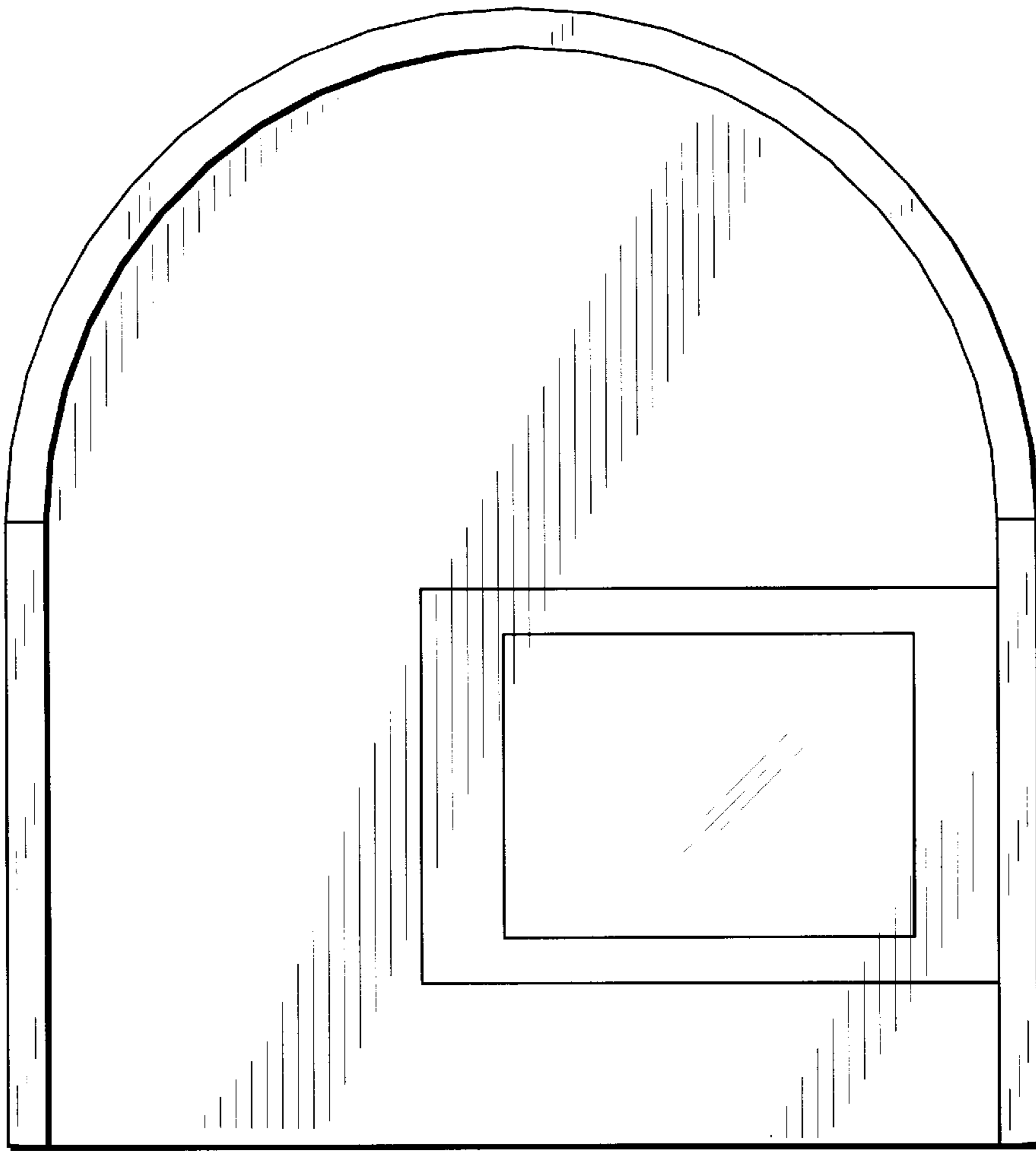


FIG._8



FIG._9

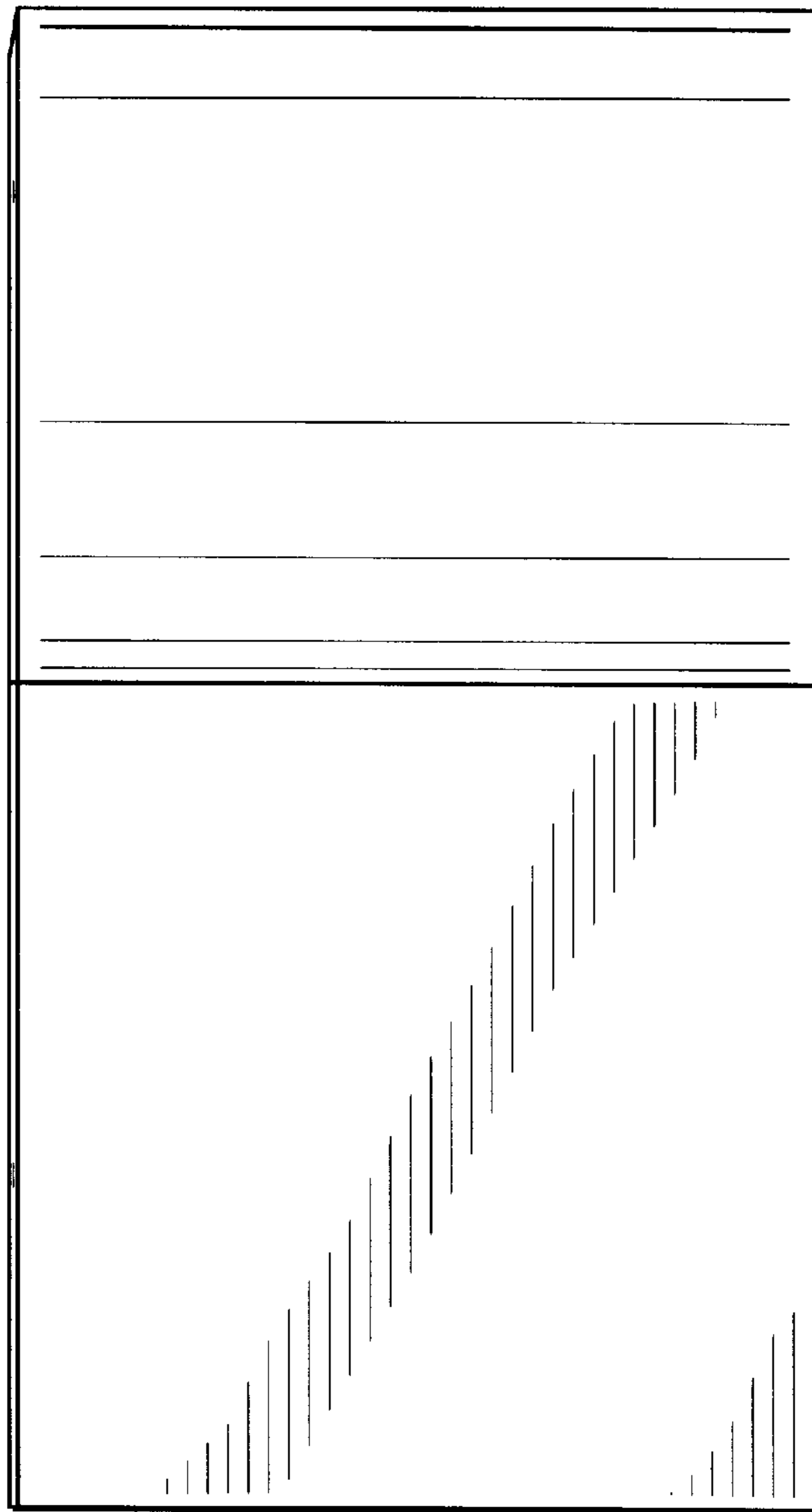


FIG. 10

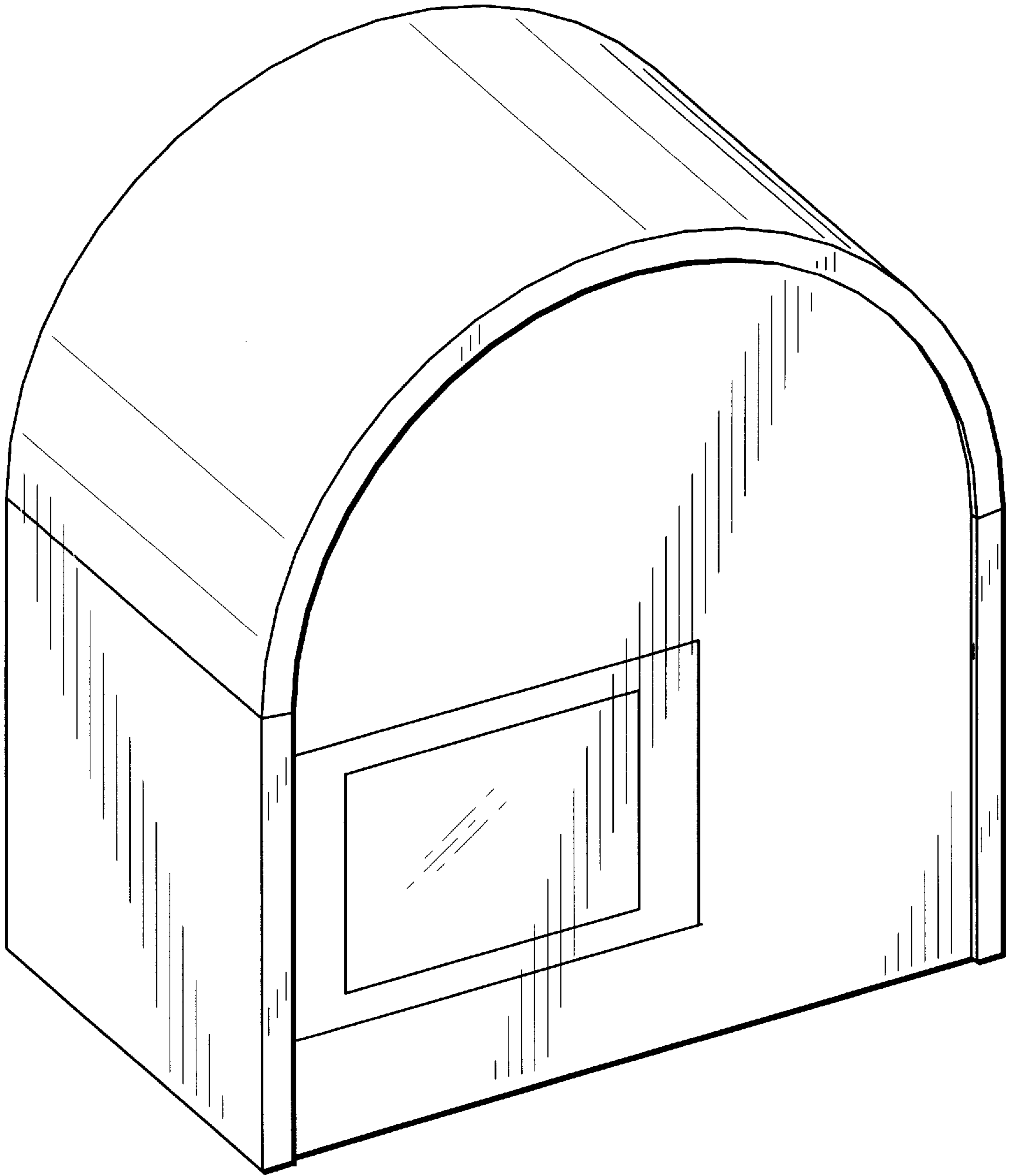


FIG. 11