



US00D404433S

United States Patent [19]

Au Yeung

[11] **Patent Number: Des. 404,433**

[45] **Date of Patent: **Jan. 19, 1999**

[54] **PORTABLE ELECTRONIC COMPUTER GAME**

[75] Inventor: **Siu Fai Au Yeung**, Hong Kong, Hong Kong

[73] Assignee: **Watercore, Ltd.**, Hong Kong, Hong Kong

[**] Term: **14 Years**

[21] Appl. No.: **78,208**

[22] Filed: **Oct. 21, 1997**

[51] **LOC (6) Cl.** **21-01**

[52] **U.S. Cl.** **D21/329**

[58] **Field of Search** D21/1, 13, 48; 273/140, 148 B, 457; 463/1, 29-35, 46-52; D22/134, 138, 139, 148

[56] **References Cited**

U.S. PATENT DOCUMENTS

- D. 49,284 6/1916 Schmitt D22/138
- D. 246,049 10/1977 Nakamura D22/138
- D. 313,061 12/1990 Basoom et al. D22/134
- D. 336,665 6/1993 Tugendhaft D21/13 X

- D. 343,202 1/1994 Peersmann D21/13
- D. 347,246 5/1994 Wen D21/13
- 2,779,131 1/1957 Scheithaer 273/457 X
- 3,924,350 12/1975 Hsu 273/457 X
- 4,969,647 11/1990 Mical et al. 463/46
- 5,263,714 11/1993 Rudell et al. 273/457 X

Primary Examiner—Prabhakar G. Deshmukh
Attorney, Agent, or Firm—Small Larkin, LLP

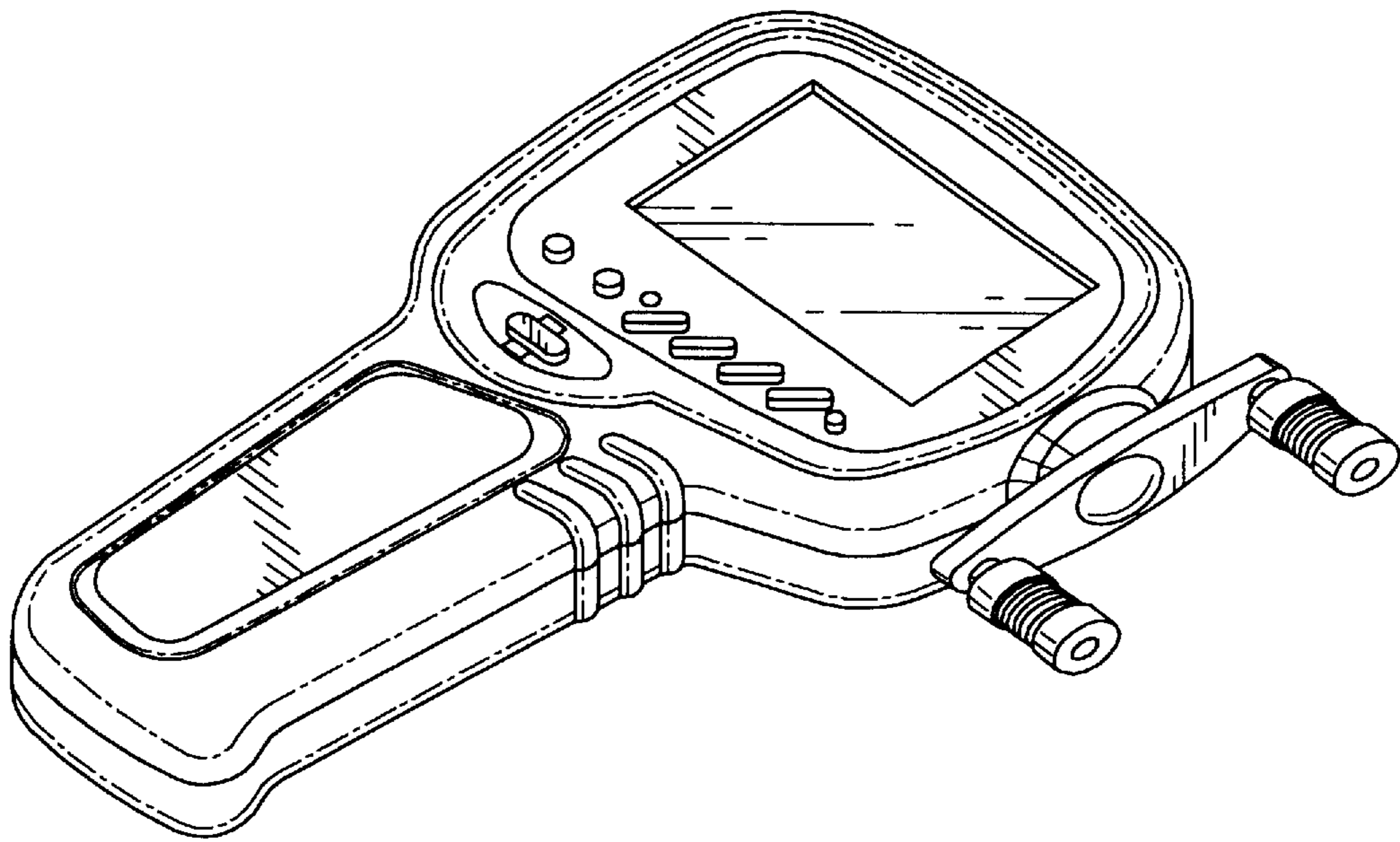
[57] **CLAIM**

The ornamental design for a portable electronic computer game, as shown.

DESCRIPTION

FIG. 1 is a front perspective view of a portable electronic computer game in accordance with my invention; FIG. 2 is a rear side elevational view thereof; FIG. 3 is a right side elevational view thereof; FIG. 4 is a left side elevational view thereof; FIG. 5 is a top plan view thereof; FIG. 6 is a top plan view thereof; FIG. 7 is a bottom plan view thereof; and, FIGS. 2 through 7 have been drawn on a reduced scale with respect to FIG. 1.

1 Claim, 2 Drawing Sheets



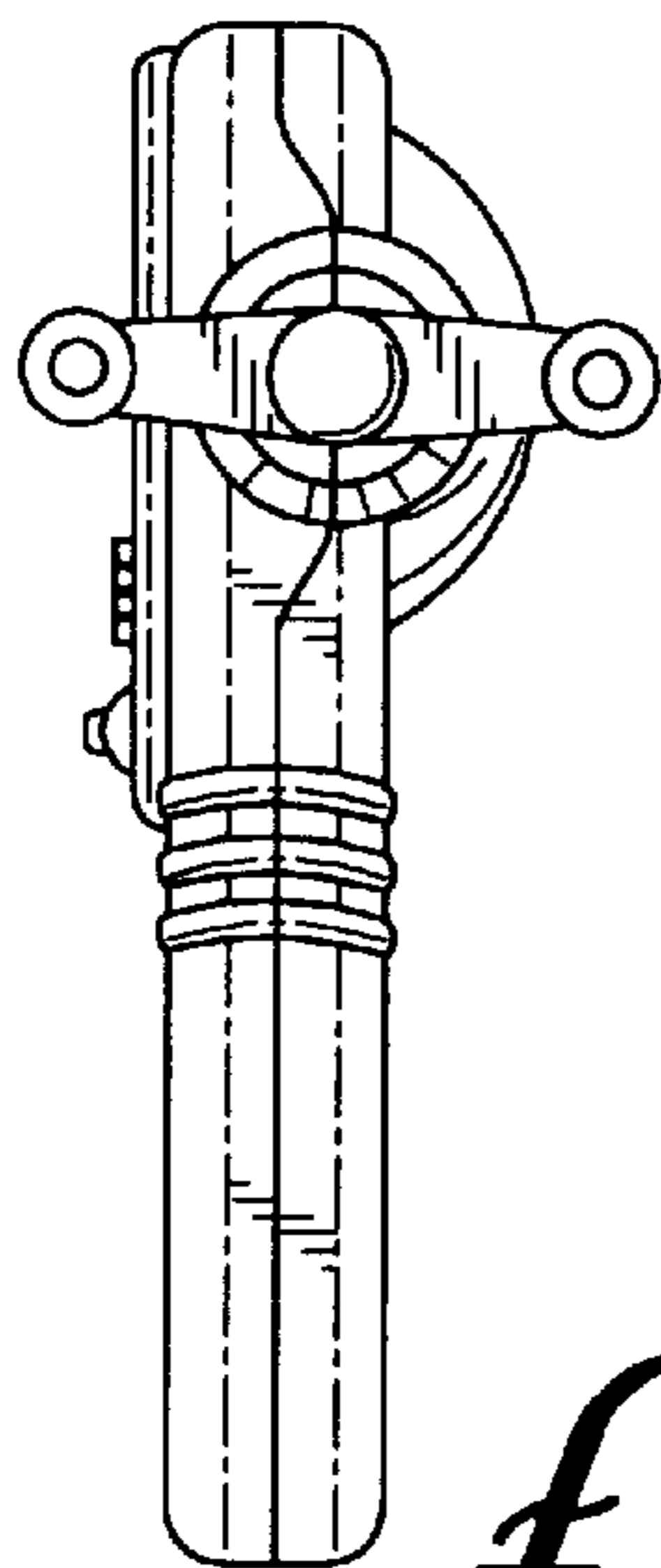


FIG. 3

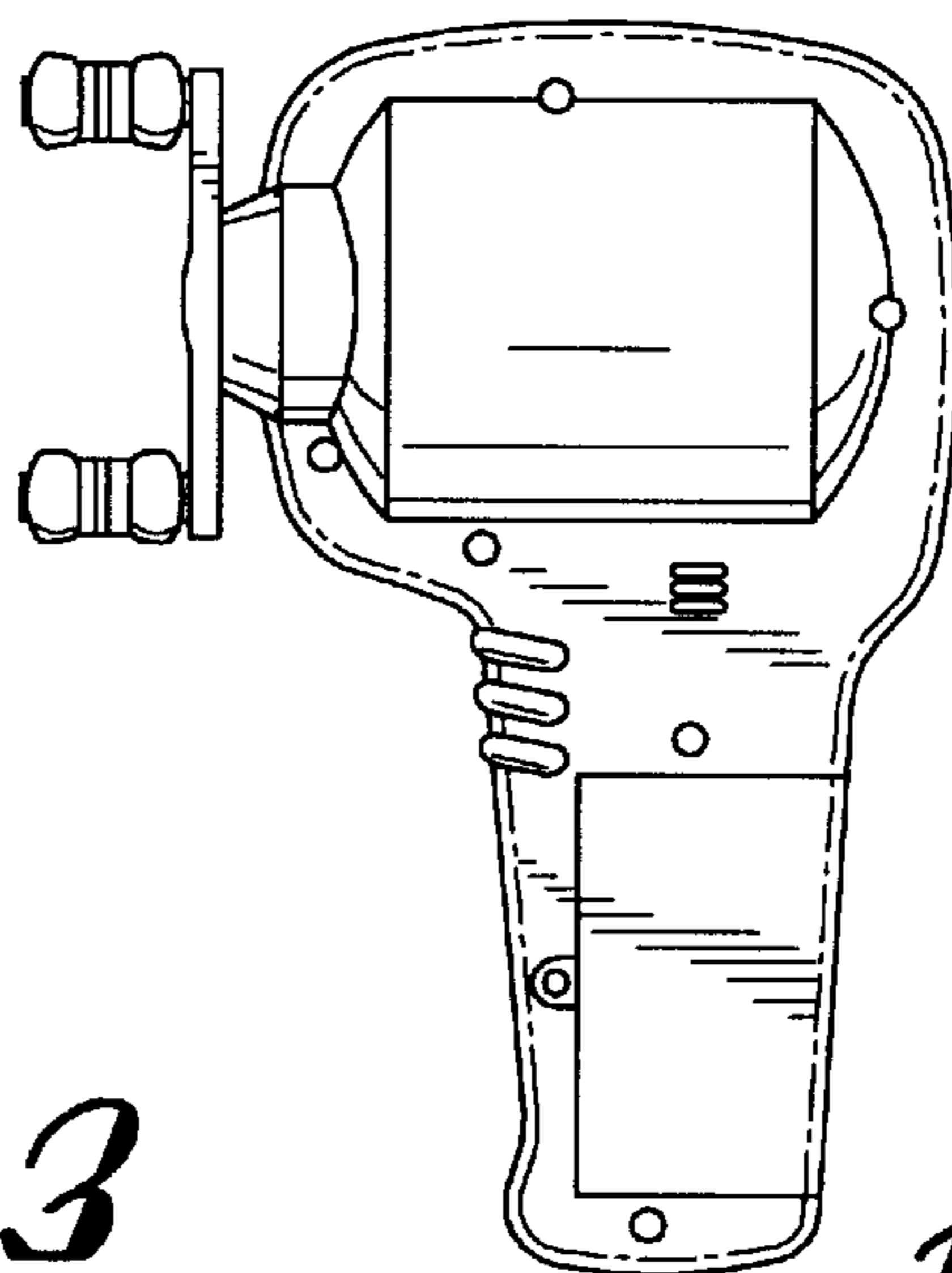


FIG. 2

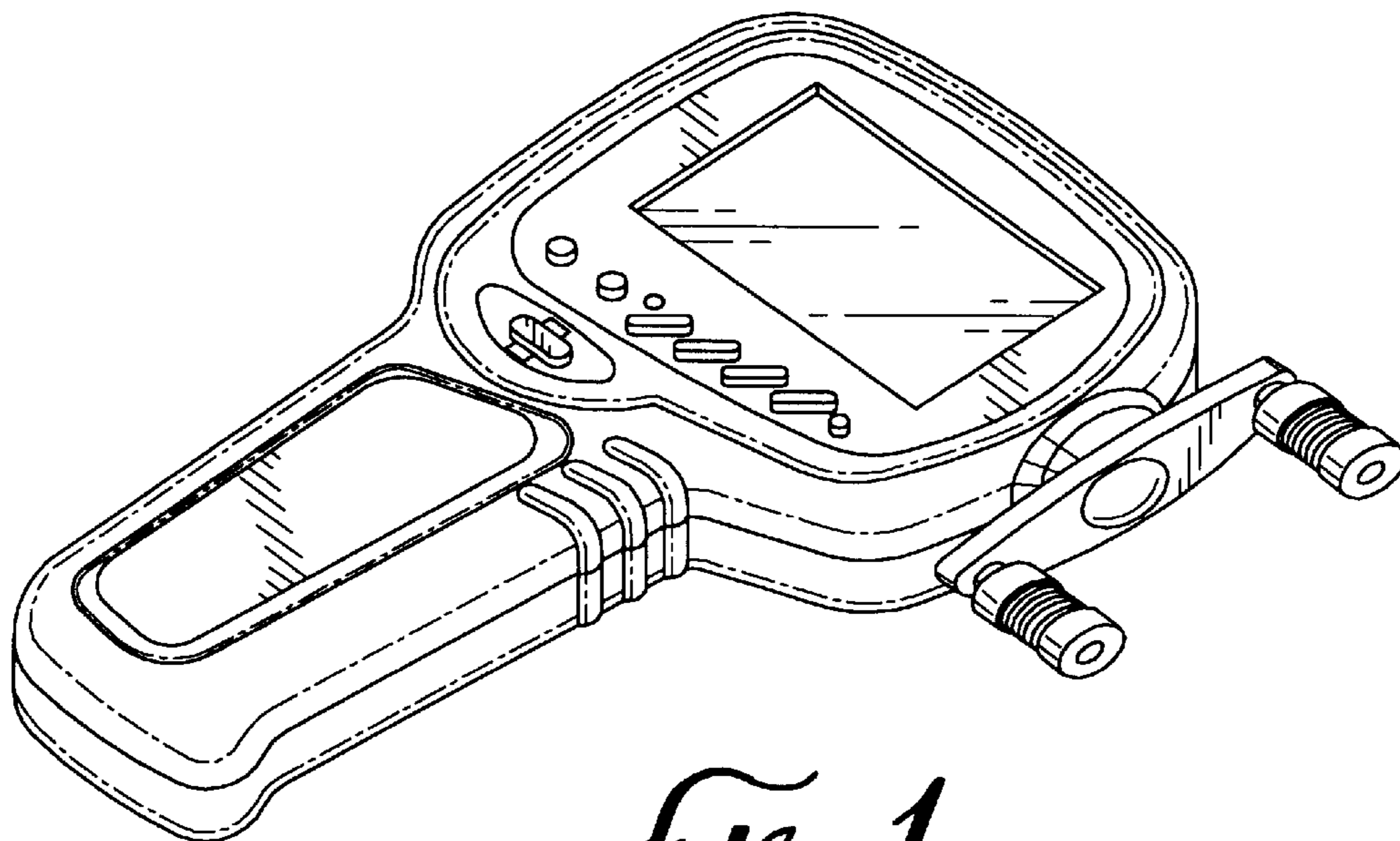


FIG. 1

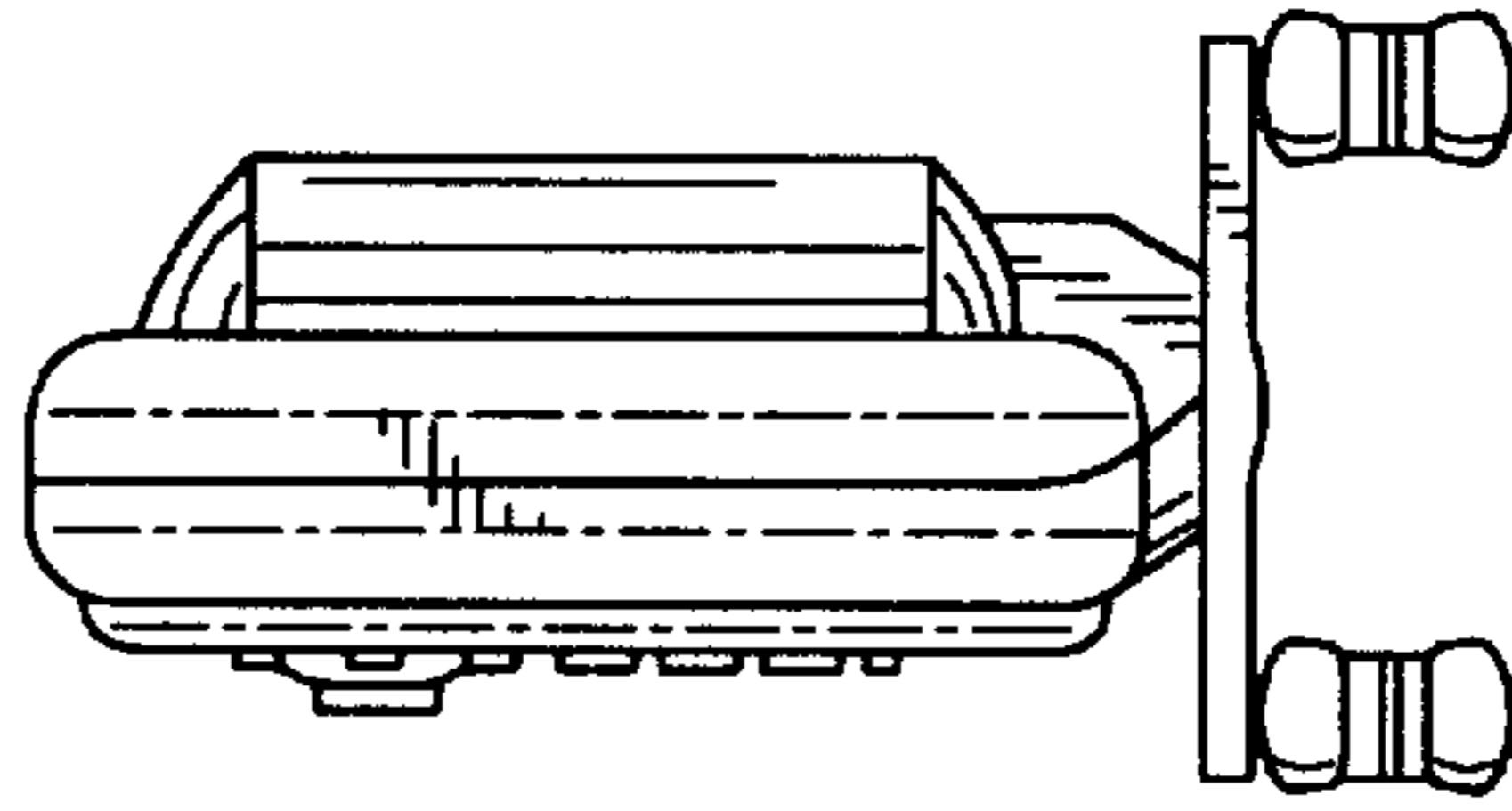


FIG. 6

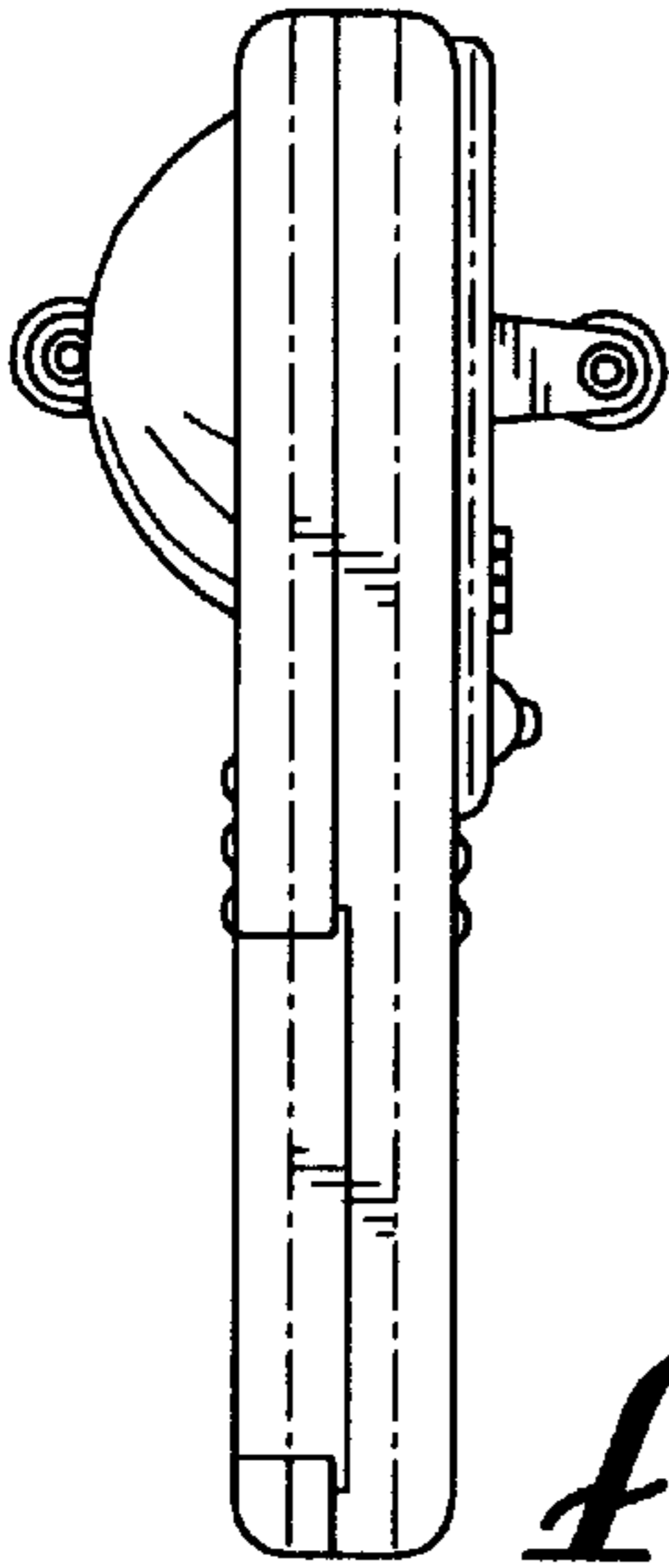


FIG. 4

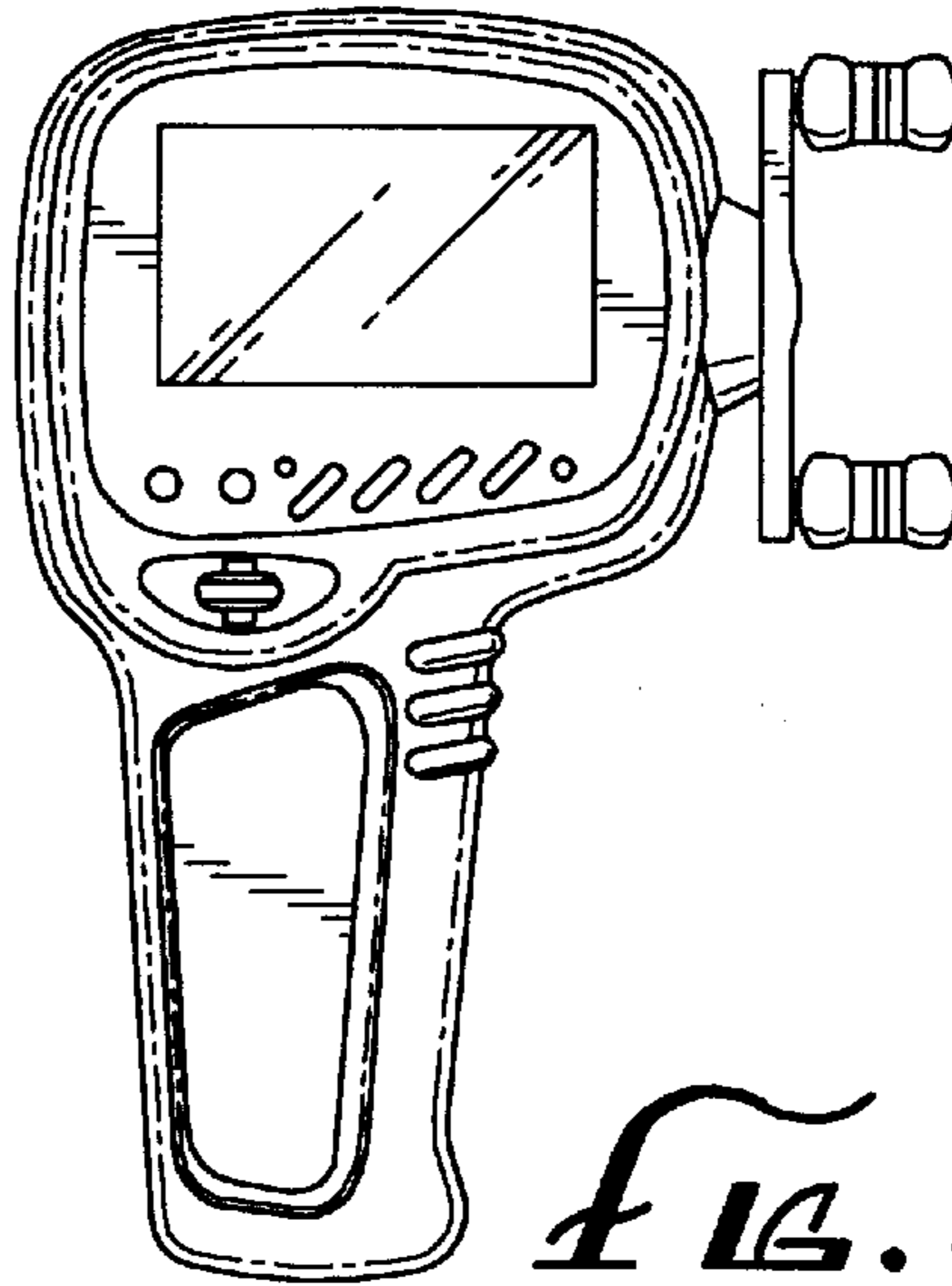


FIG. 5

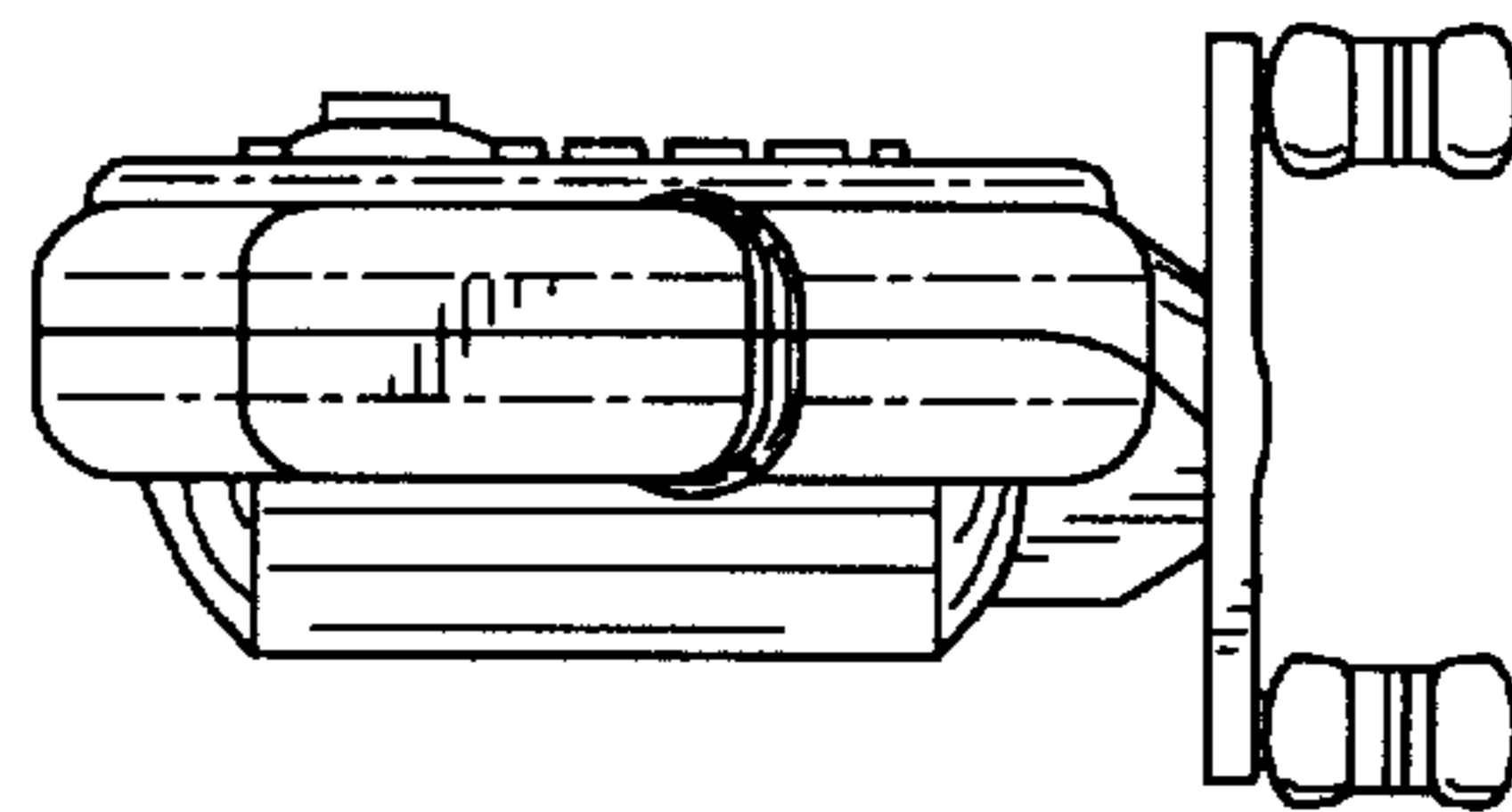


FIG. 7