



US00D404432S

United States Patent [19] Sands

[11] **Patent Number: Des. 404,432**

[45] **Date of Patent: **Jan. 19, 1999**

[54] **ABDOMINAL MUSCLE EXERCISE DEVICE**

[75] Inventor: **Leonard I. Sands**, Tarzana, Calif.

[73] Assignee: **Guthy-Renker Corporation**, Santa Monica, Calif.

[**] Term: **14 Years**

[21] Appl. No.: **54,003**

[22] Filed: **May 3, 1996**

[51] **LOC (6) Cl.** **21-02**

[52] **U.S. Cl.** **D21/191**

[58] **Field of Search** D21/191, 193,
D21/195, 198; 482/140, 131, 132, 133,
142, 96

| | | | |
|-----------|---------|-------------------|---------|
| 4,508,335 | 4/1985 | Kelly et al. | 272/145 |
| 4,527,833 | 7/1985 | Parker | 297/397 |
| 4,541,628 | 9/1985 | Parviainen | 272/134 |
| 4,582,319 | 4/1986 | Luna | 272/136 |
| 4,591,148 | 5/1986 | Slater | 272/93 |
| 4,595,234 | 6/1986 | Kjersem | 297/258 |
| 4,729,562 | 3/1988 | Pipasik | 272/144 |
| 4,752,067 | 6/1988 | Colonello | 272/93 |
| 4,807,873 | 2/1989 | Naquin | 272/93 |
| 4,863,158 | 9/1989 | Tassone | 272/93 |
| 4,902,003 | 2/1990 | Buoni | 272/93 |
| 4,919,481 | 4/1990 | Garabedian | 297/258 |
| 4,976,423 | 12/1990 | Routti | 272/72 |
| 5,033,742 | 7/1991 | Johnson et al. | 482/140 |
| 5,056,779 | 10/1991 | Webb | 272/134 |
| 5,074,549 | 12/1991 | Harvey | 272/93 |
| 5,098,089 | 3/1992 | Harrington et al. | 482/140 |
| 5,100,130 | 3/1992 | Shoebrooks | 482/121 |

(List continued on next page.)

[56] **References Cited**

U.S. PATENT DOCUMENTS

| | | | |
|------------|---------|-------------------|---------|
| D. 286,802 | 11/1986 | Ahlberg | D21/191 |
| D. 298,959 | 12/1988 | DeGalvez | D21/191 |
| D. 348,491 | 7/1994 | Diep | D21/191 |
| 1,244,371 | 10/1917 | Reynolds | . |
| 2,429,939 | 10/1947 | Masterson et al. | 272/58 |
| 2,533,273 | 12/1950 | MacGregor | 272/58 |
| 2,563,407 | 8/1951 | Haims | 155/69 |
| 2,722,967 | 11/1955 | Reinholz | 155/69 |
| 3,077,347 | 2/1963 | Nova | 272/60 |
| 3,540,724 | 11/1970 | Hunter | 272/63 |
| 3,591,173 | 7/1971 | Cossman | 272/60 |
| 3,858,873 | 1/1975 | Jones | 272/58 |
| 3,866,605 | 2/1975 | Stakeman | 128/70 |
| 3,998,454 | 12/1976 | Jones | 272/117 |
| 4,141,588 | 2/1979 | Anderson | 297/258 |
| 4,182,511 | 1/1980 | Camp, Jr. | 272/145 |
| 4,228,999 | 10/1980 | Armstrong | 272/33 |
| 4,241,949 | 12/1980 | Parker | 297/3 |
| 4,258,952 | 3/1981 | Dutra | 297/258 |
| 4,367,870 | 1/1983 | Birch | 272/144 |
| 4,372,553 | 2/1983 | Hatfield | 272/119 |
| 4,405,128 | 9/1983 | McLaughlin et al. | 272/117 |
| 4,457,510 | 7/1984 | Pertschuk | 272/93 |

FOREIGN PATENT DOCUMENTS

| | | | |
|------------|--------|-------------|---------|
| 3632124A1 | 9/1986 | Germany | . |
| 465764 | 1/1969 | Switzerland | 482/133 |
| WO94/00201 | 1/1994 | WIPO | 482/142 |

Primary Examiner—Philip S. Hyder
Attorney, Agent, or Firm—Cislo & Thomas LLP

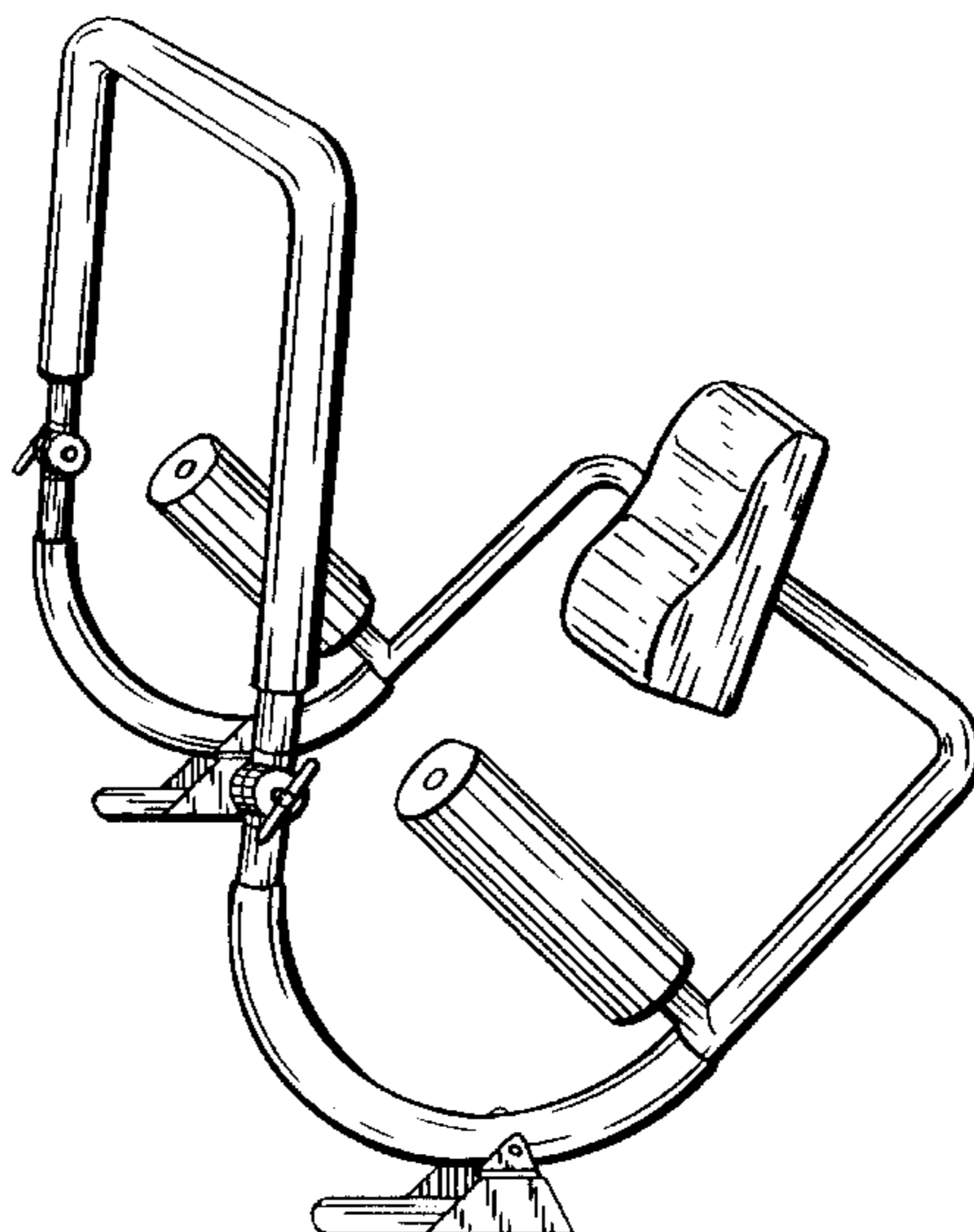
[57] **CLAIM**

The ornamental design for a abdominal muscle exercise device, as shown and described.

DESCRIPTION

FIG. 1 is a perspective view of my abdominal muscle exercise device;
FIG. 2 is a front view thereof;
FIG. 3 is a rear view thereof;
FIG. 4 is a right side elevational view thereof;
FIG. 5 is a left side elevational view thereof;
FIG. 6 is a top view thereof; and,
FIG. 7 is a bottom view thereof.

1 Claim, 4 Drawing Sheets



U.S. PATENT DOCUMENTS

| | | | | | | | |
|-----------|---------|----------------------|---------|-----------|---------|------------------------|---------|
| 5,120,052 | 6/1992 | Evans | 482/145 | 5,290,215 | 3/1994 | Lin | 482/140 |
| 5,122,107 | 6/1992 | Gardner | 482/140 | 5,295,949 | 3/1994 | Hathaway | 602/18 |
| 5,125,650 | 6/1992 | Paris | 482/142 | 5,300,004 | 4/1994 | Muehlenbein | 482/140 |
| 5,125,883 | 6/1992 | Shoebrooks | 482/140 | 5,324,247 | 6/1994 | Lepley | 482/134 |
| 5,141,482 | 8/1992 | Hern | 482/130 | 5,328,434 | 7/1994 | Carroll | 482/140 |
| 5,147,267 | 9/1992 | Kunewalder | 482/96 | 5,328,435 | 7/1994 | Ricks | 482/140 |
| 5,160,304 | 11/1992 | Van Der Hoeven | 482/128 | 5,342,274 | 8/1994 | Hunker | 482/140 |
| 5,160,306 | 11/1992 | Lui | 482/140 | 5,368,537 | 11/1994 | Felice | 482/140 |
| 5,163,889 | 11/1992 | Kaaua | 482/140 | 5,372,558 | 12/1994 | Perry et al. | 482/49 |
| 5,169,372 | 12/1992 | Tecco | 482/140 | 5,372,566 | 12/1994 | Olschansky et al. | 482/140 |
| 5,176,603 | 1/1993 | Hundley et al. | 482/140 | 5,403,253 | 4/1995 | Gaylord | 482/43 |
| 5,186,702 | 2/1993 | Amanze | 482/145 | 5,403,258 | 4/1995 | Hill | 482/140 |
| 5,190,513 | 3/1993 | Habing et al. | 482/145 | 5,407,404 | 4/1995 | Killian et al. | 482/38 |
| 5,195,938 | 3/1993 | Robertson | 482/131 | 5,417,636 | 5/1995 | Havens | 482/145 |
| 5,207,628 | 5/1993 | Graham | 482/140 | 5,433,689 | 7/1995 | Frins | 482/142 |
| 5,213,558 | 5/1993 | Miller et al. | 482/140 | 5,441,473 | 8/1995 | Safani et al. | 482/140 |
| 5,224,914 | 7/1993 | Friedman | 482/127 | 5,458,549 | 10/1995 | Obery | 482/23 |
| 5,232,425 | 8/1993 | Miller et al. | 482/121 | 5,466,205 | 11/1995 | McLane et al. | 482/140 |
| 5,248,287 | 9/1993 | Nicoletti | 482/106 | 5,474,513 | 12/1995 | Carlesimo et al. | 482/140 |
| 5,267,931 | 12/1993 | Faetini | 482/140 | 5,492,520 | 2/1996 | Brown | 482/140 |
| 5,279,533 | 1/1994 | Yin et al. | 482/147 | 5,496,247 | 3/1996 | Anderson | 482/142 |
| 5,290,209 | 3/1994 | Wilkinson | 482/38 | 5,577,987 | 11/1996 | Brown | 482/140 |

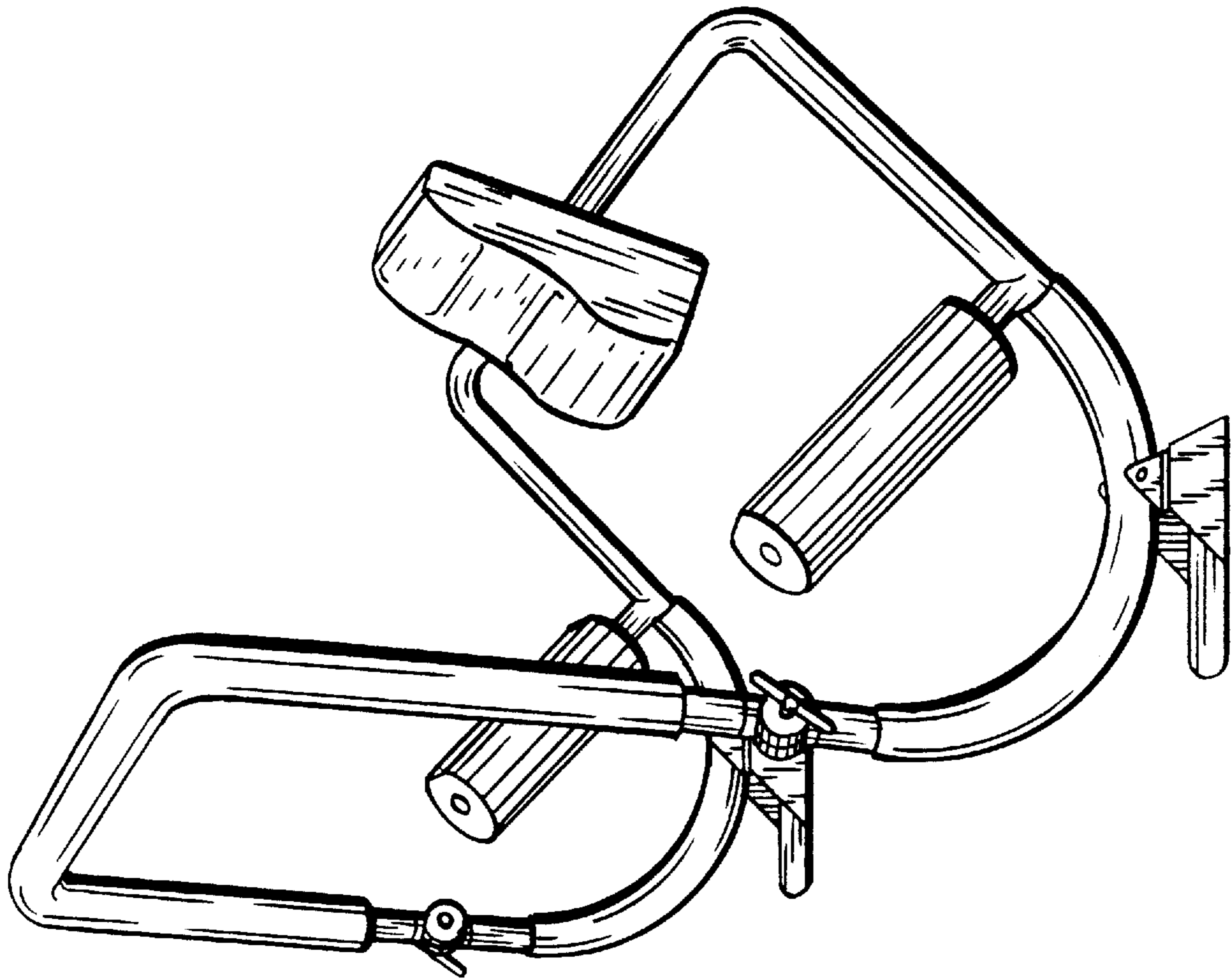
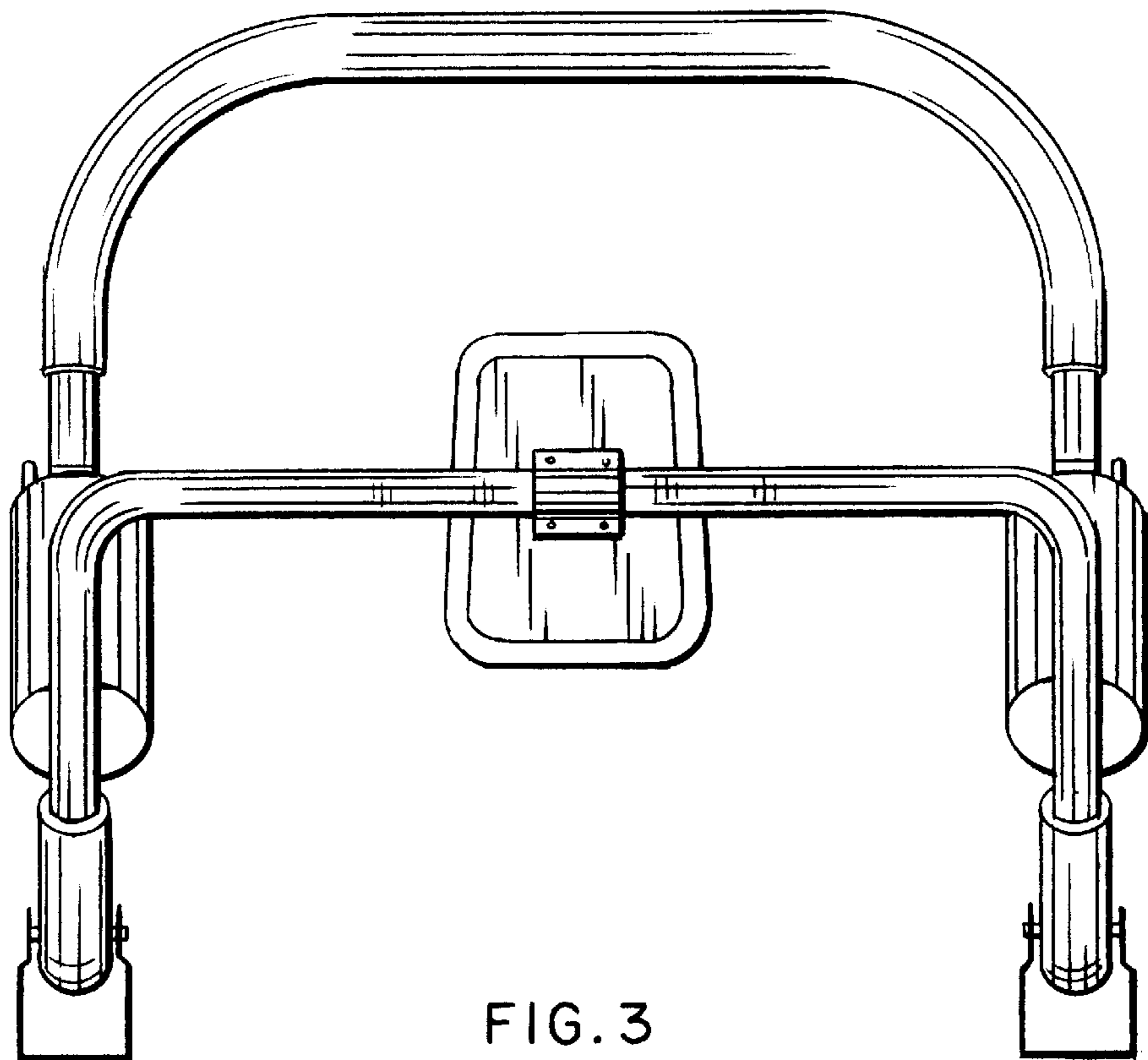
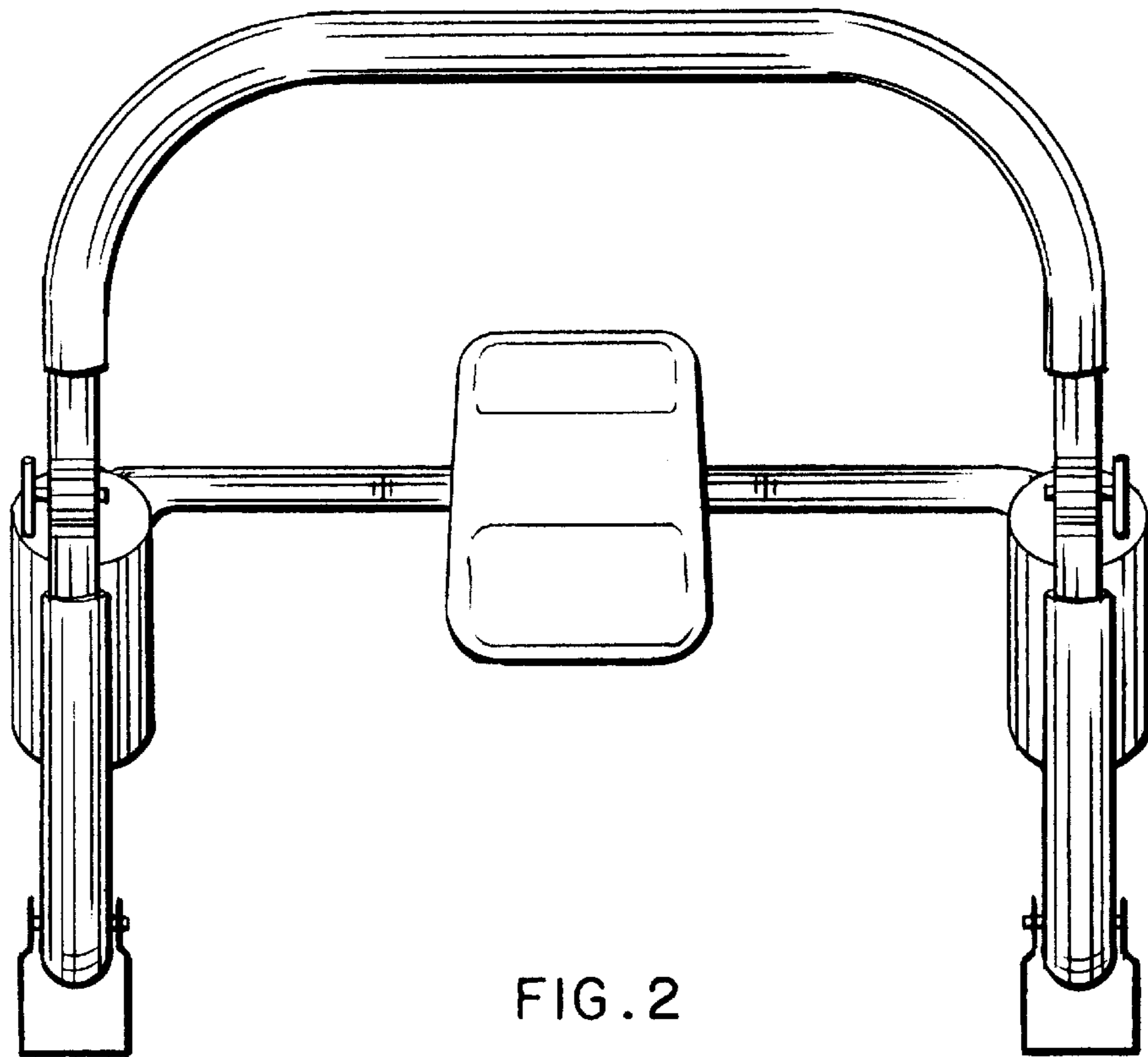


FIG. 1



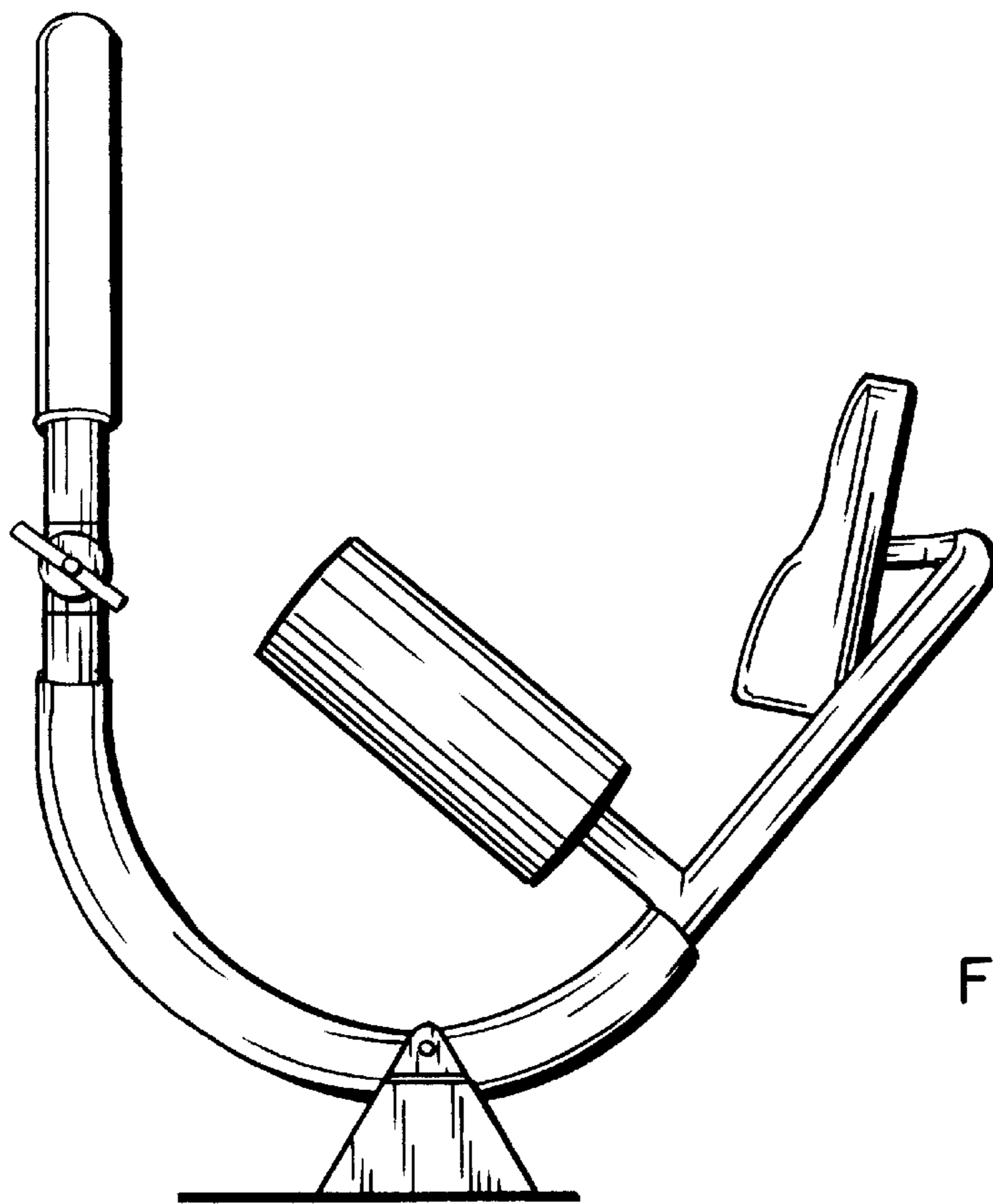


FIG. 4

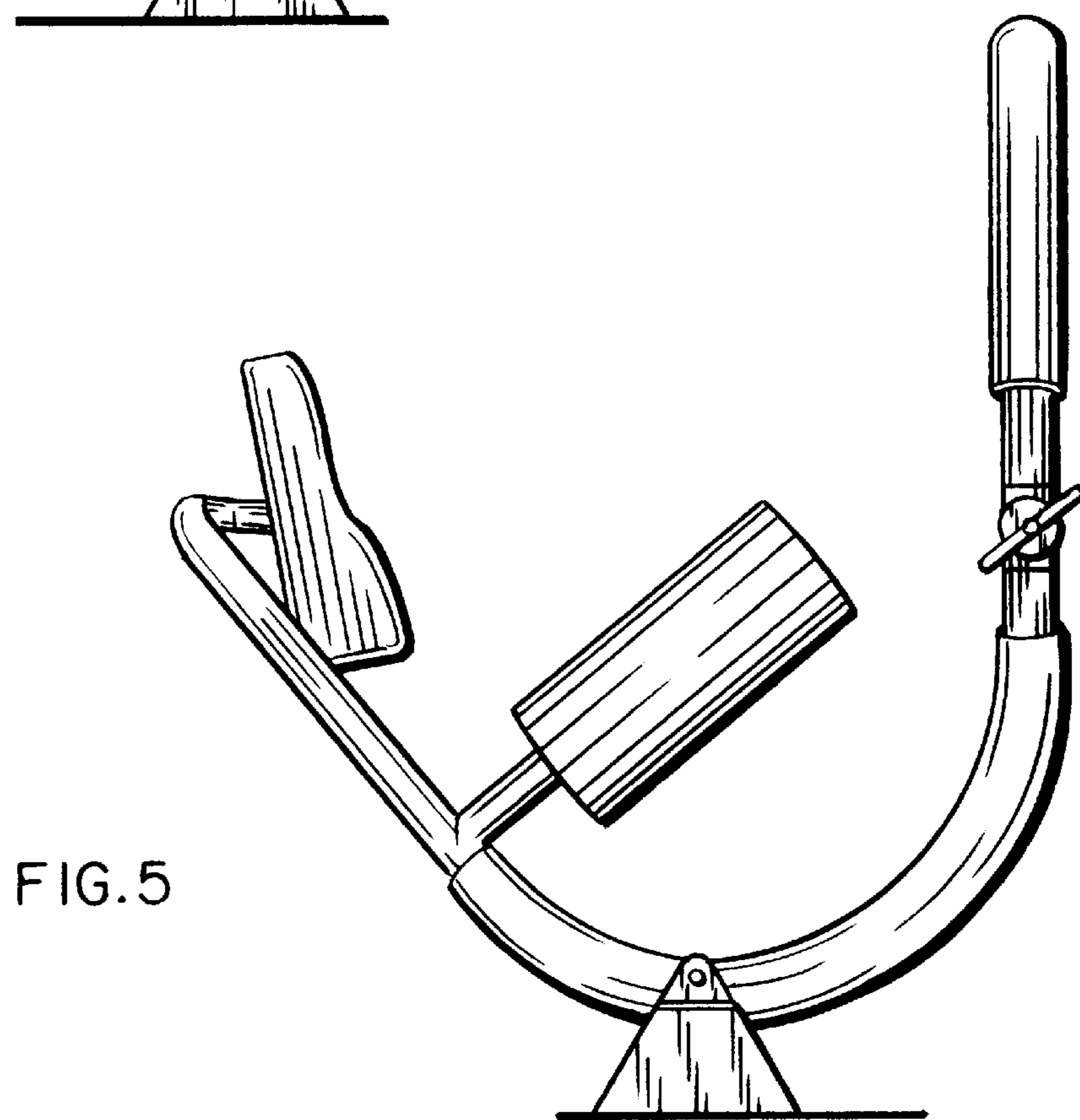


FIG. 5

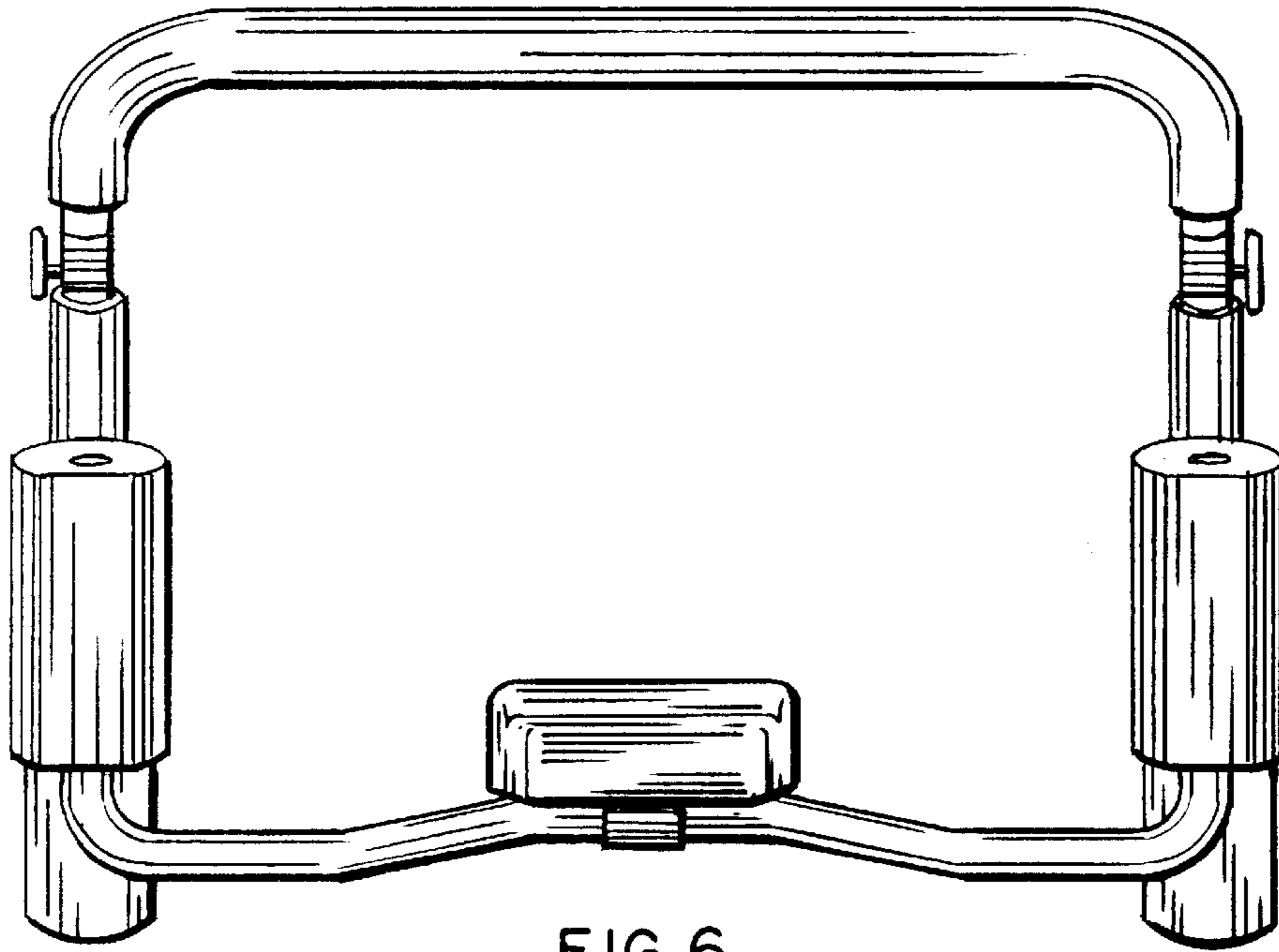


FIG. 6

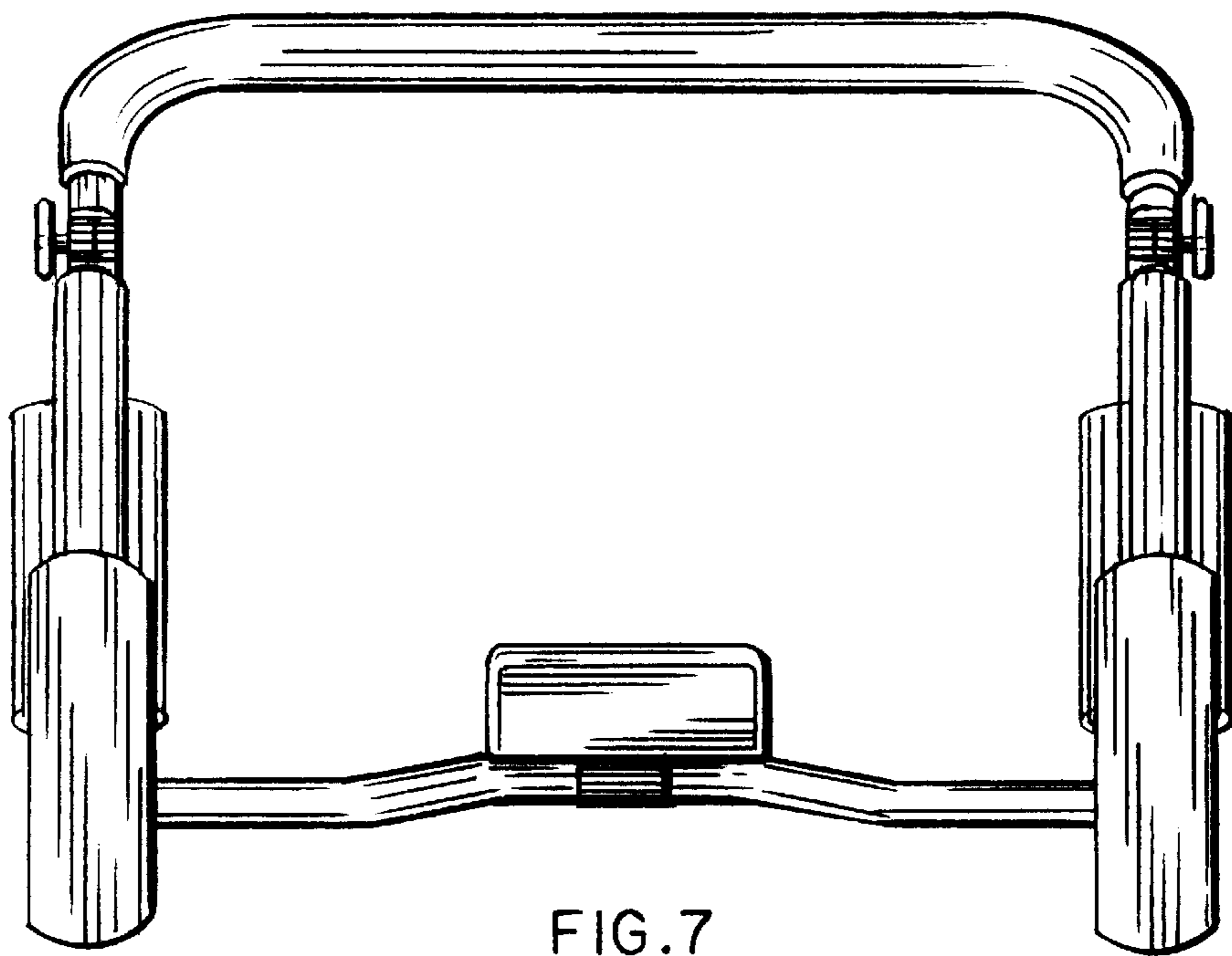


FIG. 7