



US00D404431S

# United States Patent [19]

[11] Patent Number: **Des. 404,431**

Hoffman et al.

[45] Date of Patent: **\*\*Jan. 19, 1999**

[54] **GUMBALL DISPENSER**

*Attorney, Agent, or Firm*—Seidel, Gonda, Lavorgna & Monaco, PC

[75] Inventors: **Donald L. Hoffman**, Wynnewood; **Neal M. Cohen**, Lafayette Hill, both of Pa.

### [57] CLAIM

[73] Assignee: **Hilco Corporation**, Norristown, Pa.

The ornamental design for a gumball dispenser, as shown and described.

[\*\*] Term: **14 Years**

### DESCRIPTION

[21] Appl. No.: **75,714**

FIG. 1 is a front elevation of a gumball dispenser showing our new design;

[22] Filed: **Jun. 30, 1997**

FIG. 2 is a rear elevation of a gumball dispenser showing our new design;

[51] **LOC (6) Cl.** ..... **20-01**

[52] **U.S. Cl.** ..... **D20/7**

[58] **Field of Search** ..... D20/1-9; D6/461, D6/470; D7/589; 221/92, 128, 155, 196, 281, 284; 194/350

FIG. 3 is a left elevation of a gumball dispenser showing our new design;

### [56] References Cited

#### U.S. PATENT DOCUMENTS

D. 313,821	1/1991	Lynch et al.	.....	D20/3
D. 370,694	6/1996	Kovens et al.	.....	D20/7
D. 374,039	9/1996	Beene	.....	D20/7
D. 379,137	5/1997	Lam	.....	D7/589
1,049,776	1/1913	Stauffer et al.	.	
3,077,254	2/1963	Goldfarb	.....	194/80
3,081,908	3/1963	Siegfried	.....	221/155
3,715,055	2/1973	Kendrick et al.	.....	221/75
4,560,086	12/1985	Stol	.....	221/24
4,976,376	12/1990	Williams	.....	221/24
5,452,822	9/1995	Haymond	.....	221/155

FIG. 4 is a right elevation of a gumball dispenser showing our new design;

FIG. 5 is a top plan view of a gumball dispenser showing our new design;

FIG. 6 is a bottom plan view of a gumball dispenser showing our new design;

FIG. 7 is a front elevation of an alternate version of the gumball dispenser as illustrated in FIGS. 1-6 showing additional features;

#### FOREIGN PATENT DOCUMENTS

2 297 318	7/1996	United Kingdom .
2052217	5/1997	United Kingdom .
2059966	5/1997	United Kingdom .
2044305	6/1997	United Kingdom .

FIG. 8 is a rear elevation of the gumball dispenser shown in FIG. 7;

FIG. 9 is a left elevation of the gumball dispenser shown in FIG. 7;

FIG. 10 is a right elevation of the gumball dispenser shown in FIG. 7; and,

FIG. 11 is a top plan view of the gumball dispenser shown in FIG. 7. The bottom plan view of the gumball dispenser of FIGS. 7-11 have a form similar to that shown in FIG. 6.

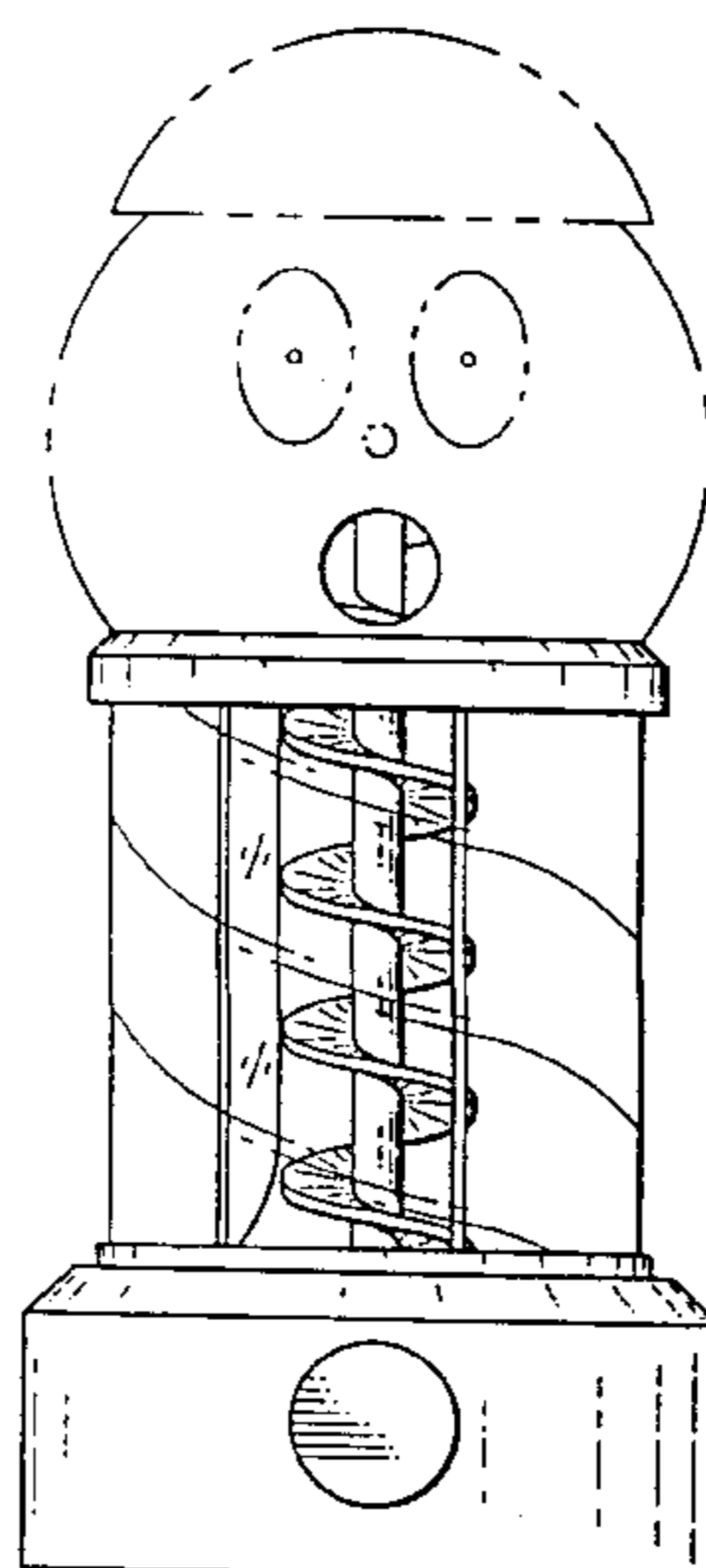
#### OTHER PUBLICATIONS

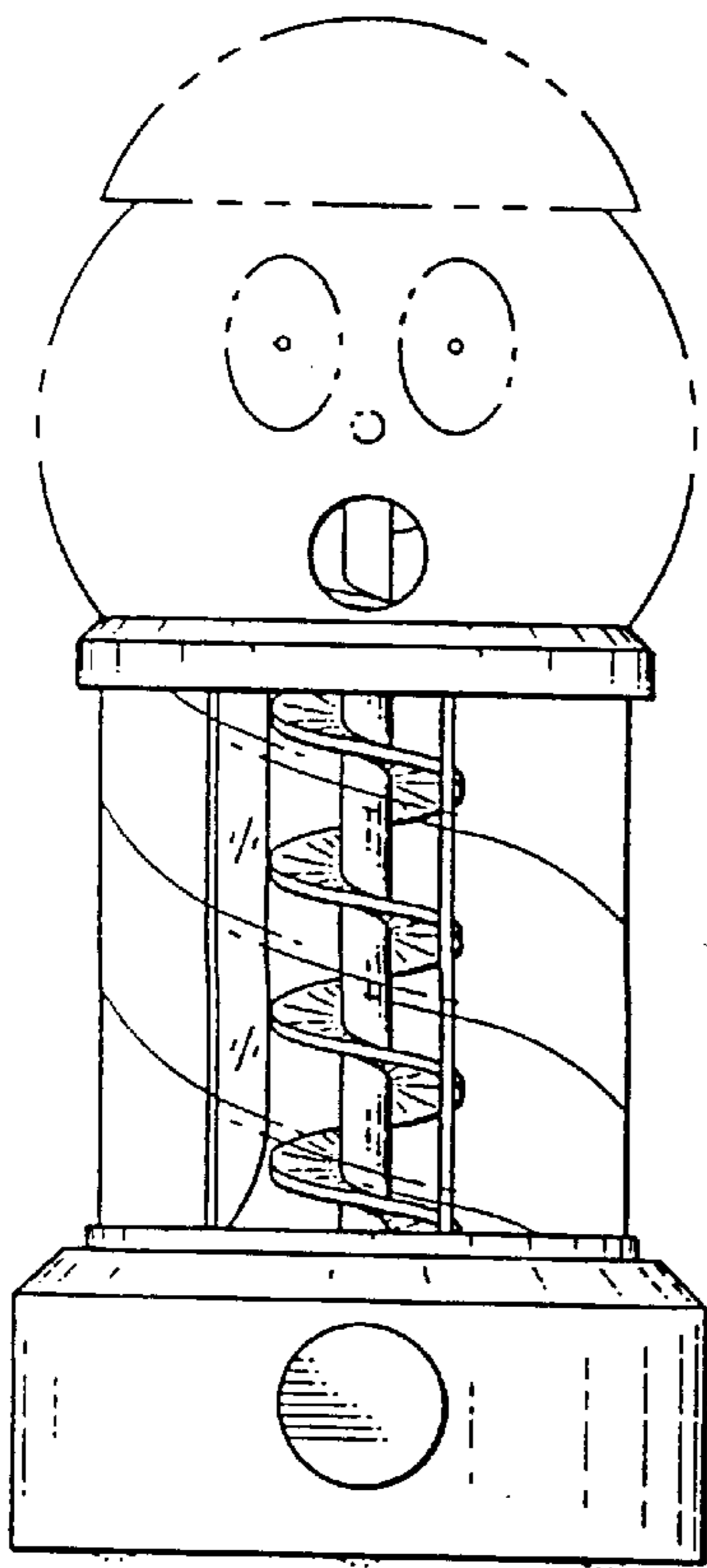
A&A Company Catalog, the Zipper gumball dispenser center, p. 14, Dec. 1995.

The broken line disclosure is for illustrative purposes only, and forms no part of the claim design.

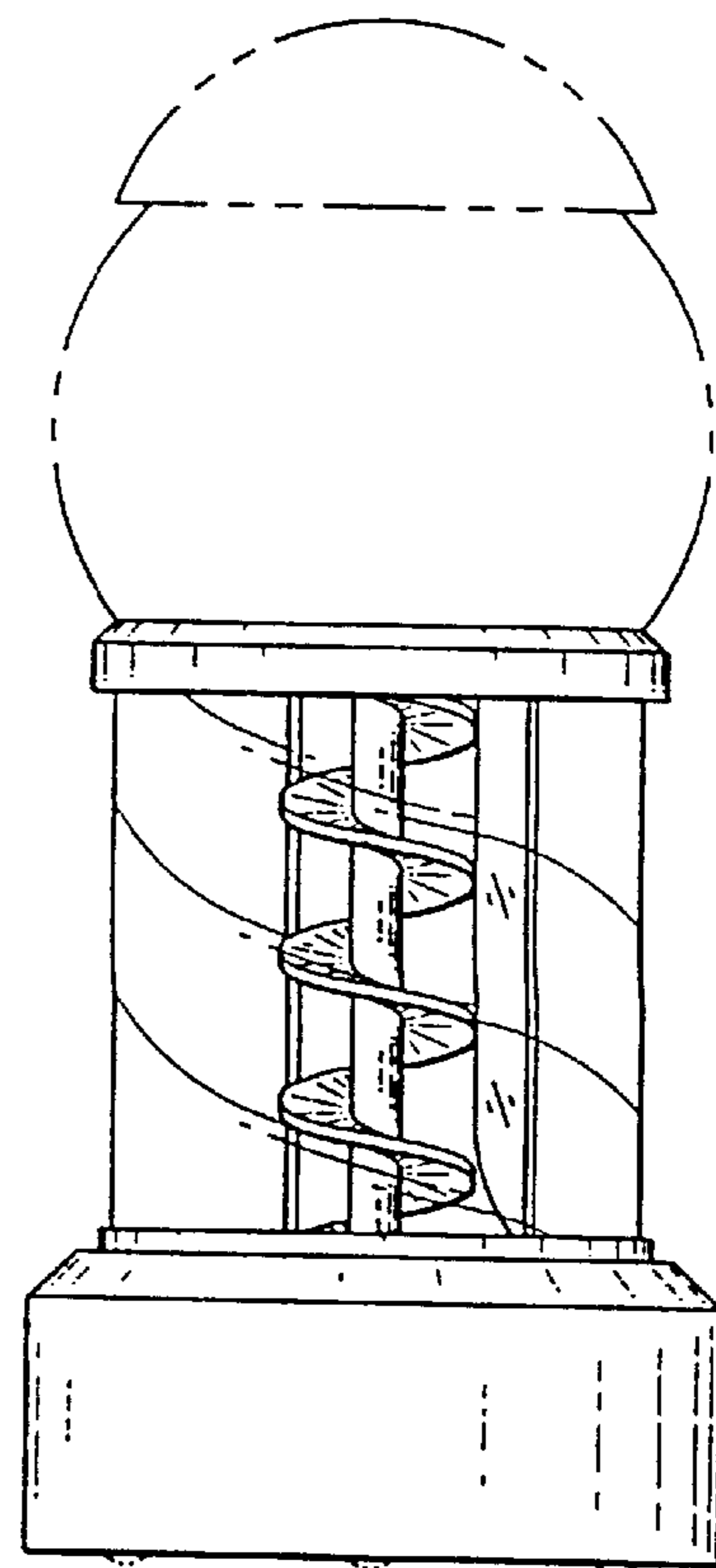
*Primary Examiner*—Sandra L. Morris

**1 Claim, 6 Drawing Sheets**

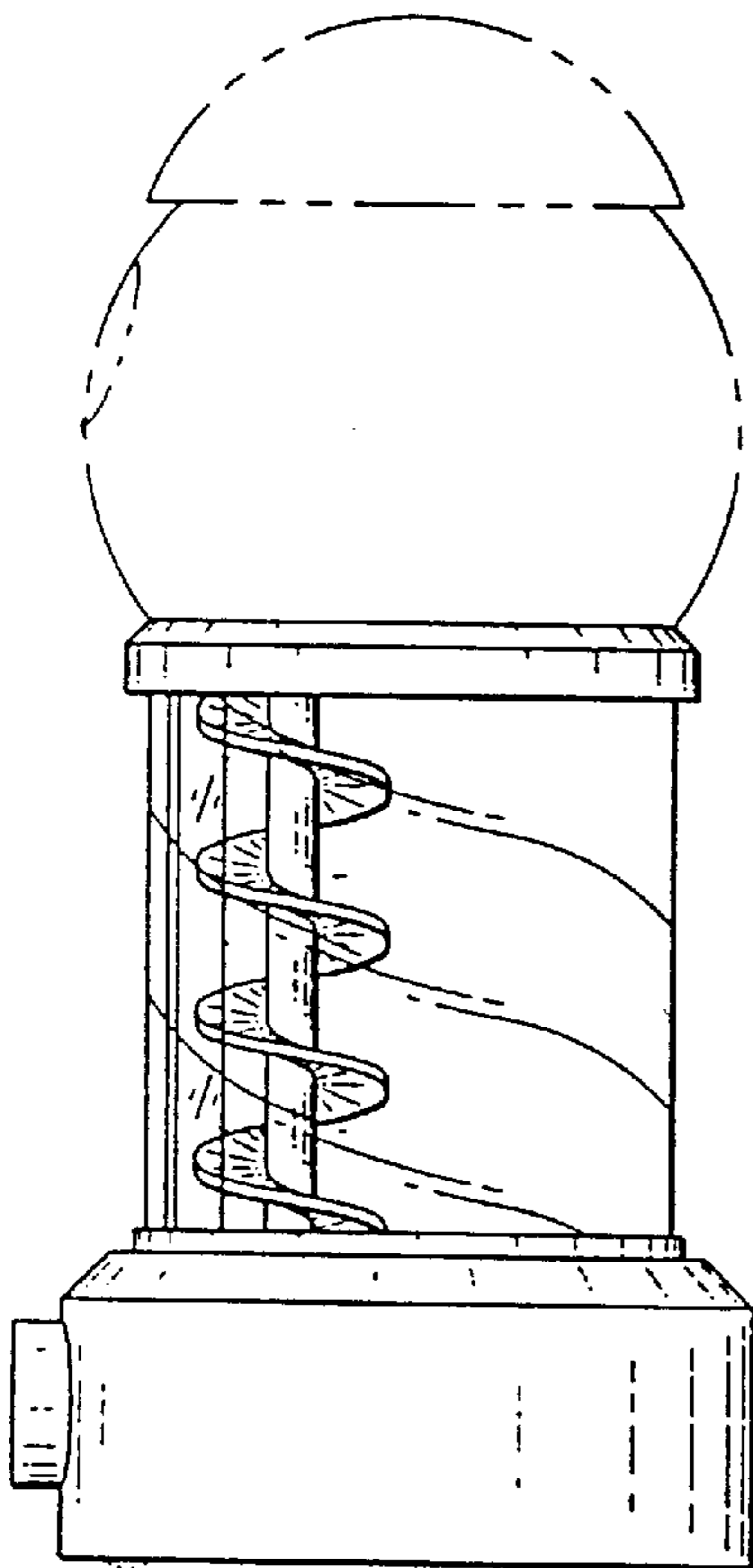




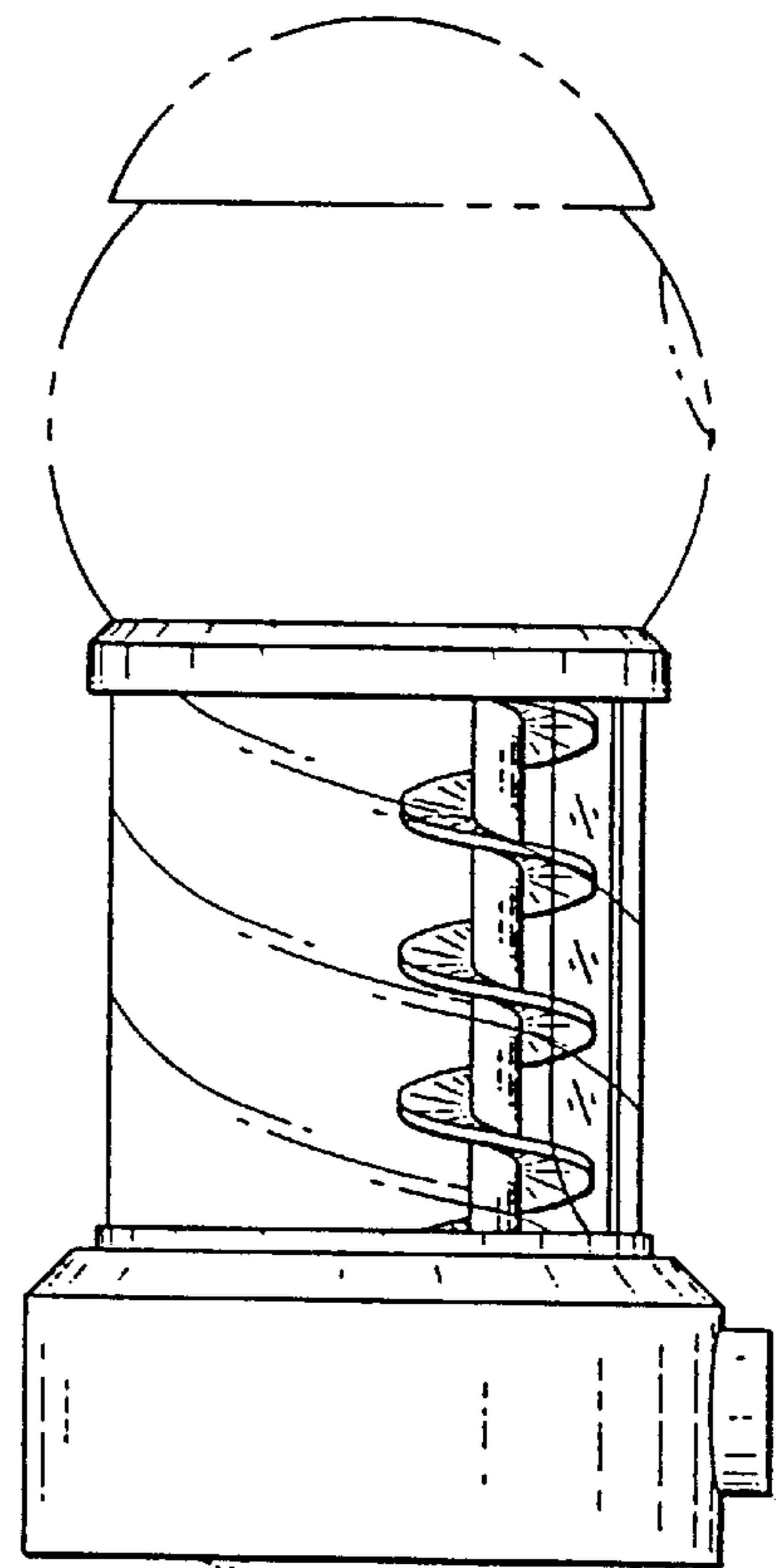
*FIG. 1*



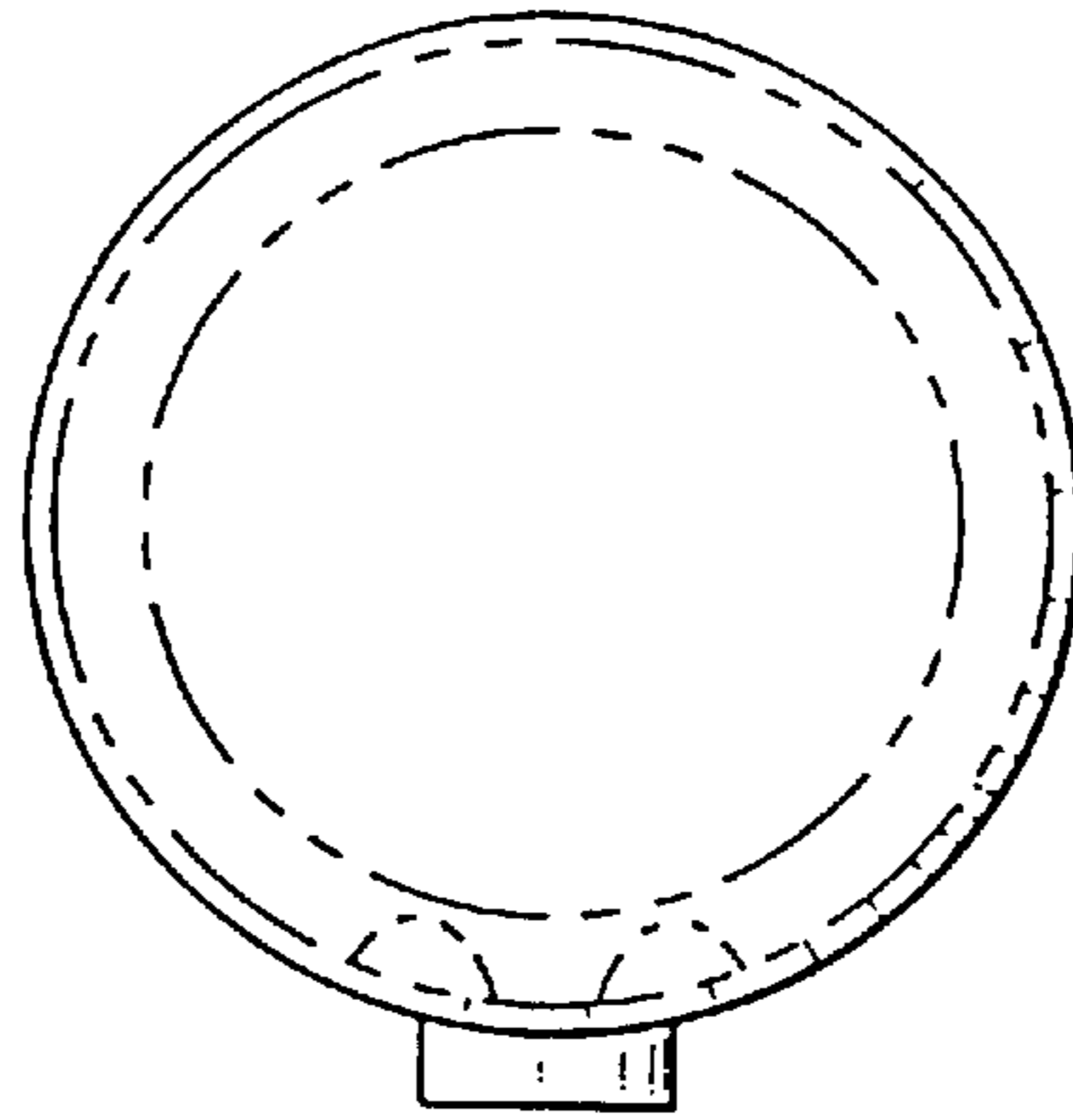
*FIG. 2*



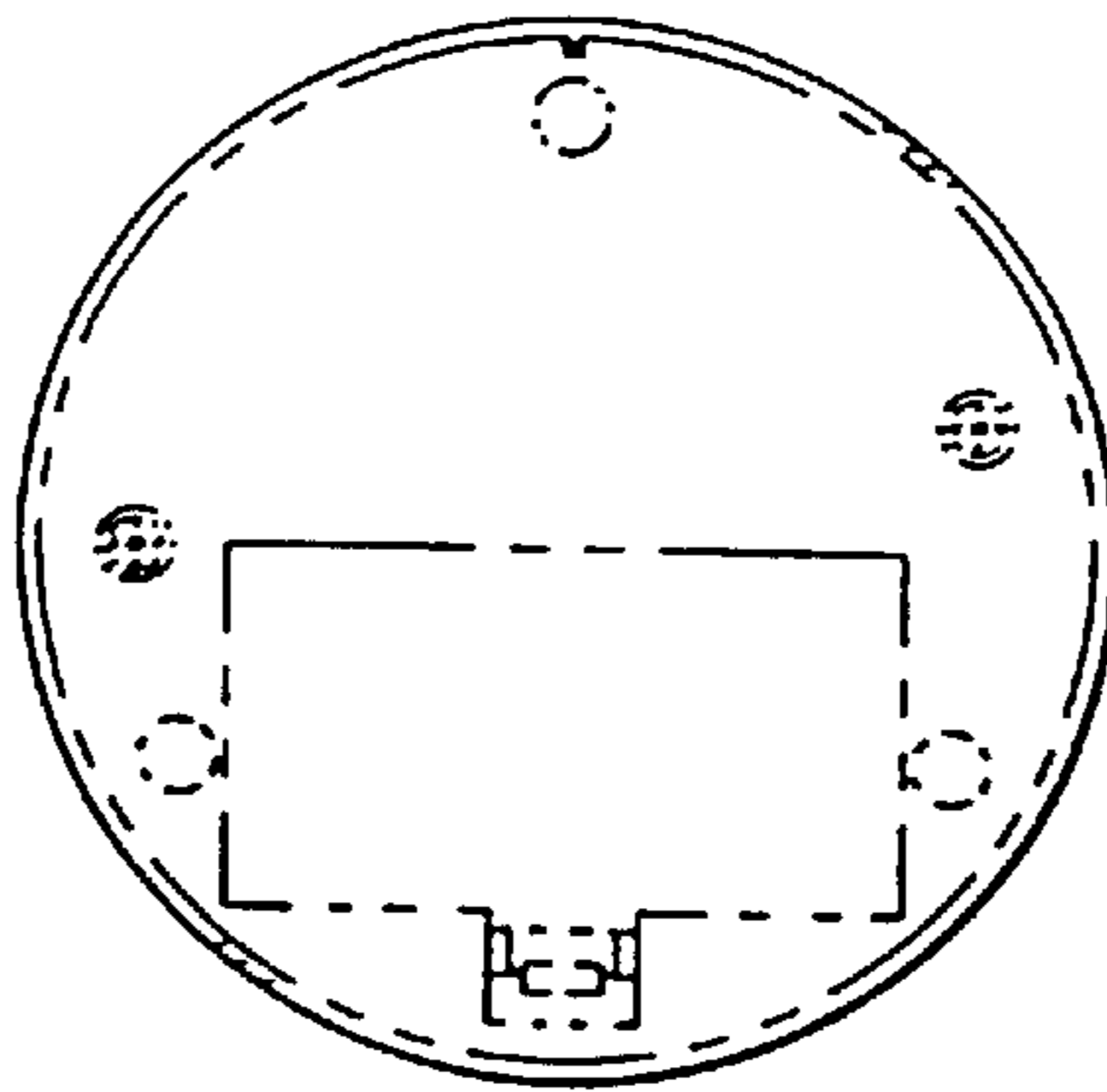
*FIG. 3*



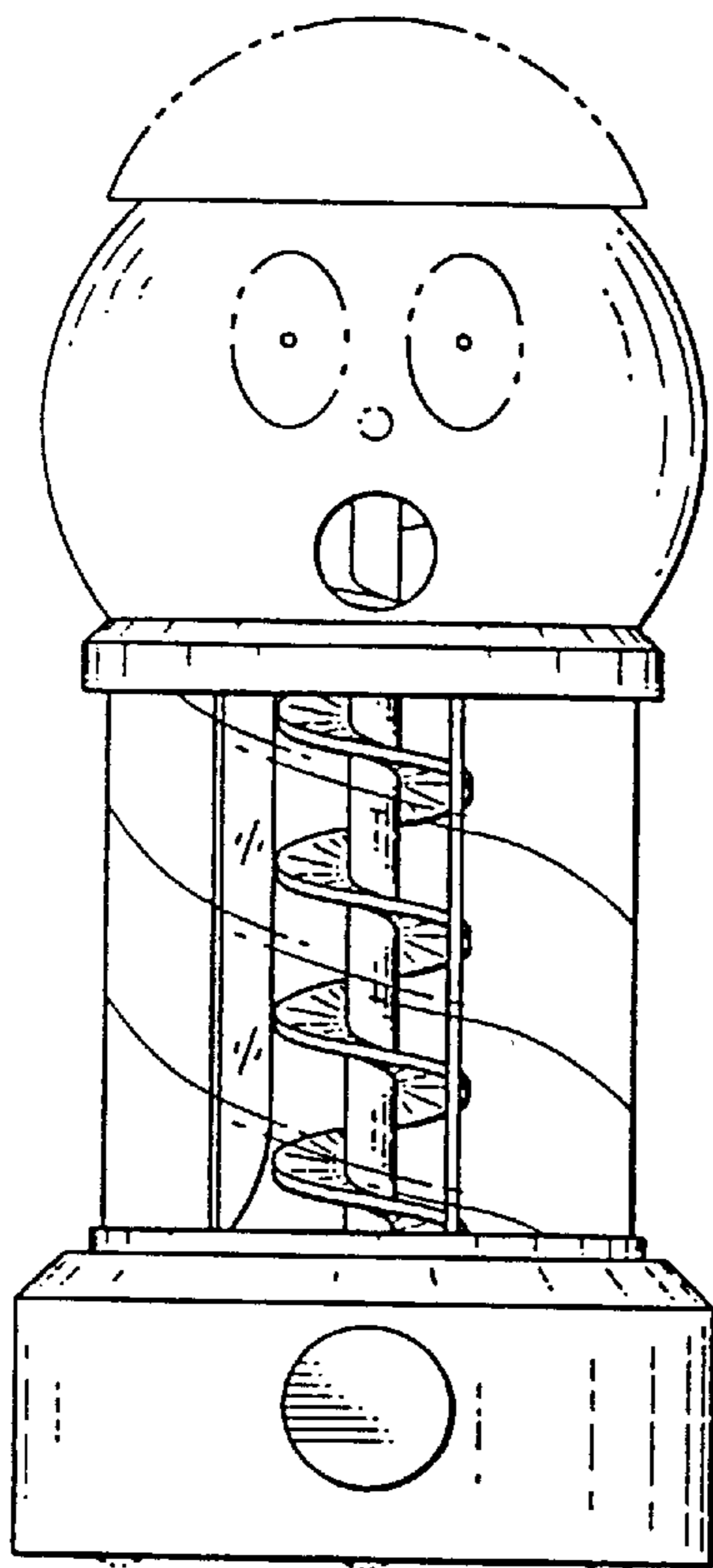
*FIG. 4*



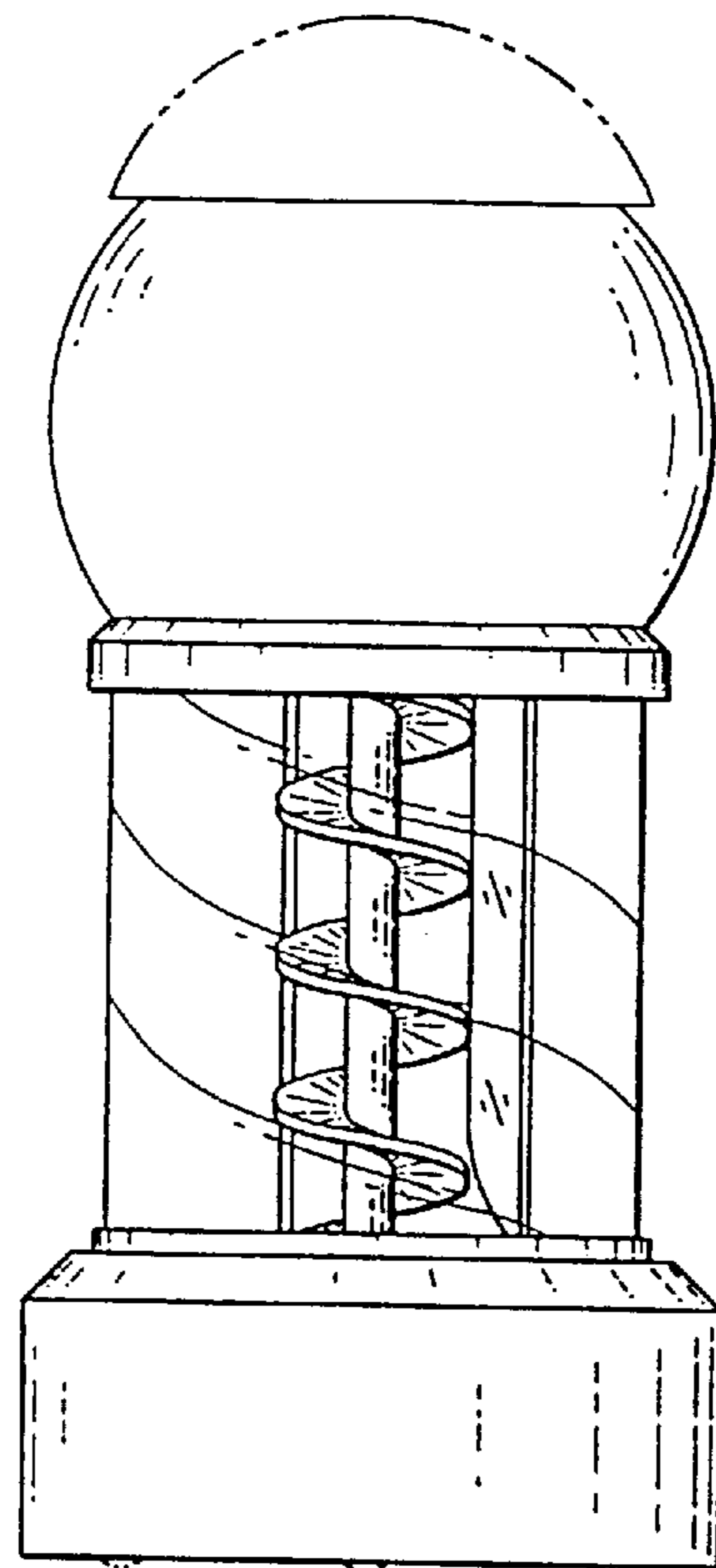
*FIG. 5*



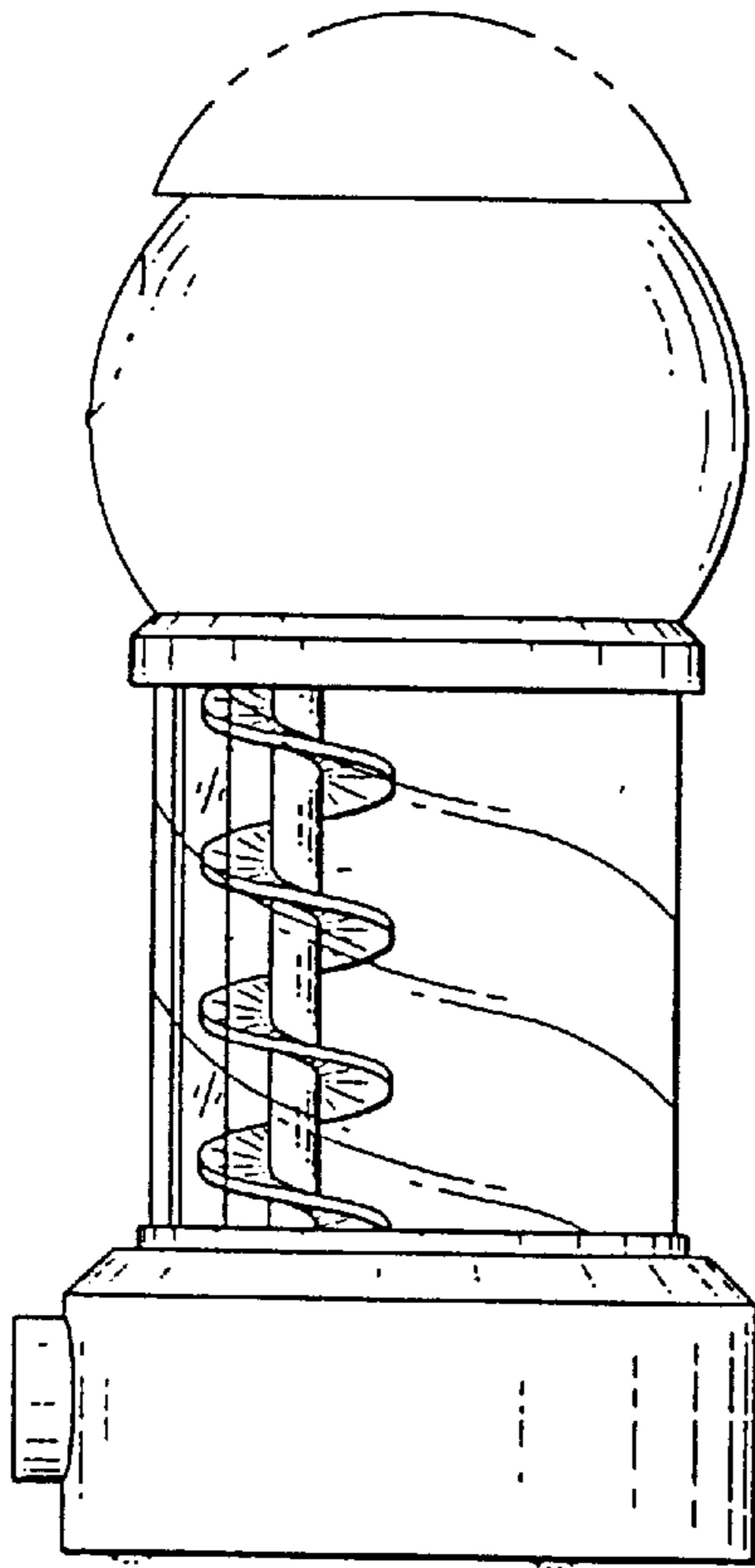
*FIG. 6*



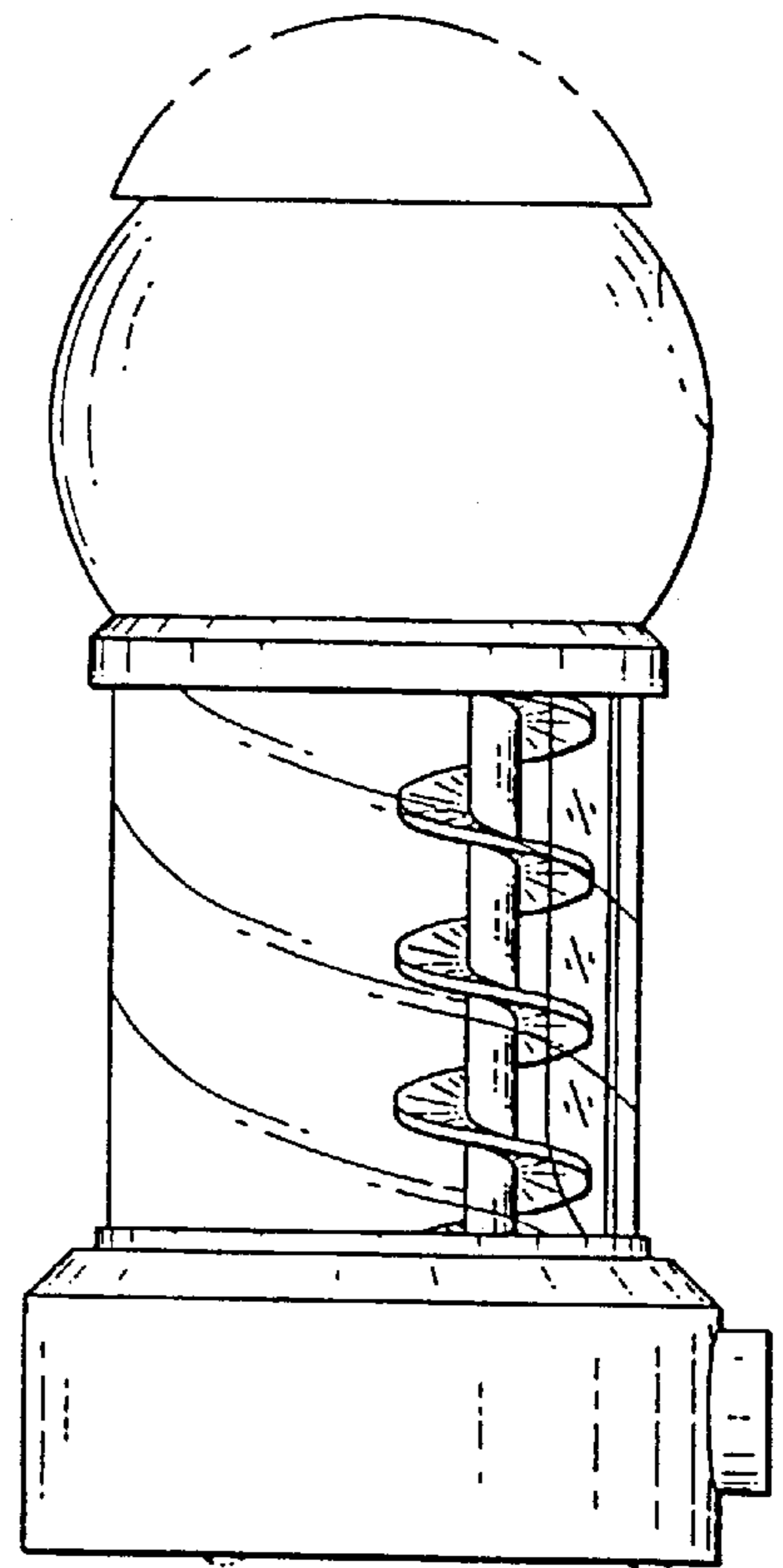
*FIG. 7*



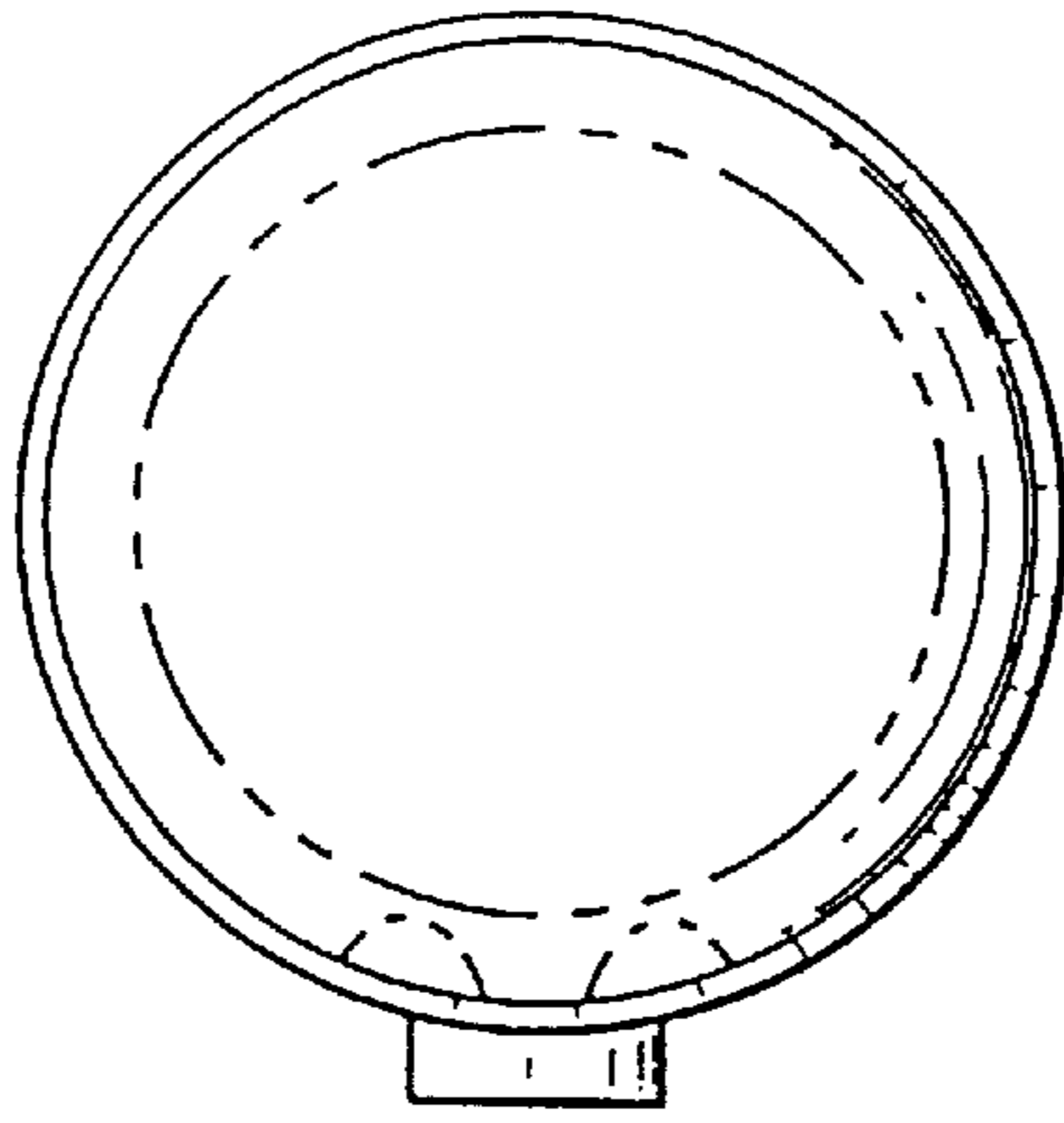
*FIG. 8*



*FIG. 9*



*FIG. 10*



*FIG. 11*