



US00D404429S

# United States Patent [19] Jack

[11] Patent Number: **Des. 404,429**

[45] Date of Patent: **\*\*Jan. 19, 1999**

[54] **MULTI-PURPOSE INFORMATION CENTER**

[75] Inventor: **Douglas M. Jack**, Fullerton, Calif.

[73] Assignee: **Day Runner, Inc.**, Fullerton, Calif.

[\*\*] Term: **14 Years**

[21] Appl. No.: **88,431**

[22] Filed: **May 22, 1998**

[51] **LOC (6) Cl.** ..... **19-06**

[52] **U.S. Cl.** ..... **D19/52; D19/36; D19/78;**  
D19/85; D20/19; D20/42; D20/553; D20/569

[58] **Field of Search** ..... D19/35, 36, 52,  
D19/65, 21-23, 77, 78, 81-85, 86, 90,  
91, 99, 100; D20/10, 19, 39, 42; D6/300,  
527, 553, 569-572; 40/1, 124.1, 124.2,  
124.4, 905, 107-120, 122; 434/430

[56] **References Cited**

**U.S. PATENT DOCUMENTS**

- D. 278,493 4/1985 Brescia et al. .... D6/570
- D. 281,704 12/1985 Deacon ..... D19/52

- D. 388,459 12/1997 Jack ..... D19/21 X
- D. 390,263 2/1998 Jack ..... D19/85 X
- D. 392,318 3/1998 Jack ..... D19/52
- D. 394,456 5/1998 Jack ..... D19/90 X
- D. 396,490 7/1998 Jack ..... D19/52
- 4,133,123 1/1979 Anderson ..... 40/1

*Primary Examiner*—Martie K. Holtje  
*Attorney, Agent, or Firm*—Pretty, Schroeder & Poplawski

[57] **CLAIM**

I claim a multi-purpose information center, as shown and described.

**DESCRIPTION**

FIG. 1 is a perspective view of the multi-purpose information center of the present invention;  
FIG. 2 is a front view thereof;  
FIG. 3 is a top view thereof;  
FIG. 4 is a bottom view thereof; and,  
FIG. 5 is a right side view thereof with the left side view being a mirror image thereof.  
The rear of the multi-purpose information center is unornamented.

**1 Claim, 3 Drawing Sheets**

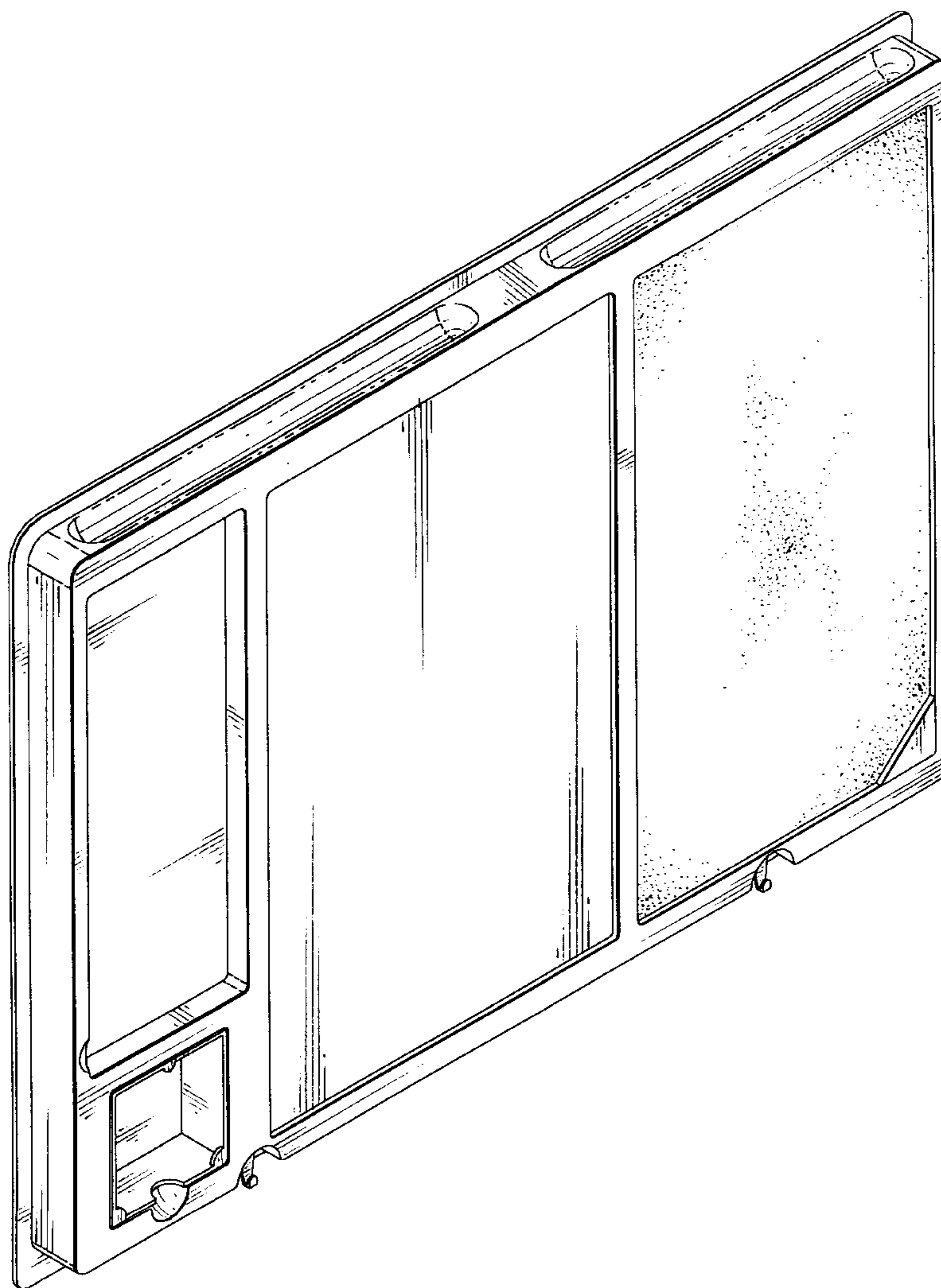
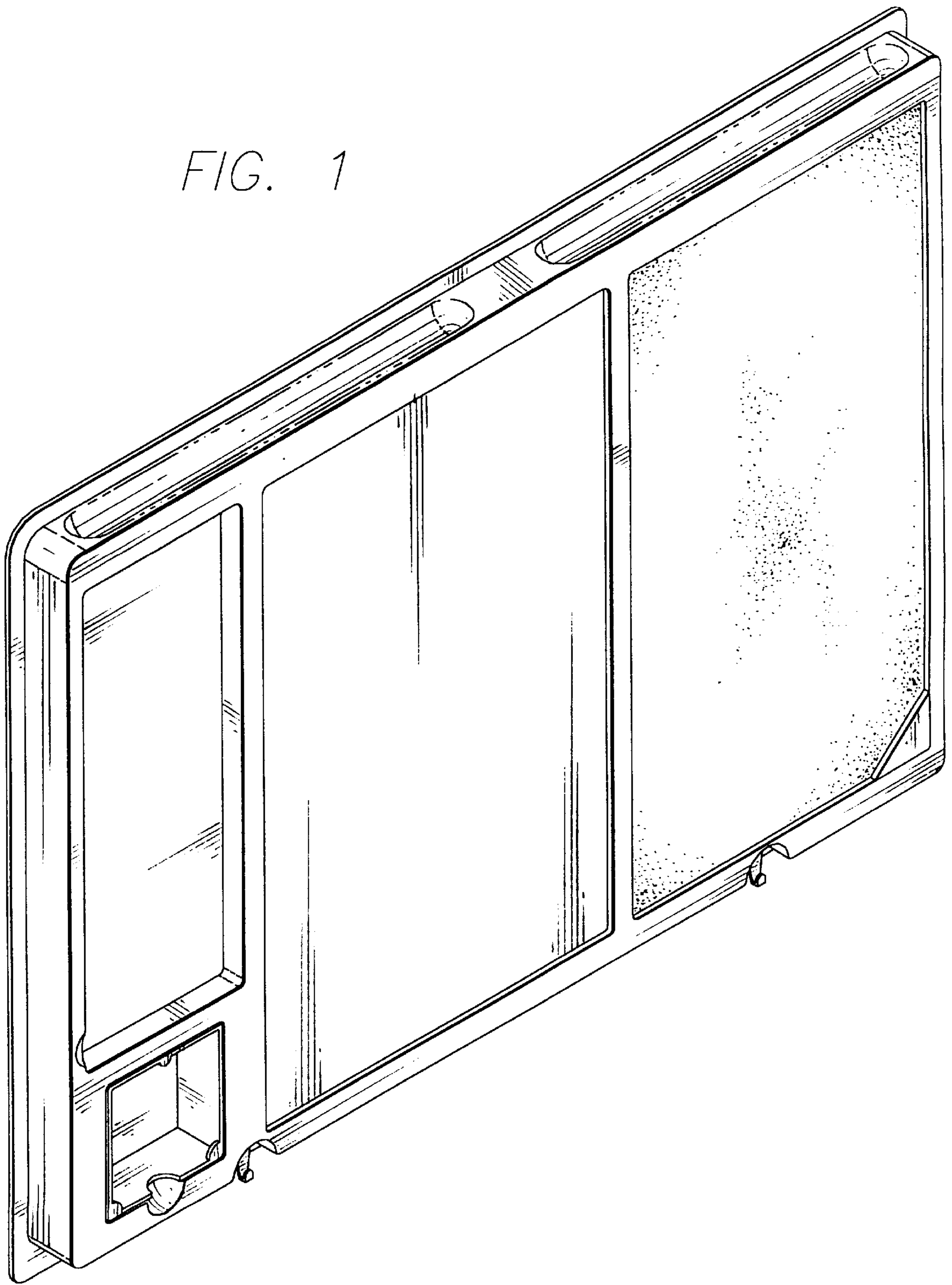


FIG. 1



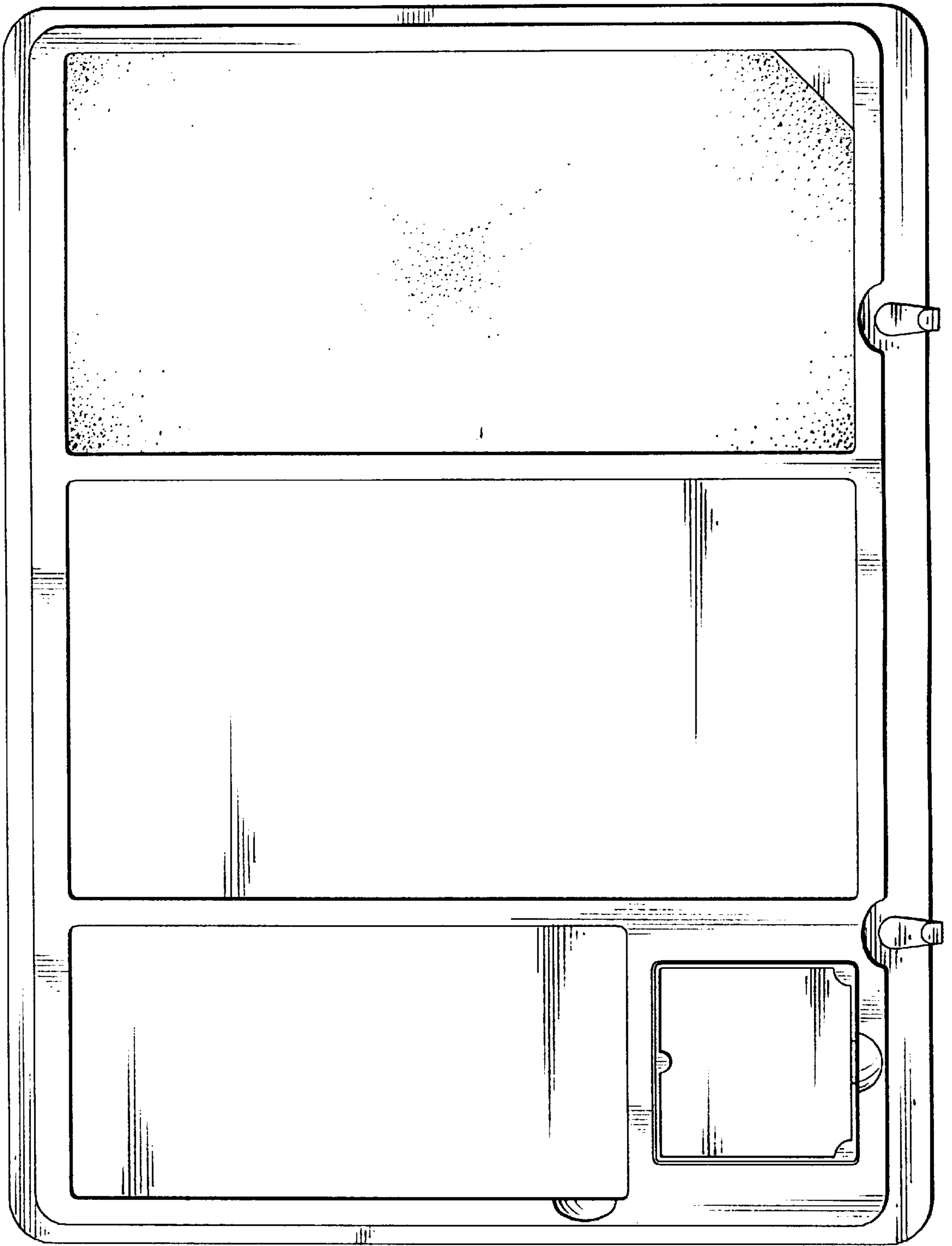


FIG. 2

FIG. 3



FIG. 5

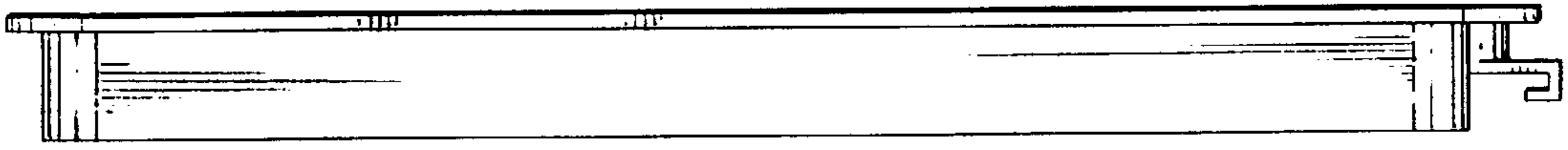


FIG. 4

