



US00D404426S

# United States Patent [19] Takanashi

[11] **Patent Number: Des. 404,426**

[45] **Date of Patent: \*\*Jan. 19, 1999**

[54] **BALL-POINT PEN**

[75] Inventor: **Kazuhiko Takanashi**, Yokohama, Japan

[73] Assignee: **Mitsubishi Pencil Co., Ltd.**, Tokyo, Japan

[\*\*] Term: **14 Years**

[21] Appl. No.: **86,917**

[22] Filed: **Apr. 23, 1998**

### [30] Foreign Application Priority Data

Nov. 19, 1997 [JP] Japan ..... 9-75385

[51] **LOC (6) Cl.** ..... **19-06**

[52] **U.S. Cl.** ..... **D19/43; D19/51; D19/48; D19/49; D19/56; D19/57**

[58] **Field of Search** ..... **D19/35, 36, 41-51, D19/54, 53, 55-58, 81-85; 401/99, 209, 243-247, 202**

### [56] References Cited

#### U.S. PATENT DOCUMENTS

- D. 155,532 10/1949 Morrison ..... D19/48
- D. 182,162 2/1958 Carreiro ..... D19/51
- D. 331,260 11/1992 Bannwart ..... D19/48 X
- D. 345,466 3/1994 Brouse ..... D19/51 X
- D. 350,771 9/1994 Kettmeir ..... D19/43 X
- D. 359,758 6/1995 Inami ..... D19/55
- D. 385,917 11/1997 Katami ..... D19/57

#### FOREIGN PATENT DOCUMENTS

- 709135 7/1987 Japan .
- 714129 10/1987 Japan .
- 753694 1/1989 Japan .
- 761604 5/1989 Japan .

- 790973-1 7/1990 Japan .
- 797444 10/1990 Japan .
- 808225 2/1991 Japan .
- 825323 12/1991 Japan .
- 836115 5/1992 Japan .
- 836555 5/1992 Japan .
- 836650 5/1992 Japan .
- 854808 12/1992 Japan .
- 895859 4/1994 Japan .
- 987496-4 9/1997 Japan .

*Primary Examiner*—Martie K. Holtje  
*Attorney, Agent, or Firm*—Foley & Lardner

### [57] CLAIM

The ornamental design for a ball-point pen, as shown and described.

### DESCRIPTION

FIG. 1 is a perspective view of a ball-point pen showing my new design;  
 FIG. 2 is a front elevational view of FIG. 1;  
 FIG. 3 is a rear elevational view of FIG. 1;  
 FIG. 4 is a right side elevational view of FIG. 1, the left side elevational view being a mirror image of the right side elevational view;  
 FIG. 5 is a top plan view of FIG. 1;  
 FIG. 6 is a bottom plan view of FIG. 1;  
 FIG. 7 is a front elevational view of the body with the cap removed for convenience of illustration;  
 FIG. 8 is a right side elevational view of the body with the cap removed for convenience of illustration;  
 FIG. 9 is a top plan view of the body with the cap removed for convenience of illustration; and,  
 FIG. 10 is a bottom plan view of the cap with the body removed for the convenience of illustration.

**1 Claim, 2 Drawing Sheets**

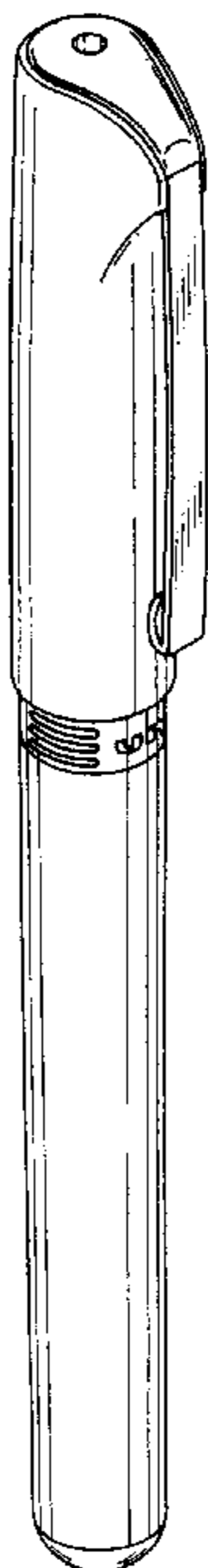


Fig.1

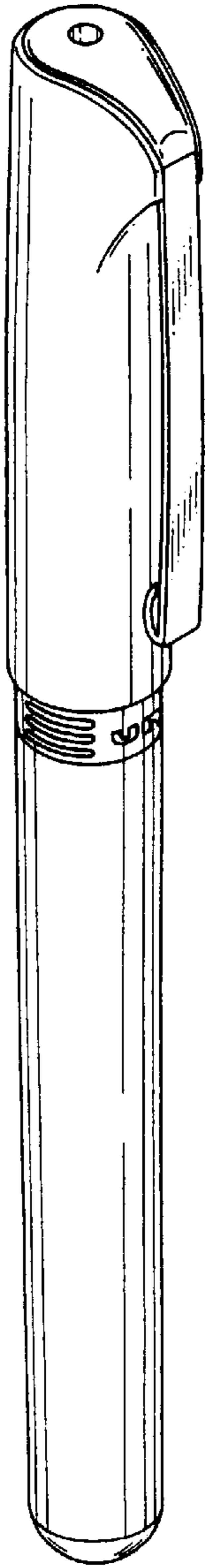


Fig.2

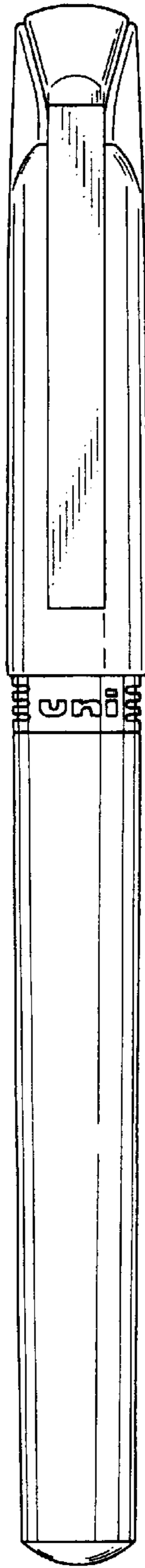


Fig.3

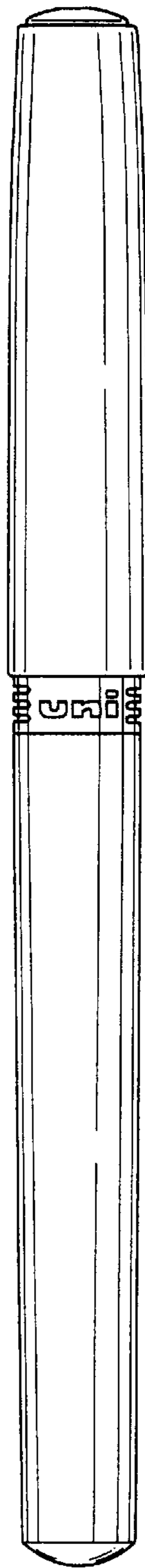


Fig.4

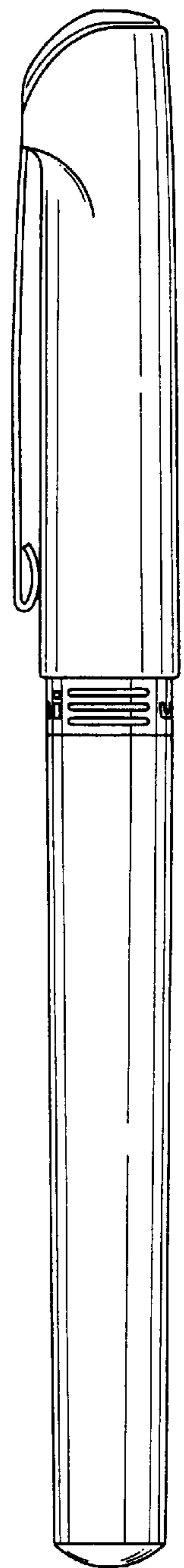


Fig. 5

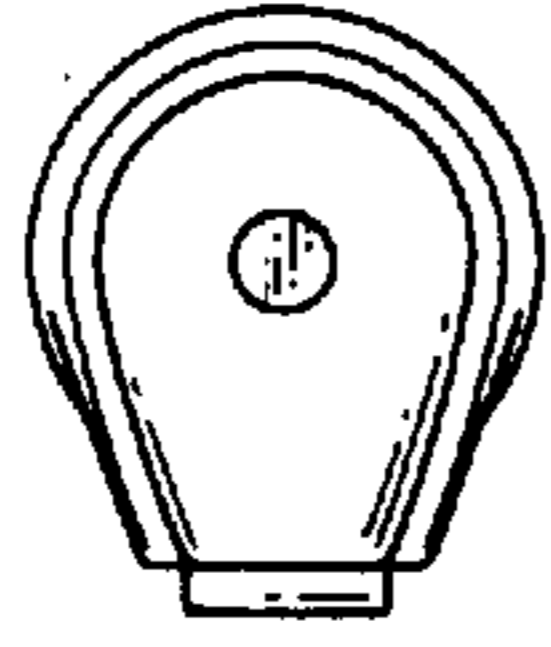


Fig. 7

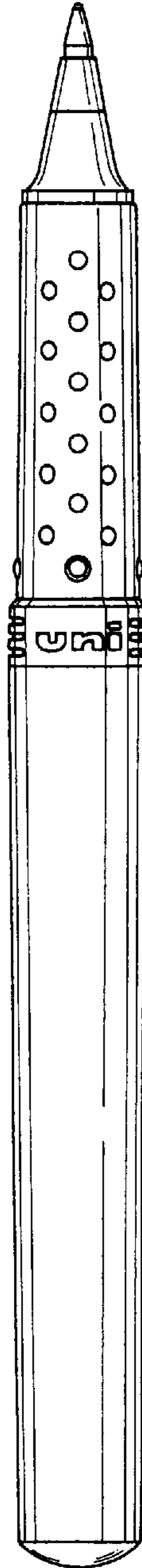


Fig. 8

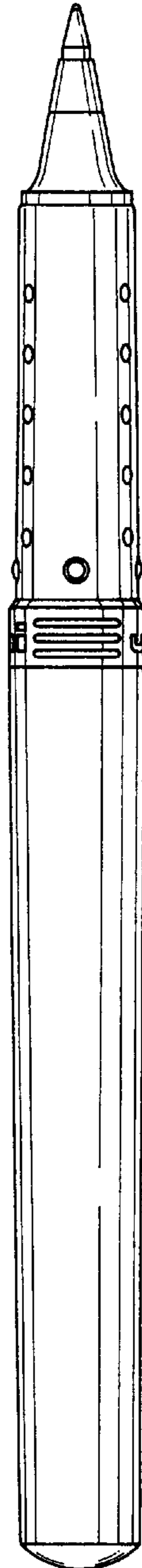


Fig. 6

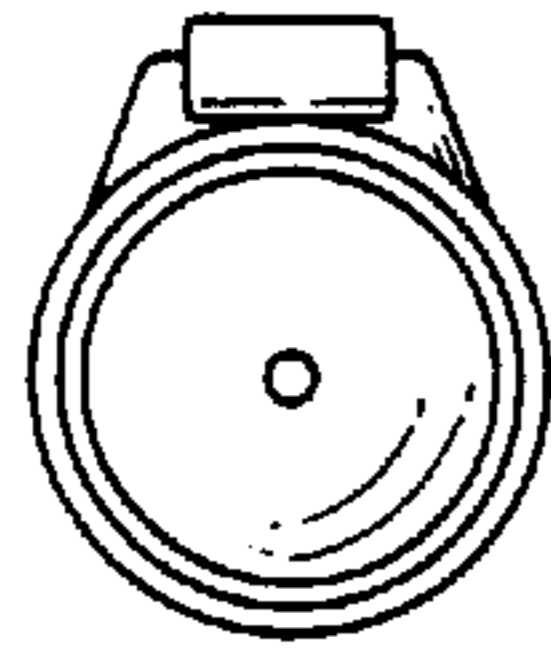


Fig. 9

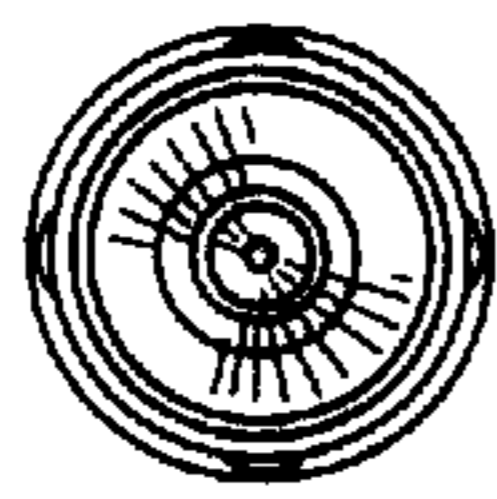


Fig. 10

