

US00D404425S

United States Patent [19] Suzuki

[11] **Patent Number: Des. 404,425**

[45] **Date of Patent: **Jan. 19, 1999**

[54] **MARKING PEN**

[75] Inventor: **Kazuhiko Suzuki**, Kawasaki, Japan

[73] Assignee: **Tombow Pencil Co., Ltd.**, Tokyo, Japan

[**] Term: **14 Years**

[21] Appl. No.: **83,346**

[22] Filed: **Feb. 6, 1998**

[30] **Foreign Application Priority Data**

Aug. 8, 1997 [JP] Japan 9-64260

[51] **LOC (6) Cl.** **19-06**

[52] **U.S. Cl.** **D19/43; D19/48; D19/51; D19/56; D19/57**

[58] **Field of Search** **D19/35, 36, 41-51, D19/53-58, 81-85; 401/198, 202, 261, 262, 243-247**

[56] **References Cited**

U.S. PATENT DOCUMENTS

- D. 151,233 10/1948 Goessling D19/36
- D. 162,805 4/1951 Ferber D19/48
- D. 169,307 4/1953 Ferber D19/48
- D. 338,038 8/1993 Oka et al. D19/48
- D. 340,476 10/1993 Hiromori D19/43 X
- D. 366,498 1/1996 Abe et al. D19/50 X

- D. 393,485 4/1998 Bussiere et al. D19/51
- D. 394,457 5/1998 Izushima D19/57

Primary Examiner—Martie K. Holtje
Attorney, Agent, or Firm—Baker, Donelson, Bearman & Caldwell

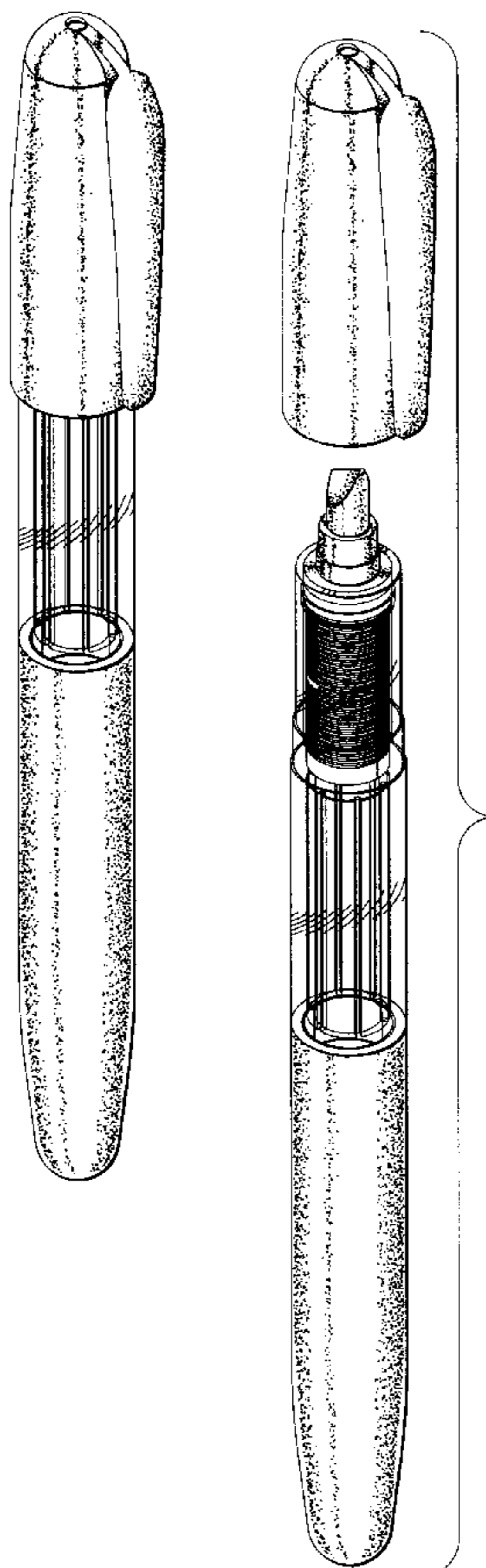
[57] **CLAIM**

The ornamental design for a marking pen, as shown and described.

DESCRIPTION

FIG. 1 is a perspective view of a marking pen showing my new design;
 FIG. 2 is a front view thereof;
 FIG. 3 is a right side view thereof, with the left side view being a mirror image thereof;
 FIG. 4 is a rear view thereof;
 FIG. 5 is a top view thereof;
 FIG. 6 is a bottom view thereof;
 FIG. 7 is a perspective view of the marking pen shown in FIG. 1 with the end cap removed therefrom;
 FIG. 8 is a front view thereof;
 FIG. 9 is a right side view thereof, with the left side view being a mirror image thereof;
 FIG. 10 is a rear view thereof;
 FIG. 11 is a top view thereof; and,
 FIG. 12 is a bottom view thereof.

1 Claim, 4 Drawing Sheets



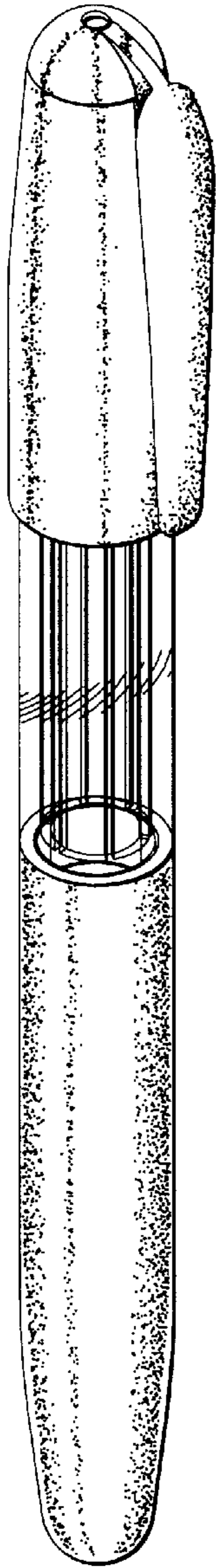


FIG 1

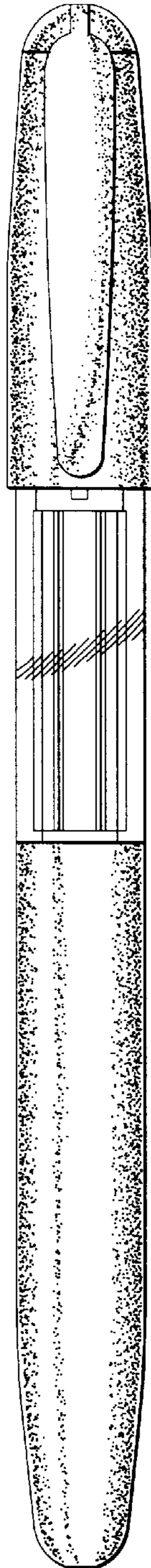


FIG 2

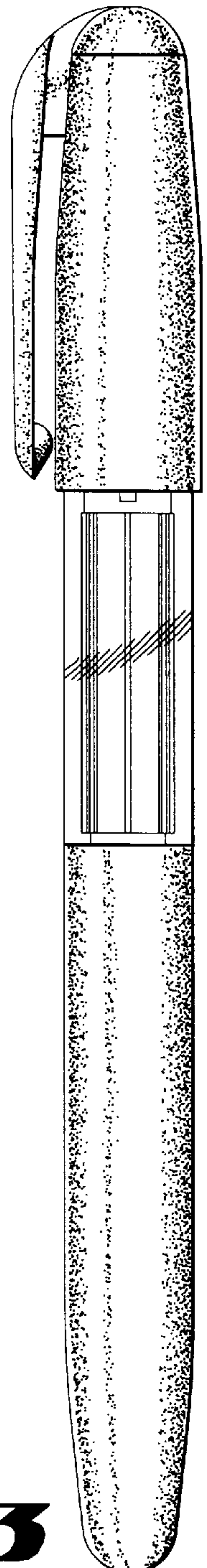


FIG 3

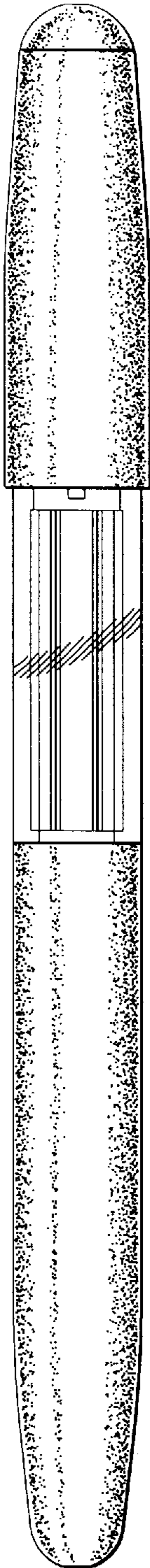


FIG 4

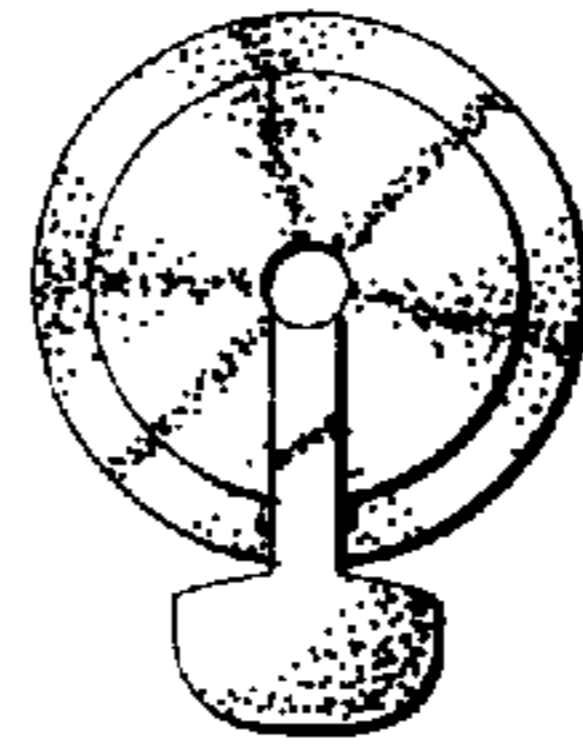


FIG 5

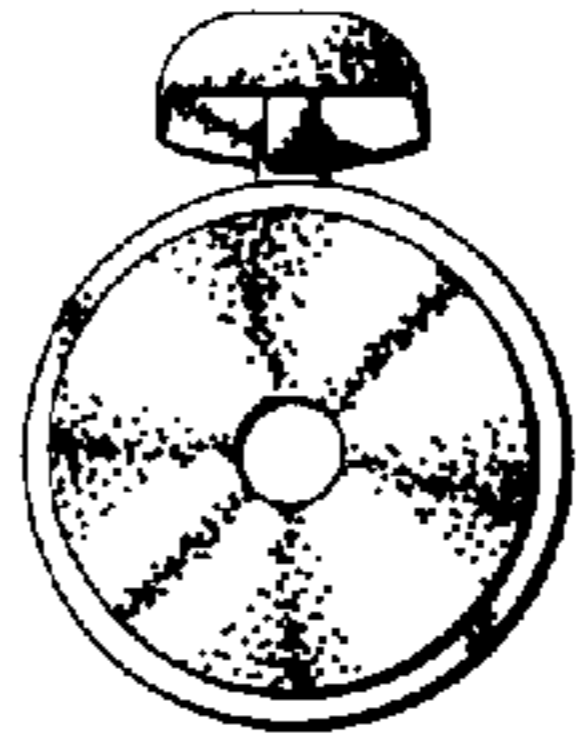


FIG 6

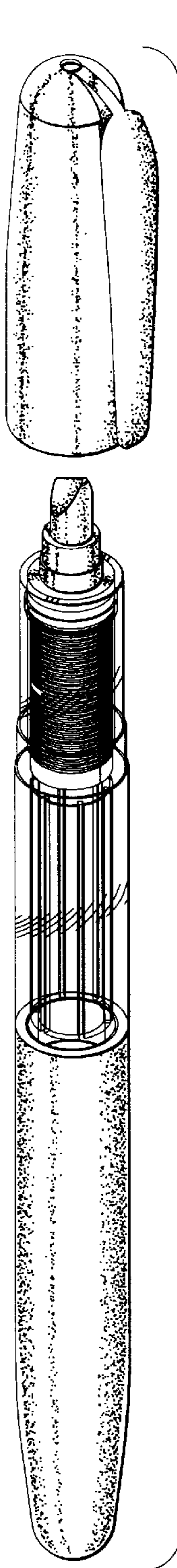


FIG 7

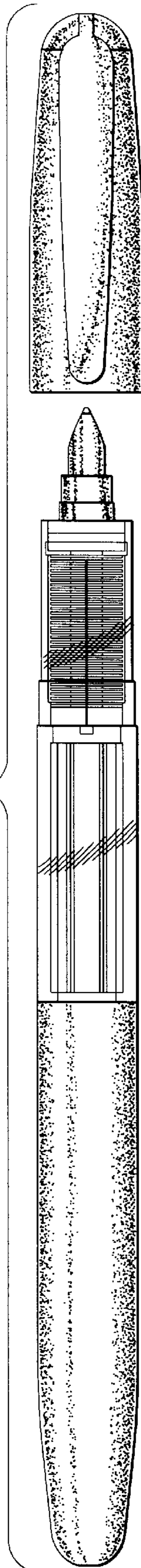


FIG 8

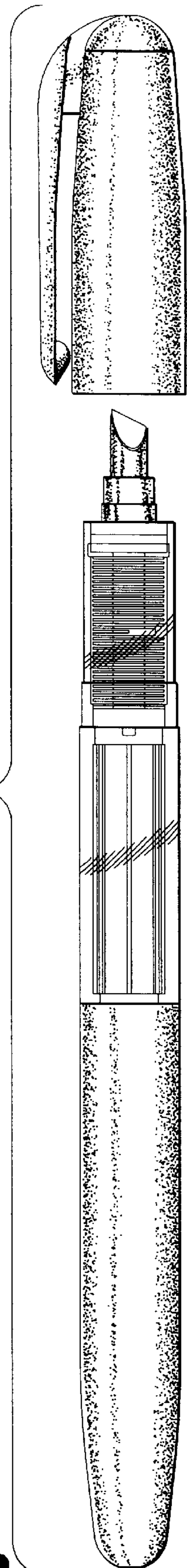


FIG 9

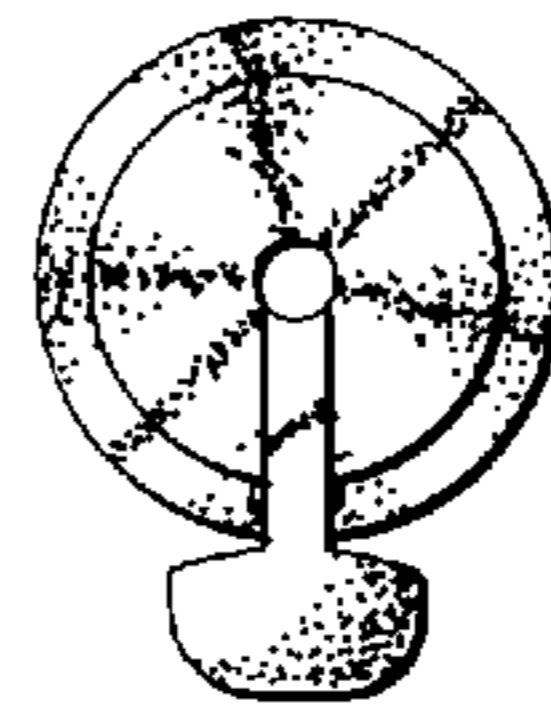
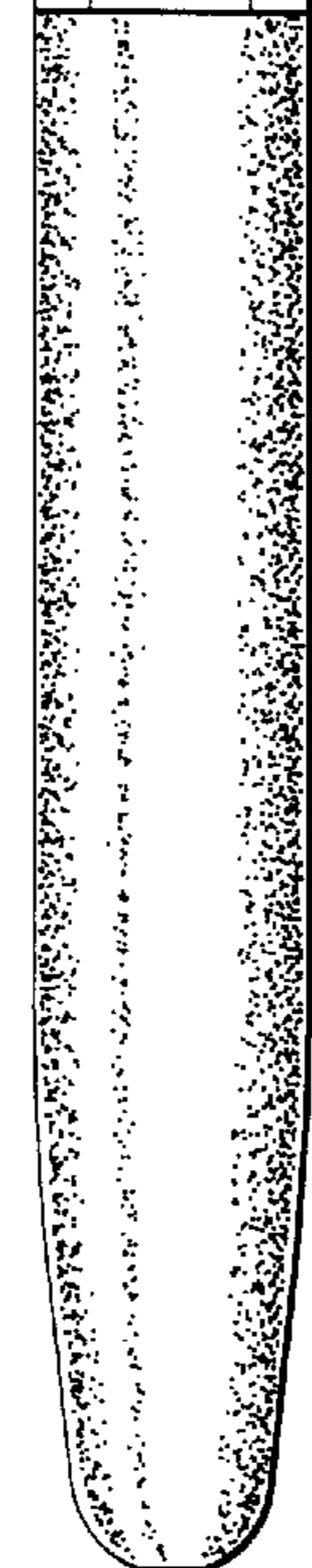
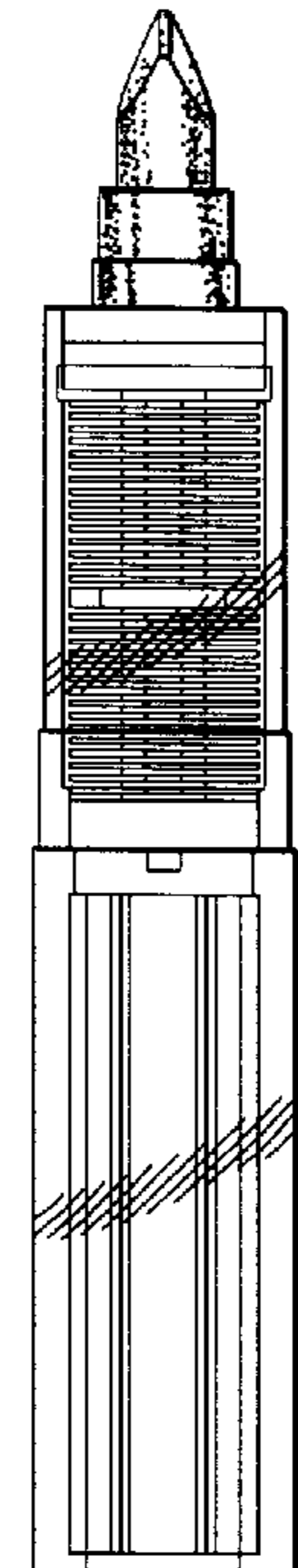
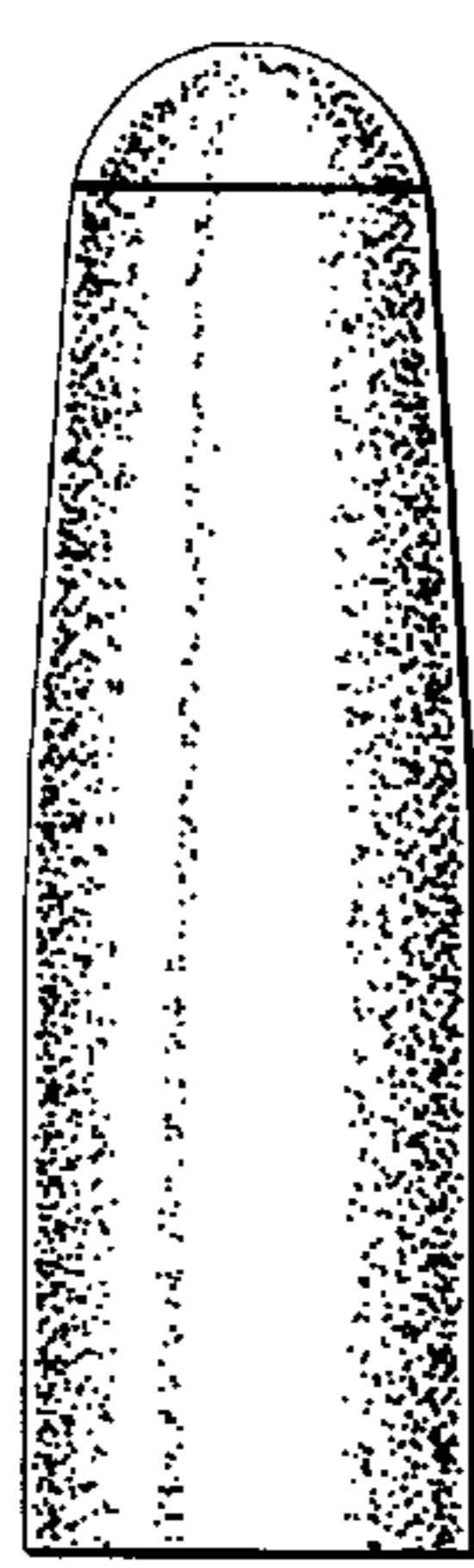


FIG 11

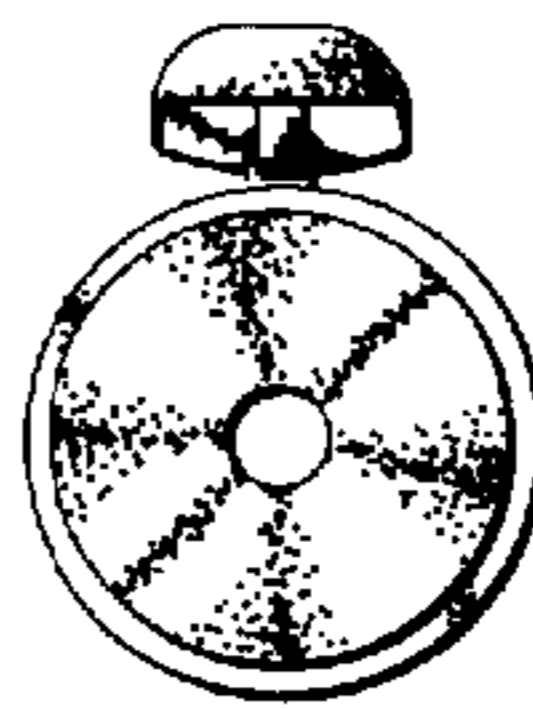


FIG 12

FIG 10